



Project _____
 AIA # _____ SIS # _____
 Item # _____ Quantity _____ C.S.I. Section 114000



HTi

Self-Service Scale with Large Elevated Display



SPECIFIER STATEMENT

Self-serve HTi scales include a large elevated display, dual-core processor and Linux operating system. HT scales weigh, automatically compute a price from stored PLU's, and print a label. The HT scales utilize Hobart's patented, three screen swipe technology user interface for operator ease of use. Scales on the same network may connect remotely to other scales for a HWS (Hand Wrap Station) or other applications.

The free-standing pedestal and bowl are optional accessories for the self-service scale.

MODELS

Model	Feature	Operating System	Available Storage
<input type="checkbox"/> HTi-SSLS	None	Linux	4 GB
<input type="checkbox"/> HTi-SSLSB	Barcode Scanner	Linux	4 GB

*Contact Hobart for optional free-standing pedestal and bowl


STANDARD FEATURES

- + Large elevated 14" touch screen display
- + Intuitive and customizable graphical user interface
- + Built-in wireless and wired Ethernet standard
- + Best seller keys
- + Search by image, description or PLU number
- + COOL (country of origin labeling)
- + UPC, EAN 13, EAN 128 Barcodes and GS1 DataBar
- + Onscreen keypad
- + Cassette label loading system provides fast and efficient change of label stock.
- + Meets federal labeling requirements
- + Remotely access the scale using Hobart specific software
- + Goes back to home page when not used for 30 seconds
- + Onscreen prompts for ease of use
- + Optional free-standing pedestal and bowl for self-serve scale

TYPICAL LOCATIONS

- + Bagel kiosk
- + Bulk candy
- + Bulk cookies
- + Bulk hardware
- + Donut kiosk
- + Salad bar
- + Bakery – by each
- + Bulk coffee
- + Bulk foods
- + Bulk pet foods produce

SOFTWARE

- + Linux embedded operating system 
- + Interfaces with scale management software such as:
 - Invatron's PLUM
 - ADC's Interscale
 - Genesis Software
 - Data GateWeigh
 - HCT
 - Hobart HTe software
 - Content management
 - Label editing
 - Remote updates

HT SCALE SERIES – HTi SELF-SERVICE SCALE WITH LARGE ELEVATED DISPLAY

Approved by _____ Date _____ Approved by _____ Date _____



TECHNICAL SPECIFICATIONS

- + 14" touch screen display - WSVGA TFT LCD, LED backlit, 5 wire resistive type
- + Dual-core processor
- + 1GB DDR3 RAM memory
- + 8GB micro SD for storage
- + Both 802.3 10/100 Mbps Ethernet and 802.11 a/b/g/n wireless out of box
- + Bluetooth 2.1 optional
- + High resolution thermal printhead for detailed graphics (store logos) and smaller bar codes – 203 dpi (8 dots per mm)
- + Accepted labels:
 - 1.5" and 2.25" width
 - 1" to 9.5" length die cut labels
 - Continuous labels
 - Oval labels

SPECIFICATIONS

Platter: 14" wide x 15" deep

Weigher Capacity:

0 lb. - 12 lb. x 0.005 (0 - 6 kg x .002 kg)

12 lb. - 30 lb. x 0.01 (0 - 15 kg x .005 kg)

Pricing Capacity: Up to 999.99 in steps of .01

Electrical: 100-240 volts, 50-60 Hz, single phase, 1.42 amps, 170 watts max. 9 foot standard cord cap with ground type plug furnished.

Media Support: MPEG4, AAC, AVC/H.264

Weights and Measures Certification:

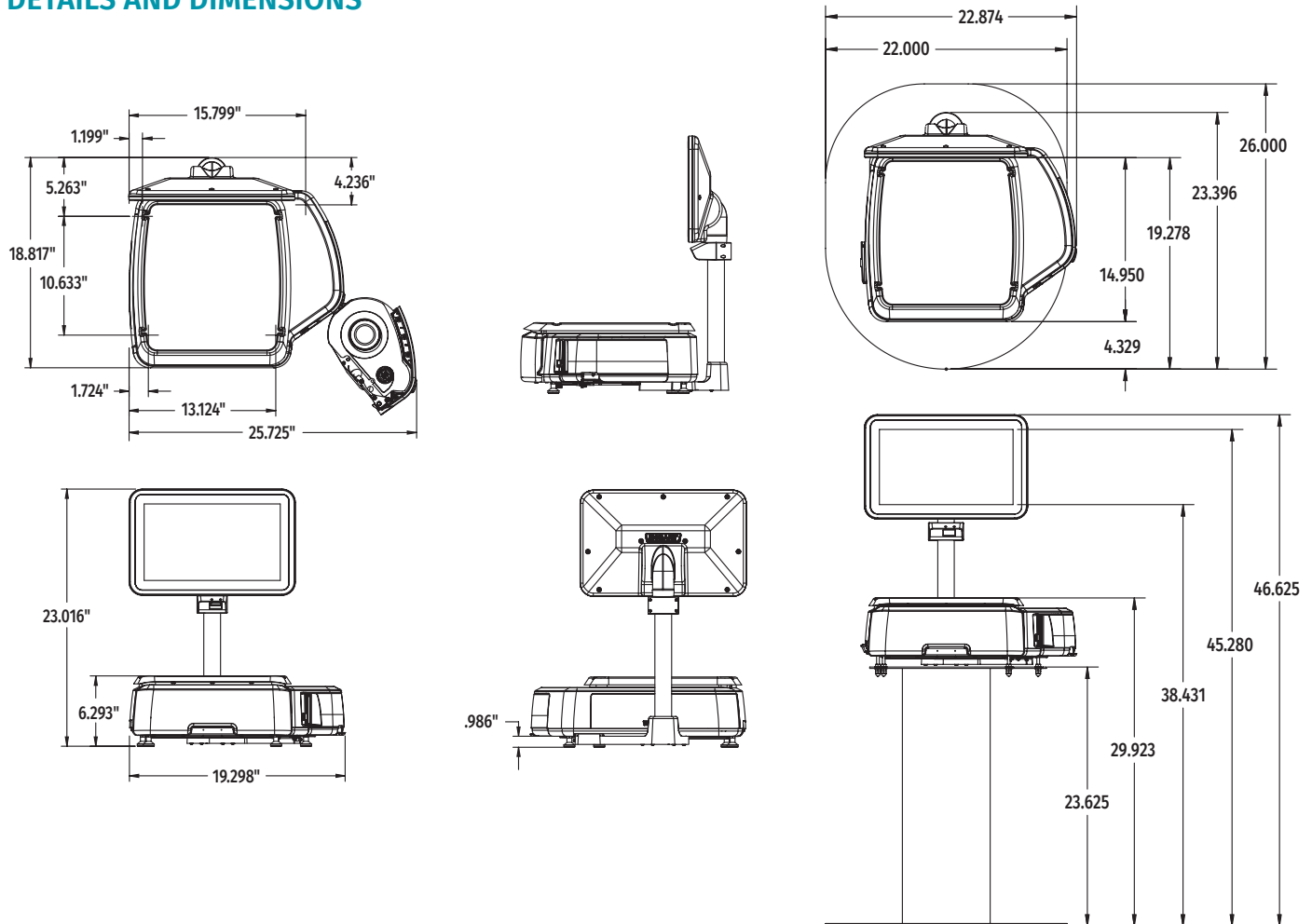
+ USA Certification – 13-101

+ Canada Certification – AM-5927C

Environment: Operating temperature limits are 14°F (-10°C) to 104°F (40°C) ambient. Scale operates satisfactorily in relative humidity of 10 to 85%.

Shipping Weight: 50 lbs. (est).

DETAILS AND DIMENSIONS



As continued product improvement is a policy of Hobart, specifications are subject to change without notice.