



Project \_\_\_\_\_  
 AIA # \_\_\_\_\_ SIS # \_\_\_\_\_  
 Item # \_\_\_\_\_ Quantity \_\_\_\_\_ C.S.I. Section 114000



## HCM61 Bowl-Style Food Processor



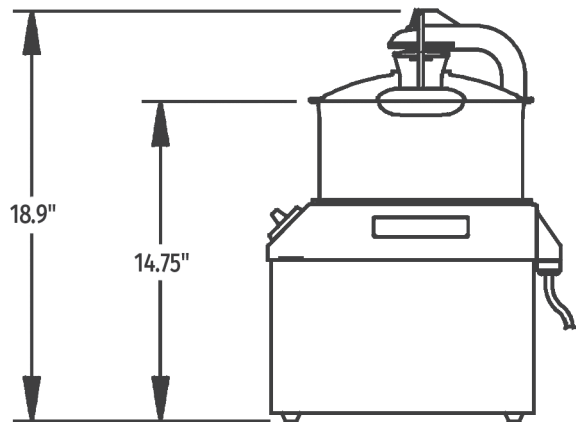
### MODEL

**HCM61** Bowl-Style Food Processor

### STANDARD FEATURES

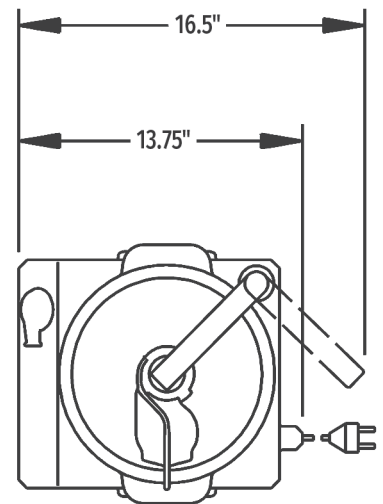
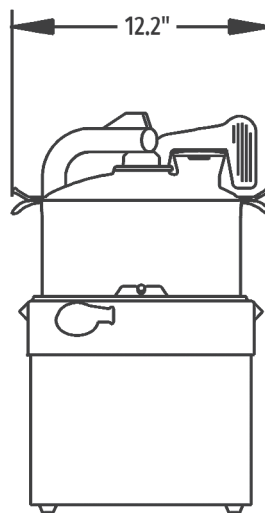
- + 1.5 HP direct drive motor
- + Patented bowl scraper with integrated lid wiping system
- + Durable Xylex cover with bowl gasket
- + Hobart COOLCUTTER knives
- + Triple interlock system
- + User friendly controls
- + Compact design
- + Anodized aluminum base with powder coated top cover

**HCM61 BOWL-STYLE FOOD PROCESSOR**



### SPECIFIER STATEMENT

Specified unit will be an NSF rated, 6-quart, single speed Hobart bowl-style food processor with user-friendly controls and a compact design. Food processor has a patented bowl scraper with integrated lid wiping system, a durable Xylex cover with bowl gasket, triple interlock system, and an anodized aluminum base with powder coated top cover. Hobart COOLCUTTER knives cut through more product in less time and are ideal for emulsifying and pureeing foods.



[CAD and/or Revit Files Available](#)

Approved by \_\_\_\_\_ Date \_\_\_\_\_ Approved by \_\_\_\_\_ Date \_\_\_\_\_



## SOLUTIONS / BENEFITS

### PERFORMANCE

#### 1.5 HP Direct-Drive Motor

- + Prevents stalling and slipping

#### COOLCUTTER Knives

- + Hobart exclusive knives increase productivity and product consistency while minimizing product temperature rise
- + Two stainless steel serrated knives and two stainless steel turning knives force product into cutting knives resulting in reduced processing time

#### 1725 RPM Knife Speed

- + Ideal speed for emulsifying and pureeing foods

#### Compact Design

- + Occupies minimal counter space
- + Handles are molded on both sides of housing to move unit easily

### EASE OF USE

#### Xylex Cover with Bowl Gasket

- + See-through design allows continuous view of product
- + Large tube feed makes it easier to add ingredients

#### User Friendly Controls

- + Controls include ON, OFF and PULSE setting

#### Patented Bowl Scraper with Integrated Lid Wiping System

- + Bowl scraper helps with temperature control
- + Integrated lid wipers provide easy viewing of product during processing

### SANITATION & CLEANING

#### Anodized Aluminum Base with Powder Coated Top Cover

- + Rubber feet on base prevents movement
- + Easy clean up and durable finish

### OPERATOR ASSURANCE

#### Triple Interlock System

- + Three interlocks prevent operation unless:
  1. Bowl is in place
  2. Bowl cover is in place
  3. Lid lock arm is in place

## SPECIFICATIONS

**Electrical:** 120/60/1, 3 conductor power cord (12 AWG) is 8 feet in length with NEMA5-20P plug. 15.4 rated amps.

**Motor:** 1.5 HP


**Switches:** ON, OFF, and PULSE switch

**Footprint:** 12" W x 18.5" H x 13.5" D (16" D with safety arm swing)

**Warranty:** Unit has full one-year warranty on parts, labor and mileage against manufacturer's defects. Service contracts are available.

**Weight:** Net 60 lb., shipping 62 lb.

#### Plugs and Receptacles:

Machine Voltages	
<b>Service Current Requirement if Plug Connected</b>	120/60/1
	15 Amp.
<b>Terminal Designation of Plug</b>	2 Pole 3 Wire Grounding
<b>NEMA Plug Configuration</b>	5-20P
<b>Plug Configuration</b>	
<b>Molded Plug on Cord</b>	Yes
<b>Plug - Straight/Angle</b>	Straight
<b>NEMA Receptacle or Connector Configuration</b>	5-15R

As continued product improvement is a policy of Hobart, specifications are subject to change without notice.