

HOBART701 S Ridge Avenue, Troy, OH 45374
1-888-4HOBART • www.hobartcorp.com**ENHANCED ESSENTIAL
AUTOMATIC WRAPPING SYSTEM****HOBART****ENHANCED ESSENTIAL AUTOMATIC WRAPPING SYSTEM****STANDARD FEATURES**

- Fully automatic - operator places package into the Enhanced Essential, weighing, wrapping and labeling is all done automatically.
- System automatically shuts down when not in use
- 1 roll of film to simplify film requirements
- Wraps and labels up to 20 packages per minute
- Auto off/on timer for heated sealer belt
- Swivel wand allows for label placement on all four corners of the meat package
- Automatic label rotation
- Intuitive operator diagnostics to reduce service calls
- Package range up to 10" L X 16" W X 6" H (25D & 1014 trays)

ACCESSORIES

- SHELF-ACCESS Side Shelf (Left or Right)
- RBG-2 Rotary Bin Gravity with Casters
- HRT5-3 Roller Discharge Table
- GRVCON-1 4 ft. Discharge Roller Conveyor
- BLA Bottom Label Applier

**MODELS**

- EWS-3LR Wrapping System (Left to Right)
- EWS-3RL Wrapping System (Right to Left)

OPTIONS AT EXTRA COST

- EPP-3 Access Prepack Printer
- EPCP-5i1 HT Series Console Functionality with Linux OS and 10" screen

Specifications, Details and Dimensions on Inside and Back.



ENHANCED ESSENTIAL AUTOMATIC WRAPPING SYSTEM

HOBART

701 S Ridge Avenue, Troy, OH 45374
1-888-4HOBART • www.hobartcorp.com

SPECIFICATIONS

WEIGHING

Capacity – 30 lbs. (Manual) 15 lbs. (Automatic mode)

Weighing increments – dual range capable,
12 lb. x .005 and 30 lb. x .01 lb

Minimum weight to print – .20 lb

LABELING

Label Width – 1.5", 2.25" and 3.0"

Label Length – 1.5" up to 4.0" in .5" inch increments

WRAPPING

Package Size Width – 4.5" min, 16" max

Length – 4.5" min, 10.1" max

Height – .4" min, 6.0" max

Wrapping Speed – Maximum of 20 packages per minute

Number of Film Rolls – 1

Type of Film Used – PVC

Film Thickness – 60 gauge min, 100 gauge max

Film Core Size – 3" I.D.

Film Maximum Diameter – 9.5" O.D.

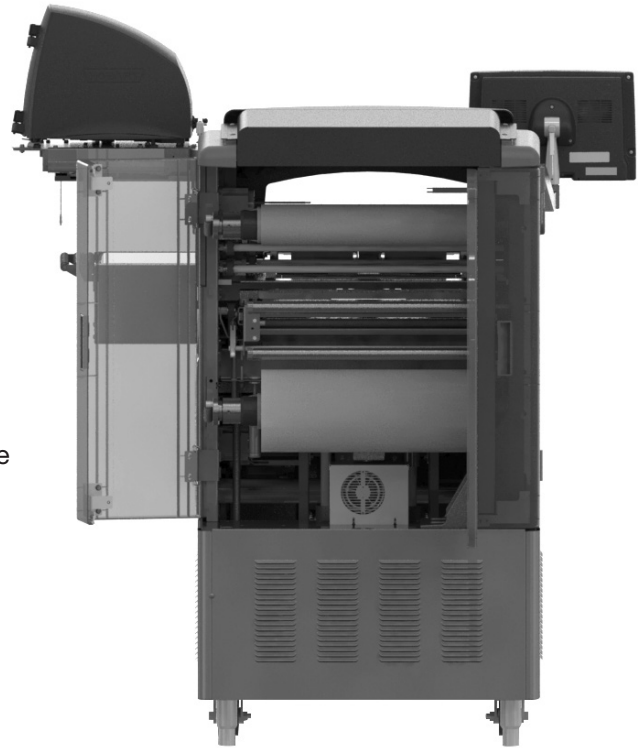
Film Widths – 14" min, 20" max

ELECTRICAL

220 (4 wire-2 hot lines, neutral & ground) 60 cycle,
1 phase, 20 amps

SHIPPING WEIGHT

Approximately 1,300 lbs.

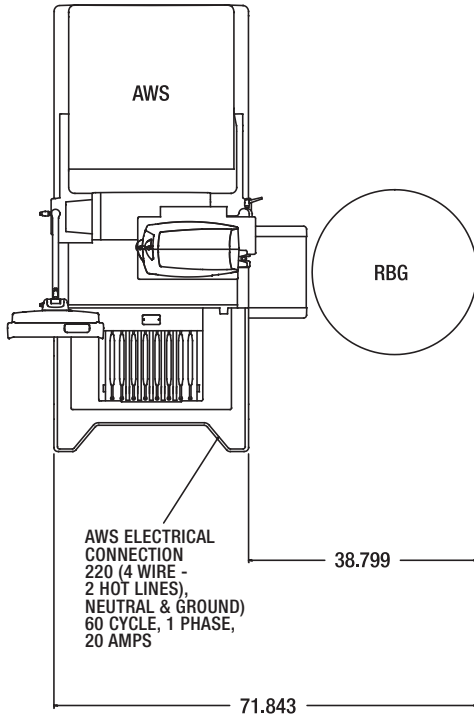


Film load area at rear of wrapper

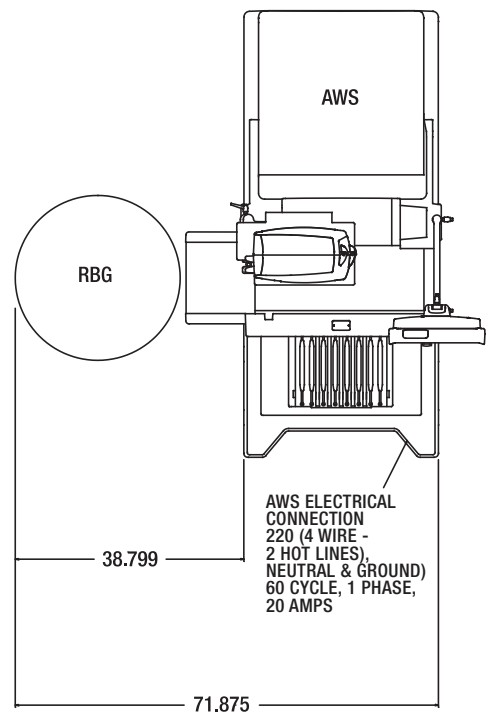


701 S Ridge Avenue, Troy, OH 45374
 1-888-4HOBART • www.hobartcorp.com

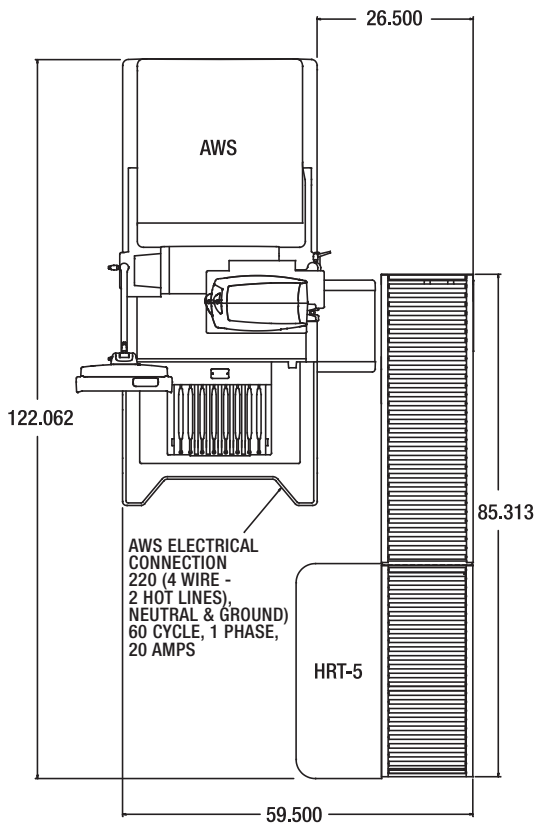
ENHANCED ESSENTIAL AUTOMATIC WRAPPING SYSTEM



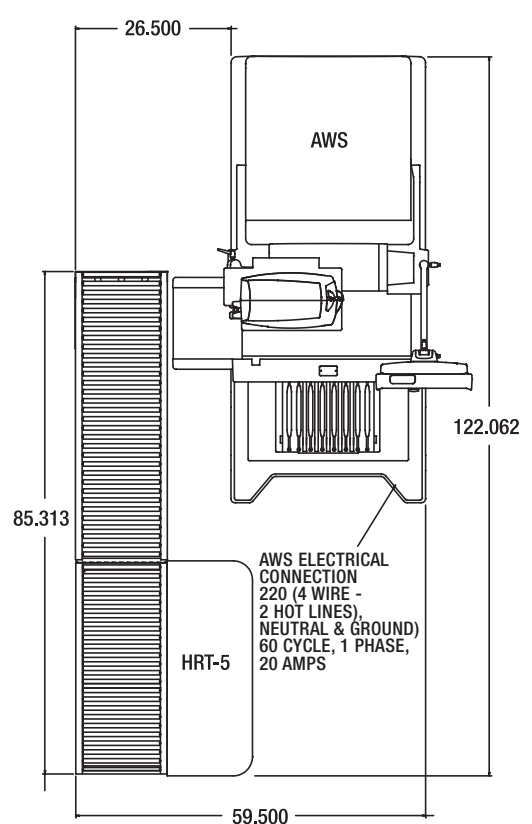
Enhanced Essential Wrapping System with RGB L-R



Enhanced Essential Wrapping System with RGB R-L



Enhanced Essential Wrapping System with HRT5 L-R



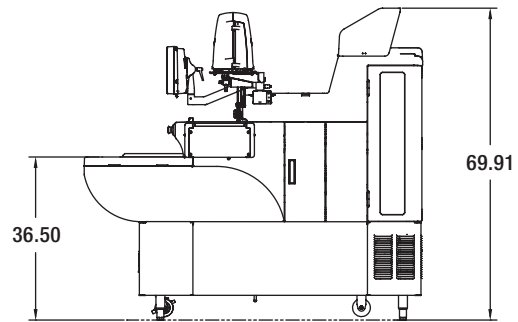
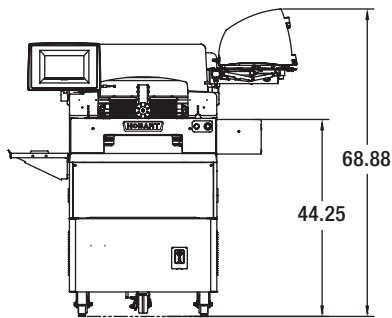
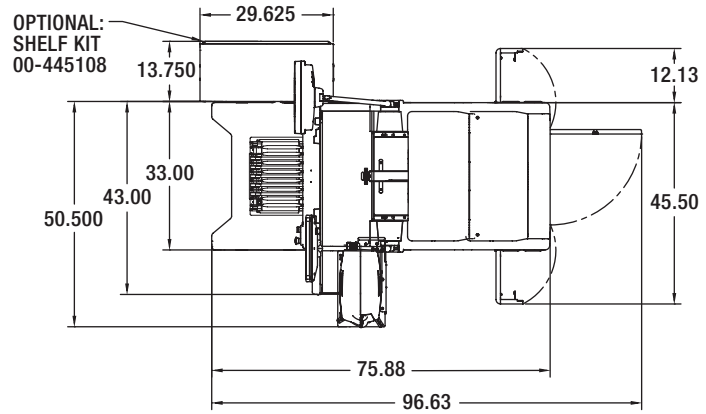
Enhanced Essential Wrapping System with HRT5 R-L

ENHANCED ESSENTIAL AUTOMATIC WRAPPING SYSTEM

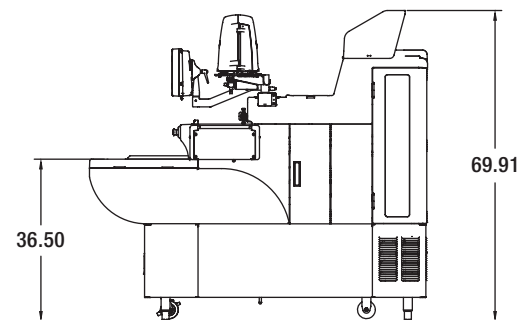
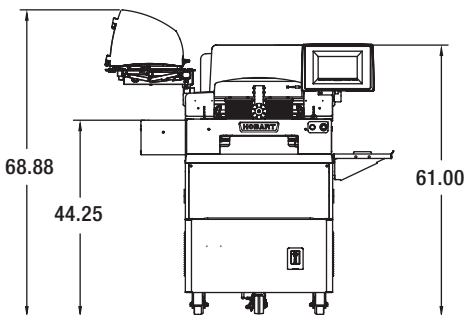
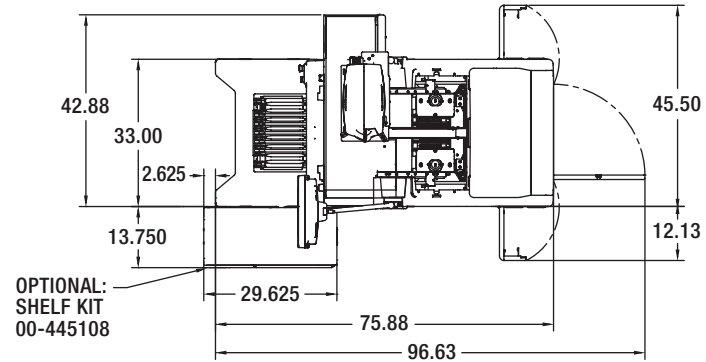


701 S Ridge Avenue, Troy, OH 45374
1-888-4HOBART • www.hobartcorp.com

DETAILS AND DIMENSIONS



Left to Right Operation



Right to Left Operation

As continued product improvement is a policy of Hobart, specifications are subject to change without notice.