

HOBART701 S Ridge Avenue, Troy, OH 45374
1-888-4HOBART • www.hobartcorp.com**CLPS66eNER ENERGY RECOVERY/
CLPS66eNADV *advansys* DISHWASHER****HOBART****CLPS66eNER ENERGY RECOVERY/CLPS66eNADV *advansys* DISHWASHER****STANDARD FEATURES**

- Drain Water Energy Recovery (DWER)
- Automatic Soil Removal (ASR)
(Standard on *advansys* models only)
- 22 inch power scrapper with 2 HP motor
- 202 racks per hour
- Drain water tempering kit (DWT)
- Opti-RinSe™ system
- 30 KW electric booster heater
- Rapid return conveyor drive mechanism
- Insulated hinged double doors with door interlock switches
- Door seal system
- Pressure regulating valves
- 19.5 inch chamber height opening
- Top mounted micro-processor control module
- Energy saver mode
- Dirty water indicator
- Low temperature alert
- NSF rated configurable Pot and Pan dwell mode
- Configurable “intelligent” delime notification
- Service diagnostics
- NAFEM Data Protocol compliant
- Computational fluid dynamic designed self-aligning wash manifolds
- Stainless steel debossed anti-clogging wash arms
- Removable integrated pump intake screen
- Stainless steel self-draining pumps and impellers
- Single, sloping scrap screen and deep basket
- Stainless panels enclose perimeter and bottom
- Door actuated drain closure
- Single point electrical connection (does not include the booster heater)
- Vent fan control

DIRECTION OF OPERATION

- Right to Left
- Left to Right

VOLTAGE

- 208/60/3 240/60/3 380/60/3
- 480/60/3 600/60/3

MODEL

- CLPS66eNER Energy Recovery Dishwasher
- CLPS66eNADV *advansys* Dishwasher

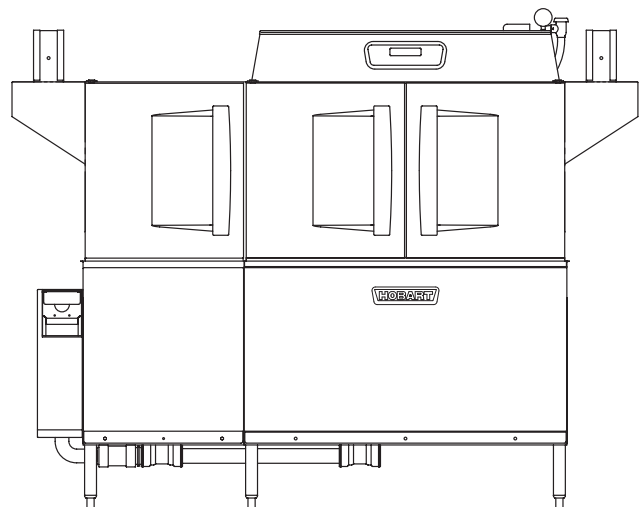
OPTIONS AT EXTRA COST

- Single point electrical connection, to include electric booster – three phase only
- Higher than standard chamber

ACCESSORIES

- Stainless steel vent hoods
- Direct drive unloader
- Side loader
- Blower-dryer

Specifications, Details and Dimensions on Inside and Back.



Shown with optional vent hoods

CLPS66eNER ENERGY RECOVERY/ CLPS66eNADV *advansys* DISHWASHER

HOBART

701 S Ridge Avenue, Troy, OH 45374
1-888-4HOBART • www.hobartcorp.com

THE ENERGY RECOVERY/*advansys* WAREWASHER IS STANDARD WITH THESE EFFICIENT FEATURES . . .

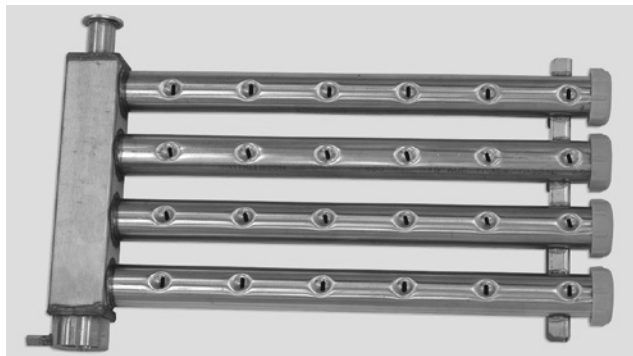
Inside and out the Energy Recovery/*advansys* warewashers by Hobart are packed with standard components and design innovations that make them the biggest value in the dishwasher industry.



The insulated hinged inspection doors provide easy access in the chamber. Exterior wash pipes and reduced interior baffles reduce clean-up time. The Rapid Return drive allows for a wide separation between the wash and the rinse zone.



New, Improved Control Module. The Hobart exclusive microprocessor control module offers a choice of many features, such as an exclusive Energy Saver Mode, NSF rated configurable Pot and Pan dwell mode, Low Temperature Alerts and Dirty Water Indicator. It also displays pertinent machine status and has a configurable “intelligent” delime notification. The controls have built-in Service Diagnostics and are NAFEM Data Protocol Compliant.



Wash Manifolds. Computational Fluid Dynamic designed wash manifolds are self-aligning and come with Hobart’s signature debossed anti-clogging nozzles for superior result.



Drain Water Energy Recovery (DWeR) is an enhanced energy savings solution that provides 20% energy savings over the CLe series. DWeR provides this benefit by using the heat from the exiting drain water to warm up the incoming cold water. This heats the cold water prior to filling the booster heater, thus requiring less energy from the booster to reach final rinse temp of 180° for that water. Additionally, by removing this heat from the exiting drain water, and by tempering (cooling) that water (if needed), we help ensure that our customers meet national plumbing codes which require that water be less than 110° as it passes into external municipality water system.

Automatic Soil Removal (ASR). ASR automatically redirects food soil left over after pre-scraping to an external scrap basket at the load end of the machine. This helps to keep the wash water cleaner, reducing the need for chemical detergents and frequency of water changes. This saves the customer money on chemicals and water/energy.



Opti-RinSe™. Hobart’s exclusive Opti-RinSe™ significantly reduces operating cost by reducing rinse water and the energy required to heat the water. The unique spray pattern uses large droplets to more efficiently sanitize the ware.



701 S Ridge Avenue, Troy, OH 45374
1-888-4HOBART • www.hobartcorp.com

CLPS66eNER ENERGY RECOVERY/ CLPS66eNADV *advansys* DISHWASHER



Built-in Pressureless Stainless Steel Booster Heater. Interwired and interplumbed. Saves on installation and saves floor space. Simplifies operation with just one switch to power dishwasher and booster.

AVAILABLE OPTIONS AND ACCESSORIES . . .

Flexibility is synonymous with Hobart CLeN dishwashers. If your operation demands a dishwasher with a vent hood, an extended hood . . . a power scrapper, just specify the combination of options that suit your needs.



Side Loader. Save up to 20 square feet in the dishroom layout with an optional CLeN Side Loader. Racks are indexed 90° into the dishwasher automatically – a feature that cuts space and reduces labor dramatically. Your dishroom team will appreciate this feature.

OTHER AVAILABLE ACCESSORIES . . .

Blower-dryer, direct drive unloader.

OTHER STANDARD FEATURES . . .

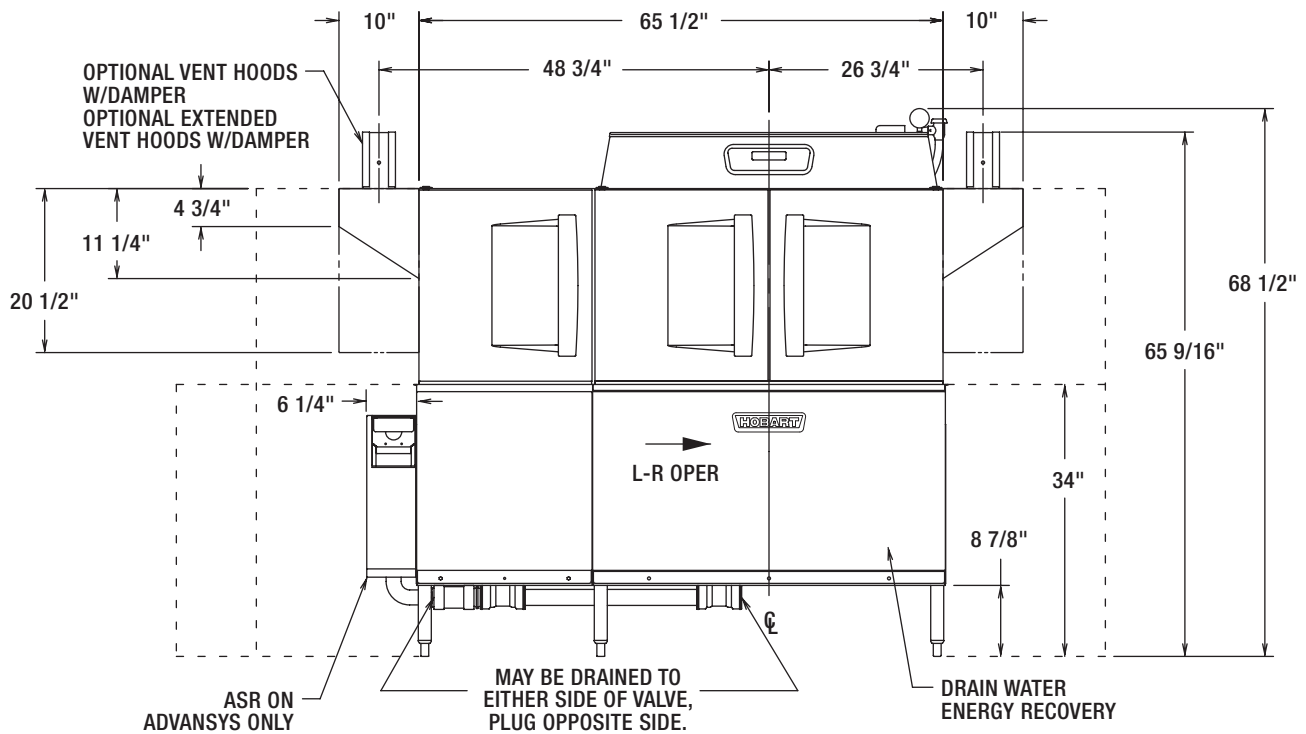
- **Thermal Layer Curtains** help keep the heat inside the machine.
- **Ball Detent Clutch Conveyor Drive** for maximum protection against conveyor jams
- **Integrated Removable Pump Intake Screen** to offer the ultimate guard of keeping debris from entering the pump.
- **Hinged Door Seals** and stainless steel labyrinth seal for drip-free operation
- **Door Actuated Drain Closure.** Closing the door automatically actuates drain closure, eliminates extra manual steps, ensures that closure is in the correct position.

	Energy Recovery/ <i>advansys</i>
Machine Ratings (Mechanical)	
Racks per hour (19¼" x 19¼")	202
Conveyor Speed - feet per minute	5.6 max.
Dishes per Hour (Average 25 per rack)	5,025
Glasses per Hour (Average 45 per rack)	9,045
Floor Space – Table to Table (Inches)	66
Overall Dimensions – H x W x D (Inches)	79 ⁹ / ₁₆ x 79 ³ / ₄ x 31 ¹ / ₄
Motor H.P.	Power Scrapper 2 Wash 2
Conveyor Drive H.P.	¹ / ₆
Number of Tanks	2
Tank Capacity – Gallons	Power Scrapper 23 Wash 23
Pump Capacity –	
Gallons per Minute - Weir Test	165
Electric Heating Unit – Size Used	15 KW
Booster Heater / Final Rinse	30 KW
Rinse – Minutes operated during hour of maximum operation	60
Final Rinse Flow – Gals. per min.	
At 15 PSI Flow Pressure	1.8
At 20 PSI Flow Pressure	2.1
Final Rinse Flow – Gals. per hr. – MAXIMUM	
At 20 PSI Flow Pressure	126
Rinse 20 PSI Flow Pressure Gal./Rack	Hot Water Sanitizing .62 - 180°F
Exhaust Requirements –	
Cubic Feet per minute	
Entrance End	200
Discharge End	400
Peak Rate of Drain Flow – Gallons per minute.	
(Initial rate with full tank)	38
Shipping Weight Crated – Approximate lbs.	905

CLPS66eNER ENERGY RECOVERY/ CLPS66eNADV *advansys* DISHWASHER



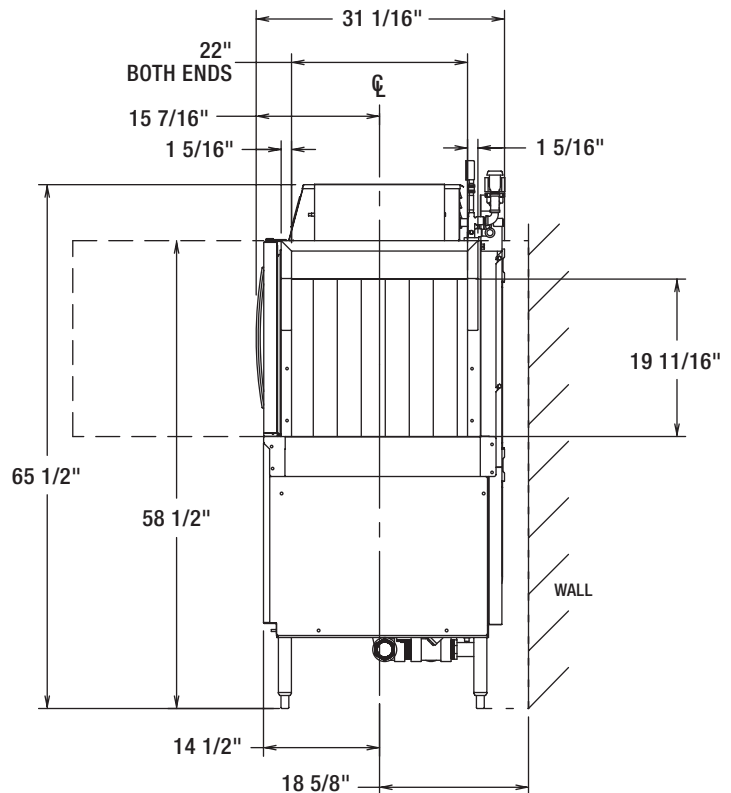
701 S Ridge Avenue, Troy, OH 45374
1-888-4HOBART • www.hobartcorp.com



⚠ WARNING

ELECTRICAL AND GROUNDING CONNECTIONS MUST COMPLY WITH THE APPLICABLE PORTIONS OF THE NATIONAL ELECTRICAL CODE AND/OR OTHER LOCAL ELECTRICAL CODES.

ATTN: PLUMBING CONNECTIONS MUST COMPLY WITH APPLICABLE SANITARY, SAFETY, AND PLUMBING CODES.



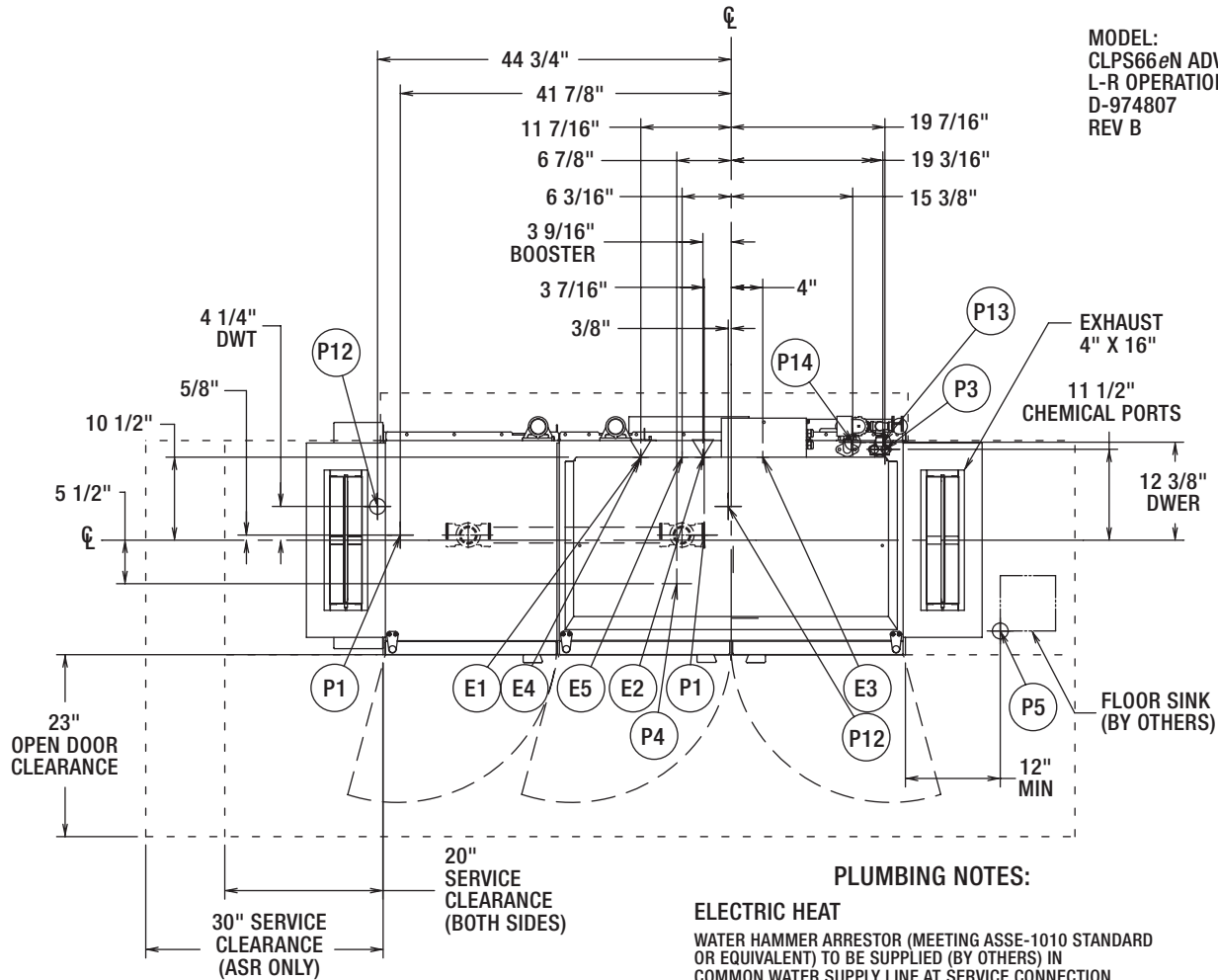
BOOSTER HEAT 30 KW			
ELEC. SPECS.	RATED AMPS	MINIMUM SUPPLY CIRCUIT CONDUCTOR AMPACITY	MAXIMUM PROTECTIVE DEVICE
200-240/50/3	80.2	90	90
380-415/50/3	53.2	60	60
200/50/3	80.8	90	90
208-240/60/3	80.2	90	90
208/60/3	83.9	90	90
240/60/3	80.2	90	90
380/60/3	42.5	60	60
380-415/60/3	46.4	60	60
480/60/3	40.1	50	50
600/60/3	33.7	40	40

CLPS66eNER ENERGY RECOVERY/ CLPS66eNADV advansys DISHWASHER

HOBART

701 S Ridge Avenue, Troy, OH 45374
1-888-4HOBART • www.hobartcorp.com

MODEL:
CLPS66eN ADVANSYS
L-R OPERATION
D-974807
REV B



MISCELLANEOUS NOTES:

OPTIONAL VENT HOODS OR EXTENDED HOODS EXHAUST REQUIREMENTS: 200 CFM ENTRANCE END
400 CFM EXIT END.

ALL DIMENSIONS TAKEN FROM FLOOR LINE MAY BE INCREASED APPROXIMATELY 3/4" OR DECREASED 1/2".

66" INSIDE TANK (AT TABLE CONNECTION)
65-25/32" TABLE TO TABLE.

NET WEIGHT OF MACHINE: 770 LBS (STD HEIGHT),
DOMESTIC SHIPPING WEIGHT: 876 LBS (STD HEIGHT).

CLeN LATENT AND SENSIBLE HEAT DISSIPATION
INFORMATION ON F40459.

SINGLE POINT ELECTRICAL CONNECTION (3 PH ONLY) MOTORS AND ELECTRIC TANK HEAT

VOLTAGE	RATED AMPS	MINIMUM SUPPLY CIRCUIT CONDUCTOR AMPACITY	MAXIMUM PROTECTIVE DEVICE
208/60/3	60.6	80	80
240/60/3	58	80	80
480/60/3	30.6	40	40
200/50/3	60	80	80
380/60/3	33.5	40	40
380-415/50/3	34.9	40	40
600/60/3	22.6	35	35

SEPARATE SERVICE CONNECTION FOR ELEC. HEAT

ELEC. HEAT 15 KW (WASH)			
VOLTAGE	RATED AMPS	MINIMUM SUPPLY CIRCUIT CONDUCTOR AMPACITY	MAXIMUM PROTECTIVE DEVICE
208/60/3	45	60	60
240/60/3	43	60	60
480/60/3	22	30	30
200/50/3	43	60	60
380/60/3	23	30	30
380-415/50/3	29	40	40
600/60/3	14.4	20	20
208/60/1	78	100	100
240/60/1	74.4	100	100

SEPARATE SERVICE CONNECTION FOR MOTORS ON ELEC. HEAT

MOTORS: 1/6 HP CONVEYOR 2 HP WASH			
VOLTAGE	RATED AMPS	MINIMUM SUPPLY CIRCUIT CONDUCTOR AMPACITY	MAXIMUM PROTECTIVE DEVICE
208/60/3	15.6	20	20
240/60/3	15.1	20	20
480/60/3	9.1	15	15
200/50/3	16.6	20	20
380/60/3	10.7	15	15
380-415/50/3	10.1	15	15
600/60/3	8.2	15	15
208/60/1	27	35	35
240/60/1	26.3	35	35

PLUMBING NOTES:

ELECTRIC HEAT

WATER HAMMER ARRESTOR (MEETING ASSE-1010 STANDARD OR EQUIVALENT) TO BE SUPPLIED (BY OTHERS) IN COMMON WATER SUPPLY LINE AT SERVICE CONNECTION.

RECOMMENDED WATER HARDNESS TO BE 3 GRAINS OR LESS FOR BEST RESULTS.

FOR NON-BOOSTER MACHINE (P6 CONN): RECOMMENDED BUILDING FLOWING WATER PRESSURE TO THE DISHWASHER IS 20 PSI, (15 PSI MIN - 25 PSI MAX). IF PRESSURES HIGHER THAN 25 PSI ARE PRESENT, A PRESSURE REGULATING VALVE WITH INTERNAL THERMAL EXPANSION BY-PASS MUST BE SUPPLIED (BY OTHERS) IN THE WATER LINE TO THE DISHWASHER.

FOR CONVENIENCE WHEN CLEANING, WATER TAP SHOULD BE INSTALLED NEAR MACHINE WITH HEAVY DUTY HOSE AND SQUEEZE VALVE.

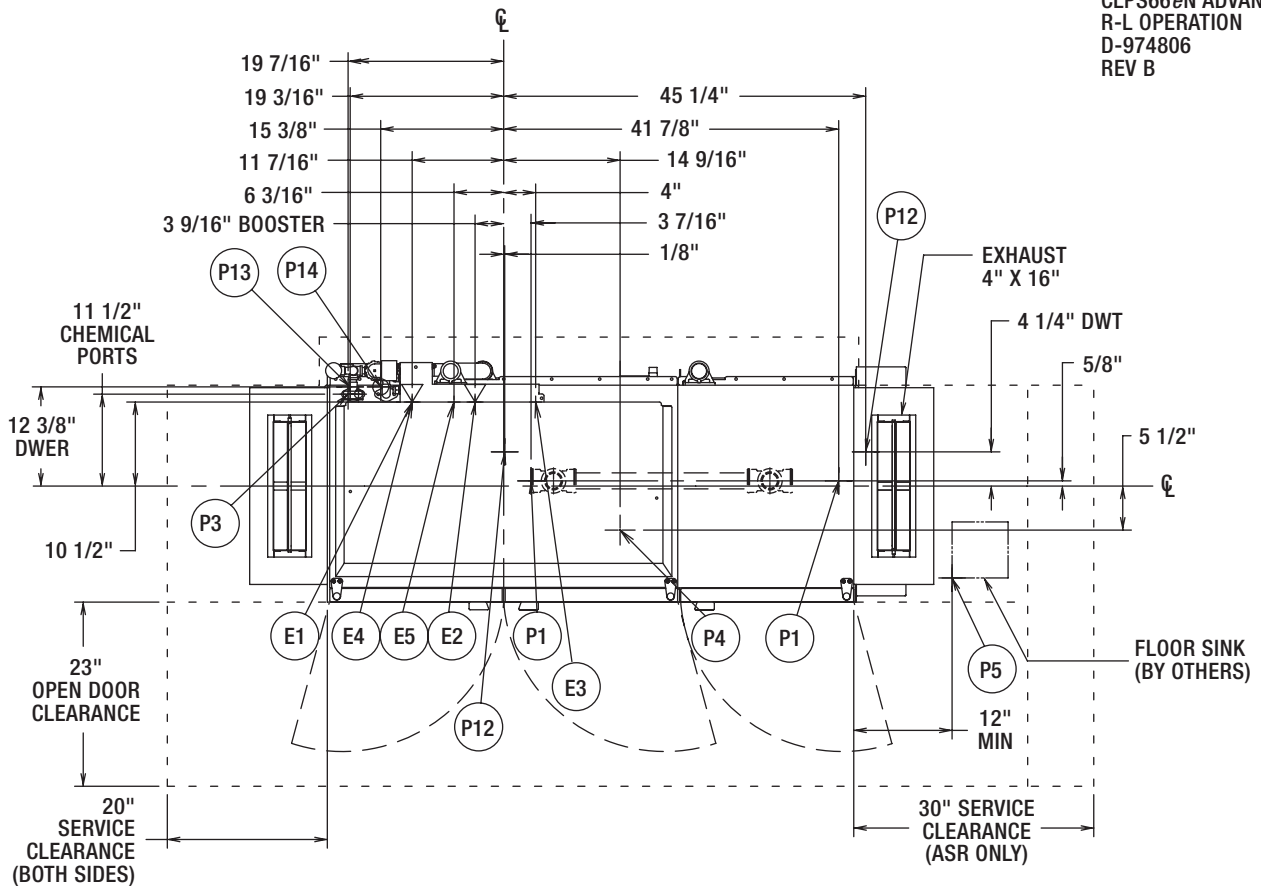
WHEN USED, CHEMICAL SANITIZING FEEDER MUST BE CERTIFIED TO NSF STANDARD 29.



701 S Ridge Avenue, Troy, OH 45374
1-888-4HOBART • www.hobartcorp.com

CLPS66eNER ENERGY RECOVERY/ CLPS66eNADV *advansys* DISHWASHER

MODEL:
CLPS66eN ADVANSYS
R-L OPERATION
D-974806
REV B



ELECTRICAL CONNECTIONS CONNECTION INFORMATION (AFF = ABOVE FINISHED FLOOR)

LEGEND

ELECTRIC HEAT

- E1 ELECTRIC CONNECTION: SINGLE POINT, ELEC, GAS, & STEAM, 1-1/4" CONDUIT HOLE OR 2" CONDUIT, 63-3/4" AFF
- E2 ELECTRIC CONNECTION: BOOSTER. 15KW/30KW, 1-1/4" CONDUIT HOLE OR 2" CONDUIT HOLE, 63-3/4" AFF
- E3 ELECTRIC CONNECTION: DETERGENT, SANITIZER (LOW TEMP ONLY) AND RINSE FEEDERS. 1/2" CONDUIT. 64-1/4" AFF

ELECTRIC HEAT ONLY

SINGLE PHASE OR FIELD CONFIGURED 3 PHASE SEPARATE ELECTRIC CONNECTION

- E4 ELECTRIC CONNECTION: MOTORS AND CONTROLS 1-1/4" CONDUIT. 63-3/4" AFF.
- E5 ELECTRIC HEAT: 15,000 WATTS, WASH TANK. 1" CONDUIT HOLE, 63-3/4" AFF.

PLUMBING CONNECTIONS CONNECTION INFORMATION (AFF = ABOVE FINISHED FLOOR)

LEGEND

ELECTRIC HEAT

- P1 DRAIN: 2" FPT, 7-3/8" AFF TWO POSSIBLE CONNECTIONS; MAY BE DRAINED TO EITHER SIDE OF VALVE, PLUG OPPOSITE SIDE.
- P2 SANITIZER FEEDER: REMOVE 1/8" NPT PIPE PLUG TO ACCESS TAPPED HOLE. 1/8" NPT 59-1/2" AFF (LOW TEMP ONLY)
- P3 RINSE FEEDER: REMOVE 1/8" NPT PIPE PLUG TO ACCESS TAPPED HOLE. 1/8" NPT 59-9/16" AFF.
- P4 DETERGENT PROBE SENSOR: REMOVE CAP AND STUD ASSEMBLY TO ACCESS 7/8" DIA HOLE (WASH TANK ONLY). 14-5/8" AFF.
- P5 INDIRECT DRAIN-FLOOR SINK: BY OTHERS, 0" AFF. WHEN REQUIRED, INSTALL FLOOR SINK OUTSIDE THE PERIMETER OF THE DISHWASHER.

DRAIN WATER TEMPERING

- P12 COLD WATER CONNECTION: 1/2" FPT, COLD TEMP 80°F MAX 7-3/8" AFF.

DRAIN WATER ENERGY RECOVERY

- P13 HOT WATER CONNECTION: 1/2" FPT, 11-3/16" AFF. HIGH TEMP, W/30K BOOSTER 110°F MIN.
- P14 COLD WATER CONNECTION: 1/2" FPT, 11-3/16" AFF. COLD TEMP, 55°F MIN.

CLPS66eNER ENERGY RECOVERY/ CLPS66eNADV *advansys* DISHWASHER

HOBART701 S Ridge Avenue, Troy, OH 45374
1-888-4HOBART • www.hobartcorp.com

SPECIFICATIONS: Meets requirements of ASSE Standard No. 1004.

DESIGN: Semi automatic, high temperature single-tank, rack-type dishwasher with flexible thermal layer curtains at the ends of chamber and between wash and final rinse zones. Insulated hinged inspection doors located in front of machine provide easy access to wash arms, rinse arms, strainer, strainer basket, and pump intake screen. Length of machine inside tank (at table connection) 66". Machine designed to clean and sanitize with hot water 160°F wash and 180°F (minimum) final rinse. Water hardness recommended to be 3 gr. or less for best results. Automatic interlocks shut off pump and conveyor if door is opened when machine is in operation.

CONSTRUCTION: Tanks, chambers, frame, legs, control box, doors, and all panels are constructed of stainless steel.

PUMPS: Two recirculating stainless steel pumps and impellers with ceramic seat seals. Easily accessible pump assembly permits quick inspection. The pumps are self-draining. All piping distributing water to the upper and lower wash arms is stainless steel tubing.

PUMP MOTOR: Built for Hobart 2 hp grease-packed ball bearings, splash proof, ventilated with manual, resettable inherent overload protection. Available in electrical specifications of 208-240/60/3, 480/60/3 and 600/60/3. Also available, but not submitted for UL listing are 200-240/50/3 and 380-415/50/3.

CONTROLS: A stainless steel control module with power and "start/stop" buttons is mounted on top of the machine. Machine control circuitry will be operated from a 120-volt control circuit transformer. Electrical components are completely wired with 105°C, 600V thermoplastic insulated wire with stranded conductors routed through UL listed electrical conduit or covered wire way.

CONVEYOR: Rapid Return drive, designed for more even throughput of racks and allows for a 16-inch separation between the wash and the rinse zone. Racks conveyed automatically through wash and rinse zones. Ball Detent Clutch drive prevents damage to machine or racks, should movement of racks be obstructed. Conveyor speed: 5.6 FPM.

DRIVE MOTOR: Built for Hobart, 1/6 horsepower gear motor, ventilated with manual, resettable inherent overload protection. Available in electrical specifications of 208-240/60/3, 480/60/3 and 600/60/3. Also available, but not submitted for UL Listing are 200-240/50/3 and 380-415/50/3.

POWER SCRAPPER: CLPS66eN power scrapper is equipped with an upper and lower wash arm with specially shaped nozzles having large openings and arranged to effectively scrap all types of tableware. Power scrapper arms and end caps are easily removable for cleaning without use of tools. Removable perforated stainless steel strainer pans support a deep perforated stainless steel basket. Basket and strainer pans (3) can be removed without lower wash arm removal.

POWER WASH: Wash tank is equipped with upper and lower stainless steel CFD Wash Arms which effectively direct water jets to all ware surfaces. Both upper and lower wash arms are self-aligning and have easily removable end caps for cleaning without use of tools. A removable perforated stainless steel strainer pan supports a deep perforated stainless steel basket.

FINAL RINSE: Final rinse flow rate: 2.1 gpm, .62 gpr, 126-gph. Stainless steel upper and lower Auto Position Rinse Arms™ have single rows of nozzles. Racks entering the rinse zone automatically trigger rinse. Final rinse water line is equipped with a vacuum breaker downstream of an electrically operated solenoid valve in common piping system. Rinse agent dispenser injection ports provided in final rinse piping above chamber.

FILL: Fill water line is equipped with vacuum breaker on downstream side of electrically operated solenoid valve in common piping system, for automatic maintenance of tank level.

DRAIN AND OVERFLOW: Large bell-type automatic overflow and drain valve inside power scrapper tank controlled from inside of machine. Power scrapper overflows to drain. Wash tank drain controlled from inside of the machine overflows to power scrapper through large internally mounted stainless steel tubing. Drain seals are large diameter high temperature o-rings. Drain automatically seats by closing inspection doors. Common drain utilizes a removable large diameter stainless steel tube sealed by rubber o-rings at each drain housing. Drain housing can be plumbed from load or unload end of machine.

STANDARD EQUIPMENT: Energy Recovery, Digital display of power scrapper, wash and final rinse temperature. Positive low water protection for tank heat. Thermal Layered Curtains throughout machine are keyed to ensure proper placement. Drains are automatically closed when inspection doors are closed. Stainless steel adjustable feet. Bolted stainless steel enclosure panels around perimeter and underneath machine. Automatic tank fill. Door interlocks. Auto-timer. Vent fan and booster heater controls. Low temperature alerts. Service diagnostics. Dirty water indicator. Configurable "intelligent" delime notification. NSF rated configurable Pot and Pan dwell mode. Energy Saver Mode. NAFEM Data Protocol compliant. Pressure regulating valve. Booster heater (30 KW).

WASH TANK HEATING SELECTIONS (must choose one):

ELECTRIC: One electric Incoloy® sheathed immersion heater (15 KW) removable from inside tank. Tank water temperature is controlled by microprocessor controlled thermostat with positive low-water protection and magnetic contactor. (Disconnect switches not furnished.) A high limit device mounted on the surface of the tank additionally protects heating element.

OPTIONAL EQUIPMENT AT EXTRA COST:

Stainless steel vent hoods with vent stack, and locking-type damper (load end only). Canopy exhaust power vent kit. Higher than standard chamber. Side loaders and unloaders. 19 3/4" x 19 3/4" peg, combination and miscellaneous racks. Table limit switch. Drain water-tempering kit.

As continued product improvement is a policy of Hobart, specifications are subject to change without notice.