



CATALOG OF REPLACEMENT PARTS



OV520E ELECTRIC RACK OVENS

ML-132589

ML-132590

ML-132648

OV520E1

OV520E2

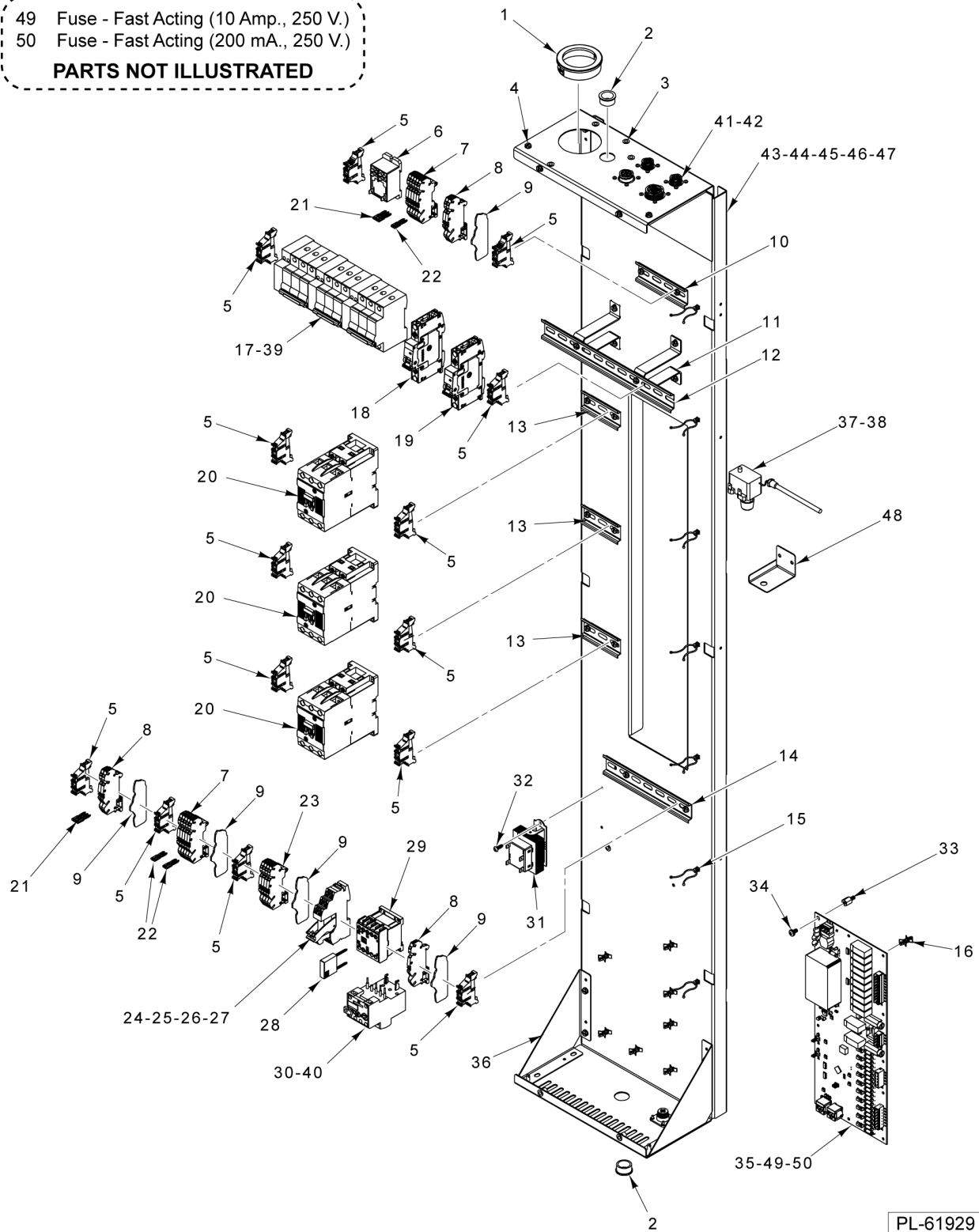
OV520E1

Table of Contents

5	COMPONENT BOX
7	CONTROL CABINET, DOOR, AND CONTROLLER
9	CABINET (SINGLE RACK) (ML-132589 & ML-132648)
11	CABINET (DOUBLE RACK) (ML-132590)
13	HOOD (SINGLE RACK) (ML-132589 & ML-132648)
15	HOOD (DOUBLE RACK) (ML-132590)
17	LOADING DOOR (SINGLE RACK) (ML-132589 & ML-132648)
19	LOADING DOOR (DOUBLE RACK) (ML-132590)
21	BLOWER, PANELS, AND VENTS (SINGLE RACK) (ML-132589 & ML-132648)
23	BLOWER, PANELS, AND VENTS (DOUBLE RACK) (ML-132590)
27	LIFTER (SINGLE RACK) (ML-132589 & ML-132648)
29	LIFTER (DOUBLE RACK) (ML-132590)
31	ROTATOR
33	CARRIER
35	STEAMER ASSEMBLY (SINGLE RACK) (ML-132589 & ML-132648)
37	STEAMER ASSEMBLY (DOUBLE RACK) (ML-132590)
39	EXTERIOR WATER SUPPLY
41	HEATING ELEMENTS

- 49 Fuse - Fast Acting (10 Amp., 250 V.)
- 50 Fuse - Fast Acting (200 mA., 250 V.)

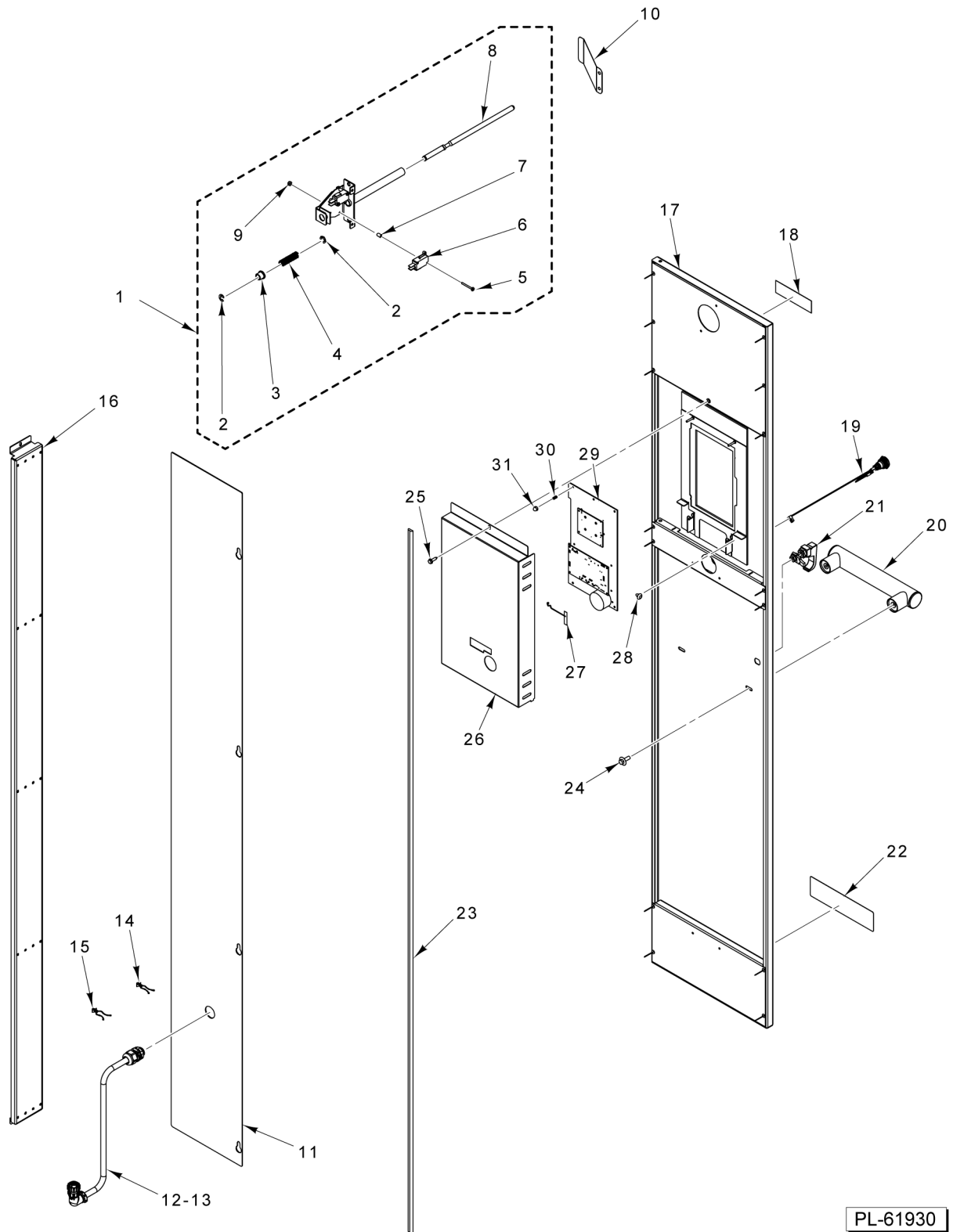
PARTS NOT ILLUSTRATED



COMPONENT BOX

COMPONENT BOX

ILLUS.	PART NO.	NAME OF PART	AMT.
1	01-1000V5-00033	Bushing - Snap (2 In.).....	1
2	01-1000V5-00059	Bushing - Snap 7/8 In. (Plastic).....	2
3	01-1000V4-00121	Insert - Threaded 10-32 Hex.....	AR
4	01-1000V4-00474	Screw 10-32 x 1/2 Hex Washer Hd. (Zinc).....	AR
5	01-1000V5-00396	Stop - End (Din Rail) (35mm).....	AR
6	01-1000V6-00389	Relay, DPST - 1 Hp @ 120V.....	1
7	01-1000V5-00397	Block - Spring Terminal (4 Wire Gray).....	AR
8	01-1000V5-00399	Block - Spring Terminal (4 Wire Green/Yellow).....	5
9	01-1000V5-00400	Block - Spring Terminal (End Cap) (4 Wire).....	5
10	01-100V18-00115	Din Rail (9080-M H) (10 In.).....	1
11	01-100V18-0214A	Bracket - Din Rail.....	2
12	01-100V18-00115	Din Rail (9080-M H) (10 In.).....	1
13	01-100V18-00115	Din Rail (9080-M H) (10 In.).....	3
14	01-100V18-00115	Din Rail (9080-M H) (10 In.).....	1
15	01-1000V5-00359	Standoff .700 x 1.64 In. (Twist Lok) Wire Tires (.19 hole).....	7
16	01-1000V5-00405	Post - Mounting (PCB Support) (0.156 Holes x 0.375 Standoff).....	9
17	01-1M7546-00001	Kit - Breaker Replacement (63 Amp.) (208-240 V.) (With 120 V. UV Breaker) (Single Rack).....	2
17	01-1M7546-00001	Kit - Breaker Replacement (63 Amp.) (208-240 V.) (With 120 V. UV Breaker) (Double Rack).....	3
18	01-1000V6-00423	Circuit Breaker (10A).....	1
19	01-1000V6-00424	Circuit Breaker (13A).....	1
20	01-1000V6-00348	Contactor (3-Pole) (50 Amp.) (Single Rack).....	2
20	01-1000V6-00348	Contactor (3-Pole) (50 Amp.) (Double Rack).....	3
21	01-1000V5-00401	Jumper (3-Pole).....	2
22	01-1000V5-00411	Jumper (2-Pole).....	3
23	01-1000V5-00398	Block - Spring Terminal (4 Wire Blue).....	4
24	01-1000V6-00416	Base - Relay (250V).....	1
25	01-1000V6-00417	Relay (24 VAC) (8A).....	1
26	01-1000V6-00418	Relay (12-24 V).....	1
27	01-1000V6-00419	Lever - Relay.....	1
28	01-1000V6-00402	Contactor.....	1
29	01-1000V6-00398	Contactor (208-240/480 V., 3 Ph.) (9 Amp.).....	1
30	01-1000V6-00399	Contactor - Overload (208-240 V., 3 Ph.) (6.3 Amp.).....	1
31	01-1000V6-00366	Contactor.....	1
32	01-1000V4-00442	Screw Pan Hd. 8-32 x 1/2 (Zinc).....	2
33	01-1000V4-00659	Standoff.....	1
34	01-1000V4-00662	Mach. Screw 10-32 x 3/8 Phil Hd.....	1
35	01-100V16-01085	Board - I/O.....	1
36	01-1M7516-00209	Bracket - Component Box.....	4
37	01-1000V6-00406	Thermostat - Hi Limit.....	1
38	01-1000V6-00407	High Limit Cap.....	1
39	01-1M7547-00001	Kit - Breaker Replacement (32/35 Amp.) (380-415/440-480 V.) (With 120 V. UV Breaker) (Single Rack).....	2
39	01-1M7547-00001	Kit - Breaker Replacement (32/35 Amp.) (380-415/440-480 V.) (With 120 V. UV Breaker) (Double Rack).....	3
40	01-1000V6-00408	Contactor - Overload (440-480 V., 3 Ph.) (2.8 Amp.).....	1
41	01-1000V4-00620	Mach. Screw 4-40 x 3/8.....	AR
42	01-1000V4-00621	Washer - Lock.....	AR
43	01-1M7516-00020	Body - Component Box (Incls. Items 3, 4, & 36).....	1
44	01-1M7516-00001	Component Box Assy. (208-240 V.) (Single Rack) (Incls. Items 1 thru 38).....	1
45	01-1M7516-00002	Component Box Assy. (208-240V) (Double Rack) (Incls. Items 1 thru 38).....	1
46	01-1M7516-00003	Component Box Assy. (440-480 V.) (Single Rack) (Incls. Items 1 thru 16, 18 thru 29, & 31 thru 40).....	1
47	01-1M7516-00004	Component Box Assy. (440-480 V) (Double Rack) (Incls. Items 1 thru 16, 18 thru 29, & 31 thru 40).....	1
48	01-1M7527-00201	Bracket - Mounting.....	1
49	01-100V10-00372	Fuse - Fast Acting (10 Amp., 250 V.).....	1
50	01-100V10-00373	Fuse - Fast Acting (200 mA., 250 V.).....	1



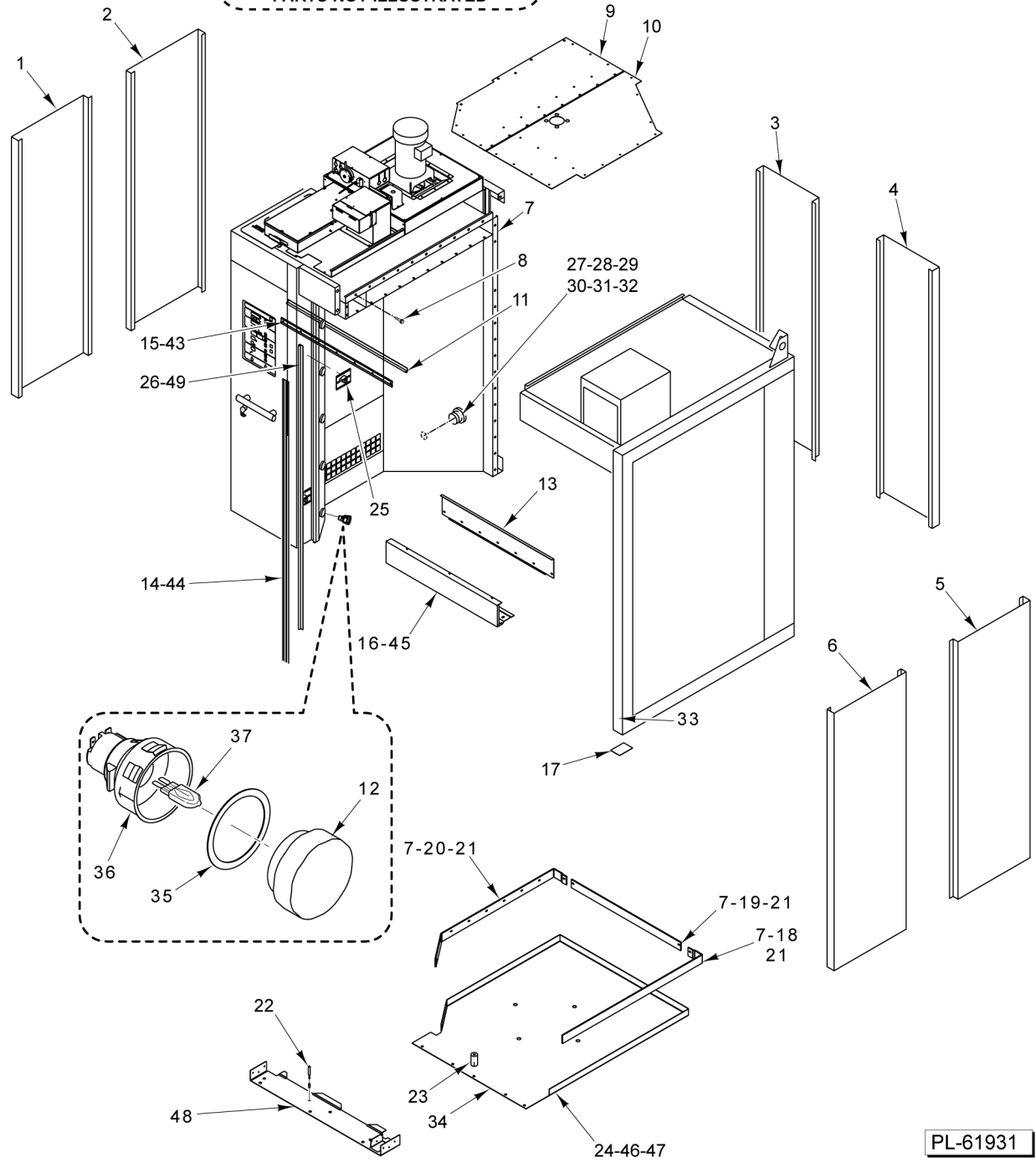
PL-61930

CONTROL CABINET, DOOR, AND CONTROLLER

CONTROL CABINET, DOOR, AND CONTROLLER

ILLUS. PL-61930	PART NO.	NAME OF PART	AMT.
1	01-1M6478-00001	Door Switch Assy. (Spring Loaded) (Incls. Items 2 thru 9).....	1
2	01-1000V1-00078	Clip - E-Door.....	2
3	01-1M6478-00103	Bearing (Bronze).....	1
4	01-100V20-00027	Spring - Compression.....	1
5	01-1000V4-00512	Mach. Screw Hex Hd. 4-40 x 1.....	4
6	01-1000V6-00343	Switch - Lever SPST.....	2
7	01-1000V5-00318	Spacer.....	4
8	01-1M6478-00101	Rod - Actuator.....	1
9	01-1000V4-00355	Nut.....	4
10	01-1M6928-00001	Plate, Actuator.....	1
11	01-1M5150-00001	Cover - Light Access.....	1
12	01-1M7119-00001	Harness - Lights.....	1
13	01-1M7400-00211	Cable, Light.....	1
14	01-1000V5-00388	Standoff .500 x 1.59 In. (Twist Lok) Wire Tires (.19 hole).....	AR
15	01-1000V5-00359	Standoff .700 x 1.64 In. (Twist Lok) Wire Tires (.19 hole).....	4
16	01-1M7416-00101	Channel, Cable.....	1
17	01-1M7552-00005	Control Door Assy.....	1
18	01-100V16-0348F	Label - Gas Shutoff.....	1
19	01-1M7408-00001	Switch - Push Button.....	1
20	01-1M6376-00005	Handle - Door.....	1
21	01-100V18-00161	Latch.....	1
22	01-100V16-0290F	Label.....	1
23	01-100V21-00092	Gasket - PVC-Extruded ("B" Shape).....	1
24	01-1000V4-00283	Mach. Screw 1/4-20 x 3/4 Hex Washer Hd. (SST).....	2
25	01-1000V4-00400	Cap Screw 10-32 x 3/4 Hex Hd. (SST).....	1
26	01-1M7403-00201	Cover - Display.....	1
27	01-100V10-00365	Antenna - Internal (Smart Touch Controller) (100mm Cable, U.FL Connector).....	1
28	01-100V15-00088	Rubber Button.....	2
29	01-100V16-01086	Board - Control (Smart Touch).....	1
30	01-100V20-00035	Spring.....	2
31	01-1000V4-00624	Cap Nut 6-32 (SST).....	2

- 38 Kit - Insulation (Single Rack)
 - 39 Kit - Insulation (Single Rack Split)
 - 40 Kit - Floor Trim
 - 41 Insert 10-32
 - 42 Insert 1/4-20
- PARTS NOT ILLUSTRATED**

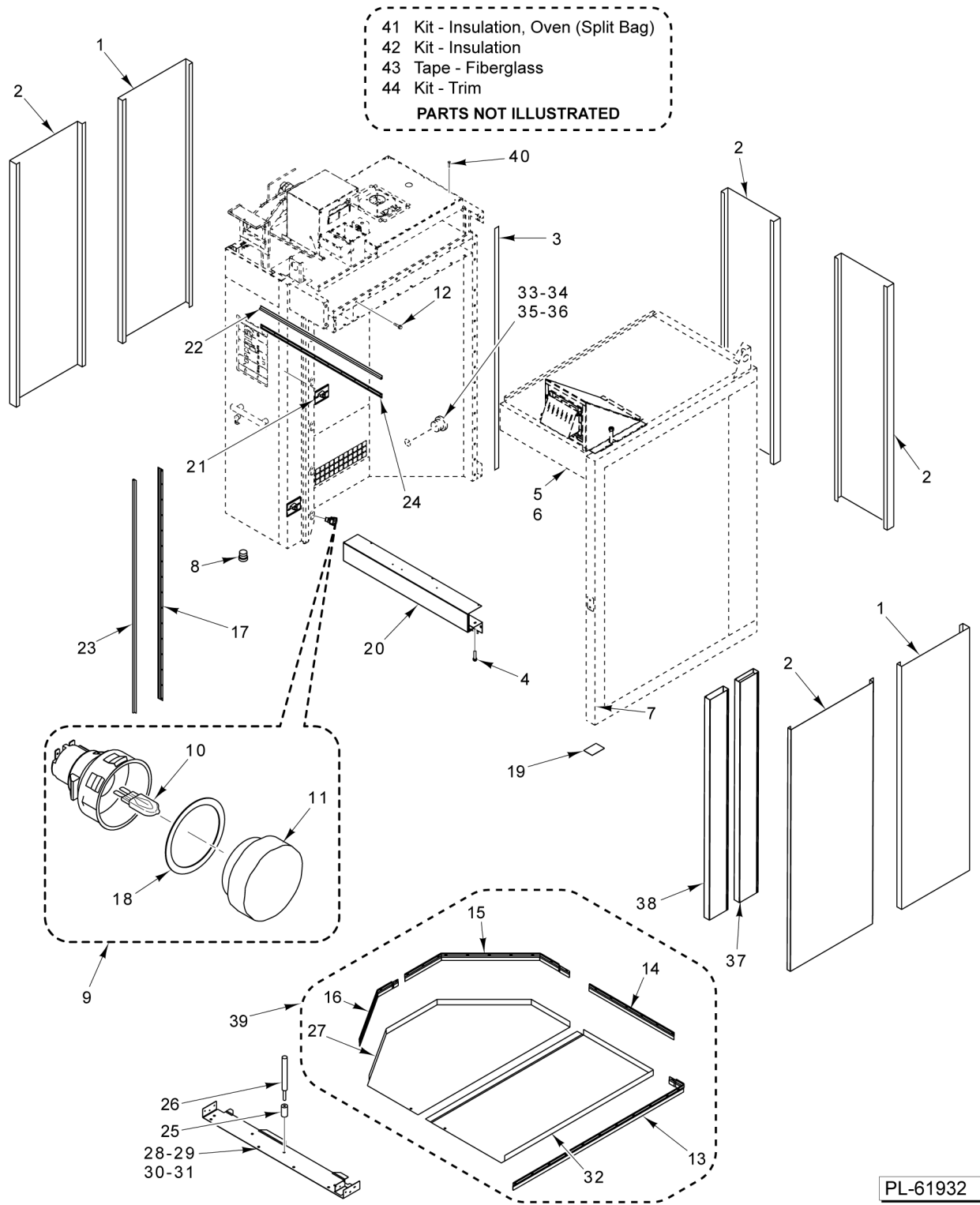


PL-61931

**CABINET
(SINGLE RACK)
(ML-132589 & ML-132648)**

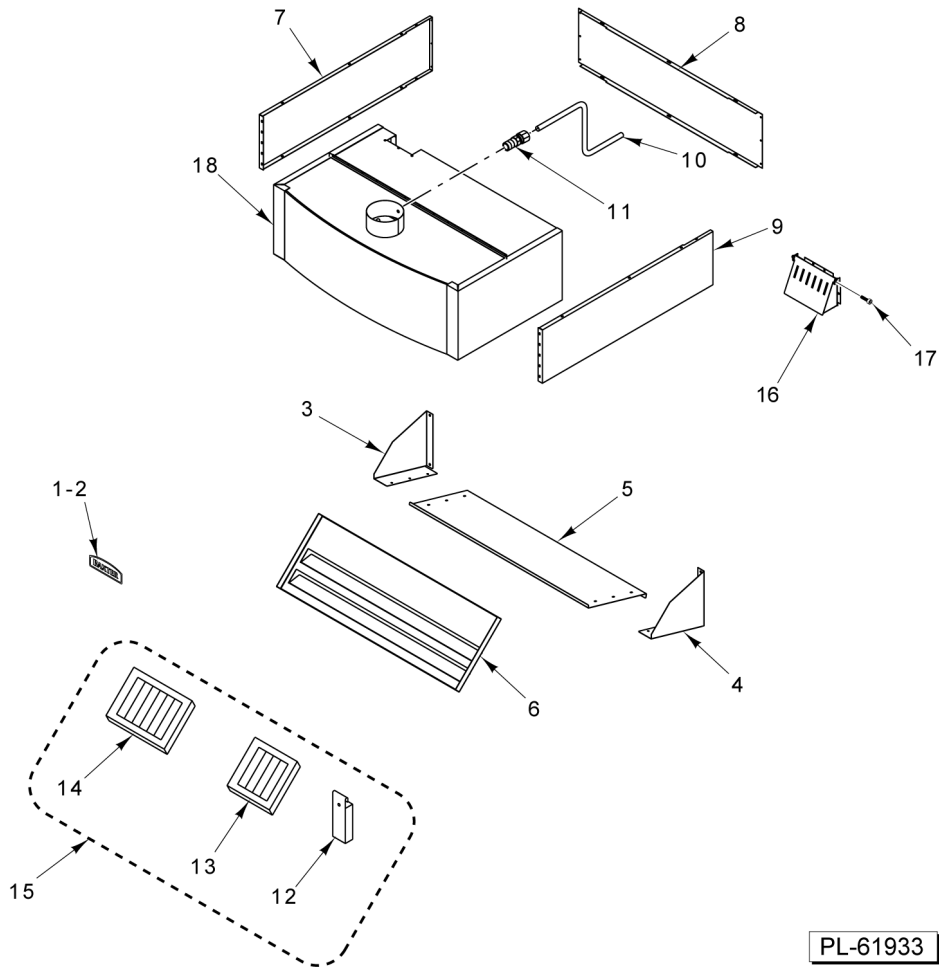
**CABINET
(SINGLE RACK)
(ML-132589 & ML-132648)**

ILLUS.	PART NO.	NAME OF PART	AMT.
PL-61931			
1	01-1M5672-00002	Skin - Outer.....	1
2	01-1M5672-00001	Skin - Outer.....	1
3	01-1M5672-00002	Skin - Outer.....	1
4	01-1M5672-00001	Skin - Outer.....	1
5	01-1M5672-00002	Skin - Outer.....	1
6	01-1M5672-00001	Skin - Outer.....	1
7	01-100V21-0065A	Tape - Fiberglass (1/8 x 1).....	AR
8	01-1000V4-00283	Mach. Screw 1/4-20 x 3/4 Hex Washer Hd. (SST).....	AR
9	01-1M5460-00001	Panel - False Ceiling (LH) (Incls. Item 42).....	1
10	01-1M5460-00002	Panel - False Ceiling (RH).....	1
11	01-100V16-00789	Gasket - Loading Door.....	AR
12	01-1000V7-0027L	Lens - Glass.....	1
13	01-1M6119-00103	Cover - Bottom Header.....	1
14	01-1M6159-00101	Retainer - Gasket Loading Door (ML-132589, ML-132590).....	2
15	01-1M6159-00103	Retainer - Gasket Horizontal (ML-132589, ML-132590).....	1
16	01-1M6119-00101	Header - Top Door Loading (ML-132589, ML-132590).....	1
17	01-1M5610-00201	Shim.....	AR
18	01-1M7105-00101	Trim - Floor (Right) (Fiberglass Tape Not Included, Order Item 7).....	1
19	01-1M7105-00102	Trim - Floor (Rear) (Fiberglass Tape Not Included, Order Item 7).....	1
20	01-1M7105-00103	Trim - Floor (Left) (Fiberglass Tape Not Included, Order Item 7).....	1
21	01-1000V4-00283	Mach. Screw 1/4-20 x 3/4 Hex Washer Hd. (SST).....	AR
22	01-1000V4-0073A	Tool - Setting.....	1
23	01-1000V4-00073	Anchor - Drop-In 1/4-20.....	1
24	01-1M7230-00001	Floor - Single (One Piece) (ML-132589, ML-132590).....	1
25	01-1M6116-00002	Ramp Lock - Weldment.....	2
26	01-100V16-0789A	Gasket - Loading Door (Vertical) (ML-132589, ML-132590).....	2
27	01-1M7120-00001	Front Drain Assy. (Incls. Items 28 thru 32).....	1
28	01-100V17-00533	Pipe 6-1/2 x 1/2 (SST).....	1
29	01-100V17-00538	Elbow 1/2 Street (SST).....	2
30	01-100V17-00183	Coupler 1/2 In. (SST).....	4
31	01-100V17-00532	Pipe 3/4 x 1/2 (SST).....	1
32	01-100V17-00766	Plug - 1/2 NPT.....	1
33	01-1M2335-00001	Wheel (For Installation).....	1
34	01-1M7105-00001	Kit - Floor Trim (Single) (Incls. Items 7, 18 thru 20).....	AR
35	01-1000V7-00059	Ring - Pressure.....	1
36	01-1000V7-00053	Lamp - Oven (Complete) (Lens, Base, & Bulb) (Incls. Items 12, 35, & 37).....	5
37	01-1000V7-00054	Bulb - Halogen G9 Base.....	AR
38	01-1M7339-00001	Kit - Insulation (Single Rack).....	1
39	01-1M7340-00001	Kit - Insulation, Oven (Single Rack Split).....	1
40	01-1M7105-00001	Kit - Floor Trim (Single).....	1
41	01-1000V4-00121	Insert - Threaded 10-32 Hex.....	1
42	01-1000V4-00122	Insert - Threaded 1/4-20.....	1
43	01-1M7090-00101	Retainer - Gasket (Horizontal) (ML-132648).....	1
44	01-1M7090-00202	Retainer - Gasket (ML-132648).....	2
45	01-1M7031-00101	Cover - Header (One Piece Header Cover) (ML-132648).....	1
46	01-1M7101-00101	Floor - Skin (RH) (ML-132648).....	1
47	01-1M7102-00101	Floor - Skin (LH) (ML-132648).....	1
48	01-1M7047-00101	Plate - Threshold (ML-132648).....	1
49	01-100V16-0789E	Gasket - Loading Door (Vertical) (ML-132648).....	2



**CABINET
(DOUBLE RACK) (ML-132590)**

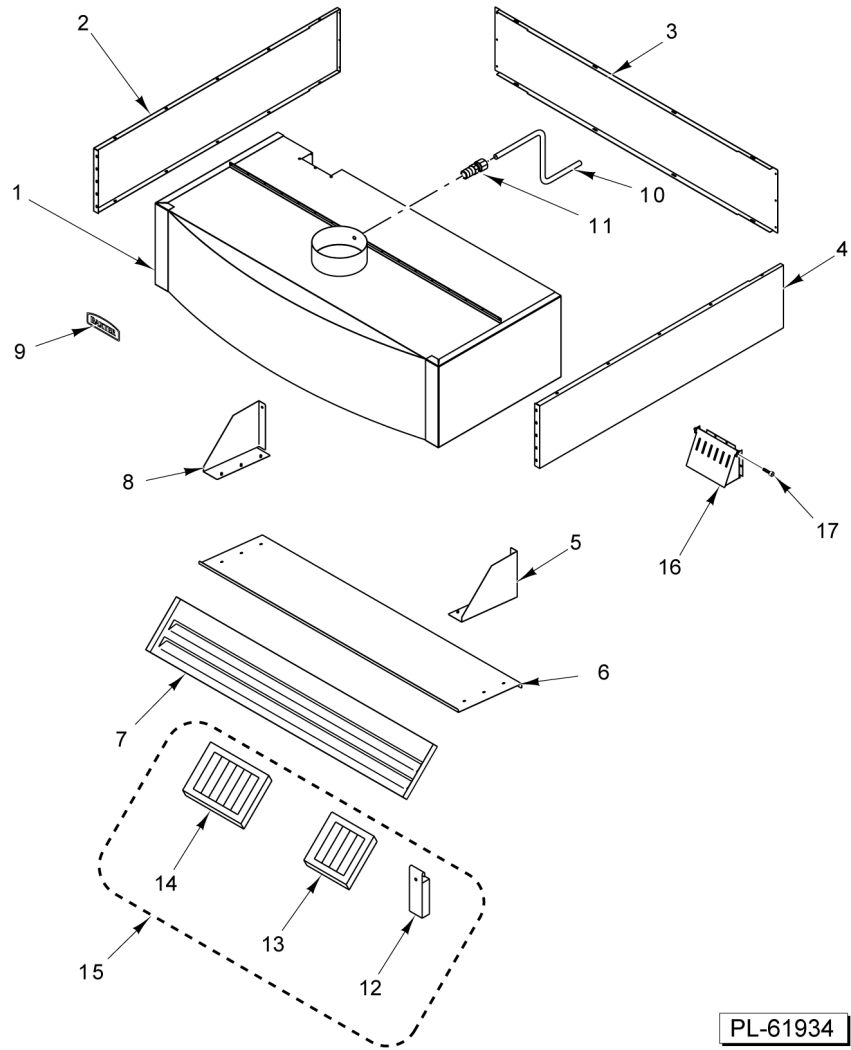
ILLUS. PL-61932	PART NO.	NAME OF PART	AMT.
1	01-1M7061-00202	Skin - Outer (22.475 In.).....	2
2	01-1M7061-00201	Skin - Outer (28.625 In.).....	4
3	01-100V21-0065A	Tape - Fiberglass (1/8 x 1) (With Adhesive) (Sold Per Foot).....	AR
4	01-1000V4-00498	Mach. Screw Pan Hd. 1/4-20 x 3/4, Nylock.....	AR
5	01-1M7049-00002	Ceiling Assy. - False (LH).....	1
6	01-1M7049-00004	Ceiling Assy. - False (RH).....	1
7	01-1M2335-00001	Wheel (For Installation).....	1
8	01-100V17-00766	Plug - 1/2 NPT.....	1
9	01-1000V7-00053	Lamp - Oven (Complete) (Lens, Base, & Bulb) (Incls. Items 10, 11, and 18).....	5
10	01-1000V7-00054	Bulb - Halogen G9 Base.....	AR
11	01-1000V7-0027L	Lens - Glass.....	AR
12	01-1000V4-00058	Mach. Screw 5/16-18 x 3/4 Hex Washer Hd., Gimlet Pt. (SST).....	AR
13	01-1M7105-00201	Trim - Floor Assy. (RH).....	1
14	01-1M7105-00202	Trim Assy. - Floor (Rear).....	1
15	01-1M7105-00203	Trim - Rear Floor (Left Rear).....	1
16	01-1M7105-00204	Trim - Front Floor (Left Front).....	1
17	01-1M7090-00202	Retainer - Gasket (Loading Door).....	2
18	01-1000V7-0027G	Gasket.....	AR
19	01-1M5610-00201	Shim - Jamb Plate.....	AR
20	01-1M7031-00002	Header - Loading Door (Top).....	1
21	01-1M6116-00002	Ramp Lock - Weldment.....	2
22	01-100V16-0789B	Gasket - Loading Door (Horizontal) (45.31 In.).....	1
23	01-100V16-0789A	Gasket - Loading Door (Vertical) (75.25 In.).....	2
24	01-1M7090-00201	Retainer - Gasket (Horizontal).....	1
25	01-1000V4-00073	Anchor - Drop-In 1/4-20.....	1
26	01-1000V4-0073A	Tool - Setting (1/4 In.).....	1
27	01-1M7102-00002	Skin - Floor (LH) (Incls. Item 43).....	1
28	01-1M7047-00201	Threshold Weldment.....	1
29	01-1000V4-00221	Mach. Screw 1/4-20 x 1/2 Phil. Flat Hd. (SST).....	AR
30	01-1000V4-00222	Mach. Screw 1/4-20 x 3/4 Phil. Flat Hd. (SST).....	AR
31	01-1000V4-00223	Mach. Screw 1/4-20 x 1 Phil. Flat Hd. (SST).....	AR
32	01-1M7101-00002	Skin - Floor (RH) (Incls. Item 43).....	1
33	01-100V17-00183	Coupler 1/2 In. (SST).....	1
34	01-100V17-00533	Pipe 6-1/2 x 1/2 (SST).....	1
35	01-100V17-00733	Pipe 1/2 x 2-1/2 NPT (Non-Rear Drain).....	1
36	01-100V17-00771	Pipe 1/2 x 47 In.....	1
37	01-1M2566-00001	Duct - Side (Rear).....	1
38	01-1M2089-00001	Duct - Bottom Vent (Front).....	1
39	01-1M7104-00002	Kit - Floor (With Install Hardware) (Incls. Items 13 Thru 16, 27, & 32).....	1
40	01-1000V4-00426	Screw #10-16 x 3/4 Hex Hd. (Drill Tip) (SST).....	AR
41	01-1M7340-00002	Kit - Insulation, Oven (Split Bag).....	1
42	01-1M7339-00002	Kit - Insulation (Complete Oven Kit).....	1
43	01-100V21-0065A	Tape - Fiberglass (1/8 x 1).....	AR
44	01-1M7105-00002	Kit - Trim (Incls. Items 13 thru 16).....	1



**HOOD
(SINGLE RACK)
(ML-132589 & ML-132648)**

**HOOD
(SINGLE RACK)
(ML-132589 & ML-132648)**

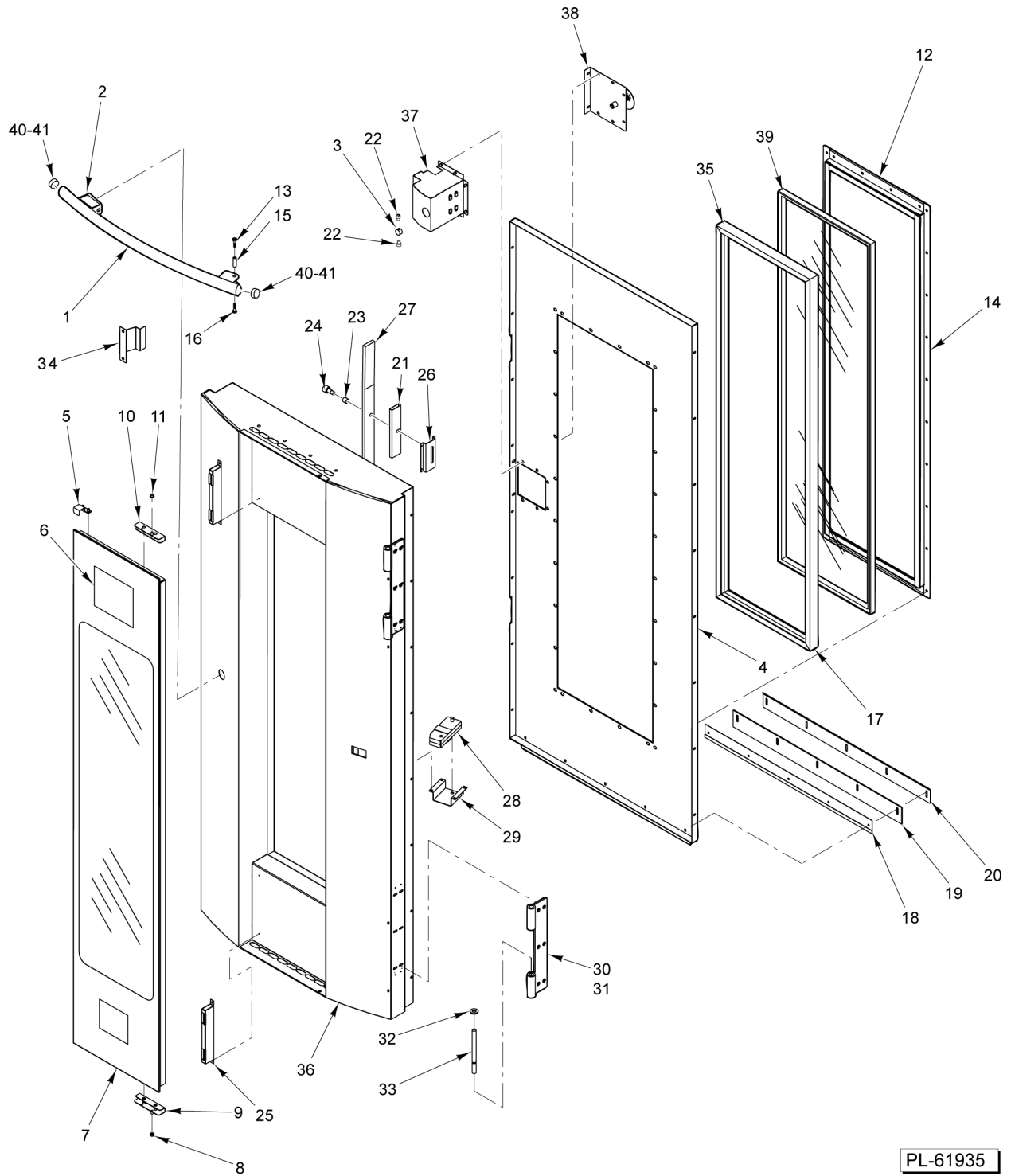
ILLUS. PL-61933	PART NO.	NAME OF PART	AMT.
1	01-100V16-0772B	Nameplate - Baxter Curved (9 In.).....	1
2	01-100V16-0772A	Nameplate - Baxter Flat (9 In.).....	1
3	01-1M7125-00001	Bracket - Plenum (Left).....	1
4	01-1M7125-00002	Bracket - Plenum (Right).....	1
5	01-1M7124-00001	Plenum - Hood.....	1
6	01-1M7123-00001	Baffle - Hood.....	1
7	01-1M6115-00101	Trim - Hood Side Single.....	1
8	01-1M5352-00001	Trim - Rear.....	1
9	01-1M6115-00101	Trim - Hood Side Single.....	1
10	01-100V17-00004	Tube 1/4 OD x 100 In. Lg. (Sold Per Inch).....	1
11	FP-078-49	Fitting - Tube (1/4 In.) (Brass).....	1
12	01-1M3032-00001	Cup - Hood Grease.....	1
13	01-100V18-00089	Filter - Hood 16 x 20 With Drop.....	1
14	01-100V18-00088	Filter - Hood 16 x 16 With Drop.....	2
15	01-1M5931-00001	Kit - Grease Filter (Single) (Incls. Items 12, 13, & 14).....	1
16	01-1M5624-00001	Over Pressure Vent Assy. (Incls. Item 17).....	1
17	01-1000V4-00572	Shoulder Screw, #10-32 X 3/8 Thread Length, .25 DIA X 3/8 Shoulder Length.....	2
18	01-1M7121-00003	Kit - Hood (Curved Front) (30 In.) (Standard Ovens) (Incls. Items 1, & 3 thru 9).....	1



**HOOD
(DOUBLE RACK) (ML-132590)**

**HOOD
(DOUBLE RACK) (ML-132590)**

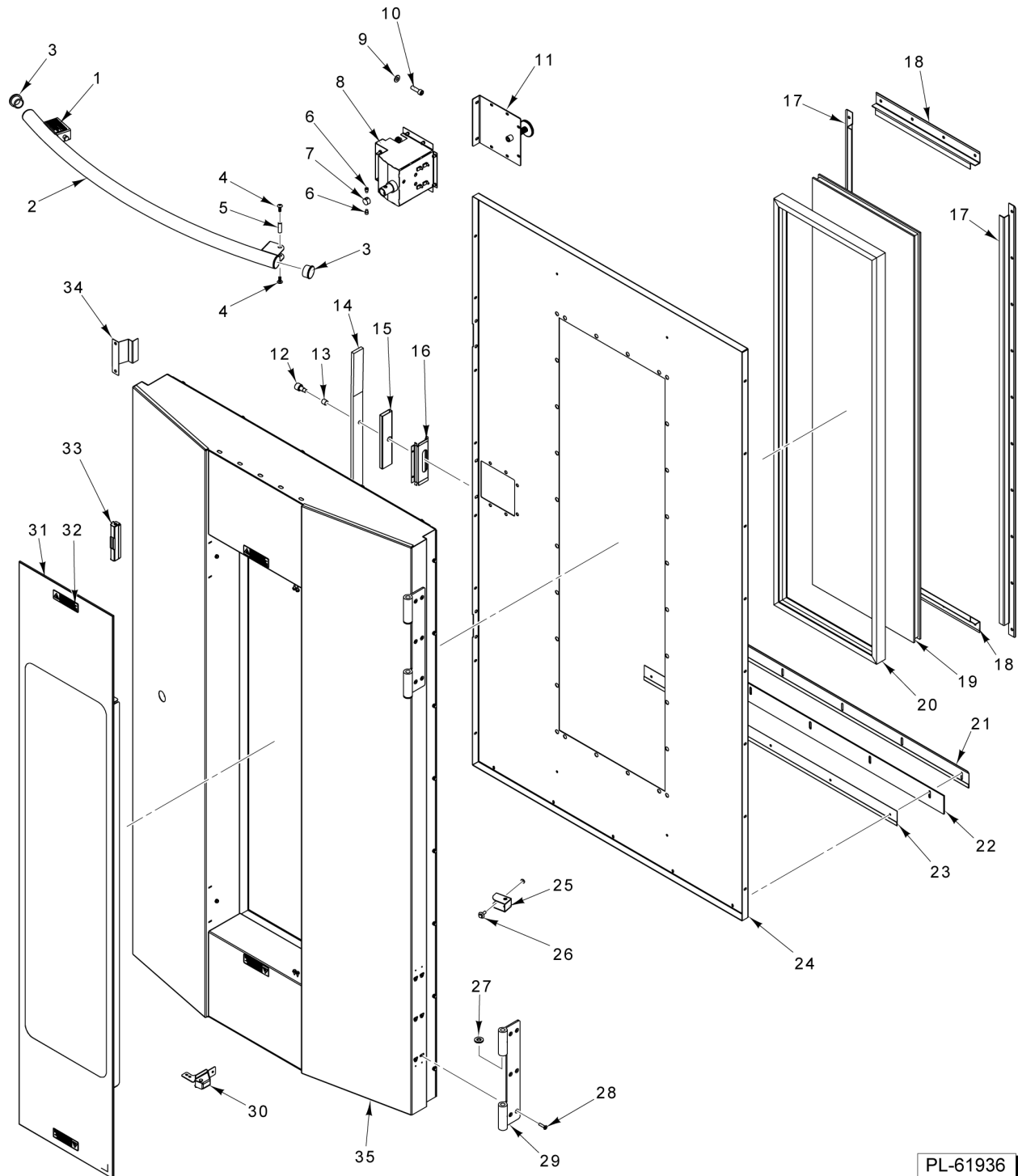
ILLUS. PL-61934	PART NO.	NAME OF PART	AMT.
1	01-1M7121-00004	Hood - Crated Assembly (Curved 30 In.).....	1
2	01-1M6115-00201	Trim - Side.....	1
3	01-1M6115-00202	Trim - Rear.....	1
4	01-1M6115-00201	Trim - Side.....	1
5	01-1M7125-00001	Bracket - Plenum (Left).....	1
6	01-1M7124-00002	Plenum - Hood.....	1
7	01-1M7123-00002	Baffle - Hood.....	1
8	01-1M7125-00002	Bracket - Plenum (Right).....	1
9	01-100V16-0772B	Nameplate - Baxter Curved (9 In.).....	1
10	01-100V17-00004	Tube 1/4 O.D. x 100 In. Lg. (Alum.) (Sold Per Inch).....	AR
11	FP-078-49	Fitting - Tube (1/4 In.) (Brass).....	1
12	01-1M3032-00001	Cup - Hood Grease.....	1
13	01-100V18-00089	Filter - Hood (16 x 20 W/Drop).....	1
14	01-100V18-00088	Filter - Hood (16 x 16 W/Drop).....	3
15	01-1M5931-00002	Kit - Grease Filter (Incls. Items 12, 13, & 14).....	1
16	01-1M5624-00001	Over Pressure Vent Assy. (Incls. Item 17).....	2
17	01-1000V4-00572	Shoulder Screw, #10-32 X 3/8 Thread Length, .25 DIA X 3/8 Shoulder Length.....	1



**LOADING DOOR
(SINGLE RACK)
(ML-132589 & ML-132648)**

**LOADING DOOR
(SINGLE RACK)
(ML-132589 & ML-132648)**

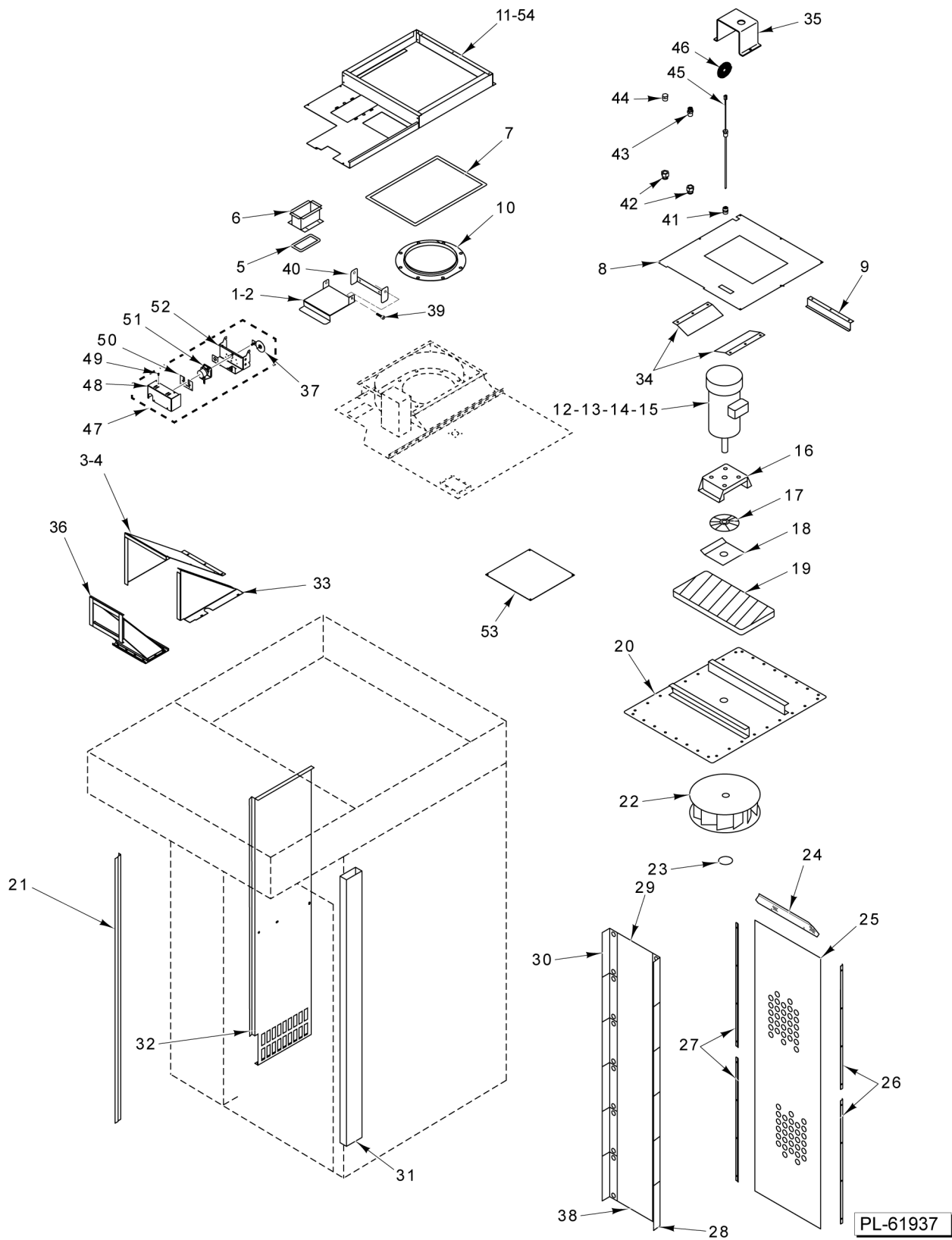
ILLUS. PL-61935	PART NO.	NAME OF PART	AMT.
1	01-1M6376-00001	Handle - Loading Door.....	1
2	01-100V16-00259	Label - Warning.....	2
3	01-1M6101-00102	Plug - Handle Mount.....	1
4	01-1M6101-00101	Skin - Inner Door.....	1
5	01-1M6110-00005	Bracket.....	1
6	01-100V16-0168C	Label - Caution (Hot).....	4
7	01-1M6946-00001	Kit - Outer Door Glass Assy. (Crated) (Incls. Items 5, 7 thru 10).....	1
8	01-1000V0-00095	Bearing - Glass Pivot Sleeve.....	1
9	01-1M6110-00002	Pivot - Bottom.....	1
10	01-1M6110-00003	Pivot - Top.....	1
11	01-1000V0-00095	Bearing - Glass Pivot Sleeve.....	1
12	01-1M6106-00002	Retainer - Window Horizontal.....	2
13		Mach. Screw 1/4-20 Phillips Flt. Hd.....	1
14	01-1M6105-00001	Retainer - Window Vertical.....	2
15	01-1M6101-00115	Pin - Handle Hinge (Curved).....	1
16		Mach. Screw 1/4-20 Phillips Flt. Hd.....	1
17	01-100V16-00766	Gasket - Window (One-Piece Fused Corners).....	1
18	01-1M6101-00112	Sweep - Inner Door.....	1
19	01-100V16-0779A	Gasket - Door Sweep.....	1
20	01-1M6101-00113	Sweep - Outer Door.....	1
21	01-1M6101-00210	Bearing - Lock Bar.....	2
22	01-1000V4-00369	Cap Screw 1/4 x 1/4 Hex Socket Hd. (Zinc-Plated).....	AR
23	01-1M7093-00103	Sleeve - Roller.....	1
24	01-1000V0-00135	Bearing - Door Latch Roller.....	2
25	01-1M6149-00001	Magnet - Outer Door Weldment.....	2
26	01-1M6101-00109	Lock - Retainer Bar.....	2
27	01-1M7099-00001	Bar - Lock.....	2
28	01-1M6166-00001	Bracket - Handle Pivot.....	1
29	01-1M6166-00002	Support - Handle Pivot.....	1
30	01-1M5918-00003	Hinge Assy. - Jamb Hinge (Incls. Item 31, 32, & 33).....	2
31	01-1M5918-00301	Hinge - Door (Female).....	2
32	01-1000V0-00080	Bearing - Door Hinge (Brass).....	4
33	01-1M5918-00201	Pin - Hinge Loading Door.....	4
34	01-1M6526-00001	Bracket - Actuator, Door Switch.....	1
35	01-100V21-0065A	Tape - Fiberglass (1/8 x 1).....	AR
36	01-1M6199-00001	Door Assy. (Incls. Items 1 thru 35, 39, 40, & 41).....	1
37	01-1M6108-00001	Latch Assy. (Mechanism).....	1
38	01-1M7343-00001	Handle - Interior Door.....	1
39	01-100V16-00765	Glass - Double Pane.....	1
40	00-913135-00228	Plug - Snap In (Round).....	2
41	01-1M6103-0203B	Cap - End (Door Handle) (Oval).....	AR



**LOADING DOOR
(DOUBLE RACK) (ML-132590)**

**LOADING DOOR
(DOUBLE RACK) (ML-132590)**

ILLUS. PL-61936	PART NO.	NAME OF PART	AMT.
1	01-100V16-00259	Label - Warning.....	2
2	01-1M7081-00002	Handle - Loading Door (Incls. Items 1 & 3).....	1
3	00-913135-00228	Plug - Snap In (Round).....	2
4	01-1000V4-00432	Mach. Screw 1/4-20 x 3/4 Phil. Pan Hd.....	AR
5	01-1M6101-00115	Pin - Handle Hinge (Curved).....	1
6	01-1000V4-00369	Cap Screw 1/4 x 1/4 Hex Socket Hd. (Zinc-Plated).....	2
7	01-1M6101-00102	Plug - Handle Mount.....	1
8	01-1M7095-00001	Latch Assy. (Mechanism).....	1
9	01-1000V4-00364	Washer 0.375 x 0.812 x 1/6.....	1
10	01-1000V4-00531	Screw 3/8 x 1-1/4 (SST).....	1
11	01-1M7343-00005	Handle - Interior Door.....	1
12	01-1000V0-00135	Bearing - Door Latch Roller.....	2
13	01-1M7093-00103	Sleeve - Roller.....	1
14	01-1M7099-00001	Bar - Lock.....	1
15	01-1M6101-00210	Bearing - Lock Bar.....	2
16	01-1M6101-00109	Lock - Retainer Bar.....	1
17	01-1M6105-00001	Retainer - Window Vertical.....	2
18	01-1M6106-00002	Retainer - Window Horizontal.....	2
19	01-100V16-00765	Glass - Double Pane.....	1
20	01-100V16-00766	Gasket - Window (One-Piece Fused Corners) (Outer Door).....	1
21	01-1M6101-00203	Sweep - Outer Door.....	1
22	01-100V16-0779B	Gasket - Door Sweep.....	1
23	01-1M6101-00202	Sweep - Inner Door.....	1
24	01-1M7093-00201	Skin - Inner Door.....	1
25	01-1M7093-00202	Bracket - Handle Pivot.....	1
26	01-1000V4-00283	Mach. Screw 1/4-20 x 3/4 Hex Washer Hd. (SST).....	2
27	01-1000V0-00080	Bearing - Door Hinge (Brass).....	4
28	01-1000V4-00499	Mach. Screw 1/4-20 x 1" Phillips Flt Hd (W/Patch) (SST).....	AR
29	01-1M5918-00301	Hinge - Door (Female).....	2
30	01-1M7434-00002	Hinge Assy. (Outer Door).....	2
31	01-1M6946-00002	Kit - Outer Door Glass Assy. (Incls. Item 32).....	1
32	01-100V16-0168C	Label - Caution.....	4
33	01-1M7433-00002	Magnet.....	2
34	01-1M6526-00001	Bracket - Actuator, Door Switch.....	1
35	01-1M6199-00004	Door Assy. (Crated).....	1



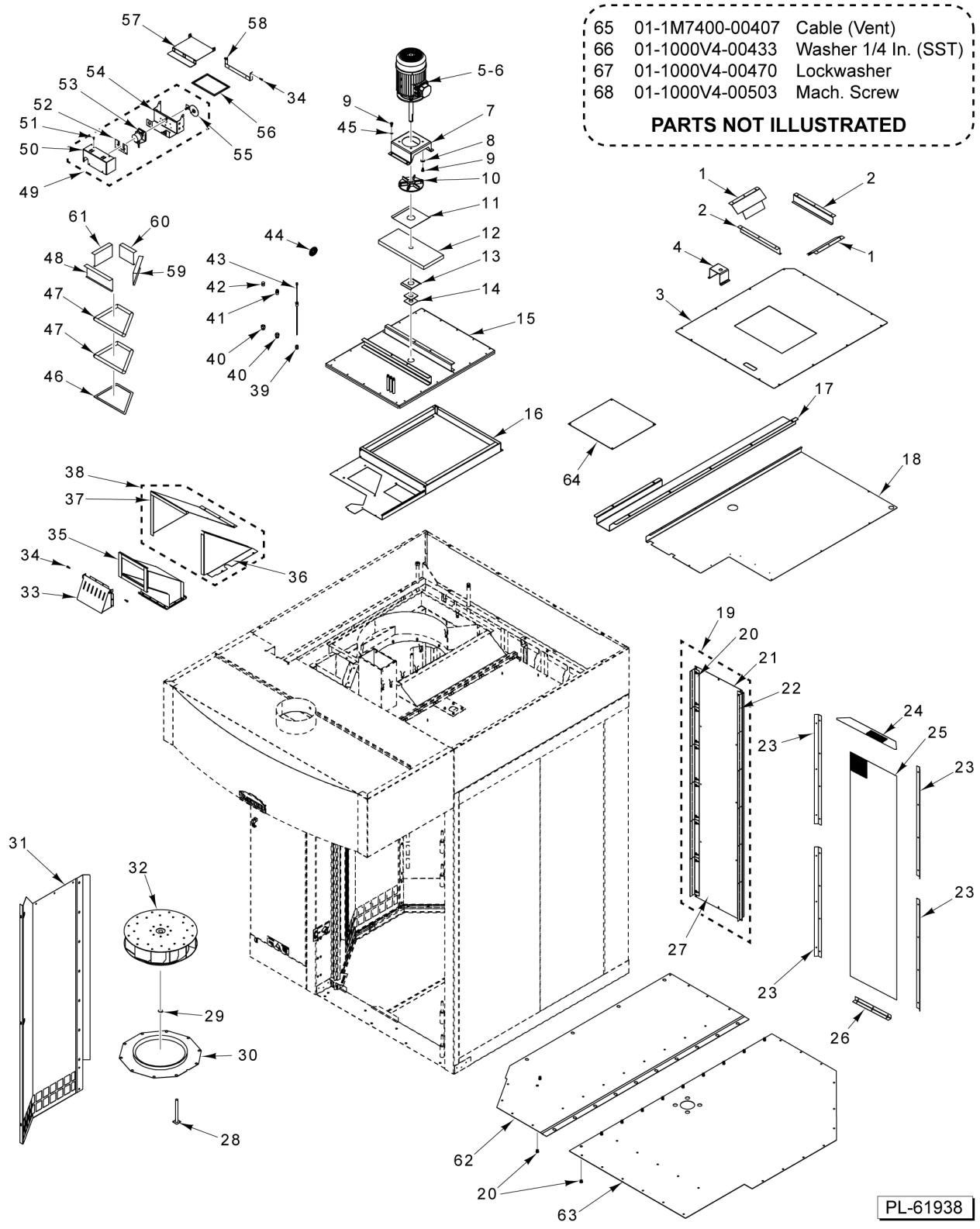
**BLOWER, PANELS, AND VENTS
(SINGLE RACK)
(ML-132589 & ML-132648)**

PL-61937

**BLOWER, PANELS, AND VENTS
(SINGLE RACK)
(ML-132589 & ML-132648)**

ILLUS. PL-61937	PART NO.	NAME OF PART	AMT.
1	01-1M6549-00001	Vent - Intake Lid.....	1
2	01-100V16-00682	Gasket - Vent Duct.....	1
3	01-1M6814-00001	Duct Assy. (Incls. Items 4 & 33).....	1
4	01-1M6814-00101	Cover - Duct (Side).....	1
*5	01-100V21-00072	Rope - Glass (3/4 Dia.).....	AR
6	01-1M5462-00001	Weldment - Rope Gasket.....	1
*7	01-100V21-0065A	Tape - Fiberglass (1/8 x 1).....	AR
8	01-1M5542-00001	Cover - Blower Insulation.....	1
9	01-1M2227-00001	Liner - Blower Insulation Cover.....	2
10	01-1M2451-00001	Bell - Inlet.....	1
11	01-1M6141-00001	Body - Insulation Blower Cover (LH) (ML-132589).....	1
12	01-1M2060-00002	Blower Assy. (3 Ph.) (Incls. Items 14, 16 thru 20, 22, & 23).....	1
13	01-1M2060-00004	Blower Assy. (1 Ph.) (Incls. Items 15 thru 20, 22, & 23).....	1
14	01-1000V8-00052	Motor - Blower (3 Ph., 1-1/2 Hp.).....	1
15	01-1000V8-00067	Motor - Blower (1 Ph., 2 Hp.).....	1
16	01-1M1360-00001	Mount - Blower Motor.....	1
17	01-1M2458-00001	Heat Slinger Assy.....	1
18	01-1M1794-00001	Cover - Blower Insulation.....	1
19	01-1M1795-00001	Insulation - Blower.....	1
20	01-1M2059-00001	Mount - Blower Weldment.....	1
21	01-1M5476-00001	Bracket - Mounting (Suction Panel).....	1
22	01-1000V8-00041	Wheel - Blower (15 In. Dia.).....	1
23	01-1000V1-00028	Ring - Snap.....	1
24	01-1M2101-00004	Z-Bar (Pressure Panel).....	1
25	01-1M2572-00001	Screen - Pressure Panel.....	1
26	01-1M2479-00002	Retainer - Pressure Screen (RH).....	2
27	01-1M2479-00003	Retainer - Pressure Screen (LH).....	2
28	01-1M5459-00002	Shutter - Pressure Panel 97 Deg.....	6
29	01-1M5523-00001	Body - Pressure Panel Shutter Support.....	1
30	01-1M5459-00001	Shutter - Pressure Panel 90 Deg.....	6
31	01-1M2089-00001	Duct - Bottom Vent.....	1
32	01-1M6964-00001	Panel - Suction.....	1
33	01-1M6814-00102	Cover - Duct (Top).....	1
34	01-1M1895-00001	Cover - Blower Insulation.....	2
35	01-1M1433-00001	Protector - Thermocouple.....	1
36	01-1M6803-00001	Duct - Vent.....	1
37	01-1M7410-00001	Vent Cam Assy.....	1
38	01-1M5458-00001	Panel - Pressure Shutter Assy. (Incls. Items 28, 29, & 30).....	1
39	01-1000V4-00572	Shoulder Screw, #10-32 X 3/8 Thread Length, .25 DIA X 3/8 Shoulder Length.....	2
40	01-1M6550-00101	Bracket - Vent Lid.....	1
41	01-100V17-00257	Coupling 1/4 NPT (Brass).....	1
42	01-100V17-00281	Coupler - Reducer 3/8 to 1/4.....	2
43	01-100V17-00304	Kit - Stuffing Box.....	1
44	01-100V17-00259	Plug - Pipe 3/8 NPT (Brass).....	1
45	01-100V10-00307	Sensor - Temp (9 In.).....	1
46	01-100V10-00361	Extender - Cable.....	1
47	01-1M7409-00001	Vent Motor Assy. (Incls. Items 37, & 48 thru 52).....	1
48	01-1M7409-00102	Cover - Vent.....	1
49	01-1000V4-00474	Screw 10-32 x 1/2 Hex Washer Hd. (Zinc).....	AR
50	01-1M7409-00103	Retainer - Vent.....	1
51	01-1000V8-00150	Motor - Vent Damper.....	1
52	01-1M7409-00101	Mount - Vent Bracket.....	1
53	01-1M2466-00001	Cover - Outer Exhaust Hole.....	1
54	01-1M7662-00001	Body - Blower Insulation Cover (LH) (ML-132648).....	1

* (Sold Per Inch)



**BLOWER, PANELS, AND VENTS
(DOUBLE RACK) (ML-132590)**

PL-61938

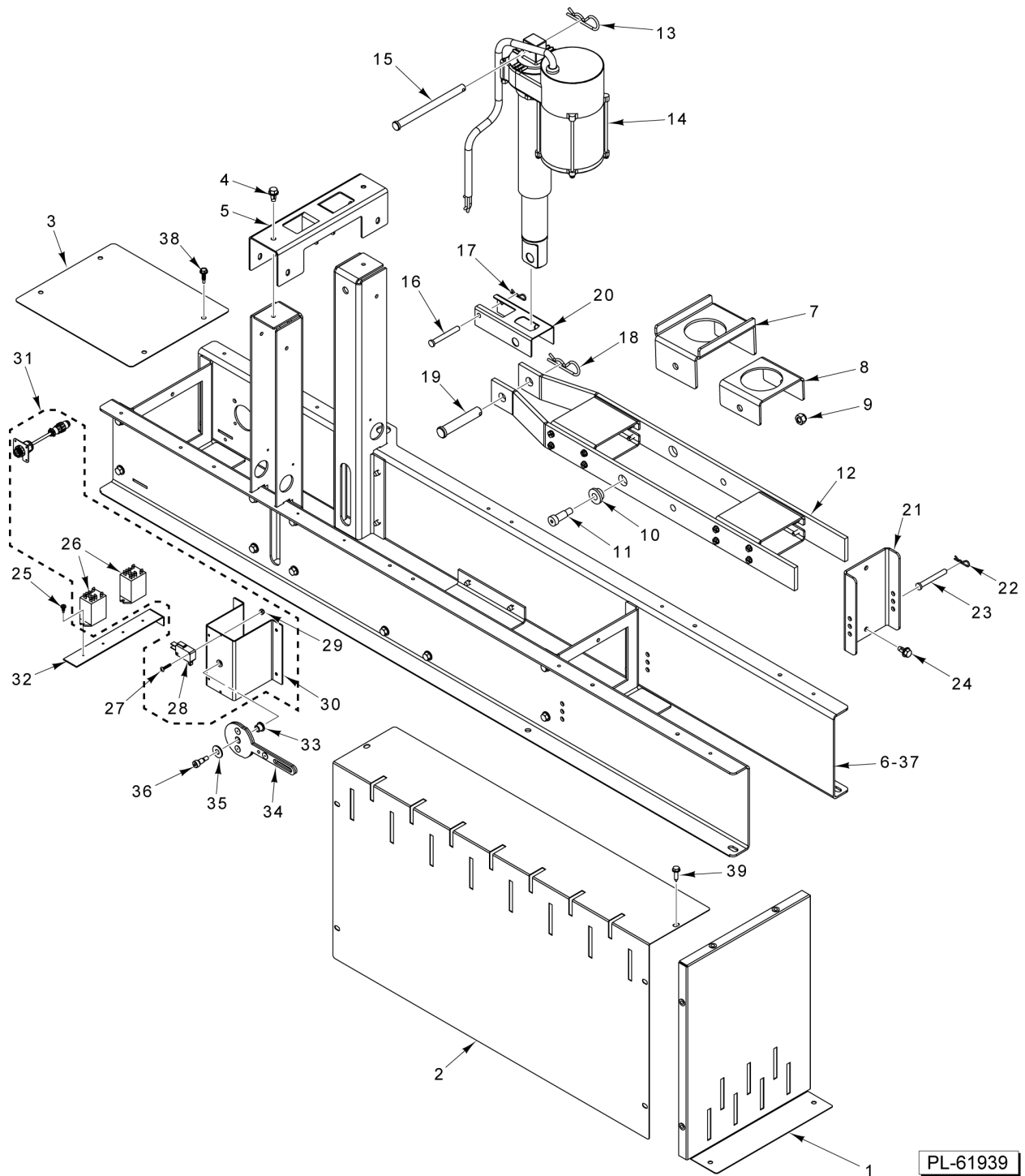
**BLOWER, PANELS, AND VENTS
(DOUBLE RACK) (ML-132590)**

ILLUS.	PART NO.	NAME OF PART	AMT.
PL-61938			
1	01-1M1895-00001	Cover - Blower Insulation.....	2
2	01-1M2227-00001	Liner - Blower Insulation Cover.....	2
3	01-1M6955-00205	Cover - Blower Insulation.....	1
4	01-1M1433-00001	Protector - Thermocouple.....	1
5	01-1000V8-00052	Motor - Blower (3 Ph., 1-1/2 Hp.).....	1
6	01-1000V8-00067	Motor - Blower (1 Ph., 2 Hp.).....	1
7	01-1M1360-00001	Mount - Blower Motor.....	1
8	01-1000V4-00438	Washer 3/8.....	4
9	01-1000V4-00437	Screw 3/4-16 x 3/4.....	8
10	01-1M2458-00001	Heat Slinger Assy.....	1
11	01-1M1794-00001	Cover - Blower Insulation.....	1
12	01-1M1795-00001	Insulation - Blower.....	1
13	01-1M1359-00001	Seal - Retainer.....	1
14	01-1M1361-00001	Seal - Retainer.....	2
15	01-1M7058-00002	Weldment - Blower Mount.....	1
16	01-1M7059-00002	Body - Insulation Blower Cover.....	1
17	01-1M7060-00202	Ceiling Skin - Channel Access.....	1
18	01-1M7060-00201	Ceiling Skin - Body (RH).....	1
19	01-1M5177-00001	Pressure Panel Assy.....	1
20	01-1000V4-00122	Insert - Threaded 1/4-20.....	AR
21	01-1M2096-00002	Body - Pressure Panel Shutter Support.....	1
22	01-1M5459-00002	Shutter - Pressure Panel 97 Deg.....	6
23	01-1M5686-00206	Retainer - Pressure Panel.....	4
24	01-1M5686-00207	Retainer - Pressure Panel Top.....	1
25	01-1M2572-00001	Screen - Pressure Panel.....	1
26	01-1M5686-00205	Retainer - Pressure Panel.....	1
27	01-1M5459-00001	Shutter - Pressure Panel 90 Deg.....	6
28	01-1M6774-00001	Tube - Weldment Highlimit.....	1
29	01-1000V1-00028	Ring - Snap.....	1
30	01-1M7056-00002	Bell - Inlet.....	1
31	01-1M7051-00002	Panel - Suction.....	1
32	01-1000V8-00058	Wheel - Blower (18 In. Dia.).....	1
33	01-1M5624-00001	Over Pressure Vent Assy.....	1
34	01-1000V4-00572	Shoulder Screw, #10-32 X 3/8 Thread Length, .25 DIA X 3/8 Shoulder Length.....	4
35	01-1M7066-00002	Duct - Vent.....	1
36	01-1M6814-00101	Cover - Duct (Side).....	1
37	01-1M6814-00102	Cover - Duct (Top).....	1
38	01-1M6814-00001	Duct Assy.....	1
39	01-100V17-00257	Coupling 1/4 NPT (Brass).....	1
40	01-100V17-00281	Coupler - Reducer 3/8 to 1/4.....	2
41	01-100V17-00304	Kit - Stuffing Box.....	1
42	01-100V17-00259	Plug - Pipe 3/8 NPT (Brass).....	1
43	01-100V10-00307	Sensor - Temp (9 In.).....	1
44	01-100V10-00361	Extender - Cable.....	1
45	01-1000V4-00439	Lockwasher 3/8 Internal.....	4
46	01-1M5982-00204	Collector (Top Gap Filler).....	1
47	01-100V21-00072	Rope - Glass (3/4 Dia.).....	AR
48	01-1M5015-00001	Retainer - Exhaust Stack Packing, Front.....	1
49	01-1M7409-00001	Vent Motor Assy. (Incls. Items 50 thru 55).....	1
50	01-1M7409-00102	Cover - Vent.....	1
51	01-1000V4-00474	Screw 10-32 x 1/2 Hex Washer Hd. (Zinc).....	AR
52	01-1M7409-00103	Retainer - Vent.....	1
53	01-1000V8-00150	Motor - Vent Damper.....	1
54	01-1M7409-00101	Mount - Vent Bracket.....	1
55	01-1M7410-00001	Vent Cam Assy.....	1

**BLOWER, PANELS, AND VENTS
(DOUBLE RACK) (ML-132590)**

ILLUS.	PART NO.	NAME OF PART	AMT.
PL-61938			
56	01-100V16-00682	Gasket - Vent Duct (Sold per Inch).....	1
57	01-1M6549-00001	Vent - Intake Lid.....	1
58	01-1M6550-00101	Bracket - Vent Lid.....	1
59	01-1M5015-00002	Retainer - Exhaust Stack Packing (Right).....	1
60	01-1M5015-00003	Retainer - Exhaust Stack Packing (Rear).....	1
61	01-1M5015-00004	Retainer - Exhaust Stack Packing (Left).....	1
62	01-1M7049-00002	Ceiling Assy. - False (LH) (Incls. Item 20).....	1
63	01-1M7049-00004	Ceiling Assy. - False (RH) (Incls. Item 20).....	1
64	01-1M2466-00001	Cover - Outer Exhaust Hole.....	1
65	01-1M7400-00407	Cable (Vent).....	1
66	01-1000V4-00433	Washer 1/4 In. (SST).....	AR
67	01-1000V4-00470	Lockwasher 1/4 In. (SST).....	AR
68	01-1000V4-00503	Mach. Screw 1/4-20 x 1/2 In. (SST).....	AR

NOTES

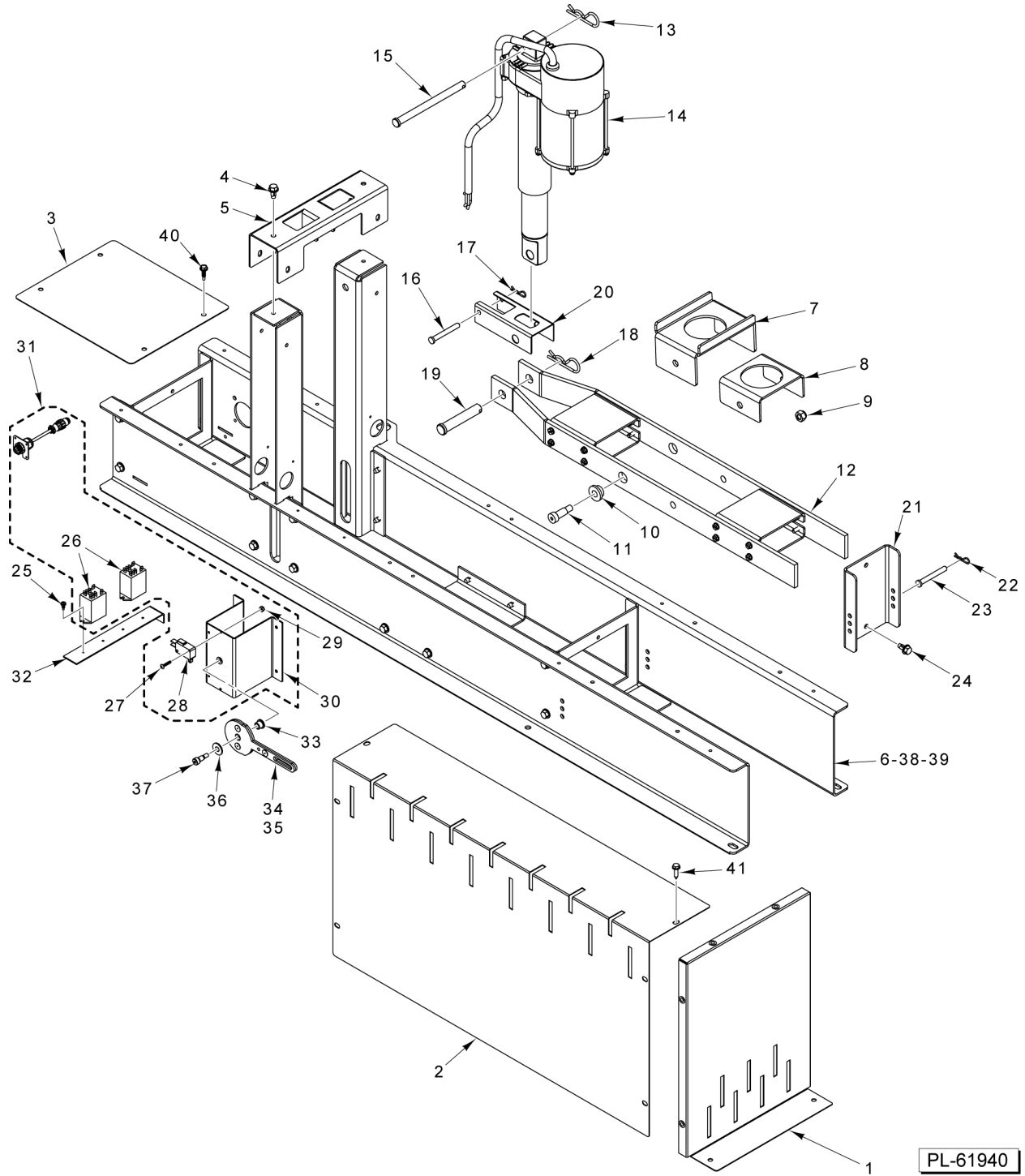


PL-61939

**LIFTER
(SINGLE RACK)
(ML-132589 & ML-132648)**

**LIFTER
(SINGLE RACK)
(ML-132589 & ML-132648)**

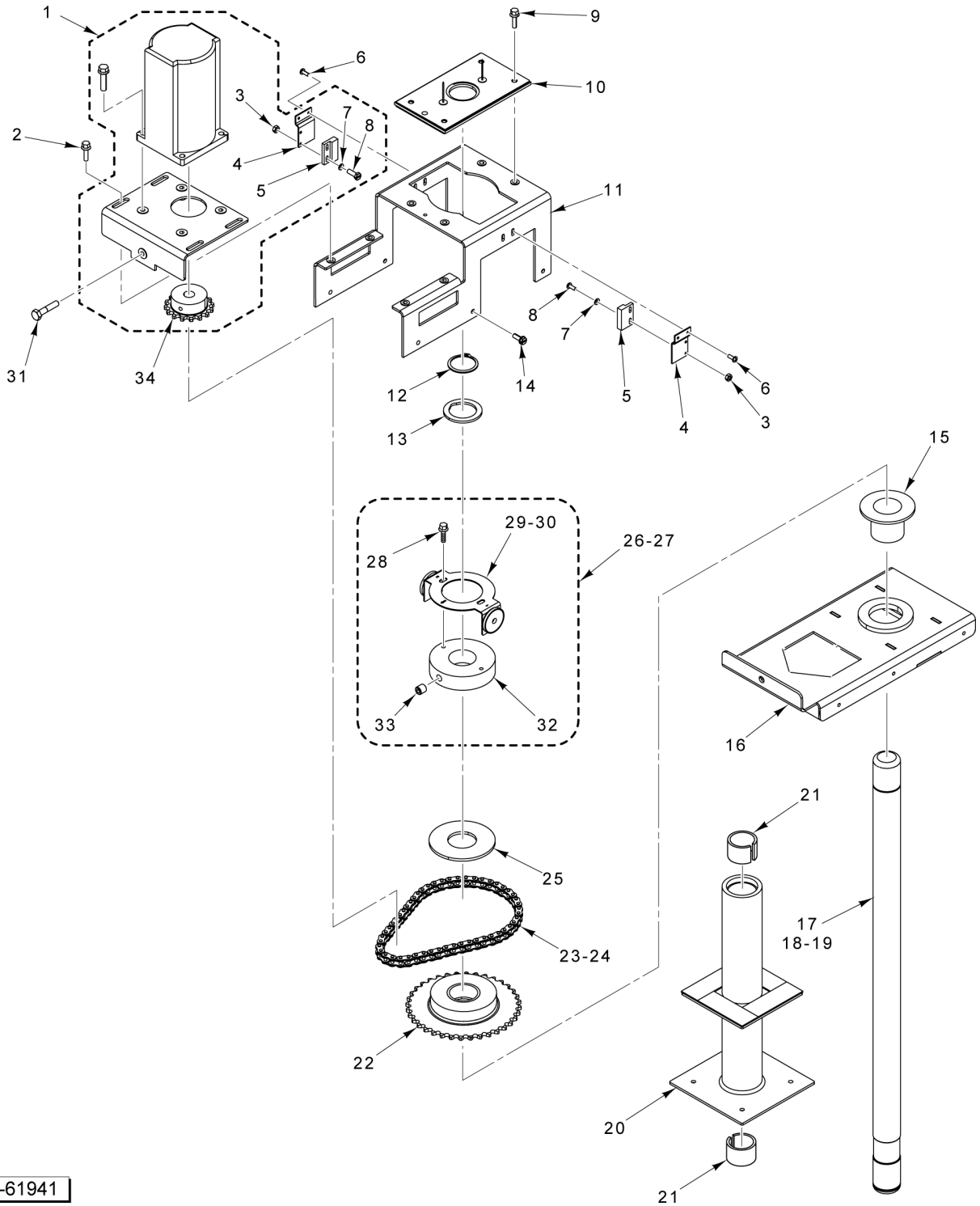
ILLUS. PL-61939	PART NO.	NAME OF PART	AMT.
1	01-1M6608-00001	Cover - Front/Back.....	2
2	01-1M6608-00002	Cover - Side.....	2
3	01-1M6608-00003	Cover - Front.....	1
4	01-1000V4-00436	Screw 1/4-20 x 1/2 Hex Hd.....	6
5	01-1M7544-00101	Bracket - Support.....	1
6	01-1M7544-00001	Body - Rack Lift Assy.....	1
7	01-1M6601-00103	Support - Rotator.....	1
8	01-1M6601-00104	Support - Rotator.....	1
9	01-1000V4-00380	Nut 5/16-18 NYLOCK.....	2
10	01-1000V0-00121	Bearing.....	2
11	01-1000V4-00379	Bolt - Shoulder.....	2
12	01-1M6601-00001	Lifting Arm Assy.....	1
13	01-1000V1-0086A	Pin - Cotter.....	1
14	01-1M7699-00001	Kit - Actuator W/ Bracket (Incls. Item 20).....	1
15	01-1000V1-00108	Pin 3/8 x 5 In.....	1
16	01-1000V1-00087	Pin - Clevis (1/4 x 2 In.).....	1
17	01-1000V1-0087A	Pin.....	1
18	01-1000V1-0086A	Pin - Cotter.....	1
19	01-1000V1-00109	Pin - Clevis (1/2 x 2-3/4 In.).....	1
20	01-1M7698-00001	Bracket - Lift Actuator.....	1
21	01-1M6600-00203	Bracket - Support.....	1
22	01-1000V1-0087A	Pin.....	2
23	01-1000V1-00087	Pin - Clevis (1/4 x 2 In.).....	2
24	01-1000V4-00436	Screw 1/4-20 x 1/2 Hex Hd.....	2
25	01-1000V4-00510	Screw Mach. - Pan Head (6-20 x 0.375).....	4
26	01-1000V6-00271	Relay - D.P.D.T. (1/2 Hp., 120 VAC).....	2
27	01-1000V4-00461	Screw 4-40 x 5/8 (SST).....	4
28	01-1000V6-00343	Switch - Lever SPST.....	2
29	01-1000V4-00355	Nut.....	4
30	01-1M6603-00001	Bracket Assy. - Switch.....	1
31	01-1M6630-00004	Lift Switch Assy. (Incls. Items 26 thru 30).....	1
32	01-1M6600-00104	Bracket - Relay.....	1
33	01-1000V0-00139	Bearing - Flanged Sleeve.....	1
34	01-1M7551-00102	Cam - Lift Switch.....	1
35	01-1000V4-00433	Washer 1/4 In. (SST).....	1
36	01-1000V4-00572	Shoulder Screw, #10-32 X 3/8 Thread Length, .25 DIA X 3/8 Shoulder Length.....	1
37	01-1M7551-00003	Rack Lift Assy.....	1
38	01-1000V4-00426	Screw #10-16 x 3/4 Hex Hd. (Drill Tip) (SST).....	8
39	01-1000V4-00400	Cap Screw 10-32 x 3/4 Hex Hd. (SST).....	AR



**LIFTER
(DOUBLE RACK) (ML-132590)**

**LIFTER
(DOUBLE RACK) (ML-132590)**

ILLUS. PL-61940	PART NO.	NAME OF PART	AMT.
1	01-1M6608-00001	Cover - Front/Back.....	2
2	01-1M6608-00002	Cover - Side.....	2
3	01-1M6608-00004	Cover - Front.....	1
4	01-1000V4-00436	Screw 1/4-20 x 1/2 Hex Hd.....	6
5	01-1M7544-00101	Bracket - Support.....	1
6	01-1M7544-00002	Body - Rack Lift Assy.....	1
7	01-1M6601-00103	Support - Rotator.....	1
8	01-1M6601-00104	Support - Rotator.....	1
9	01-1000V4-00380	Nut 5/16-18 NYLOCK.....	2
10	01-1000V0-00121	Bearing.....	2
11	01-1000V4-00379	Bolt - Shoulder.....	2
12	01-1M6601-00001	Lifting Arm Assy.....	1
13	01-1000V1-0086A	Pin - Cotter.....	1
14	01-1M7699-00001	Kit - Actuator W/ Bracket (Incls. Item 20).....	1
15	01-1000V1-00108	Pin 3/8 x 5 In.....	1
16	01-1000V1-00087	Pin - Clevis (1/4 x 2 In.).....	1
17	01-1000V1-0087A	Pin.....	1
18	01-1000V1-0086A	Pin - Cotter.....	1
19	01-1000V1-00109	Pin - Clevis (1/2 x 2-3/4 In.).....	1
20	01-1M7698-00001	Bracket - Lift Actuator.....	1
21	01-1M6600-00203	Bracket - Support.....	1
22	01-1000V1-0087A	Pin.....	2
23	01-1000V1-00087	Pin - Clevis (1/4 x 2 In.).....	2
24	01-1000V4-00436	Screw 1/4-20 x 1/2 Hex Hd.....	2
25	01-1000V4-00510	Screw Mach. - Pan Head (6-20 x 0.375).....	4
26	01-1000V6-00271	Relay - D.P.D.T. (1/2 Hp., 120 VAC).....	2
27	01-1000V4-00461	Screw 4-40 x 5/8 (SST).....	4
28	01-1000V6-00343	Switch - Lever SPST.....	2
29	01-1000V4-00355	Nut.....	4
30	01-1M6603-00001	Bracket Assy. - Switch.....	1
31	01-1M6630-00004	Lift Switch Assy. (Incls. Items 26 thru 30).....	1
32	01-1M6600-00104	Bracket - Relay.....	1
33	01-1000V0-00139	Bearing - Flanged Sleeve.....	1
34	01-1M7551-00102	Cam - Lift Switch (B & C Style).....	AR
35	01-1M7551-00104	Cam - Lift Switch (A Style).....	AR
36	01-1000V4-00433	Washer 1/4 In. (SST).....	1
37	01-1000V4-00572	Shoulder Screw, #10-32 X 3/8 Thread Length, .25 DIA X 3/8 Shoulder Length.....	1
38	01-1M7551-00004	Rack Lift Assy. (B or C Type Lifter).....	1
39	01-1M7551-00008	Rack Lift Assy. (A Type Lifter).....	1
40	01-1000V4-00426	Screw #10-16 x 3/4 Hex Hd. (Drill Tip) (SST).....	8
41	01-1000V4-00400	Cap Screw 10-32 x 3/4 Hex Hd. (SST).....	AR

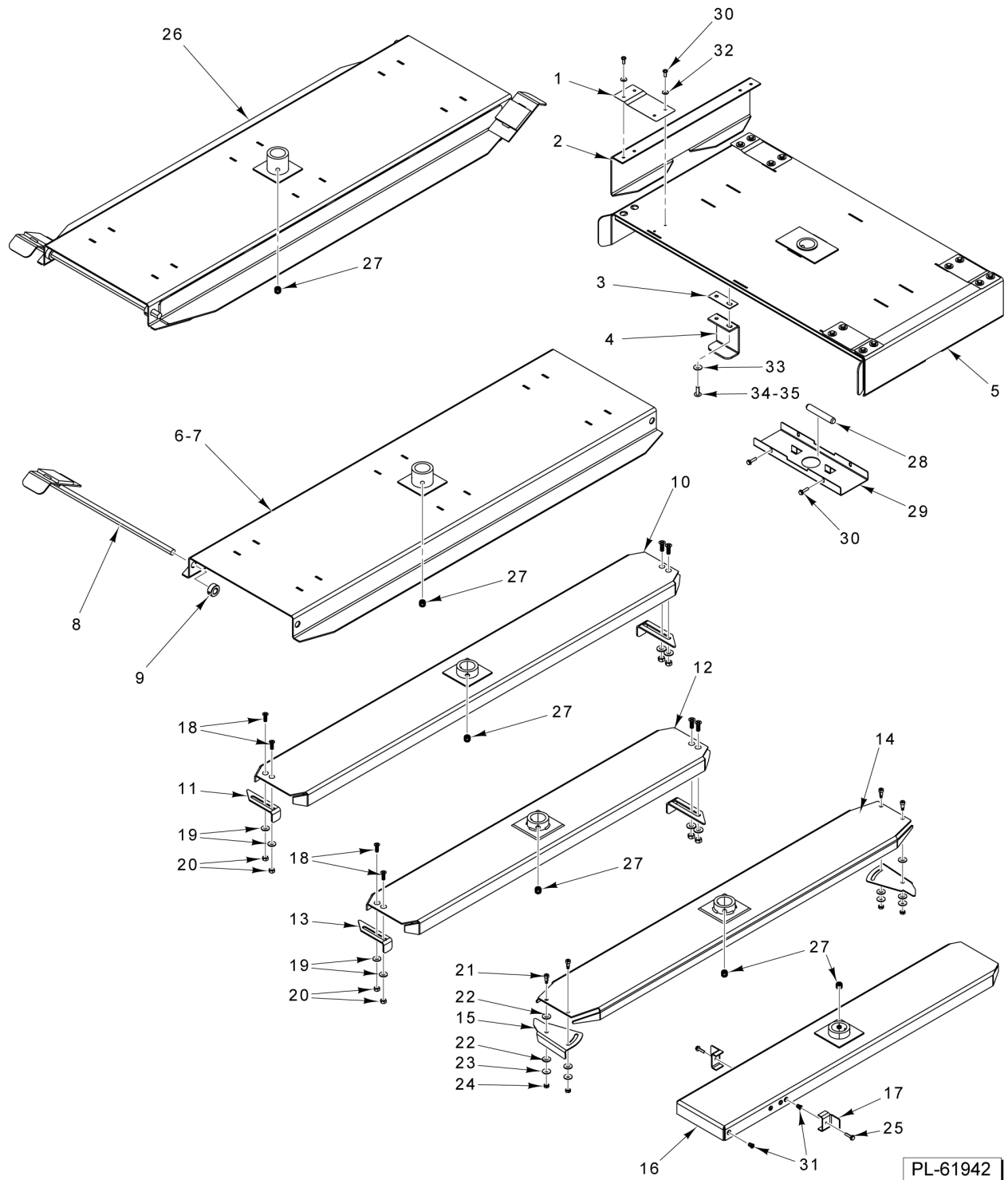


PL-61941

ROTATOR

ROTATOR

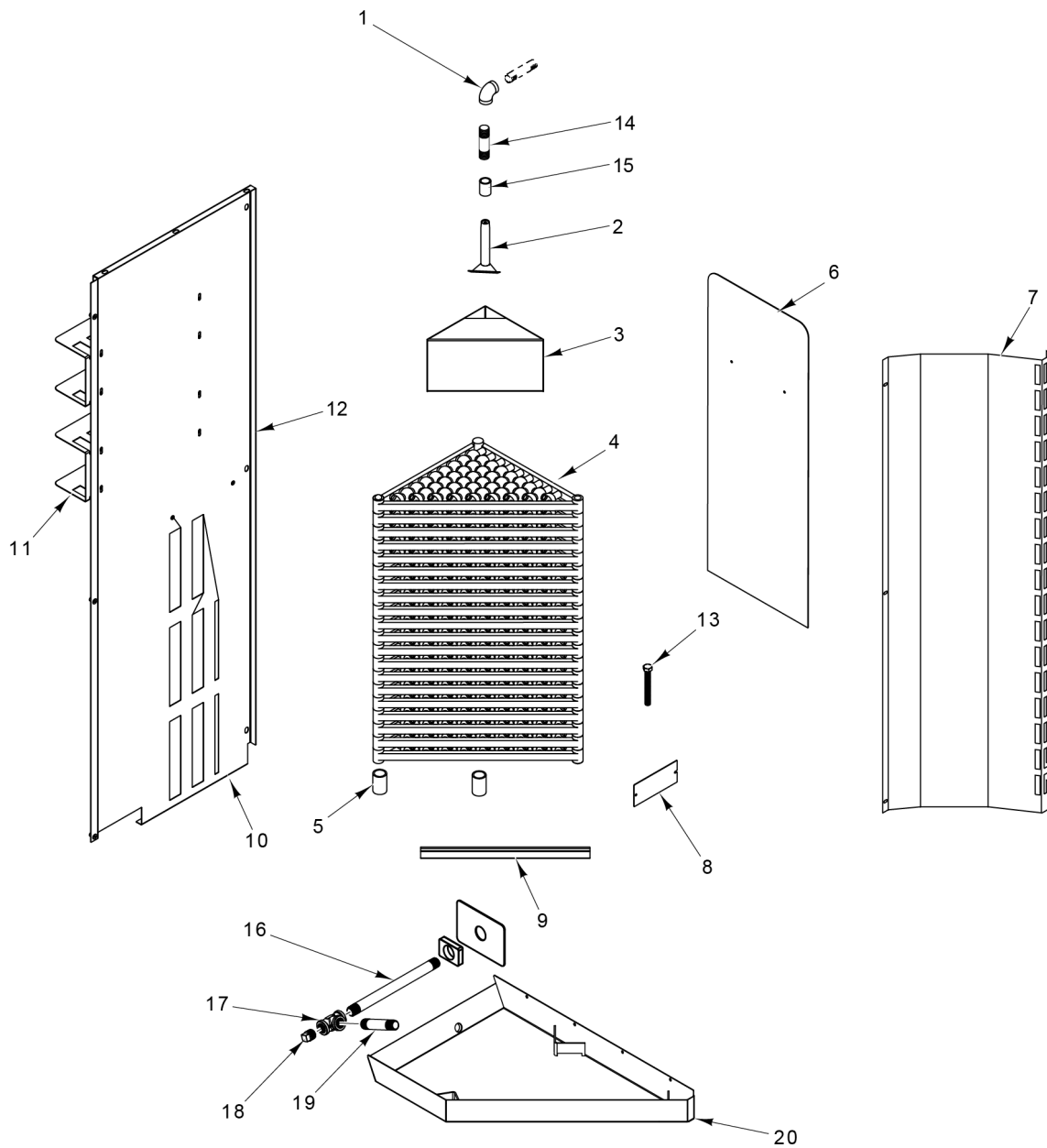
ILLUS. PL-61941	PART NO.	NAME OF PART	AMT.
1	01-1M7318-00001	Rotation Motor Assy. (Incls. Items 3 thru 5, 7, 8, & 34).....	1
2	01-1000V4-00284	Screw 10-32 x 3/4 Hex Washer Hd., Serrated Flange (SST).....	4
3	01-1000V4-00586	Nut.....	4
4	01-1M6604-00106	Bracket - Rotate Switch.....	2
5	01-1M5777-00101	Switch (Magnetic).....	2
6	01-1000V4-00515	Screw - Sheet Metal, Pan Hd. 6-32 x 3/8 (Zinc).....	4
7	01-1000V4-00585	Flat Washer.....	4
8	01-1000V4-00584	Screw.....	4
9	01-1000V4-00284	Screw 10-32 x 3/4 Hex Washer Hd., Serrated Flange (SST).....	4
10	01-1M6606-00002	Shaft Alignment Assy.....	1
11	01-1M6604-00201	Bracket - Mounting.....	1
12	01-1000V1-00085	Snap Ring.....	1
13	01-1M6704-00001	Shim - Carrier (Height Adjustment).....	1
14	01-1000V4-00385	Screw - Sheet Metal, Hex Hd. 10-16 x 3/4 (SST).....	6
15	01-1000V0-00114	Bearing - Flange.....	1
16	01-1M6605-00001	Rotator - Lifter.....	1
17	01-1M6773-00101	Shaft - Rotator (A Style) (With Hole for Pin).....	1
18	01-1M6604-00105	Shaft - Rotator (B Style).....	1
19	01-1M6604-00305	Shaft - Rotator (C Style).....	1
20	01-1M6662-00001	Housing - Shaft (Incls. Item 21).....	1
21	01-1M7464-00001	Kit - Bearing (Shaft Housing).....	1
22	01-1M6610-00001	Sprocket - Rotator.....	1
23	01-1000V3-0087A	Chain - Roller 20-1/8 In.....	1
24	01-1000V3-00088	Link - Connecting.....	AR
25	01-1M6604-00104	Clutch - Slide.....	1
26	01-1M6629-00003	Magnet Switch Assy. (One Magnet) (C Style) (Incls. Items 28 thru 30, 32, & 33).....	1
27	01-1M6629-00004	Magnet Switch Assy. (Two Magnets) (B & C Style) (Incls. Items 28 thru 30, 32, & 33)	1
28	01-1000V4-00284	Screw 10-32 x 3/4 Hex Washer Hd., Serrated Flange (SST).....	2
29	01-1M6880-00003	Pointer Assy. (One Magnet) (C Style).....	1
30	01-1M6880-00004	Pointer Assy. (Two Magnets) (B Style).....	1
31	01-1000V4-00564	Screw, Sheet Metal Hex Hd. W/ Washer 1/4-20 x 1 (SST).....	1
32	01-1M6604-00103	Collar, Set - Rotator.....	1
33	01-1000V4-00161	Screw, Set - Allen (3/8-16).....	1
34	01-1000V3-00114	Sprocket (17T).....	1



CARRIER

CARRIER

ILLUS. PL-61942	PART NO.	NAME OF PART	AMT.
1	01-1M5367-00001	Strap - Side Support.....	4
2	01-1M5368-00001	Channel - Side Hanger.....	2
3	01-1M5369-00002	Shim - Support.....	4
4	01-1M5366-00001	Channel - Support Hanger.....	2
5	01-1M6772-00001	Carrier (A Style) (Double Rack) (Incls. Items 1 thru 4, 28 thru 30, & 32 thru 34).....	1
6	01-1M7630-00002	Carrier (B Style) (Double Rack) (Incls. Items 8, 9, & 27) (15.60 in wide).....	1
7	01-1M7630-00001	Carrier (B Style) (Single Rack) (Incls. Items 8, 9, & 27) (15.60 in wide).....	1
8	01-1M2580-00002	Stop - Rack Carrier (B Style Carrier).....	2
9	01-1000V1-00013	Collar - Set 1/2 In. Dia.....	4
10	01-1M6770-00003	Carrier (C Style) (42-1/2 In. Stops) (Incls. Items 11, 18 thru 20, & 27).....	1
11	01-1M4862-00101	Latch - Carrier.....	2
12	01-1M6770-00004	Carrier (C Style) (Double Rack) (33 In. Stops) (Incls. Items 13, 18 thru 20, & 27).....	1
13	01-1M4862-00101	Latch - Carrier.....	2
14	01-1M6770-00007	Carrier (C Style) (Panera) (Incls. Items 15, 21 thru 24, & 27).....	1
15	01-1M4862-00701	Lock - Carrier (Double Models Only) (Panera Bread Only).....	2
16	01-1M6770-00005	Carrier (C Style) (Single Rack) (Incls. Items 17, 25, 27, & 31).....	1
17	01-1M4862-00201	Stop - Rack Carrier (C Style Carrier).....	2
18	01-1000V4-00074	Mach. Screw 1/4-20 x 3/4 Phil. Flat Hd.....	4
19	01-1000V4-00433	Washer 1/4 In. (SST).....	4
20	01-1000V4-00599	Nut 1/4 In. (SST) (Toplock - Vibration Resistant).....	4
21	01-1000V4-00281	Screw, Shoulder #10-32, 1/4 x 3/8 In. (SST).....	4
22	01-1000V4-00433	Washer 1/4 In. (SST).....	6
23	01-1000V4-00434	Washer - Flat #10 (SST).....	4
24	01-1000V4-00336	Nut #10-32 W/ Lockwasher (SST).....	4
25	01-1000V4-00284	Screw 10-32 x 3/4 Hex Washer Hd., Serrated Flange (SST).....	2
26	01-1M7630-00004	Carrier (B Style W/Welded Extensions) (16.875 In. Wide) (Incls. Items 8, 9, & 27)	1
27	01-1000V4-00654	Screw - Set 3/8-24 x 3/8 (Knurled Tip) (Knurled Tip).....	2
28	01-1M6942-00001	Pin - Locking (A Style Lift 1.25 " Shaft).....	1
29	01-1M6772-00101	Plate - Cover, Pin.....	1
30	01-1000V4-00284	Screw 10-32 x 3/4 Hex Washer Hd., Serrated Flange (SST).....	AR
31	01-1000V4-00121	Insert - Threaded 10-32 Hex.....	6
32	01-1000V4-00434	Washer - Flat #10 (SST).....	AR
33	01-1000V4-00433	Washer 1/4 In. (SST).....	4
34	01-1000V4-00534	Bolt 1/4-20 x 3/4 In.....	4
34	01-1000V4-00122	Insert - Threaded 1/4-20.....	2

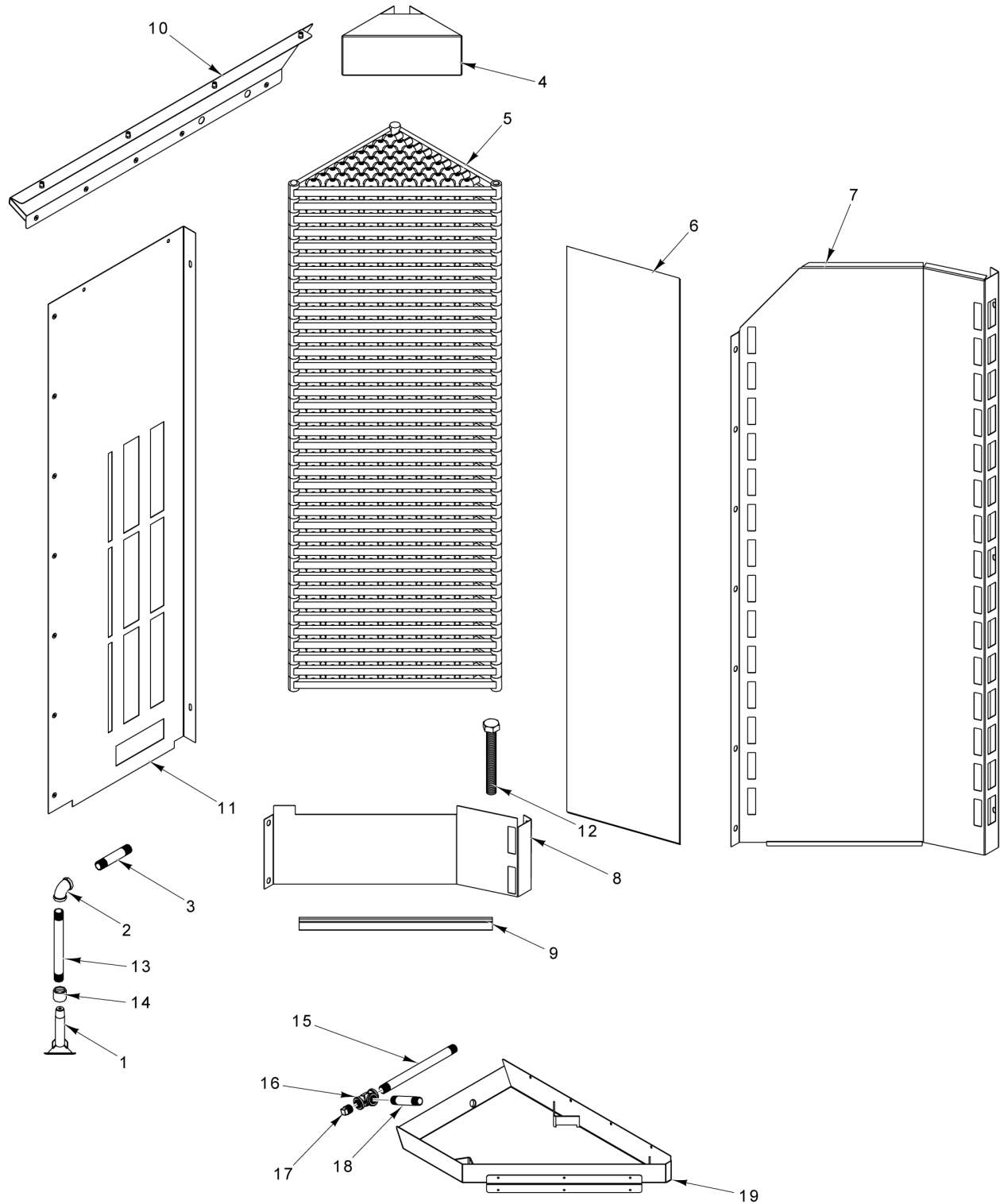


PL-61943

**STEAMER ASSEMBLY
(SINGLE RACK)
(ML-132589 & ML-132648)**

**STEAMER ASSEMBLY
(SINGLE RACK)
(ML-132589 & ML-132648)**

ILLUS. PL-61943	PART NO.	NAME OF PART	AMT.
1	01-100V17-00347	Elbow 1/2 In. x 90 Deg. (SST).....	1
2	01-1M7100-00001	Sprayer - Steam Manifold.....	1
3	01-1M7065-00001	Angle, Steamer Box.....	1
4	01-100V16-00529	Casting - Steamer.....	15
5	01-1M5536-00001	Support - Steamer Castings.....	2
6	01-1M6325-00003	Sheet - Splash.....	1
7	01-1M5474-00001	Panel - Steamer.....	1
8	01-1M5446-00002	Plate - Steam Loader Bolt Cover.....	1
9	01-1M5065-00001	Bracket - Water Guide.....	AR
10	01-1M6965-00001	Panel - Steamer (Rear).....	1
11	01-1M6966-00001	Baffle.....	2
12	01-1M6967-00001	Panel Assy. (Heat Exchanger).....	1
13	01-1M2161-00001	Screw - Leveler.....	1
14	01-100V17-00535	Pipe 1/2 x 14 In. (SST) (SST).....	1
15	01-100V17-00183	Coupler 1/2 In. (SST).....	1
16	01-1M7672-00001	Kit - Front Drain.....	1
17	01-100V17-00860	Tee 1/2 NPT (SST).....	1
18	01-100V17-00766	Plug - 1/2 NPT.....	1
19	01-100V17-00859	Pipe 1/2 NPT x 5 (SST).....	1
20	01-1M7619-00001	Pan - Drain.....	1

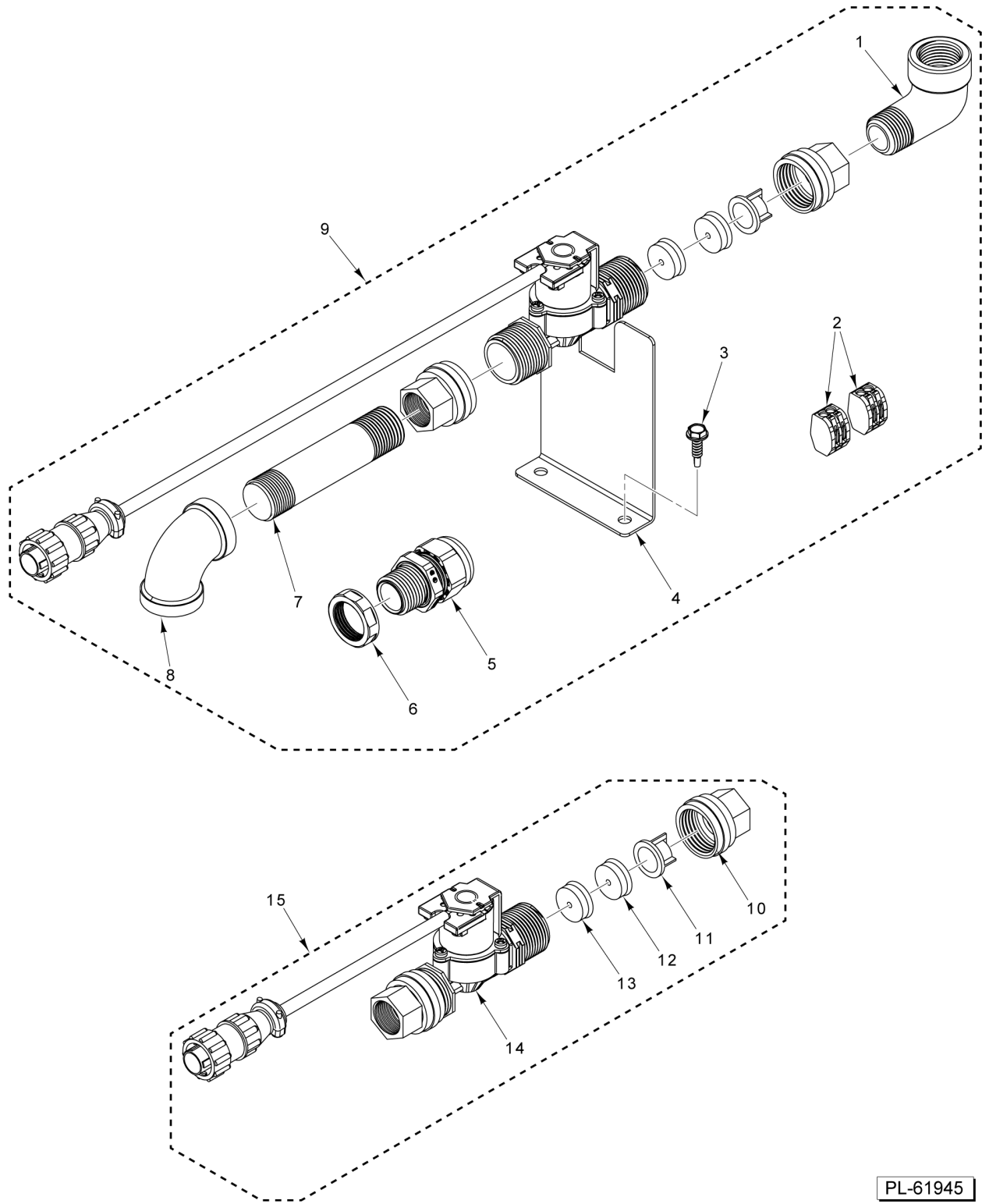


PL-61944

**STEAMER ASSEMBLY
(DOUBLE RACK) (ML-132590)**

**STEAMER ASSEMBLY
(DOUBLE RACK) (ML-132590)**

ILLUS. PL-61944	PART NO.	NAME OF PART	AMT.
1	01-1M7100-00001	Sprayer - Steam Manifold.....	1
2	01-100V17-00347	Elbow 1/2 In. x 90 Deg. (SST).....	1
3	01-100V17-00534	Pipe 1/2 x 3-1/2 (SST).....	1
4	01-1M7065-00001	Angle, Steamer Box.....	1
5	01-100V16-00529	Casting - Steamer.....	28
6	01-1M6325-00002	Sheet - Splash.....	1
7	01-1M7050-00201	Panel - Steamer Outer.....	1
8	01-1M7050-00202	Panel - Steamer Bottom.....	1
9	01-1M5065-00001	Bracket - Water Guide.....	7
10	01-1M7052-00002	Panel - Suction Top.....	1
11	01-1M7053-00002	Panel - Steamer (Rear).....	1
12	01-1M2161-00001	Screw - Leveler.....	1
13	01-100V17-00850	Pipe - 1/2 x 15 In.....	1
14	01-100V17-00183	Coupler 1/2 In. (SST).....	1
15	01-1M7672-00002	Kit - Front Drain.....	1
16	01-100V17-00860	Tee 1/2 NPT (SST).....	1
17	01-100V17-00766	Plug - 1/2 NPT.....	1
18	01-100V17-00859	Pipe 1/2 NPT x 5 (SST).....	1
19	01-1M7619-00002	Pan - Drain.....	1

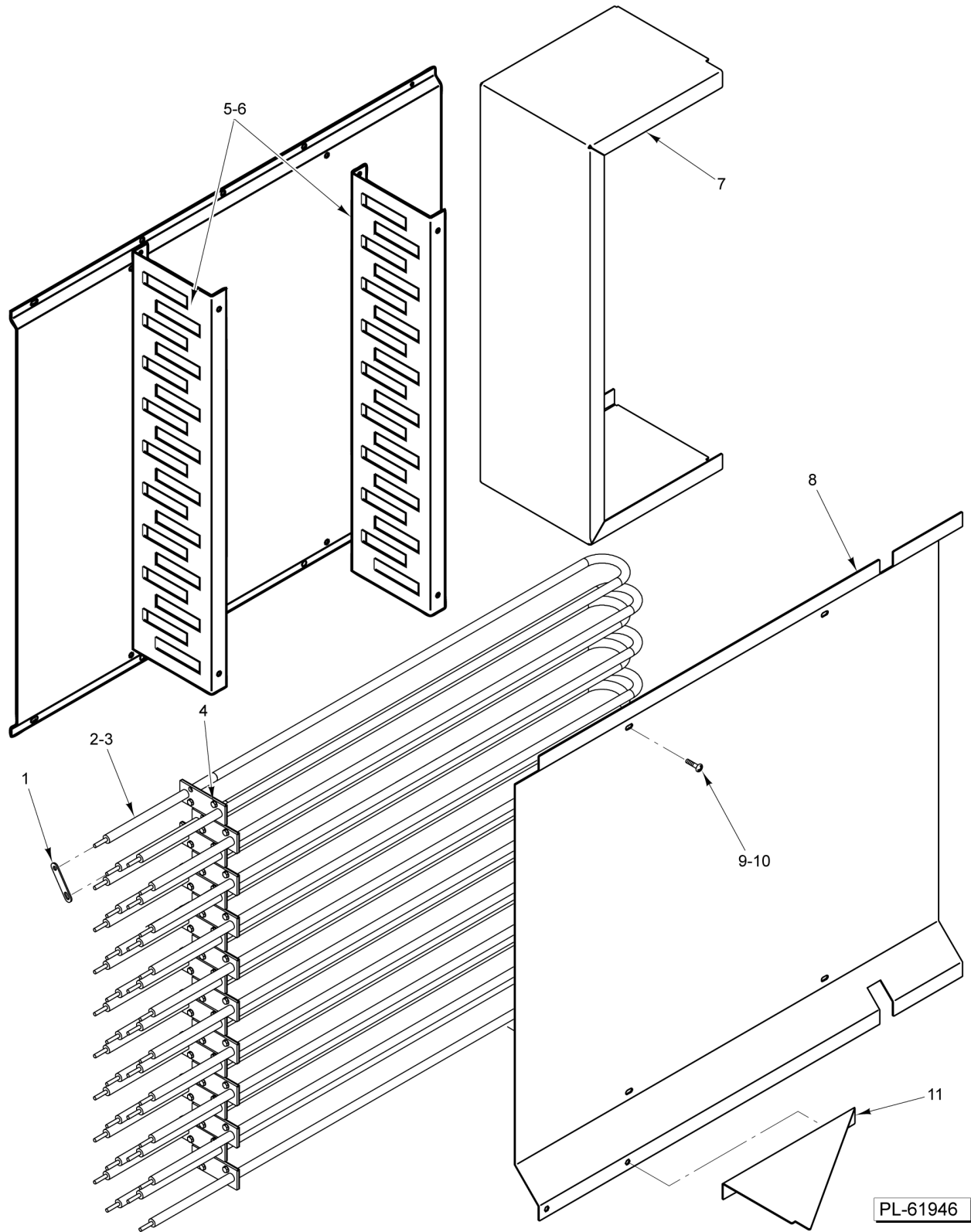


EXTERIOR WATER SUPPLY

EXTERIOR WATER SUPPLY

ILLUS.	PART NO.	NAME OF PART	AMT.
PL-61945			
1	01-100V17-00538	Elbow 1/2 Street (SST).....	1
2	01-1000V5-00362	Block - Terminal (2 Terminals) (W/ Operating Levers).....	2
3	01-1000V4-00426	Screw #10-16 x 3/4 Hex Hd. (Drill Tip) (SST).....	2
4	01-1M7495-00101	Bracket - Support.....	1
5	01-100V11-00248	Strain Relief.....	1
6	01-100V11-00249	Nut - Strain Relief.....	1
7	01-100V17-00736	Pipe 3-1/2 x 1/2 In.....	1
8	01-100V17-00347	Elbow 1/2 In. x 90 Deg. (SST).....	1
9	01-1M7495-00001	Kit - Steam Solenoid (Incls. Items 1 thru 8, & 15).....	AR
10	01-100V17-00830	Adapter - Hose to Pipe 3/4 GHTF x 1/2 NPTF.....	1
*11	01-100V17-00838	Filter - Solenoid Valve (5 GPM Without Restrictor).....	1
12	01-100V17-00840	Restrictor - Flow (White 3 GPM) (Double Rack Oven).....	1
13	01-100V17-00839	Restrictor - Flow (Brown 2 GPM) (Single Rack Oven).....	1
14	01-1M7493-00001	Solenoid Assy.....	1
15	01-1M7494-00001	Kit - Water Solenoid (Incls. Items 10 thru 14).....	AR

* No Restrictor Used on Panera Bread Double Rack Ovens.



PL-61946

HEATING ELEMENTS

HEATING ELEMENTS

ILLUS. PL-61946	PART NO.	NAME OF PART	AMT.
1	01-1M5578-00001	Jumper - Heater.....	AR
2	01-100V10-0228A	Element - Heating (208 V., 2850 W.) (18 For Double, 12 For Single).....	AR
3	01-100V10-0228B	Element - Heating (240 V., 400 V., 2850 W.) (18 For Double, 12 For Single).....	AR
4	01-1000V4-00426	Screw #10-16 x 3/4 Hex Hd. (Drill Tip) (SST).....	AR
5	01-1M5411-00001	Support - Element (Single Rack).....	2
6	01-1M5411-00002	Channel - Element Support (Double Rack).....	2
7	01-1M5410-00001	Baffle - Rear Filler (Double Rack).....	1
8	01-1M5407-00002	Baffle - Side (RH).....	1
9	01-1000V4-00121	Insert - Threaded 10-32 Hex.....	8
10	01-1000V4-00400	Cap Screw 10-32 x 3/4 Hex Hd. (SST).....	8
11	01-1M5406-00001	Filler - Corner Baffle (Double Rack).....	1

