

Project	Quantity	Item #
Model Specified:		CSI Section 11400

"Extra Wide" Reach-In Refrigerator-Freezer Models/Self-Contained

One Section Models, 32" Deep



Model RDT132EUT-HHS
(shown with optional casters)



Stainless Exterior & Interior

1-Section Half Length Door Model RDT132EUT-HHS



Stainless Exterior, Anodized Aluminum Interior

1-Section Half Length Door Model ADT132EUT-HHS

The "Extra Wide" reach-in refrigerator/freezer models are all designed to offer maximum interior storage capacity. Each is supplied standard with such high quality features as balanced refrigeration systems, microprocessor controls, communications ability and stainless steel exteriors. Additionally, they offer the widest range of optional accessories to choose from, and can be specified for use with many different applications, including: Foodservice, Correctional, Institutional, Export, etc.

Standard Product Features

- R-Series: Stainless Steel Exterior & Interior
- A-Series: Stainless Steel Exterior/Anodized Aluminum Interior
- INTELA-TRAUL® Microprocessor Control System
- Balanced, Self-Contained Dual Refrigeration Systems Using R-450A & R-404A Refrigerants
- Half Length Stainless Steel Doors With Locks
- Self-Closing Doors With Stay Open Feature At 120 Degrees
- Guaranteed For Life Cam-Lift Hinges
- Guaranteed For Life Horizontal Work Flow Door Handles
- Standard Door Hinging: 132EW = Right (other hingsings available)
- Automatically Activated LED Lights
- Stainless Steel Breaker Caps
- Adjustable Wire Shelves (installed at the factory)
- Magnetic Snap-In EZ-Clean Door Gasket(s)
- Gasket-Protecting Metal Door Liner
- Thermostatic Expansion Valve Metering Device
- Stainless Steel One-Piece Louver Assembly
- 9' Cord & Plug Attached
- Set of Four (4) 6" High Adjustable Stainless Steel Legs
- Three Year Parts And Labor Warranty
- Five Year Compressor Warranty

Options & Accessories

- Stainless Steel Finished Back With Rear Louvers
- Additional Wire Shelves
- Locking Hasps (padlocks supplied by others)
- No. 1 Type Tray Slides To Accommodate Either (1) 26" x 18" Meat Lug or (1) 18" x 26" Sheet Pan (lengthwise) Per Pair
- Plated Shelves to Fit Tray Slides
- Stainless Steel Shelves
- Kool Klad Exterior Laminate Decor
- Set of Four (4) 6" High Casters In Lieu of Legs
- Set of Four (4) 4-5/8" High Casters In Lieu of Legs
- 4-1/2" High Stainless Steel Base In Lieu of Legs
- 6" High Stainless Steel Kickplate (for use with standard legs)
- Prison/Correctional Facilities Options
- Remote Applications (see spec sheet TR35837 for details)
- Water Cooled Self-Contained Condenser Suitable For Connection To Glycol



Listed by Underwriters Laboratories Inc., to U.S. and Canadian safety standards and Listed by NSF International.



Approval: _____



TRAULSEN
4401 BLUE MOUND RD.
PHONE 1 (800) 825-8220
Website: www.traulsen.com

FT. WORTH, TX 76106
FAX-MKTG. 1 (817) 624-4302

Project

Quantity

Item #

Model Specified:

CSI Section 11400

Specifications

Construction, Hardware and Insulation

Cabinet exterior front, one piece sides, louver assembly and doors are constructed of 20 gauge stainless steel with #4 finish. Cabinet interior and door liners are constructed of stainless steel (anodized aluminum in the A-Series). The exterior cabinet top, back and bottom are constructed of heavy gauge aluminized steel. A set of four (4) adjustable 6" high stainless steel legs are included.

Doors are equipped with a gasket protecting metal door pan, removable plug cylinder locks and guaranteed for life cam-lift, gravity action, self-closing metal, glide hinges with stay open feature at 120 degrees. Hinges include a concealed switch to automatically activate the interior incandescent lighting. Guaranteed for life, work flow door handles are mounted horizontally over recess in door which limits protrusion from door face into aiseways. Doors have seamless, polished metal corners.

Gasket profile and Santoprene® material simplify cleaning and increase overall gasket life. Anti condensate heaters are located behind each door opening.

Both the cabinet and door(s) are insulated with an average of 2" thick high density, non-CFC, foamed in place polyurethane.

DIMENSIONAL DATA	R/ADT132EUT
Net capacity total cu. ft.	23.6 (654 cu l)
Net capacity refriger. cu. ft.	11.8 (327 cu l)
Net capacity freezer cu. ft.	11.8 (327 cu l)
Length - overall in.	33 $\frac{1}{4}$ (83.1 cm)
Depth - overall in.	35 (88.8 cm)
Depth - over body in.	32 (81.3 cm)
Clear door width in.	26 $\frac{1}{2}$ (66.3 cm)
Clear half-door height in.	27 $\frac{13}{16}$ (69.5 cm)
Clear full-door height in.	n/a
Height - overall on 6" legs ³	83 $\frac{3}{4}$ (211.5 cm)
No. Standard Shelves	2
ELECTRICAL DATA	
Voltage	115/60/1
Feed wires with Ground	3
Full load amperes	10.7
REFRIGERATION DATA	
Refrigerant - Refrigerator	R-450A
Refrigerant Charge Amount (in ounces)	11.0
Refrigerant - Freezer	R-404A
Refrigerant Charge Amount (in ounces)	12.0
BTU/HR H.P. - Refrigerator ¹	1130 ($\frac{1}{8}$ HP)
BTU/HR H.P. - Freezer ¹	1440 ($\frac{1}{8}$ HP)
SHIPPING DATA ²	
Length - crated in.	40 (100 cm)
Depth - crated in.	43 (109 cm)
Height - crated in.	83 $\frac{1}{2}$ (212 cm)
Volume - crated cu. ft.	83 (2351 cu l)
RDT Net Wt. lbs.	455 (206 kg)
RDT Gross Wt. lbs.	545 (247 kg)

NOTES

NOTE: Figures in parentheses reflect metric equivalents.

1= Based on a 90 degree F ambient and 20 degree F evaporator for the refrigerated section and a 90 degree F ambient and -20 degree F evaporator for the freezer section.

2= For approximate remote weights deduct 40 lbs. from respective net or gross weight. For other information on remote models, please refer to spec sheet TR35837.

3= 12" Top clearance preferred for optimum performance and service access.

Refrigeration System

A top mounted, self-contained, balanced refrigeration system using environmentally friendly, non-flammable R-450A and R-404A refrigerants is conveniently located behind the one piece louver assembly. These models feature interior mounted coils.

A 9' cord and plug is provided standard. Standard operating temperatures are 34 to 38°F for the refrigerator compartment and 0 to -5°F for the freezer compartment.

Controller

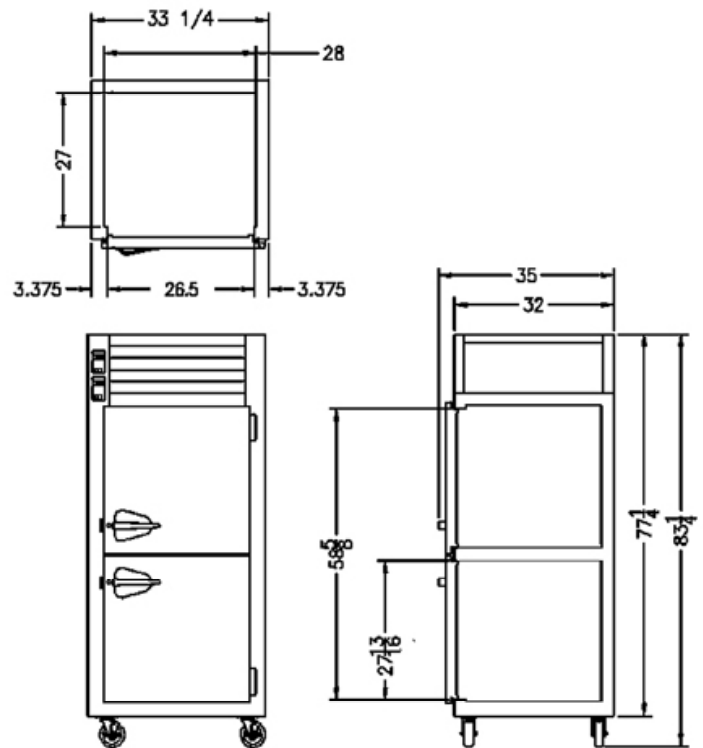
The easy to use water resistant INTELA-TRAUL® microprocessor control system is supplied standard. It includes a 3-Digit LED Display and Fahrenheit or Celsius Temperature Scale Display Capability. In addition it includes audio/visual alarms for: Hi/Lo Cabinet Temperature, Door Open, Clean Condenser, Evaporator Coil and Discharge Line Sensor Failures, and Power Supply Interruption. A separate control is provided for both the refrigerator and freezer compartments.

Interior

Standard interior arrangements include two (2) wire shelves, one per compartment, mounted on shelf pins. Recommended load limit per shelf should not exceed 225 lbs. Both standard and optional interior arrangements are completely installed at the factory.

Warranties

Both a three year parts and labor warranty and a five year compressor warranty (self-contained models only) are provided standard.



Equipped With One NEMA 5-15 P Plug

NOTE: Full load amps and plug style may vary depending on electrical options chosen and condensing unit employed.

NOTE: When ordering please specify: Voltage, Hinging, Door Size, Options and any additional warranties.

Continued product development may necessitate specification changes without notice.

Part No. TR35848 (REV. 11-06-18)

TRAULSEN
4401 BLUE MOUND RD.
PHONE 1 (800) 825-8220
Website: www.traulsen.com

FT. WORTH, TX 76106
FAX-MKTG. 1 (817) 624-4302

Traulsen