



Project _____
 AIA # _____ SIS # _____
 Item # _____ Quantity _____ C.S.I. Section 114000



AM15VL advansys ELECTRIC

High Temperature Ventless Door-Style Dishwashing Machine



STANDARD FEATURES

- + Ventless operation
- + Energy recovery
- + .74 gallons per rack final rinse water
- + 40 racks per hour – hot water sanitizing
- + NSF pot and pan listed for 2-, 4- & 6- minute cycles
- + Timed wash cycles for 1, 2, 4 or 6 minutes
- + Sense-A-Temp™ 70°F rise electric booster heater
- + Solid state, integrated controls with digital status indicators
- + Self-draining, high efficiency stainless steel pump and stainless steel impeller
- + Stainless steel drawn tank, tank shelf, chamber, trim panels, frame and feet
- + Spring counterbalanced chamber with polyethylene guides
- + Revolving, interchangeable upper and lower anticlogging wash arms
- + Revolving, interchangeable upper and lower rinse arms
- + Slanted, self-locating, one-piece scrap screen and basket system
- + Automatic fill
- + Door actuated start
- + Automatic drain closure
- + Vent fan control
- + External booster activation
- + Service diagnostics
- + NAFEM Data Protocol capable
- + Straight-through or corner installation
- + Delime cycle with notification (field activated)

SPECIFIER STATEMENT

Hobart AM15VL Advansys ventless energy recovery Door Machine (high temp). Specified unit will be Hobart AM15VL high temperature Advansys ventless dishwashing machine. Features include ventless operation, energy recovery, digital controls, NSF pot and pan listing for 2-, 4- & 6-minute cycles, auto door start with auto fill & auto drain closure, interchangeable stainless steel wash and rinse arms, delime cycle, service diagnostics, up to 40 racks per hour, .74 U.S. gallons per rack.

1 year parts and labor warranty.

OPTIONS & ACCESSORIES (Available at extra cost)

- Single point electric kit (*field* installed) for booster equipped machines (3ph only)
- Single point electric kit (*factory* installed) for booster equipped machines (3ph only)
- Peg rack
- Sheet pan rack
- Optional door lock (for uninterrupted condensing cycle)
- Combination rack
- Pressure regulating valve
- Splash panel kit (for corner installations)
- Flanged and seismic feet
- Front loading kit (field installation required)
- End of cycle audible alarm (field activated)
- Locking door kit
- Front loading kit
- Water hammer arrestor kit
- Drain water tempering kit

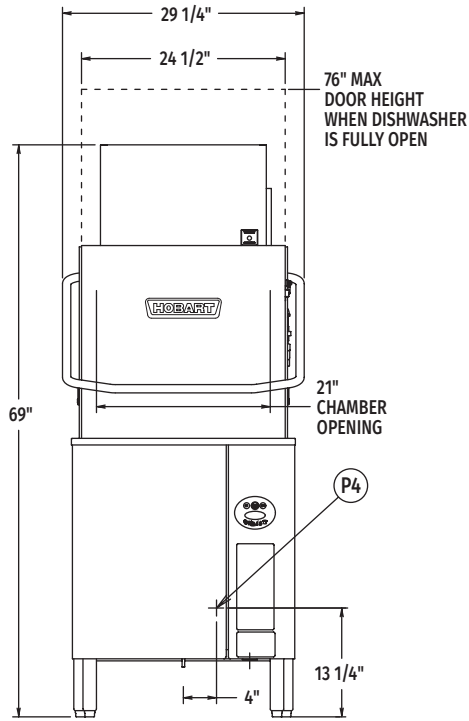
AM SELECT SERIES – AM15VL advansys ELECTRIC

Approved by _____ Date _____ Approved by _____ Date _____

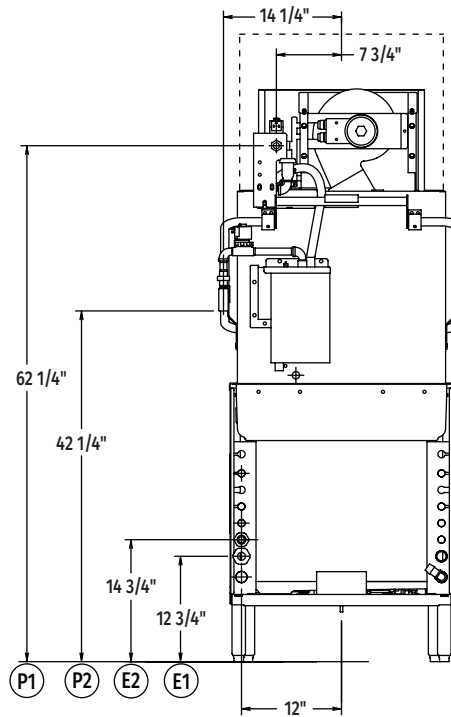


AM15VL advansys ELECTRIC

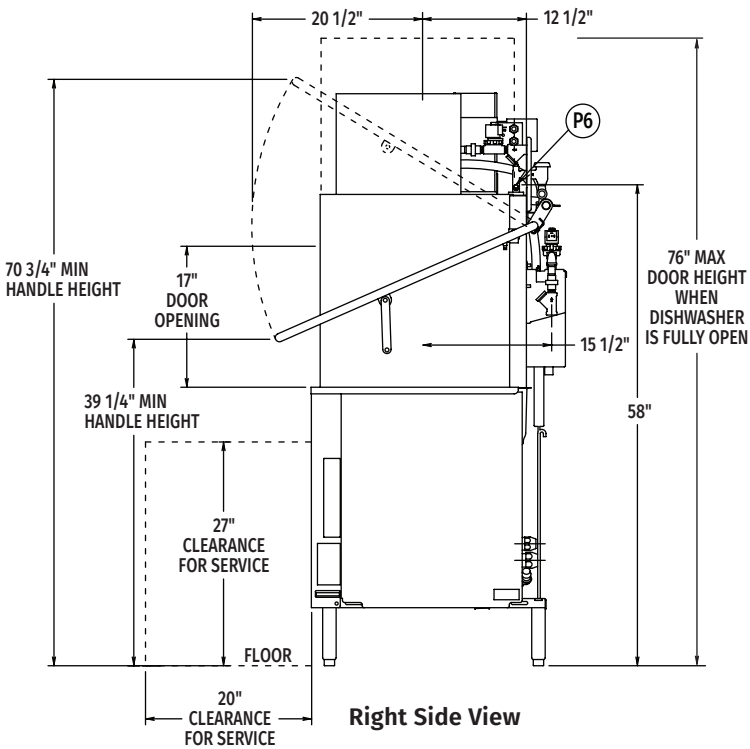
High Temperature Ventless Door-Style Dishwashing Machine



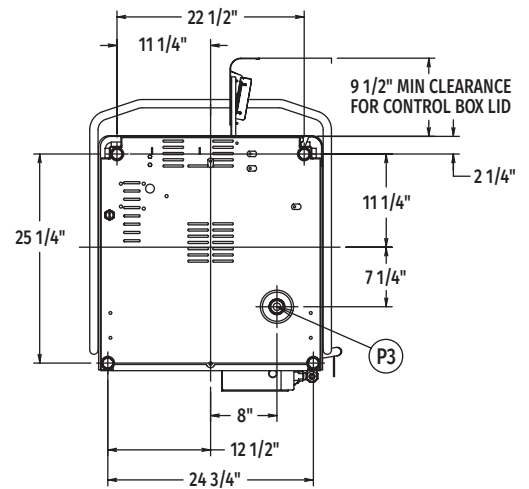
Front View



Rear View



Right Side View



Bottom View

MODEL:
AM15VL
E-941178
REV B



AM15VL advansys ELECTRIC

High Temperature Ventless Door-Style Dishwashing Machine

LEGEND

Electrical Connections	
E1	Electric tank heat, motors & controls: 3/4" or 1" conduit, 12-3/4" AFF.
E2	Internal electric booster heater: 1/2" conduit, 14-3/4" AFF.
NOTE: Optional single point connection (when selected) can utilize either E1/E2 conduit.	
Plumbing Connections	
P1	Hot water connection: 110°F minimum incoming water, 1/2" FTP, 42-1/4" AFF.
P2	Cold water connection: 55-80°F recommended water, 1/2" FTP 73-1/4" AFF.
P3	Drain connection: 1-1/2" NPT, 7-1/4" AFF.

WARNING: Plumbing and electrical connections should be made by qualified personnel who will observe all the applicable plumbing, sanitary, safety codes and National Electrical Code.

SPECIFICATIONS

Capacities

Racks Per Hour (maximum)	40
Dishes per Hour (average 25 per rack)	1,000
Glasses per Hour (average 45 per rack)	1,800
Wash Tank (U.S. gallons)	14

Motor Horsepower

Rinse Pump	0.066
Wash Pump	.2
Blower Pump	0.05

Water Consumption

Wash Pump (gallons per minute – Weir Test)	160
--	-----

Rinse

Gallons per Rack	0.74
Gallons per Hour (maximum consumption)	29.6

Peak Rate of Drain Flow

Gallons per Minute (initial rate with full tank)	14
--	----

Heating

Electric Booster (kW)	8.5
Electric Heating Unit (kW)	.5

Exhaust Requirements

	0
--	---

Shipping Weight (approximate)

	.494 lbs.
--	-----------

Crated Dimensions

	41.5"L x 35.5"W x 90.5"H
--	--------------------------

E1 AM15VL with Electric Tank Heat, Motors and Controls			
Voltage	Rated Amps	Minimum Supply Circuit Ampacity	Maximum Protective Device
208-240/60/1	43.0	50	50
208-240/60/3	24.9	30	30
480/60/3	13.4	15	15

E2 Booster Heat 8.5kW, Minimum 110°F Incoming Water			
Voltage	Rated Amps	Minimum Supply Circuit Ampacity	Maximum Protective Device
208-240/60/1	35.4	50	50
208-240/60/3	20.4	30	30
480/60/3	10.2	15	15

Common Electrical Connection (Single Point) Service Includes Tank Heat, Motors, Controls and Internal Booster Heater			
Voltage	Rated Amps	Minimum Supply Circuit Ampacity	Maximum Protective Device
208-240/60/3	45.4	60	60
480/60/3	23.7	30	30

NOTE: Only available in 3ph machines, field or factory installed options.

+ **Plumbing Notes:** Water hammer arrestor (meeting ASSE-1010 standard or equivalent) in common water supply line at service connection.

Recommended water hardness to be 3 grains or less for best results.

Recommended building flowing water pressure to the dishwasher is 15-25 PSI. If pressures higher than 25 PSI are present, a pressure regulating valve with internal thermal expansion bypass must be supplied (by others) in the water line to the dishwasher.

For convenience when cleaning, water tap should be installed near machine with heavy duty hose and squeeze valve.

Approximate Heat Gain to Space without Vent Hood	
Type	BTU/Hr.
Latent	13,000
Sensible	4,800

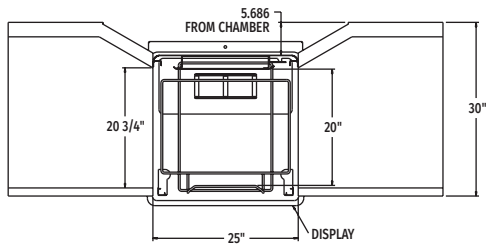
Vent hood is not required due to internal condensing system.



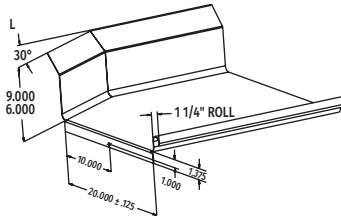
AM15VL advansys ELECTRIC

High Temperature Ventless Door-Style Dishwashing Machine

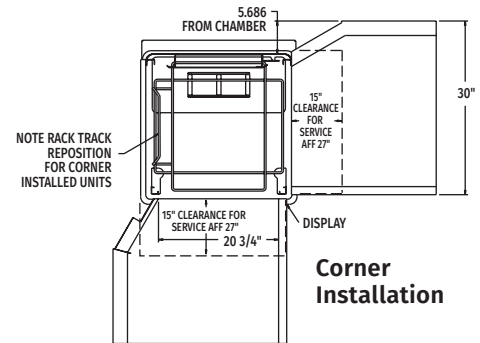
AM15VL TABLING CONFIGURATIONS AND TRACK DESIGN



Pass Thru Installation



Suggested Track Design



Corner Installation

Top Inside View of Machine

Recommended Condense Times (Based on Incoming Water Temperature)			
Incoming Temperature (°F)	Condense Time (Seconds)	Rinse Time (Seconds)	Racks per Hour (1 Minute Cycle)
60	30	10	40
65	33	11	37
70	36	12	36
75	39	13	34
80	42	14	33
85-90	45	15	32

As continued product improvement is a policy of Hobart, specifications are subject to change without notice.