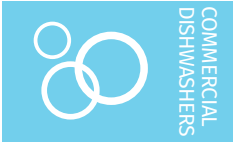




Project _____
 AIA # _____ SIS # _____
 Item # _____ Quantity _____ C.S.I. Section 114000



DDU38e DIRECT DRIVE UNLOADER

For CLeN Series



STANDARD FEATURES

- + Back, bottom and end shields of formed 14 gauge stainless steel with coved corners
- + Attached to the clean side of the dishwasher by stainless steel bolts
- + Unit has a 1½" drain connection and perforated stainless steel drain cover
- + Center pawl to be connected to dishwasher conveyor by means of a stainless steel adjustable rod.
- + As conveyor drives, center pawl drives racks around 90 degree corner.
- + Designed to move the racks at the same speed as the conveyor dishwasher speed.

CLeN SERIES – DDU38e DIRECT DRIVE UNLOADER

SPECIFIER STATEMENT

The DDU38e is an accessory for any Hobart CLeN Dishwasher. It is set up to be easily installed in the field. The DDU38e adds 38" to the length of the machine.

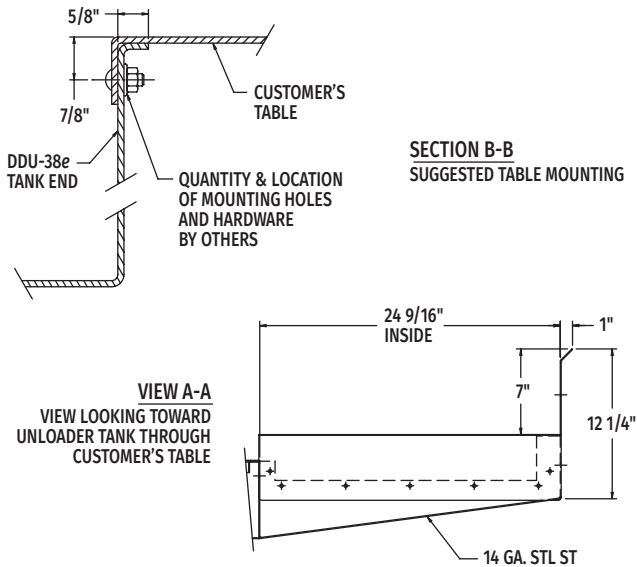
Approved by _____ Date _____ Approved by _____ Date _____



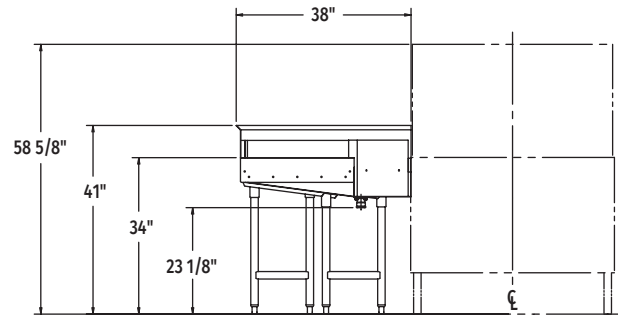
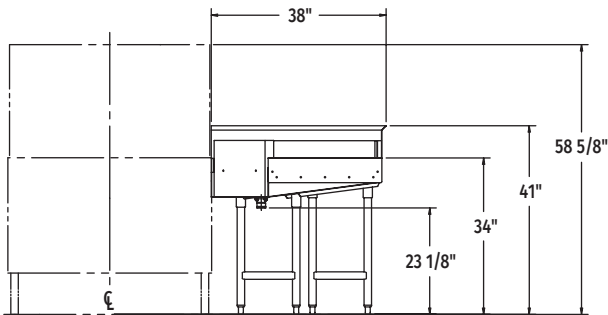
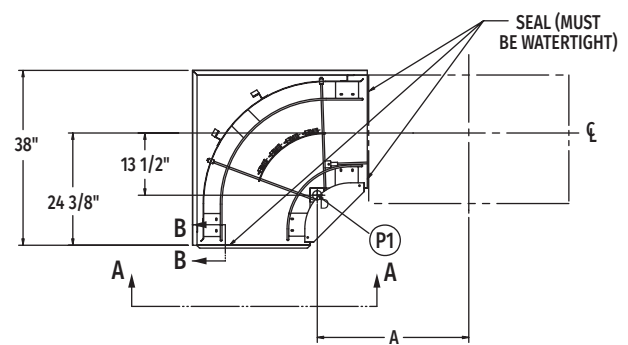
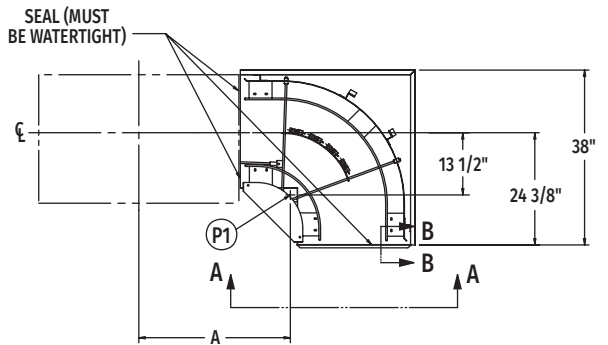
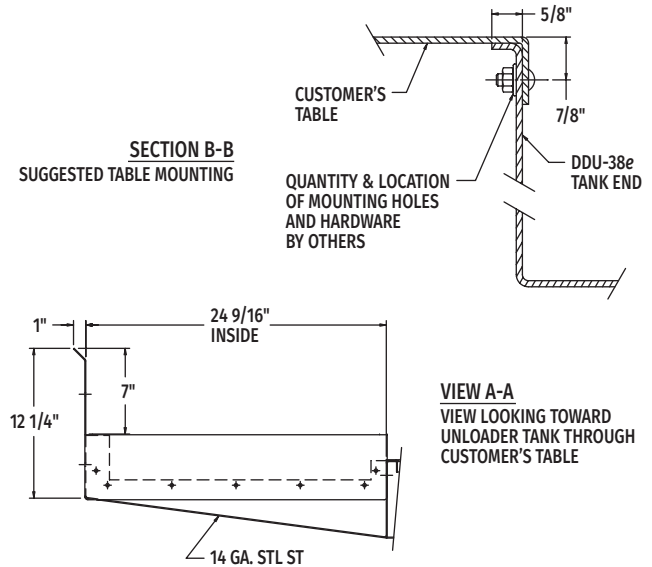
DDU38e DIRECT DRIVE UNLOADER

For CLeN Series

Left to Right Operation



Right to Left Operation



FLOOR LINE: ALL DIMENSIONS TAKEN FROM FLOOR LINE MAY BE INCREASED APPROX. 3/4" OR DECREASED 1/2".

MODEL: CLeN DIRECT UNLOADER
L-R OPERATION
D-936646
REV C

MODEL: CLeN DIRECT UNLOADER
R-L OPERATION
D-936645
REV C

FLOOR LINE: ALL DIMENSIONS TAKEN FROM FLOOR LINE MAY BE INCREASED APPROX. 3/4" OR DECREASED 1/2".

WARNING: Electrical and grounding connections must comply with the applicable portions of the National Electrical Code and/or other local electrical codes.

Plumbing connections must comply with applicable sanitary, safety and plumbing codes.

Note: For dimensions not shown, see specification sheet for model specified.

Model	Dimension A
CL44eN	33"
CLPS66eN	33"
CL54eN	43"
CLPS76eN	43"
CL64eN	43"
CLPS86eN	43"

LEGEND

Plumbing Connections

P1 Drain connection: 1-1/2" FPT approx. 23-1/8" AFF.