

HOBART701 S Ridge Avenue, Troy, OH 45374
1-888-4HOBART • www.hobartcorp.com**REVERSE OSMOSIS SYSTEMS –
HRO-500 & HRO-500C****HOBART****REVERSE OSMOSIS SYSTEMS – HRO-500 & HRO-500C****STANDARD FEATURES**

- 4 – Stage Reverse Osmosis system
- No electricity or feed side pump required
- Permeate pump powered by hydraulic energy to optimize production rate
- Dual carbon block or chloramine reduction prefilter
- Carbon/Calcite postfilter
- **Model HRO-500.** Reverse Osmosis water treatment system which will produce 500 gallons per day/20.8 gallons per hour¹. Hobart HRO-500 models are capable of treating multiple applications. Typical applications include steamers, combination ovens, proofers, espresso machines, misting systems, and rack and deck ovens.
- **Model HRO-500C.** Reverse Osmosis water treatment with two pre-filters for chloramine, chlorine, and sediment reduction
- Replacement Cartridges:
 - (2) Prefilter
 - GAC for Chlorine removal or
 - Chloramine reduction
 - (1) Post filter for neutralization
 - (1) Reverse Osmosis membrane
- Capable of removing 96% of total dissolved solids
- Maximum operating temperature of 100°F
- HRO-500 dimensions: (W x H x D): 15" x 28" x 9"

ACCESSORIES

- 20 Gallon storage tank is a pressurized bladder tank with the capacity to hold up to 13 gallons of RO water and approximately 6 gallon drawdown at 30/50 psi. 16"Dia. x 33"H
- 44 Gallon storage tank is a pressurized bladder tank with the capacity to hold up to 28 gallons of RO water and approximately 13 gallon drawdown at 30/50 psi. 21" Dia. x 36"H

MODELS

- HRO-500**
- HRO-500C**
- For other variations including larger storage tanks, consult your local Hobart Office.**

FEATURES

Hobart reverse osmosis systems are designed to provide the highest water quality available for proper operation. Hobart reverse osmosis systems operate on line pressure and do not require electricity. Reverse osmosis is the process by which water is forced through a semi-permeable membrane allowing water to pass while rejecting dissolved minerals, chemicals, microorganisms, and unpleasant tastes and odors. They are ideal for removing up to 96% of total dissolved solids. HRO-500 is capable of treating multiple applications such as steamers, combination ovens, proofers, espresso machines, misting systems, and rack and deck ovens.

Small footprint and design allows for wall mounting or stand-alone operation (15"W x 28"H x 9"D). The design of the Hobart HRO-500 ensures lowest product water / waste water ratio possible. Post neutralization cartridge balances pH and TDS allowing proper operation of level-sensing probes.

Specifications, Details and Dimensions on Reverse Side.



Model HRO-500

REVERSE OSMOSIS SYSTEMS – HRO-500 & HRO-500C



701 S Ridge Avenue, Troy, OH 45374
1-888-4HOBART • www.hobartcorp.com

SYSTEM SPECIFICATIONS

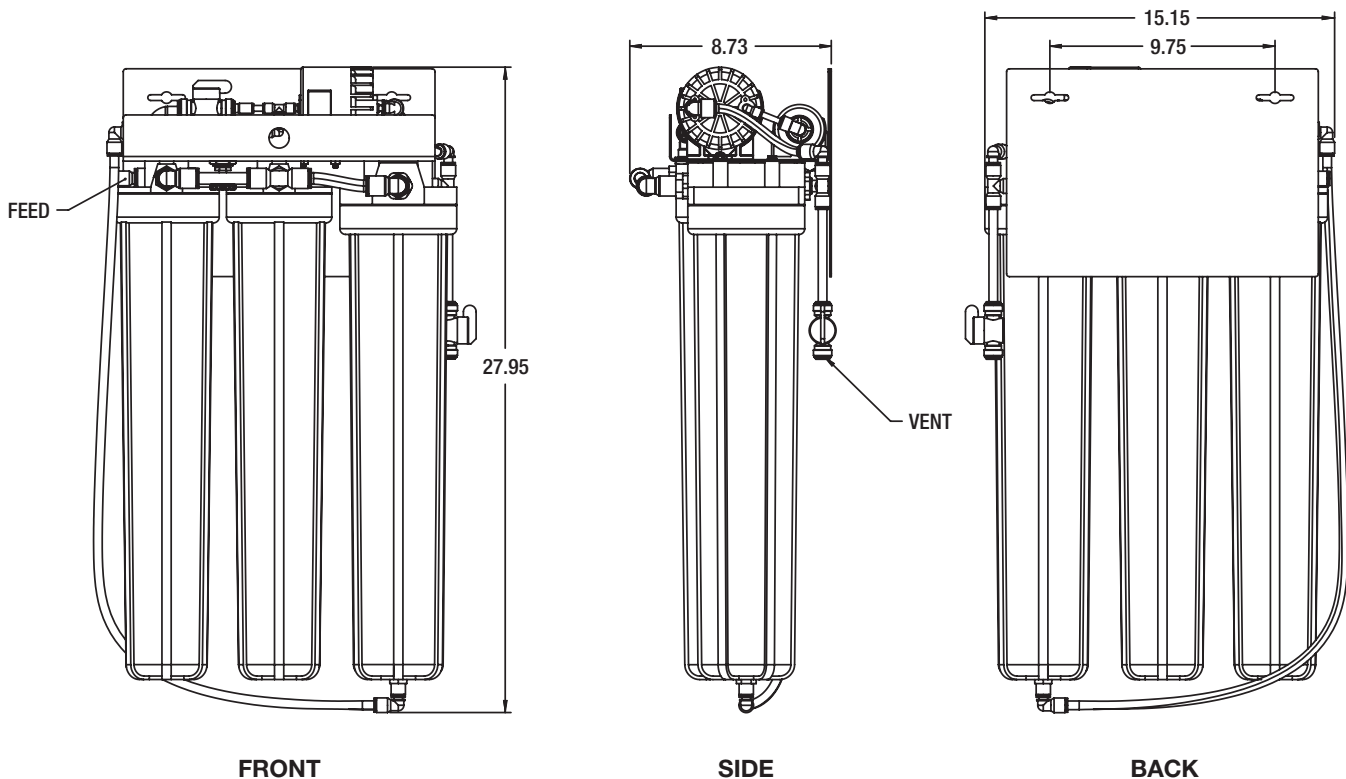
| Model No. | HRO-500 | HRO-500C |
|-----------------------|----------------------|-------------------------------|
| Capacity ¹ | 500 gpd | |
| Membrane | (1) 3.2" x 18" | |
| Prefilter | (2) 20" Carbon block | (2) 20" Chloramines reduction |
| Postfilter | 12" Carbon/Calcite | |
| Dimensions | 28" H x 14" W x 7" D | |
| Weight | 28 lbs. | |

¹Based on membrane performance after 24 hours, 77°F (25°C), 500 ppm Total Dissolved Solids at 65 psi. Membrane performance may vary ±15%.

OPERATING SPECIFICATIONS

| | |
|-----------------------------------|--------------|
| Minimum Feed Pressure | 25 psi |
| Operating Pressure | 40-80 psi |
| Operating Temperature | 40°F - 100°F |
| Max Total Dissolved Solids | 2,000 ppm |
| Max Hardness | <15 grains |
| Max Chlorine | <1.0 ppm |
| pH Range | 3-10 |
| Slit Density Index | <5.0 |
| Turbidity | <1.0 NTU |
| Hydrogen Sulfide, Manganese, Iron | 0 ppm |

DETAILS AND DIMENSIONS



As continued product improvement is a policy of Hobart, specifications are subject to change without notice.