



CATALOG OF REPLACEMENT PARTS

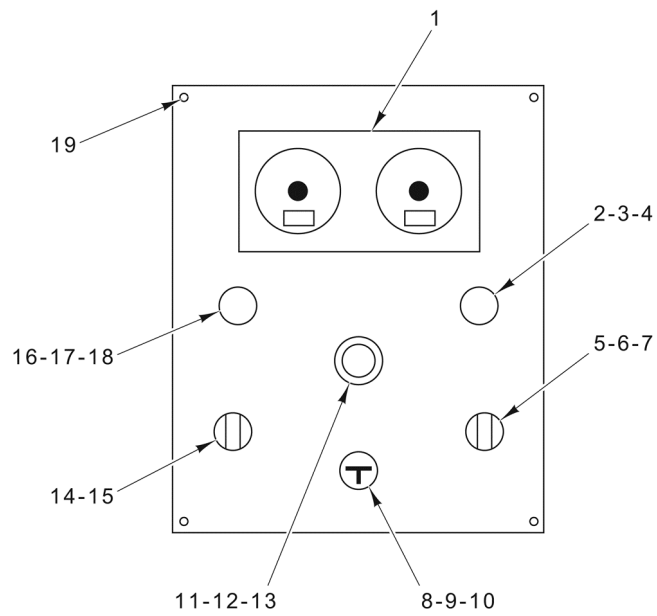
HSU440 SPIRAL MIXER

ML-141041



Table of Contents

| | |
|----|----------------------------|
| 5 | CONTROLS |
| 7 | ELECTRICAL COMPONENTS |
| 9 | BOWL THRUST BLOCK ROLLER |
| 11 | MIXER MOTOR AND COMPONENTS |
| 13 | BOWL MOTOR AND COMPONENTS |
| 15 | PANELS AND COVERS |
| 17 | BOWL GUARD |

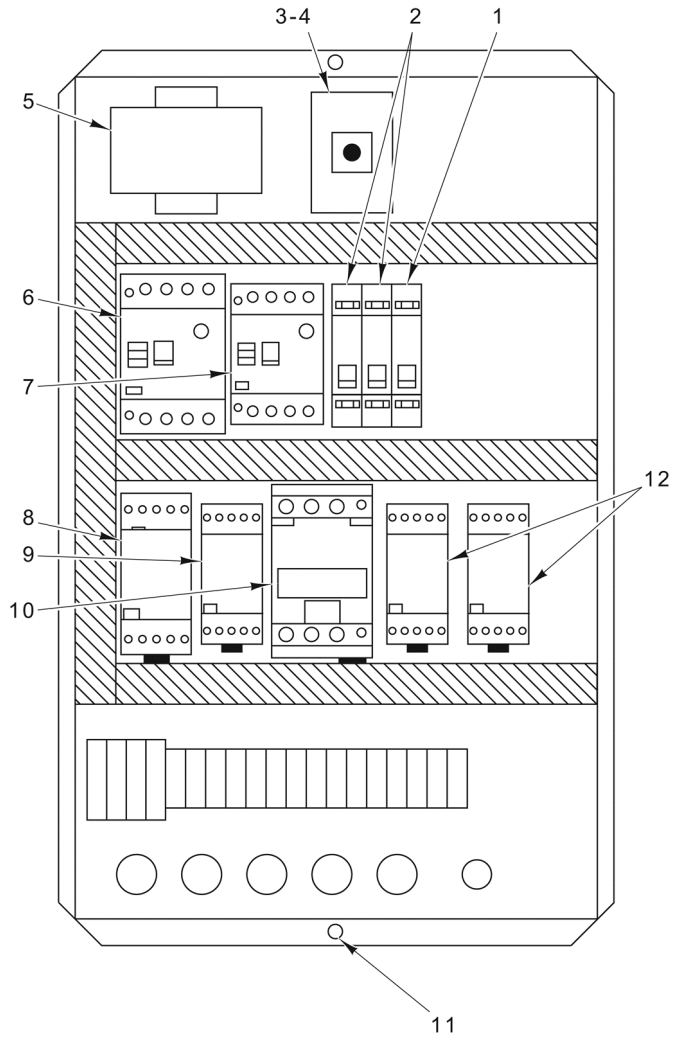


PL-60048

CONTROLS

CONTROLS

| ILLUS. | PART NO. | NAME OF PART | AMT. |
|----------|-----------------|--|------|
| PL-60048 | | | |
| 1 | 00-917671-00015 | Timer..... | 1 |
| 2 | 00-917671-00108 | Switch (Start 2)..... | 1 |
| 3 | 00-917671-00104 | Contact..... | 1 |
| 4 | 00-917671-00109 | Lamp - LED..... | 1 |
| 5 | 00-917671-00102 | Switch - Head Selector (2-Position)..... | 1 |
| 6 | 00-917671-00104 | Contact..... | 1 |
| 7 | 00-917671-00105 | Contact..... | 3 |
| 8 | 00-917671-00189 | Button - Impulse..... | 1 |
| 9 | 00-917671-00104 | Contact..... | 1 |
| 10 | 00-917671-00111 | Button - Plate With Inscription..... | 1 |
| 11 | 00-917671-00106 | Contact - Stop Button..... | 1 |
| 12 | 00-917671-00103 | Contact..... | 1 |
| 13 | 00-917671-00107 | Contact..... | 1 |
| 14 | 00-917671-00102 | Switch - Head Selector (2-Position)..... | 1 |
| 15 | 00-917671-00103 | Contact..... | 1 |
| 16 | 00-917671-00108 | Switch (Start 1)..... | 1 |
| 17 | 00-917671-00104 | Contact..... | 1 |
| 18 | 00-917671-00109 | Lamp - LED..... | 1 |
| 19 | | Screw M3.9 x 16 Hex Button Hd..... | 4 |

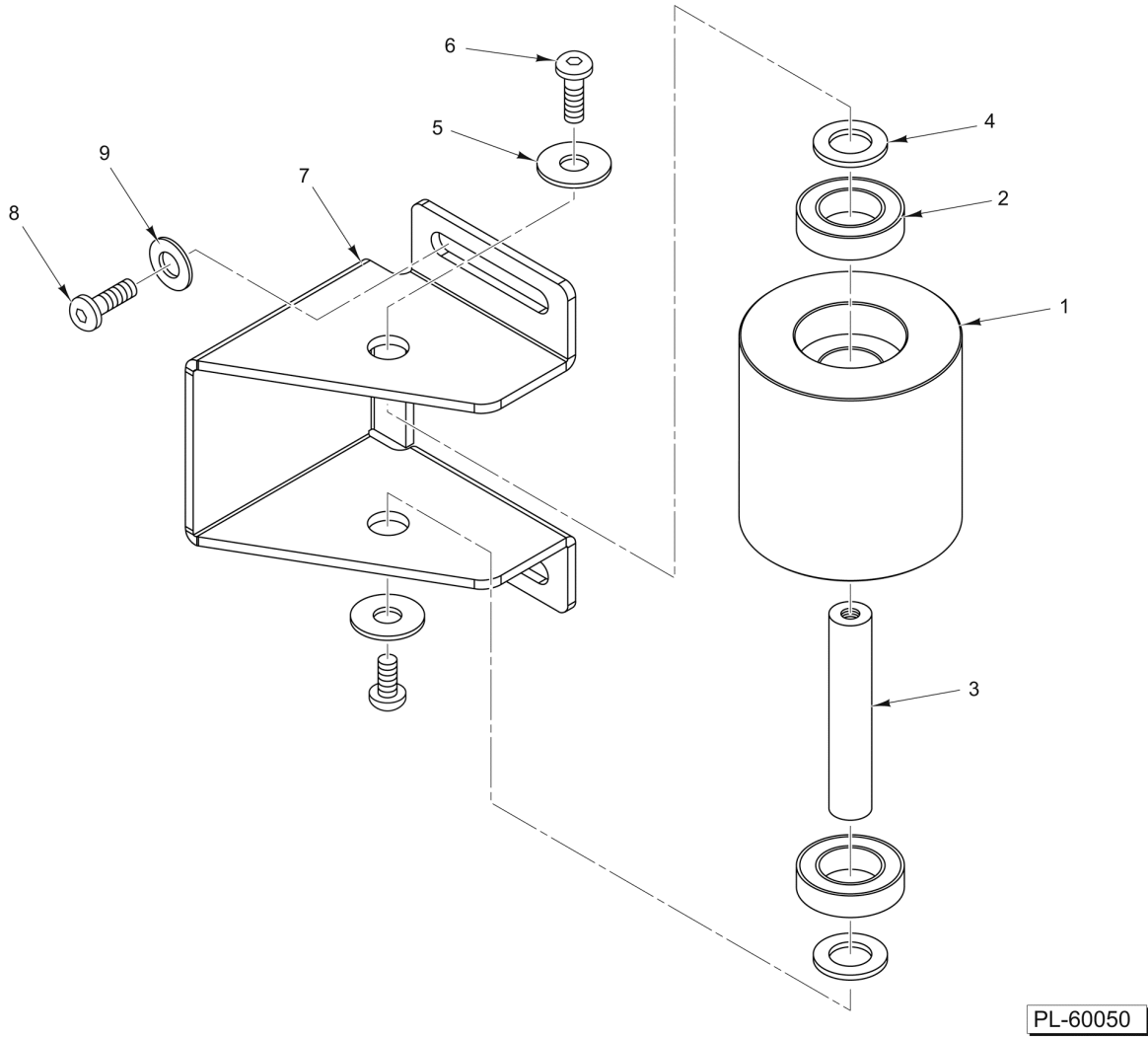


PL-60049

ELECTRICAL COMPONENTS

ELECTRICAL COMPONENTS

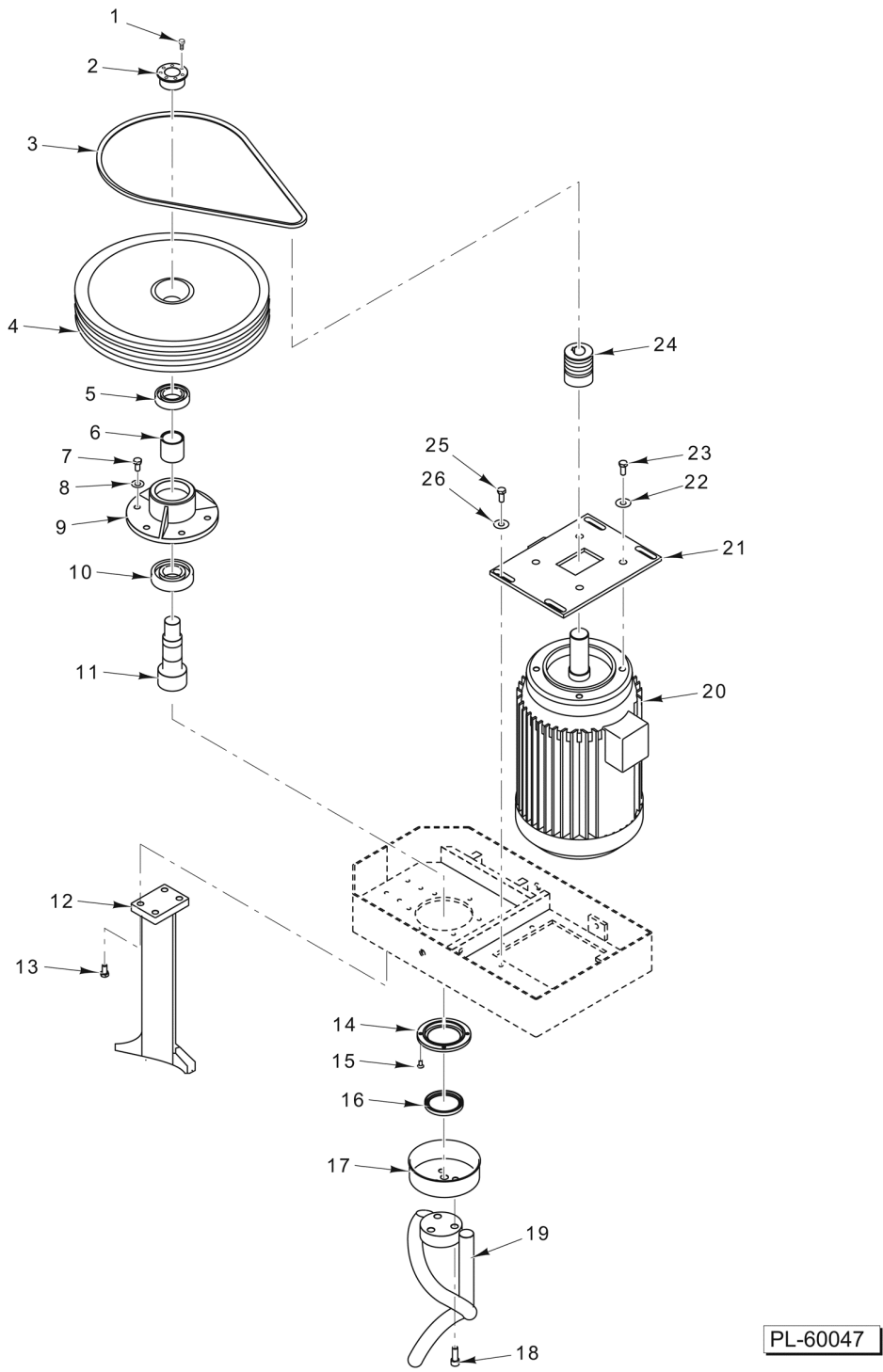
| ILLUS. | PART NO. | NAME OF PART | AMT. |
|----------|-----------------|--|------|
| PL-60049 | | | |
| 1 | 00-917671-00093 | Breaker - Circuit Therm. Magn..... | 1 |
| 2 | 00-917671-00092 | Breaker - Circuit Therm. Magn..... | 2 |
| 3 | 00-917671-00183 | Switch - Main..... | 1 |
| 4 | 00-917671-00091 | Shaft - Extensions..... | 1 |
| 5 | 00-917671-00184 | Transformer (250 VA, 208-230 V., 24A)..... | 1 |
| 6 | 00-917671-00185 | Breaker - Circuit..... | 1 |
| 7 | 00-917671-00101 | Breaker - Circuit Motor..... | 1 |
| 8 | 00-917671-00186 | Contactactor..... | 1 |
| 9 | 00-917671-00094 | Contactactor..... | 1 |
| 10 | 00-917671-00187 | Contactactor..... | 1 |
| 11 | | Screw M6 x 12 Hex Button Hd..... | 2 |
| 12 | 00-917671-00188 | Contactactor..... | 2 |



BOWL THRUST BLOCK ROLLER

BOWL THRUST BLOCK ROLLER

| ILLUS. | PART NO. | NAME OF PART | AMT. |
|----------|-----------------|----------------------------------|------|
| PL-60050 | | | |
| 1 | 00-917671-00177 | Roller..... | 1 |
| 2 | 00-917671-00176 | Bearing..... | 2 |
| 3 | 00-917671-00191 | Pin..... | 1 |
| 4 | | Washer..... | 2 |
| 5 | | Washer..... | 2 |
| 6 | | Screw M6 x 12 Hex Button Hd..... | 2 |
| 7 | 00-917671-00190 | Support..... | 1 |
| 8 | | Screw M8 x 16 Hex Button Hd..... | 2 |
| 9 | | Washer..... | 2 |

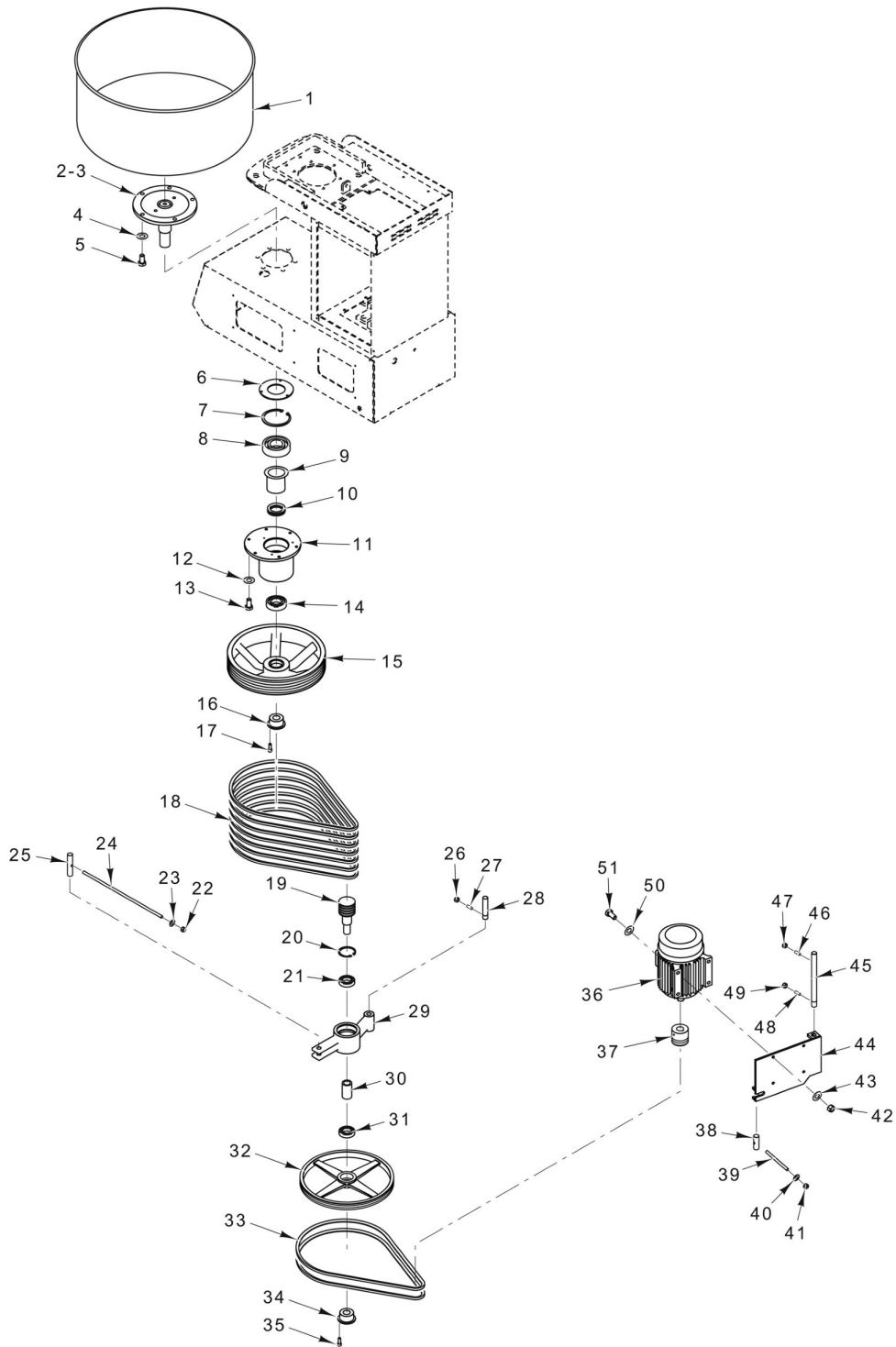


PL-60047

MIXER MOTOR AND COMPONENTS

MIXER MOTOR AND COMPONENTS

| ILLUS. PL-60047 | PART NO. | NAME OF PART | AMT. |
|--------------------|-----------------|----------------------------------|------|
| 1 | | Screw M8 x 30 Hex Socket Hd..... | 7 |
| 2 | 00-917671-00135 | Lock - Taper..... | 1 |
| 3 | 00-917671-00037 | Belt - XPZ 1800..... | 8 |
| 4 | 00-917671-00171 | Pulley - Spiral..... | 1 |
| 5 | 00-917671-00019 | Bearing - 3212..... | 1 |
| 6 | 00-917671-00136 | Spacer - Shaft..... | 1 |
| 7 | | Screw M12 x 30 Hex Hd..... | 6 |
| 8 | | Washer..... | 6 |
| 9 | 00-917671-00133 | Support - Spiral..... | 1 |
| 10 | 00-917671-00033 | Bearing - 6212..... | 1 |
| 11 | 00-917671-00169 | Shaft - Spiral..... | 1 |
| 12 | 00-917671-00138 | Column..... | 1 |
| 13 | | Screw M12 x 40 Hex Hd..... | 4 |
| 14 | 00-917671-00154 | Support - Top Cover Spiral..... | 1 |
| 15 | | Screw..... | 4 |
| 16 | 00-917671-00204 | Ring - Retaining..... | 1 |
| 17 | 00-917671-00155 | Sump - Spiral..... | 1 |
| 18 | | Screw M16 x 60 Hex Hd..... | 3 |
| 19 | 00-917671-00153 | Tool - Spiral Mixing..... | 1 |
| 20 | 00-917671-00223 | Motor, 208V..... | 1 |
| 21 | 00-917671-00168 | Plate - Motor Support..... | 1 |
| 22 | | Washer..... | 4 |
| 23 | | Screw M10 x 30 Hex Hd..... | 4 |
| 24 | 00-917671-00172 | Pulley..... | 1 |
| 25 | | Screw M12 x 35 Hex Hd..... | 4 |
| 26 | | Washer..... | 4 |

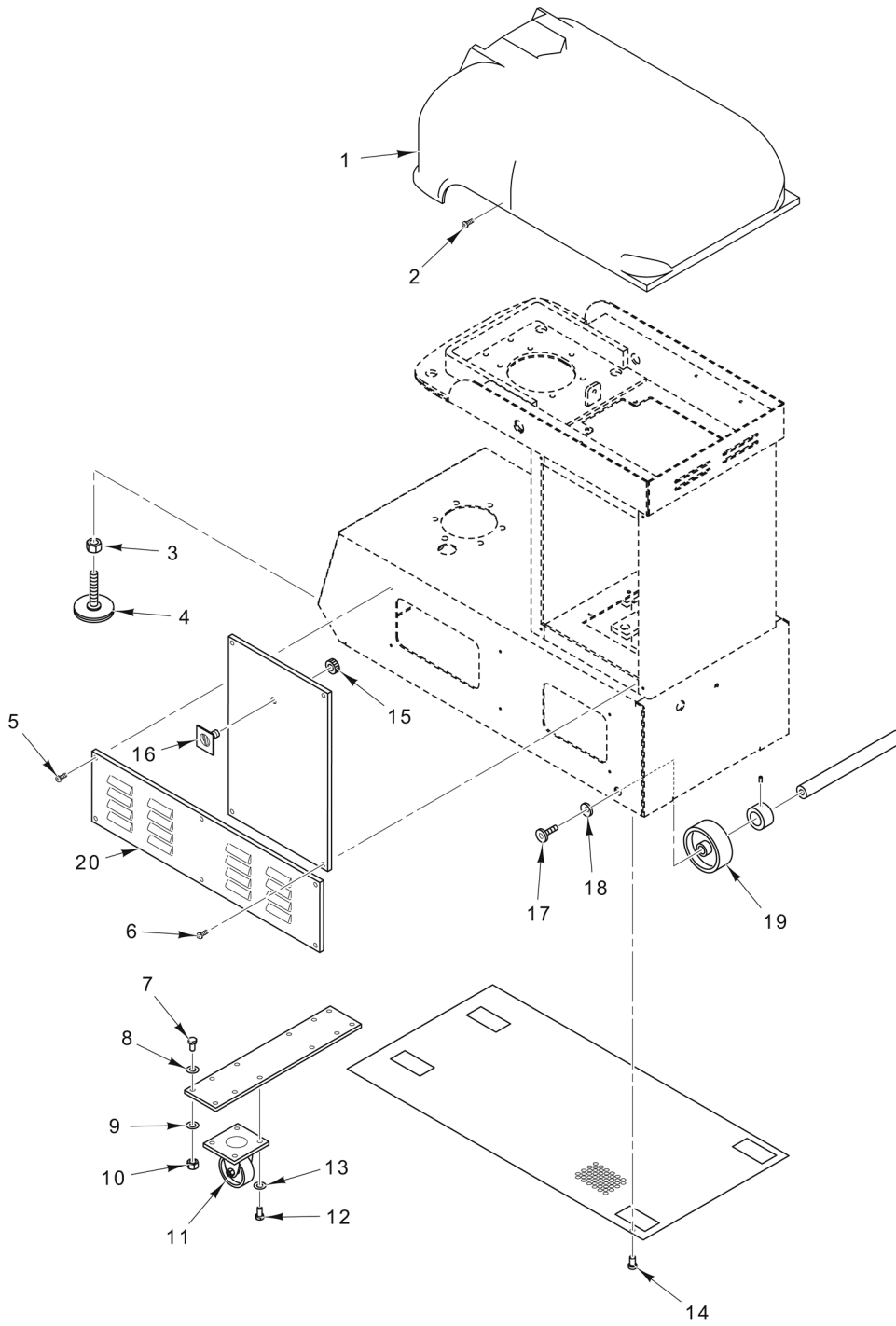


PL-60046

BOWL MOTOR AND COMPONENTS

BOWL MOTOR AND COMPONENTS

| ILLUS. | PART NO. | NAME OF PART | AMT. |
|----------|-----------------|---|------|
| PL-60046 | | | |
| 1 | 00-917671-00164 | Bowl (HSU440)..... | 1 |
| 2 | 00-917671-00159 | Shaft - Bowl..... | 1 |
| 3 | 00-917671-00054 | Pin - Centering Bowl..... | 1 |
| 4 | | Washer..... | 5 |
| 5 | | Screw M12 x 35 Hex Hd..... | 5 |
| 6 | 00-917671-00161 | Cover..... | 1 |
| 7 | 00-917671-00199 | Ring - Retaining..... | 1 |
| 8 | 00-917671-00030 | NLA - Obsolete--Bearing - 3214..... | 1 |
| 9 | 00-917671-00160 | Spacer - Bowl Support..... | 1 |
| 10 | 00-917671-00031 | NLA - Obsolete--Bearing - 51216..... | 1 |
| 11 | 00-917671-00158 | Support - Bowl..... | 1 |
| 12 | | Washer..... | 6 |
| 13 | | Screw M12 x 30 Hex Hd..... | 6 |
| 14 | 00-917671-00032 | NLA - Obsolete--Bearing - 6214 2RS..... | 1 |
| 15 | 00-917671-00163 | Pulley - Rotating Bowl..... | 1 |
| 16 | 00-917671-00200 | Lock - Taper..... | 1 |
| 17 | | Screw M8 x 30 Hex Socket Hd..... | 6 |
| 18 | 00-917671-00037 | Belt - XPZ 1800..... | 7 |
| 19 | 00-917671-00170 | Shaft - Counter..... | 1 |
| 20 | 00-917671-00173 | Seeger Ring..... | 1 |
| 21 | 00-917671-00034 | NLA - Obsolete--Bearing - 6309 2RS..... | 1 |
| 22 | | Acorn Nut..... | 1 |
| 23 | | Washer..... | 1 |
| 24 | | Rod - Tie..... | 1 |
| 25 | 00-917671-00050 | Pin - Transmission Support..... | 1 |
| 26 | | Nut..... | 1 |
| 27 | | Set Screw M8 x 25..... | 1 |
| 28 | 00-917671-00084 | Pin - Transmission Support..... | 1 |
| 29 | 00-917671-00165 | Support - Bowl Double Pulley..... | 1 |
| 30 | 00-917671-00166 | Spacer - Countershaft..... | 1 |
| 31 | 00-917671-00034 | NLA - Obsolete--Bearing - 6309 2RS..... | 1 |
| 32 | 00-917671-00167 | Pulley - Transmission..... | 1 |
| 33 | 00-917671-00038 | NLA - Obsolete--Belt - XPZ 1900..... | 2 |
| 34 | 00-917671-00074 | Lock - Taper..... | 1 |
| 35 | | Screw M6 x 25 Hex Socket Hd..... | 8 |
| 36 | 00-917671-00175 | Motor..... | 1 |
| 37 | 00-917671-00162 | Pulley..... | 1 |
| 38 | 00-917671-00050 | Pin - Transmission Support..... | 2 |
| 39 | 00-917671-00202 | Rod - Tie..... | 1 |
| 40 | | Washer..... | 1 |
| 41 | | Acorn Nut..... | 1 |
| 42 | | Nut..... | 4 |
| 43 | | Washer..... | 4 |
| 44 | 00-917671-00157 | Support - Motor Bowl..... | 1 |
| 45 | 00-917671-00156 | Pin - Motor Plate..... | 1 |
| 46 | | Set Screw..... | 2 |
| 47 | | Nut..... | 2 |
| 48 | | Set Screw M8 x 30..... | 1 |
| 49 | | Nut..... | 1 |
| 50 | | Washer..... | 4 |
| 51 | | Screw Hex Hd..... | 4 |

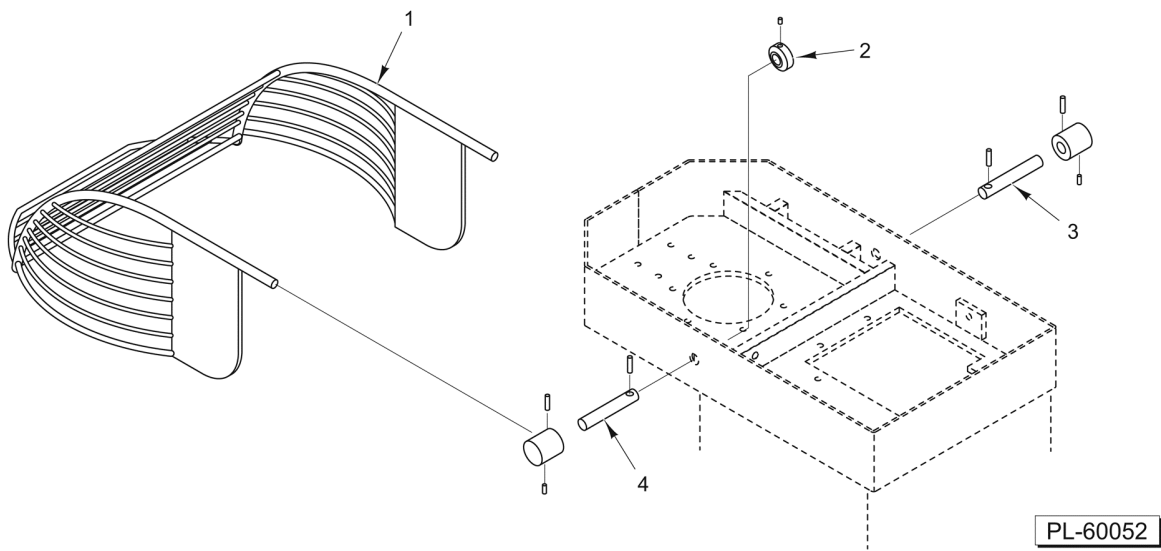


PL-60051

PANELS AND COVERS

PANELS AND COVERS

| ILLUS. | PART NO. | NAME OF PART | AMT. |
|----------|-----------------|----------------------------------|------|
| PL-60051 | | | |
| 1 | 00-917671-00152 | Cover - Top..... | 1 |
| 2 | | Screw M5 x 20 Hex Button Hd..... | 2 |
| 3 | | Nut..... | 2 |
| 4 | 00-917671-00118 | Foot (Adjusting)..... | 2 |
| 5 | | Screw M6 x 25 Hex Button Hd..... | 6 |
| 6 | | Screw M6 x 25 Hex Button Hd..... | 4 |
| 7 | | Screw M8 x 35 Hex Hd..... | 4 |
| 8 | | Washer..... | 4 |
| 9 | | Washer..... | 4 |
| 10 | | Nut..... | 4 |
| 11 | 00-917671-00119 | Caster - Front..... | 2 |
| 12 | | Screw M8 x 17 Hex Hd..... | 8 |
| 13 | | Washer..... | 8 |
| 14 | | Screw M5 x 12 Hex Button Hd..... | 18 |
| 15 | | Lock Nut..... | 1 |
| 16 | 00-917671-00090 | Actuator - Main Power..... | 1 |
| 17 | | Screw Flat Socket Hd..... | 2 |
| 18 | | Washer..... | 2 |
| 19 | 00-917671-00120 | Wheel..... | 2 |
| 20 | | Panel..... | 1 |



BOWL GUARD

BOWL GUARD

| ILLUS. PL-60052 | PART NO. | NAME OF PART | AMT. |
|--------------------|-----------------|-----------------------------------|------|
| 1 | 00-917671-00193 | Guard - Bowl.....1 | 1 |
| 2 | 00-917671-00124 | Cam Control.....1 | 1 |
| 3 | 00-917671-00192 | Shaft - Rotating Protection.....1 | 1 |
| 4 | 00-917671-00195 | Shaft - Rotating Protection.....1 | 1 |

