



CATALOG OF REPLACEMENT PARTS



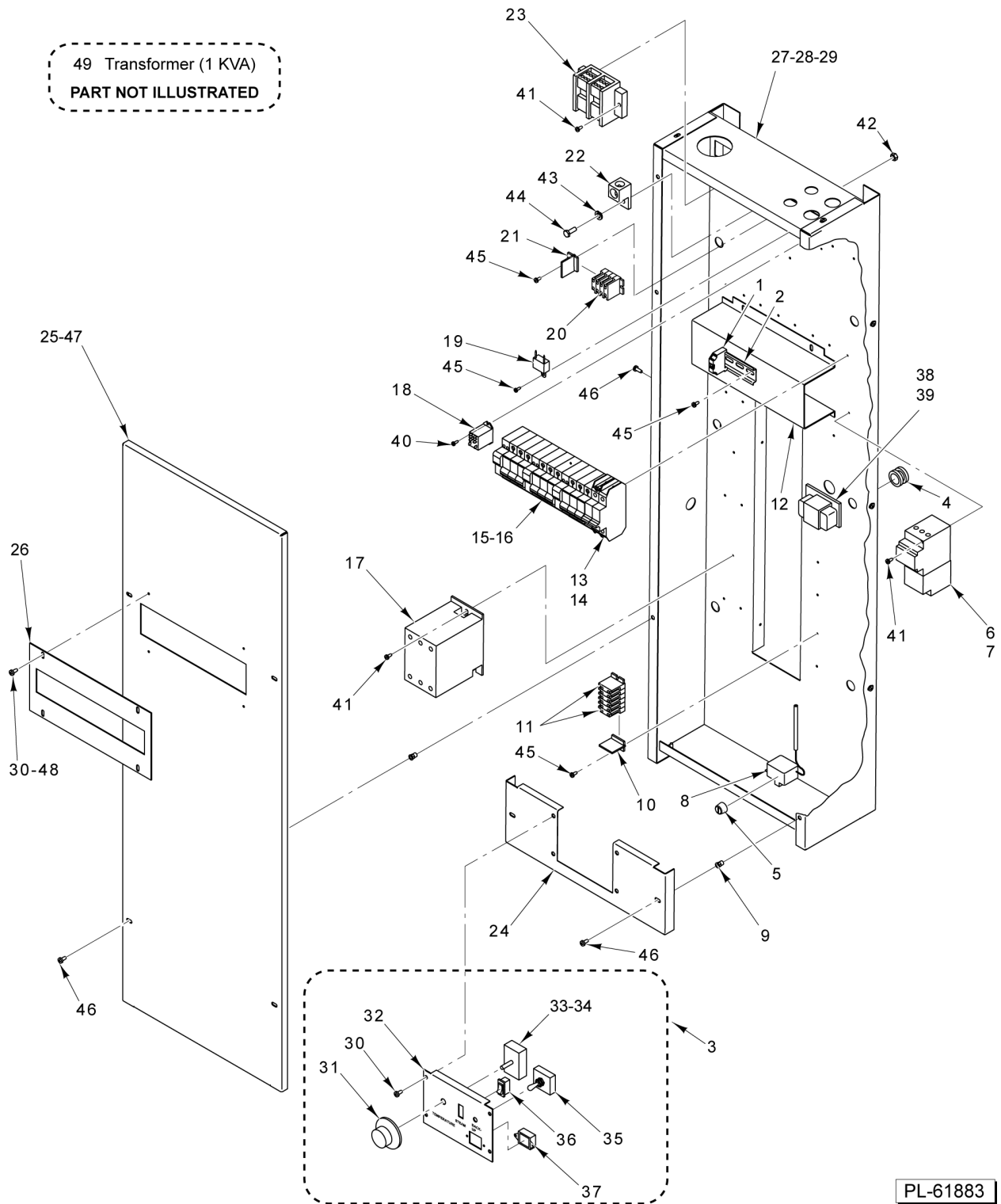
OV500E2 ELECTRIC RACK OVEN

ML-132586

OV500E2

Table of Contents

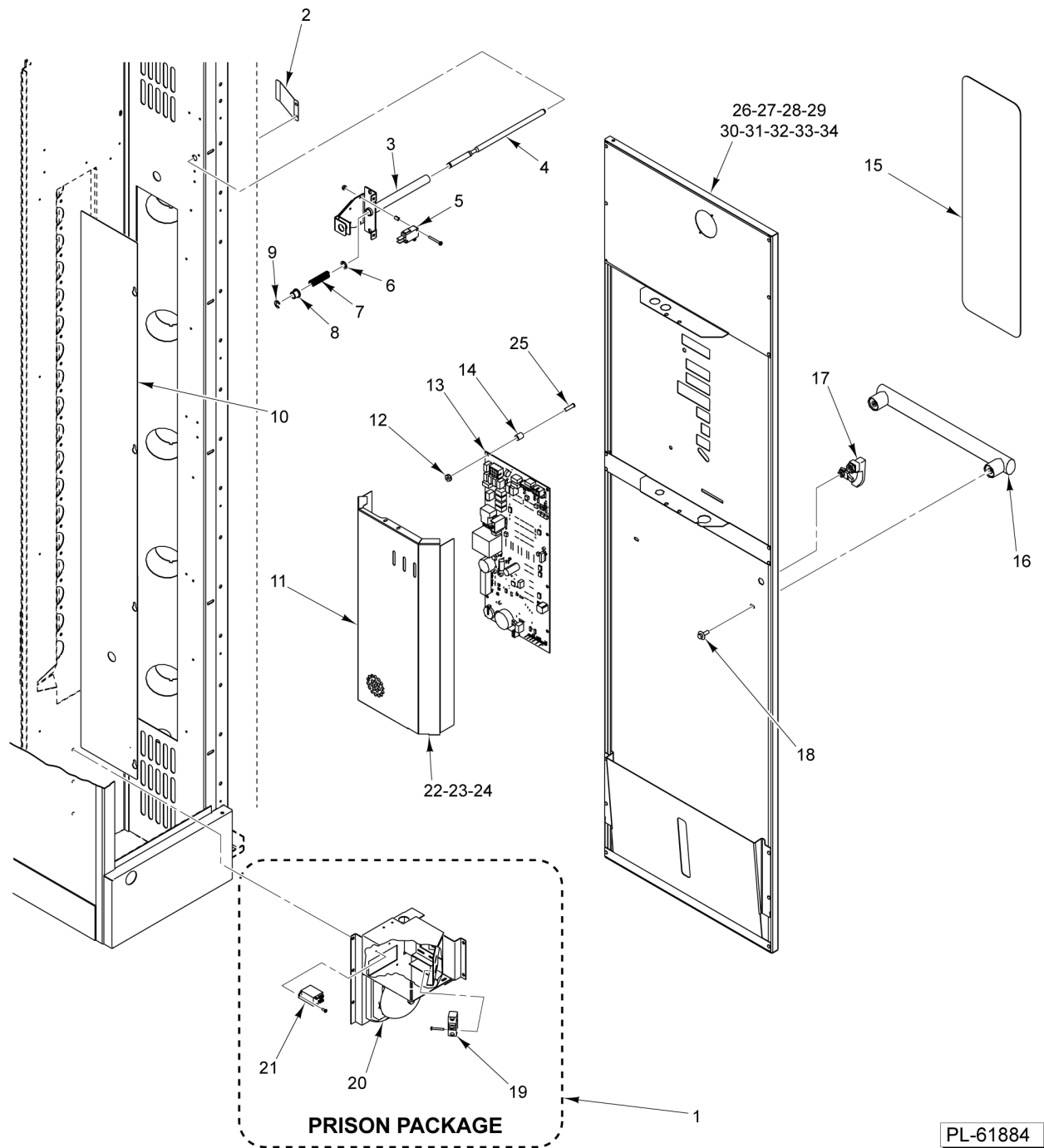
5	COMPONENT BOX
7	CONTROL CABINET, DOOR, AND CONTROLLER
9	CABINET
11	HOOD
13	LOADING DOOR
15	OUTER GLASS ASSEMBLY
17	LOADING DOOR (SECURITY)
19	BLOWER, PANELS, AND VENTS
23	CEILING AND SHUTTERS
25	LIFTER
27	ROTATOR
29	CARRIER
31	STEAMER ASSEMBLY
33	HEATING ELEMENTS
35	EXTERIOR WATER SUPPLY



COMPONENT BOX

COMPONENT BOX

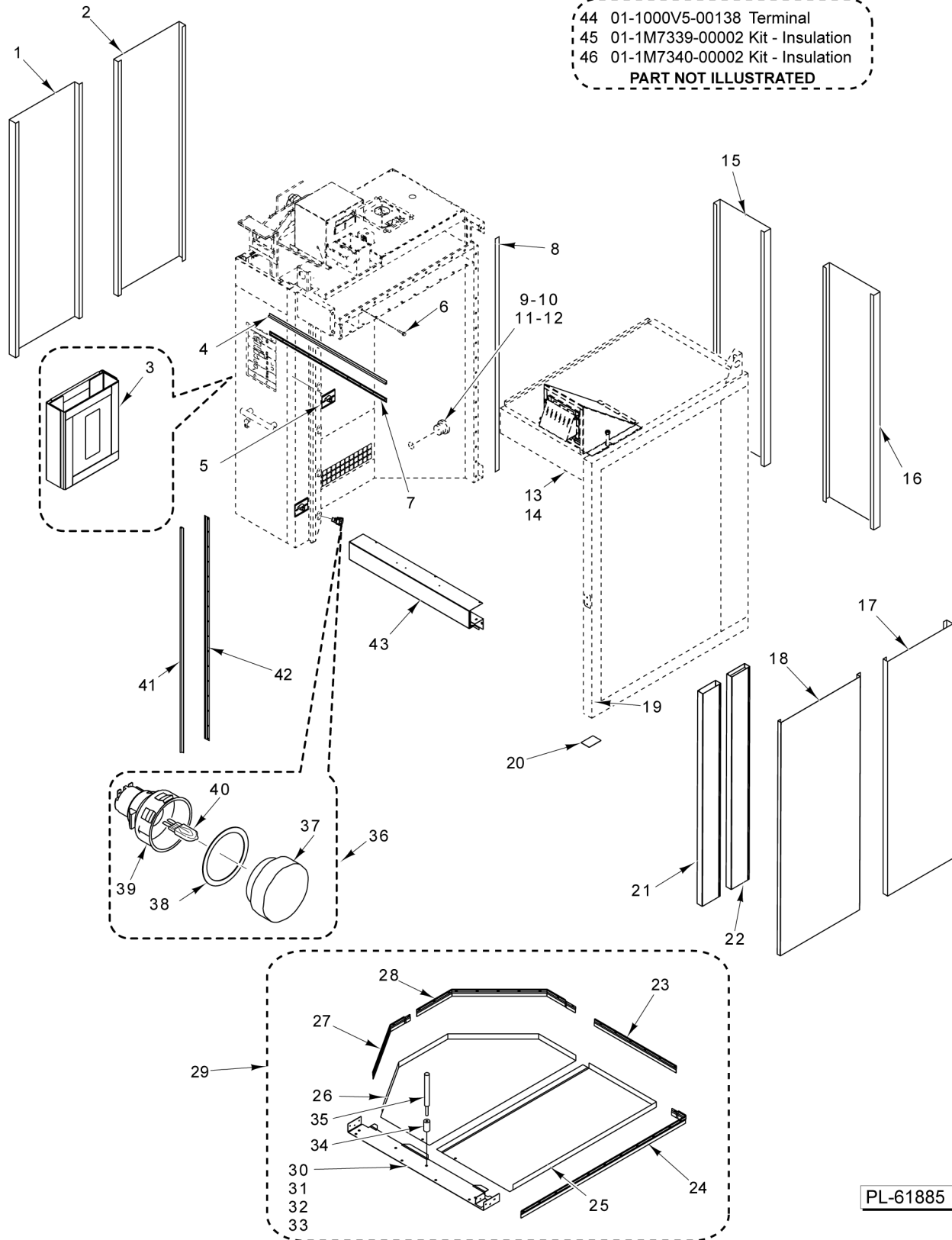
ILLUS. PL-61883	PART NO.	NAME OF PART	AMT.
1	01-1000V6-00252	End Stop - Din Rail.....	8
2	01-100V18-00115	Din Rail 9080-M H (12 In.).....	AR
3	01-1M5083-00001	Back-Up Control Unit (Incls. Items 31 thru 37).....	1
4	01-1000V5-00059	Bushing - Snap 7/8 In. (Plastic).....	1
5	01-1000V6-00407	High Limit Cap - Hi-Limit.....	1
6	01-1M7548-00002	Contactor - Overload Assy. (4-6 Amp.) (208-240 V.).....	1
7	01-1M7549-00002	Contactor - Overload Assy. (1.6 - 2.5 Amp.) (380-415/440-480 V.).....	1
8	01-1M6165-00001	Kit, High Limit (608 Deg. F/320 Deg. C) - Manual Reset.....	1
9	01-1000V4-00121	Insert - Threaded 10-32 Hex.....	AR
10	01-1000V5-00106	Strip End - Terminal.....	AR
11	01-1000V5-00105	Strip - Terminal.....	AR
12	01-1M5418-00008	Bracket - Circuit Breaker.....	1
13	01-1000V6-00423	Circuit Breaker (10A) (1 Ph.).....	2
14	01-1000V6-00424	Circuit Breaker (13A) (1 Ph.).....	1
15	01-1M7547-00001	Kit - Breaker Replacement (32/35 Amp.) (380-415/440-480 V.) (With 120 V. UV Breaker).....	3
16	01-1M7546-00001	Kit - Breaker Replacement (63 Amp.) (208-240 V.) (With 120 V. UV Breaker).....	3
17	01-1000V6-00348	Contactor (3-Pole) (50 Amp.).....	3
18	01-1000V6-00271	Relay - D.P.D.T. (1/2 Hp., 120 VAC).....	1
19	01-100V10-00242	Filter - EMI.....	1
20	01-1000V5-00105	Strip - Terminal.....	6
21	01-1000V5-00106	Strip End - Terminal.....	1
22	01-1000V5-00101	Lug - Grounding.....	1
23	01-1000V5-00063	Power Distribution Block.....	1
24	01-1M5418-00002	Cover - Electric Component Box (Bottom).....	1
25	01-1M5418-00009	Cover - Electric Box Assy. (Incls. Items 26, 30, 48, & 49).....	1
26	01-1M5418-00010	Cover - Circuit Breaker.....	1
27	01-1M5828-0001F	Module - Electric (208-240 V./60/3) (Incls. Items 1 thru 4, 6, 8 thru 14, 16 thru 26, 38, & 40 thru 46).....	1
28	01-1M5828-0002F	Module - Electric (440-480 V./60/3) (Incls. Items 1 thru 4, 7 thru 15, 17 thru 26, 38, & 40 thru 46).....	1
29	01-1M5828-0003F	Module - Electric (380 V.) (Incls. Items 1 thru 25).....	1
30	01-1000V4-00474	(SST).....	AR
31	01-100V18-00149	Knob - Thermostat.....	1
32	01-1M5084-00001	Plate - Back-Up Control ID.....	1
33	01-1000V6-00450	Thermostat W/ Compression Fitting (Back-Up Controls).....	1
34	01-1M5894-00001	Bracket - Back-Up.....	1
35	01-1000V6-00220	Switch - Toggle 4 PDT.....	1
36	01-1000V6-00221	Switch - MOM Transfer.....	1
37	01-1000V6-00271	Relay - D.P.D.T. (1/2 Hp., 120 VAC).....	1
38	01-100V10-00278	Transformer (5 VA) (120-24 V.).....	1
39	01-1M2734-00001	Plate - Transformer.....	1
40	01-1000V4-00515	Screw - Sheet Metal, Pan Hd. 6-32 x 3/8 (Zinc).....	AR
41	01-1000V4-00630	Screw Pan Hd. Phil. #8-32 x 3/4.....	AR
42	01-1000V4-00330	Nut, Hex 1/4-20 (Zinc).....	AR
43	01-1000V4-00470	Lockwasher 1/4 In. (SST).....	AR
44	01-1000V4-00417	Mach. Screw Hex Hd. 1/4-20 x 3/4 In.....	AR
45	01-1000V4-00631	Screw Pan. Hd. #8-32 x 3/8.....	AR
46	01-1000V4-00429	Screw Pan Hd. Phil. #10-32 x 1/2.....	AR
47	01-1M5418-00601	Cover - Electric Box.....	1
48	01-1000V4-00434	Washer - Flat #10 (SST).....	4
49	01-100V10-00119	Transformer (1 KVA) (Export) (Located On Lift / Rack Assy.).....	1



CONTROL CABINET, DOOR, AND CONTROLLER

CONTROL CABINET, DOOR, AND CONTROLLER

ILLUS. PL-61884	PART NO.	NAME OF PART	AMT.
1	01-1M5640-00001	Stop Assy. - Emergency (Incls. Items 19 thru 21).....	1
2	01-1M6928-00001	Plate, Actuator (Door Switch).....	1
3	01-1M6478-00001	Door Switch Assy. (Spring Loaded) (Incls. Items 4 thru 9).....	1
4	01-1M6478-00101	Rod - Actuator.....	1
5	01-1000V6-00343	Switch - Lever SPST.....	2
6	01-1000V1-00078	Clip - E-Door.....	1
7	01-100V20-00027	Spring - Compression.....	1
8	01-1M6478-00103	Bearing (Bronze).....	1
9	01-1000V1-00078	Clip - E-Door.....	1
10	01-1M5150-00001	Cover - Light Access.....	1
11	01-1M7063-00102	Cover, Control - Display (Before S/N 242026434).....	1
12	01-1000V4-00336	Nut #10-32 W/ Lockwasher (SST).....	8
13	01-100V16-01036	Board - Control (USB Compatible).....	1
14	01-1000V5-00164	Spacer 3/8 x 5/16 Lg. (Nylon).....	8
15	01-100V16-00866	Label - Advanced Controls.....	1
16	01-1M6376-00004	Handle - Control Door.....	1
17	01-100V18-00161	Latch.....	1
18	01-1000V4-00283	Mach. Screw 1/4-20 x 3/4 Hex Washer Hd. (SST).....	AR
19	01-1000V6-00255	Switch - Emergency Stop (Prison Package).....	1
20	01-100V10-0003B	Bell (Includes Gong & Body) (Prison Package).....	1
21	01-1000V6-00070	Relay - D.P.D.T. (1/2 Hp., 120 VAC).....	1
22	01-100V11-0030A	Connector - Seal Flex (3/8 x 90 Deg.).....	2
23	01-100V16-00584	Label - Control Status.....	1
24	01-1M6078-00001	Kit - Controller Harness.....	1
25	01-1000V4-00157	NLA - Obsolete--Screw.....	8
26	01-1M7063-00002	Door Assy. - Control (Incls. Items 10 thru 18).....	1
27	01-1M7062-00002	Door - Control Weldment (W/ Studs) (No Overlay).....	1
28	01-100V16-0866P	Label - Advanced Controls (Portuguese).....	1
29	01-1000V7-00039	Indicator - Light (Costco).....	1
30	01-1M7062-00004	Control Door Assy. (Security) (Incls. Item 15).....	1
31	01-1M7063-0002P	Door Assy. - Control (Portuguese) (Incls. Items 10 thru 18, 27, & 28).....	1
32	01-1M7063-00004	Door Assy. - Control (Security) (Incls. Items 10 thru 18, 27, 28, & 30).....	1
33	01-1M7063-00006	Door Assy. - Control (Costco) (Incls. Items 10 thru 18, & 27 thru 29).....	1
34	01-1M7063-00016	Door Assy. - Control (Costco Australia) (Incls. Items 10 thru 18, & 27 thru 29).....	1

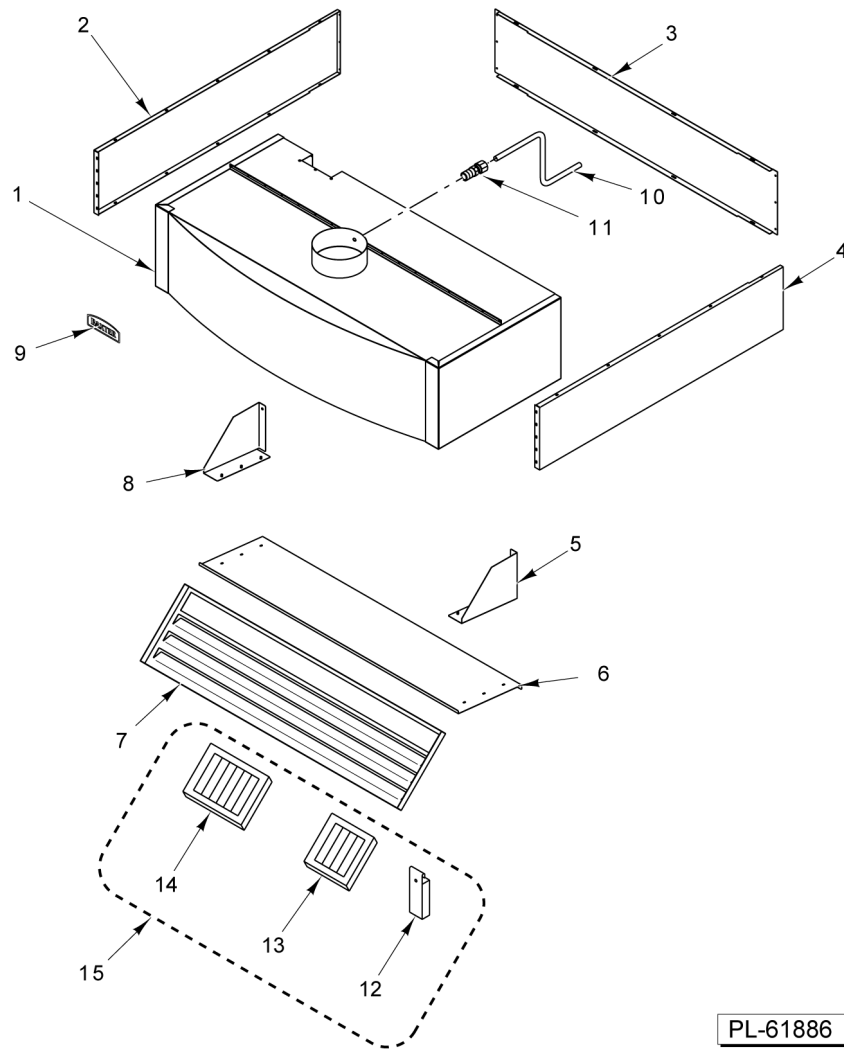


CABINET

PL-61885

CABINET

ILLUS. PL-61885	PART NO.	NAME OF PART	AMT.
1	01-1M7061-00202	Skin - Outer (22.475 In.).....	1
2	01-1M7061-00201	Skin - Outer (28.625 In.).....	1
3	01-1P2429-00003	Kit - Thermometer Holder Panel - Outer Wall Split.....	1
4	01-100V16-0789B	Gasket - Loading Door (Horizontal) (45.31 In.).....	1
5	01-1M6116-00002	Ramp Lock - Weldment.....	2
6	01-1000V4-00283	Mach. Screw 1/4-20 x 3/4 Hex Washer Hd. (SST).....	AR
7	01-1M7090-00201	Retainer - Gasket (Horizontal).....	1
8	01-100V21-0065A	Tape - Fiberglass (1/8 x 1) (With Adhesive) (Sold Per Foot).....	AR
9	01-100V17-00183	Coupler 1/2 In. (SST).....	1
10	01-100V17-00533	Pipe 6-1/2 x 1/2 (SST).....	1
11	01-100V17-00732	Pipe 48-1/2 In.....	1
12	01-100V17-00766	Plug - 1/2 NPT (Rear Drain).....	1
13	01-1M7049-00002	Ceiling Assy. - False (LH).....	1
14	01-1M7049-00004	Ceiling Assy. - False (RH).....	1
15	01-1M7061-00201	Skin - Outer (28.625 In.).....	1
16	01-1M7061-00201	Skin - Outer (28.625 In.).....	1
17	01-1M7061-00202	Skin - Outer (22.475 In.).....	1
18	01-1M7061-00201	Skin - Outer (28.625 In.).....	1
19	01-1M2335-00001	Wheel (For Installation).....	1
20	01-1M5610-00201	Shim - Jamb Plate.....	AR
21	01-1M2089-00001	Duct - Bottom Vent (Front).....	1
22	01-1M2566-00001	Duct - Side (Rear).....	1
23	01-1M7105-00202	Trim Assy. - Floor (Rear).....	1
24	01-1M7105-00201	Trim - Floor Assy. (RH).....	1
25	01-1M7101-00002	Skin - Floor (RH).....	1
26	01-1M7102-00002	Skin - Floor (LH).....	1
27	01-1M7105-00204	Trim - Front Floor (Left Front).....	1
28	01-1M7105-00203	Trim - Rear Floor (Left Rear).....	1
29	01-1M7104-00002	Kit - Floor (Incls. Items 23 thru 28).....	1
30	01-1M7047-00201	Threshold.....	1
31	01-1000V4-00221	Mach. Screw 1/4-20 x 1/2 Phil. Flat Hd. (SST).....	AR
32	01-1000V4-00222	Mach. Screw 1/4-20 x 3/4 Phil. Flat Hd. (SST).....	AR
33	01-1000V4-00223	Mach. Screw 1/4-20 x 1 Phil. Flat Hd. (SST).....	AR
34	01-1000V4-00073	Anchor - Drop-In 1/4-20.....	1
35	01-1000V4-0073A	Tool - Setting (1/4 In.).....	1
36	01-1M7311-00001	Kit - Light Replacement (Incls. Items 37 thru 40).....	AR
37	01-1000V7-00058	Lens - Oven Lamp.....	AR
38	01-1000V7-00059	Ring - Pressure.....	AR
39	01-1000V7-00057	Base - Halogen Oven Lamp.....	AR
40	01-1000V7-00054	Bulb - Halogen G9 Base.....	AR
41	01-100V16-0789A	Gasket - Loading Door (Vertical) (75.25 In.).....	2
42	01-1M7090-00202	Retainer - Gasket (Loading Door).....	2
43	01-1M7031-00002	Header - Loading Door (Top).....	1
44	01-1000V5-00138	Terminal - Straight Female Insulated.....	AR
45	01-1M7339-00002	Kit - Insulation (Complete Oven Kit) (Incls. Item 46).....	1
46	01-1M7340-00002	Kit - Insulation, Oven (Split Bag) (Center Seam Insulation).....	1

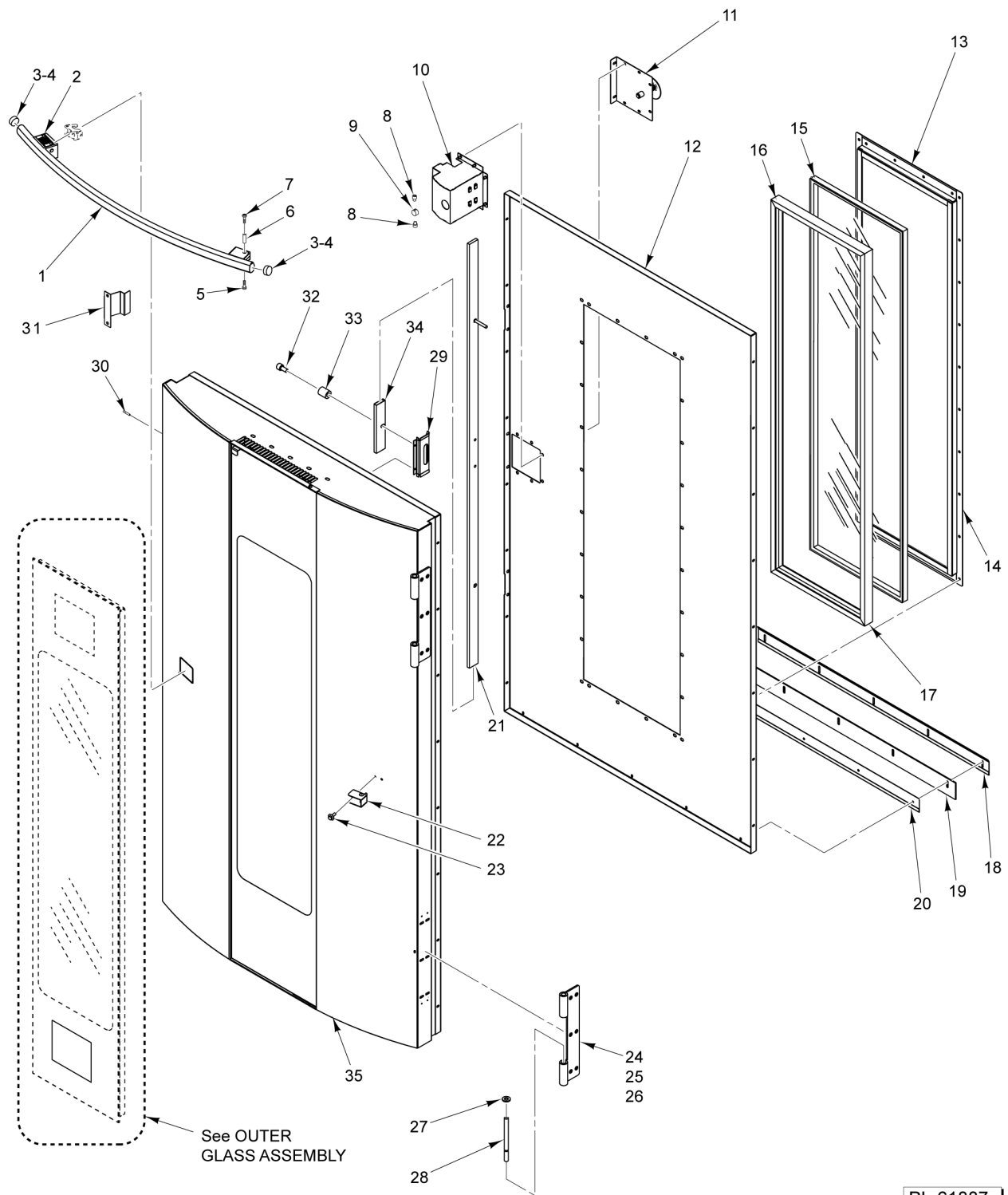


PL-61886

HOOD

HOOD

ILLUS.	PART NO.	NAME OF PART	AMT.
PL-61886			
1	01-1M7121-00004	Hood - Crated Assembly (Curved 30 In.).....	1
2	01-1M6115-00201	Trim - Side.....	1
3	01-1M6115-00202	Trim - Rear.....	1
4	01-1M6115-00201	Trim - Side.....	1
5	01-1M7125-00001	Bracket - Plenum (Left).....	1
6	01-1M7124-00002	Plenum - Hood.....	1
7	01-1M7123-00002	Baffle - Hood.....	1
8	01-1M7125-00002	Bracket - Plenum (Right).....	1
9	01-100V16-0772B	Nameplate - Baxter Curved (9 In.).....	1
10	01-100V17-00004	Tube 1/4 O.D. x 100 In. Lg. (Alum.) (Sold Per Inch).....	AR
11	FP-078-49	Fitting - Tube (1/4 In.) (Brass).....	1
12	01-1M3032-00001	Cup - Hood Grease.....	1
13	01-100V18-00089	Filter - Hood (16 x 20 W/Drop).....	1
14	01-100V18-00088	Filter - Hood (16 x 16 W/Drop).....	3
15	01-1M5931-00002	Kit - Grease Filter (Incls. Items 12, 13, & 14).....	1



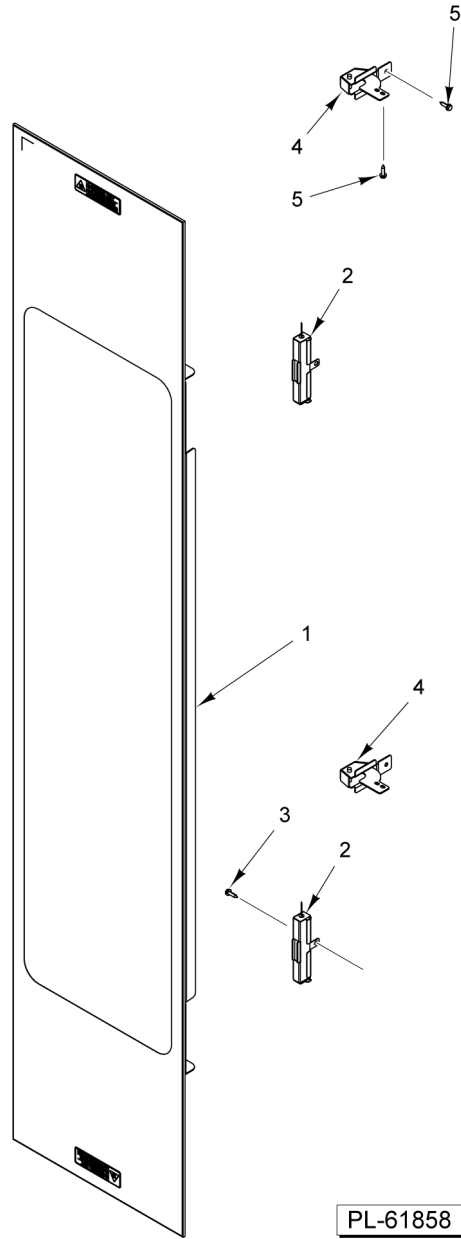
PL-61887

LOADING DOOR

LOADING DOOR

ILLUS. PL-61887	PART NO.	NAME OF PART	AMT.
1	01-1M7081-00002	Handle - Loading Door (Incls. Items 2 & 3).....	1
2	01-100V16-00259	Label - Warning.....	2
3	00-913135-00228	Plug - Snap In (Round).....	2
4	01-1M6103-0203B	Cap - End (Door Handle) (Oval).....	AR
5	01-1000V4-00503	Mach. Screw 1/4-20 x 1/2 In. (SST).....	1
6	01-1M6101-00115	Pin - Handle Hinge (Curved).....	1
7	01-1000V4-00503	Mach. Screw 1/4-20 x 1/2 In. (SST).....	1
8	01-1000V4-00369	Cap Screw 1/4 x 1/4 Hex Socket Hd. (Zinc-Plated).....	AR
9	01-1M6101-00102	Plug - Handle Mount.....	1
10	01-1M7095-00001	Latch Assy. (Mechanism).....	1
11	01-1M7343-00005	Handle - Interior Door.....	1
12	01-1M7093-00201	Skin - Inner Door.....	1
13	01-1M6106-00002	Retainer - Window Horizontal.....	2
14	01-1M6105-00001	Retainer - Window Vertical.....	2
15	01-100V16-00765	Glass - Double Pane.....	1
16	01-100V16-00766	Gasket - Window (One-Piece Fused Corners) (DBL Pane).....	AR
17	01-100V16-00766	Gasket - Window (One-Piece Fused Corners).....	1
18	01-1M6101-00203	Sweep - Outer Door.....	1
19	01-100V16-0779B	Gasket - Door Sweep.....	1
20	01-1M6101-00202	Sweep - Inner Door.....	1
21	01-1M7099-00001	Bar - Lock.....	1
22	01-1M7093-00202	Bracket - Handle Pivot.....	1
23	01-1000V4-00283	Mach. Screw 1/4-20 x 3/4 Hex Washer Hd. (SST).....	2
*24	01-1M5918-00004	Hinge Kit (Incls. Item 25 thru 28).....	2
25	01-1M5918-00301	Hinge - Door (Female).....	2
26	SC-117-97	Cap Screw 1/2-13 x 1 Hex Hd.....	4
27	01-1000V0-00080	Bearing - Door Hinge (Brass).....	4
28	01-1M5918-00201	Pin - Hinge Loading Door.....	4
29	01-1M6101-00109	Lock - Retainer Bar.....	1
30	01-100V12-00008	Rivet.....	8
31	01-1M6526-00001	Bracket - Actuator, Door Switch.....	1
32	01-1000V0-00135	Bearing - Door Latch Roller.....	2
33	01-1M7093-00103	Sleeve - Roller.....	1
34	01-1M6101-00210	Bearing - Lock Bar.....	2
35	01-1M6199-00004	Door Assy. (Crated) (Incls. Item 1 thru 34).....	1

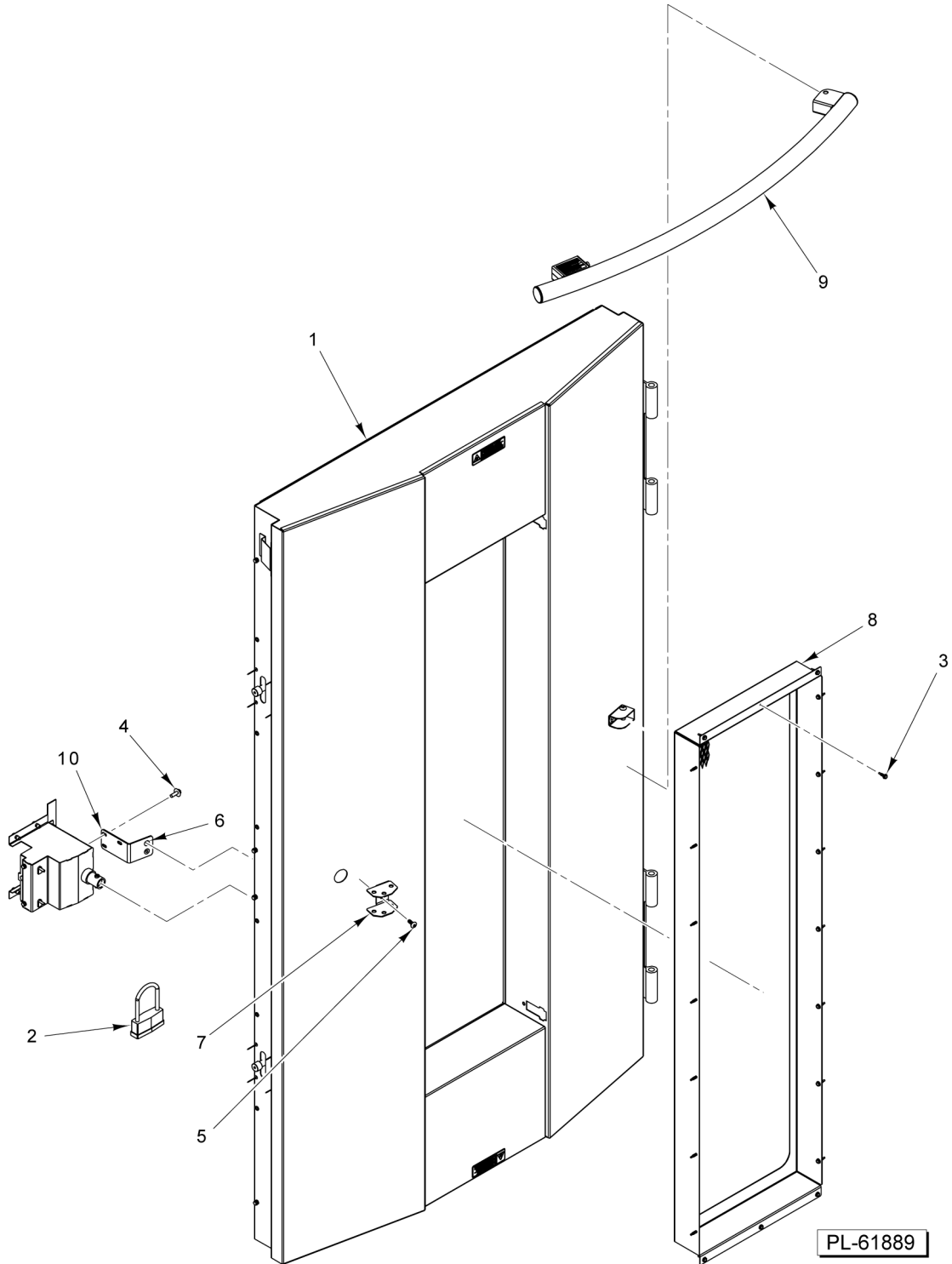
* (Kit includes quantity for one hinge assembly)



OUTER GLASS ASSEMBLY

OUTER GLASS ASSEMBLY

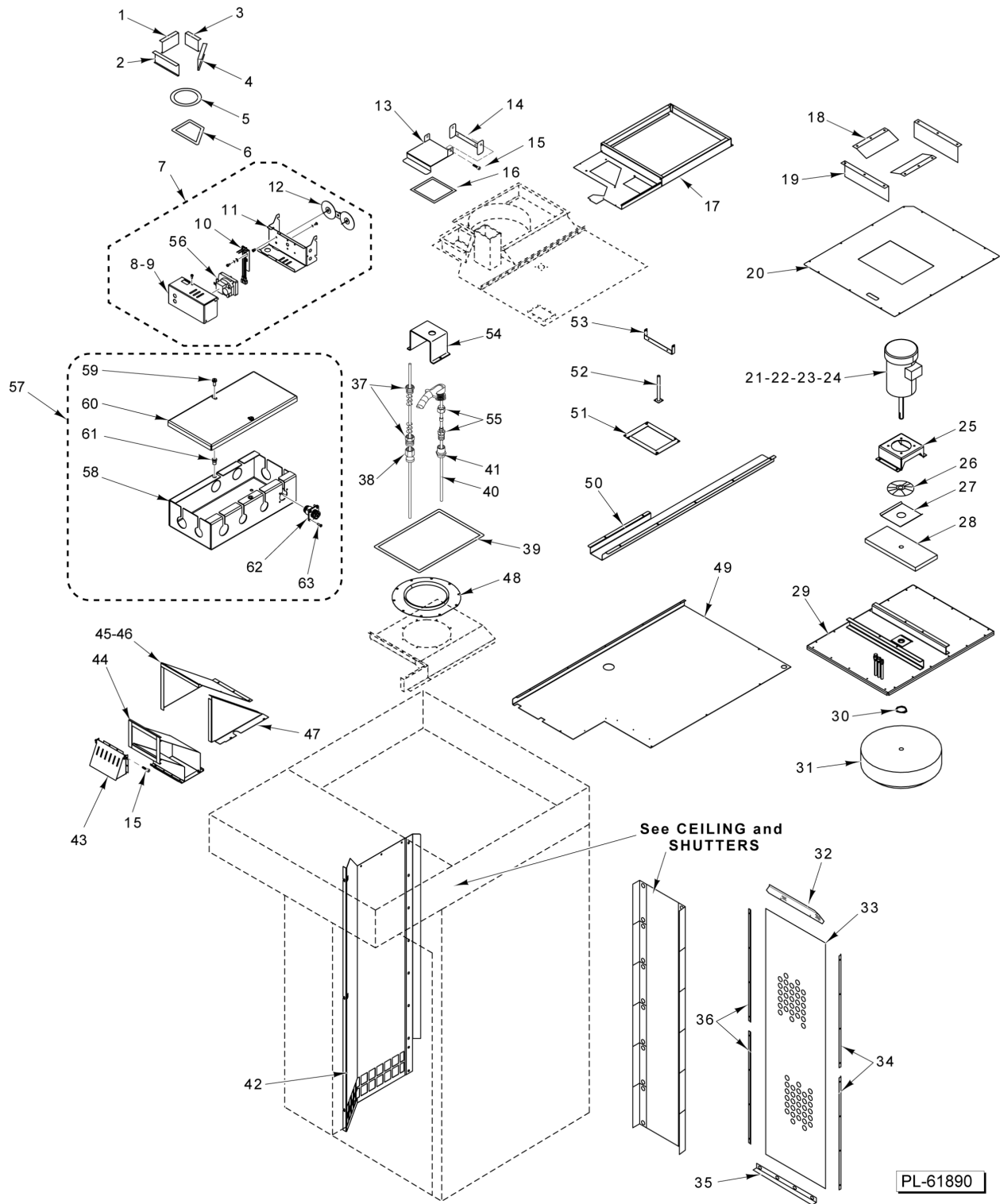
ILLUS.	PART NO.	NAME OF PART	AMT.
PL-61888			
1	01-1M6946-00002	Kit - Outer Door Glass Assy.....	1
2	01-1M7433-00002	Magnet.....	2
3	01-1000V4-00400	Cap Screw 10-32 x 3/4 Hex Hd. (SST).....	2
4	01-1M7434-00002	Hinge Assy.....	2
5	01-1000V4-00400	Cap Screw 10-32 x 3/4 Hex Hd. (SST).....	6



LOADING DOOR (SECURITY)

LOADING DOOR (SECURITY)

ILLUS.	PART NO.	NAME OF PART	AMT.
1	01-1M6199-00006	Kit - Double Door (Security) (Incls Items 3 thru 10).....	1
2	01-100V18-00081	Padlock (Long-Wide Shackle) (Incls. 2 Keys) NLA - 10/24/2023.....	1
3	01-1000V4-00426	Screw #10-16 x 3/4 Hex Hd. (Drill Tip) (SST).....	20
4	01-1000V4-00283	Mach. Screw 1/4-20 x 3/4 Hex Washer Hd. (SST).....	3
5	01-1000V4-00432	Mach. Screw 1/4-20 x 3/4 Phil. Pan Hd.....	2
6	01-1000V4-00122	Insert - Threaded 1/4-20.....	5
7	01-1M7456-00001	Bracket - Latch (Security).....	1
8	01-1M7457-00002	Guard - Weldment (Security).....	1
9	01-1M7477-00002	Handle - Loading Door (Security).....	1
10	01-1M7478-00001	Backer Assy. - Door Latch (Security).....	1



BLOWER, PANELS, AND VENTS

BLOWER, PANELS, AND VENTS

ILLUS. PL-61890	PART NO.	NAME OF PART	AMT.
1	01-1M5015-00004	Retainer - Exhaust Stack Packing.....	1
2	01-1M5015-00001	Retainer - Exhaust Stack Packing, Front.....	1
3	01-1M5015-00003	Retainer - Exhaust Stack Packing.....	1
4	01-1M5015-00002	Retainer - Exhaust Stack Packing.....	1
5	01-100V21-00072	Rope - Glass (3/4 Dia.) (Sold Per Inch).....	AR
6	01-1M5982-00204	Collector (Top Gap Filler).....	1
7	01-1M6551-00001	Vent - Motor Actuator - Assy. (Incls. Items 8 thru 12, 53, & 56).....	1
8	01-1M6551-00102	Bracket - Vent Cover.....	1
9	01-1M7509-00001	Kit, Vent Motor Replacement.....	1
10	01-1M6552-00001	Vent Switch Assy.....	1
11	01-1M6551-00101	Bracket - Mounting (Vent).....	1
12	01-1M6553-00001	Cam - Vent Switch.....	1
13	01-1M6550-00101	Bracket - Vent Lid.....	1
14	01-1M6549-00001	Vent - Intake Lid.....	1
15	01-1000V4-00572	Shoulder Screw, #10-32 X 3/8 Thread Length, .25 DIA X 3/8 Shoulder Length.....	4
16	01-100V16-00682	Gasket - Vent Duct.....	1
17	01-1M7059-00002	Body - Insulation Blower Cover.....	1
18	01-1M1895-00001	Cover - Blower Insulation.....	2
19	01-1M2227-00001	Liner - Blower Insulation Cover.....	2
20	01-1M6955-00205	Cover - Blower Insulation.....	1
21	01-1M7057-00002	Blower Assy. (3 Ph.) (Incls. Items 23, & 25 thru 31).....	1
22	01-1M7057-00004	Blower Assy. (1 Ph.) (Incls. Items 24, & 31).....	1
23	01-1000V8-00052	Motor - Blower (3 Ph., 1-1/2 Hp.).....	1
24	01-1000V8-00067	Motor - Blower (1 Ph., 2 Hp.).....	1
25	01-1M1360-00001	Mount - Blower Motor.....	1
26	01-1M2458-00001	Heat Slinger Assy.....	1
27	01-1M1794-00001	Cover - Blower Insulation.....	1
28	01-1M1795-00001	Insulation - Blower.....	1
29	01-1M7058-00002	Weldment - Blower Mount.....	1
30	01-1000V1-00028	Ring - Snap.....	1
31	01-1000V8-00058	Wheel - Blower (18 In. Dia.).....	1
32	01-1M5686-00207	Retainer - Pressure Panel Top.....	1
33	01-1M2572-00001	Screen - Pressure Panel.....	1
34	01-1M5686-00206	Retainer - Pressure Panel.....	2
35	01-1M5686-00205	Retainer - Pressure Panel.....	1
36	01-1M5686-00206	Retainer - Pressure Panel.....	2
37	01-100V17-00304	Kit - Stuffing Box.....	1
38	01-100V17-00281	Coupler - Reducer 3/8 to 1/4.....	1
39	01-100V16-00682	Gasket - Vent Duct (Sold Per Inch).....	AR
40	01-1A1828-00001	Kit - Thermocouple.....	1
41	01-100V17-00257	Coupling 1/4 NPT (Brass).....	1
42	01-1M7051-00002	Panel - Suction.....	1
43	01-1M5624-00001	Over Pressure Vent Assy.....	1
44	01-1M7066-00002	Duct - Vent.....	1
45	01-1M6814-00001	Duct Assy. (Incls. Items 46 & 47).....	1
46	01-1M6814-00101	Cover - Duct (Side).....	1
47	01-1M6814-00102	Cover - Duct (Top).....	1
48	01-1M7056-00002	Bell - Inlet.....	1
49	01-1M7060-00201	Ceiling Skin - Body (RH).....	1
50	01-1M7060-00202	Ceiling Skin - Channel Access.....	1
51	01-1M5868-00001	Power Vent - Filler Duct.....	1
52	01-1M6774-00001	Tube - Weldment Highlimit.....	1
53	01-1M6550-00101	Bracket - Vent Lid.....	1
54	01-1M1433-00001	Protector - Thermocouple.....	1
55	01-100V17-00279	Fitting 1/4 x 3/16.....	1

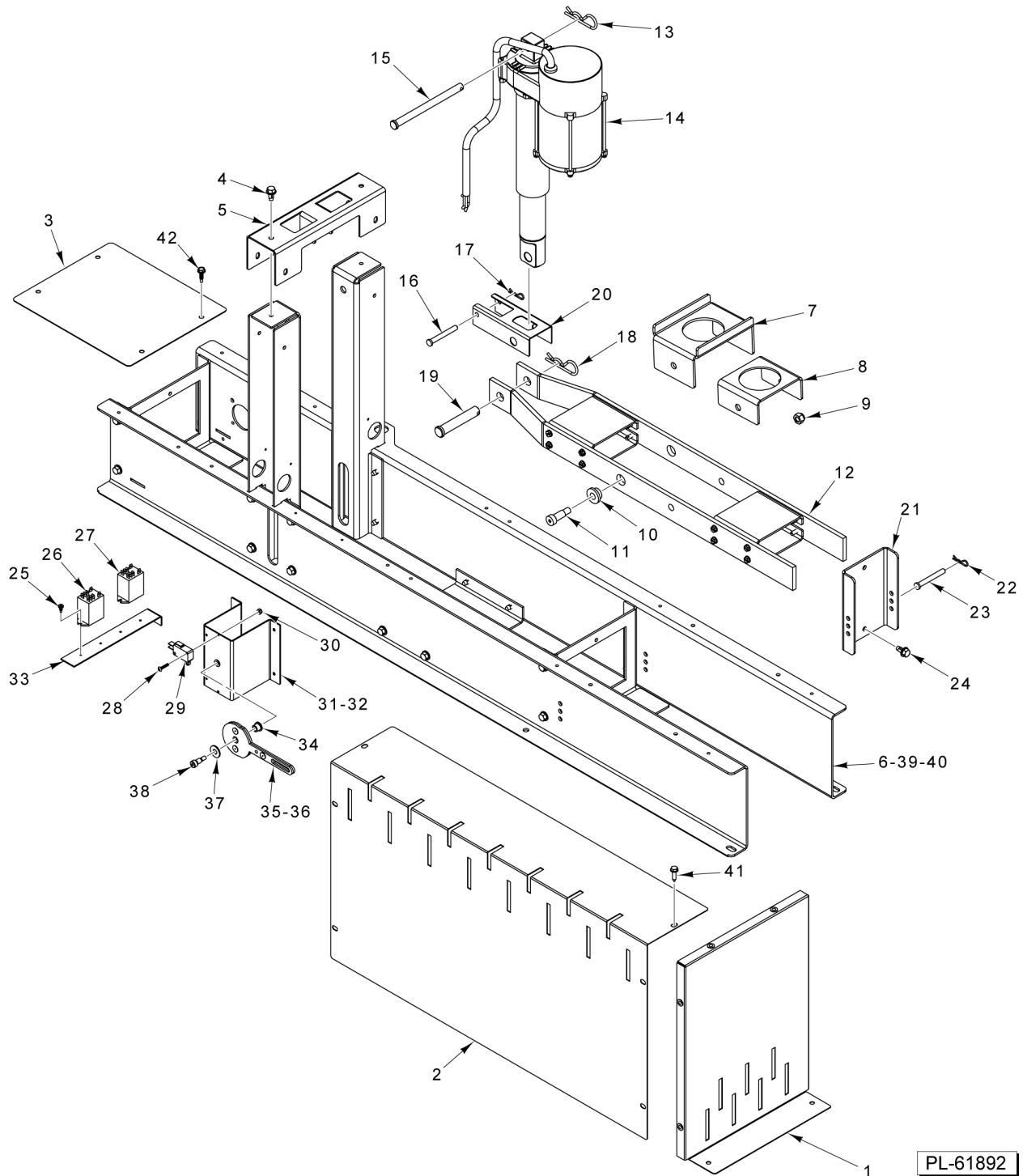
BLOWER, PANELS, AND VENTS

ILLUS.	PART NO.	NAME OF PART	AMT.
PL-61890			
56	01-1000V8-00179	Motor - Vent Gear (4 RPM, 1/250 HP).....	1
57	01-1M5525-00001	Box - Junction (Incls. Items 58 thru 63).....	1
58	01-1M5525-00100	Box - Junction.....	1
59	01-1000V4-00474	Screw 10-32 x 1/2 Hex Washer Hd. (Zinc).....	2
60	01-1M5525-00106	Cover - Junction Box.....	1
61	01-1000V4-00121	Insert - Threaded 10-32 Hex.....	2
62	01-1M7496-00001	Receptacle (Water Connection).....	1
63	01-1000V4-00620	Mach. Screw 4-40 x 3/8.....	2

NOTES

CEILING AND SHUTTERS

ILLUS.	PART NO.	NAME OF PART	AMT.
PL-61891			
1	01-1M2096-00002	Body - Pressure Panel Shutter Support (Incls. Item 2).....	1
2	01-1000V4-00122	Insert - Threaded 1/4-20.....	AR
3	01-1000V4-00433	Washer 1/4 In. (SST).....	AR
4	01-1000V4-00470	Lockwasher 1/4 In. (SST).....	AR
5	01-1000V4-00503	Mach. Screw 1/4-20 x 1/2 In. (SST).....	AR
6	01-1M5459-00001	Shutter - Pressure Panel 90 Deg.....	AR
7	01-1M5459-00002	Shutter - Pressure Panel 97 Deg.....	AR
8	01-1M5459-00003	Shutter - Pressure Panel 93 Deg.....	AR
9	01-1M5177-00001	Pressure Panel Assy. (60 Hz).....	1
10	01-1M5177-00003	Pressure Panel Assy. (50 Hz).....	1
11	01-1M7049-00004	Ceiling Assy. - False (RH).....	1
12	01-1M7049-00002	Ceiling Assy. - False (LH).....	1

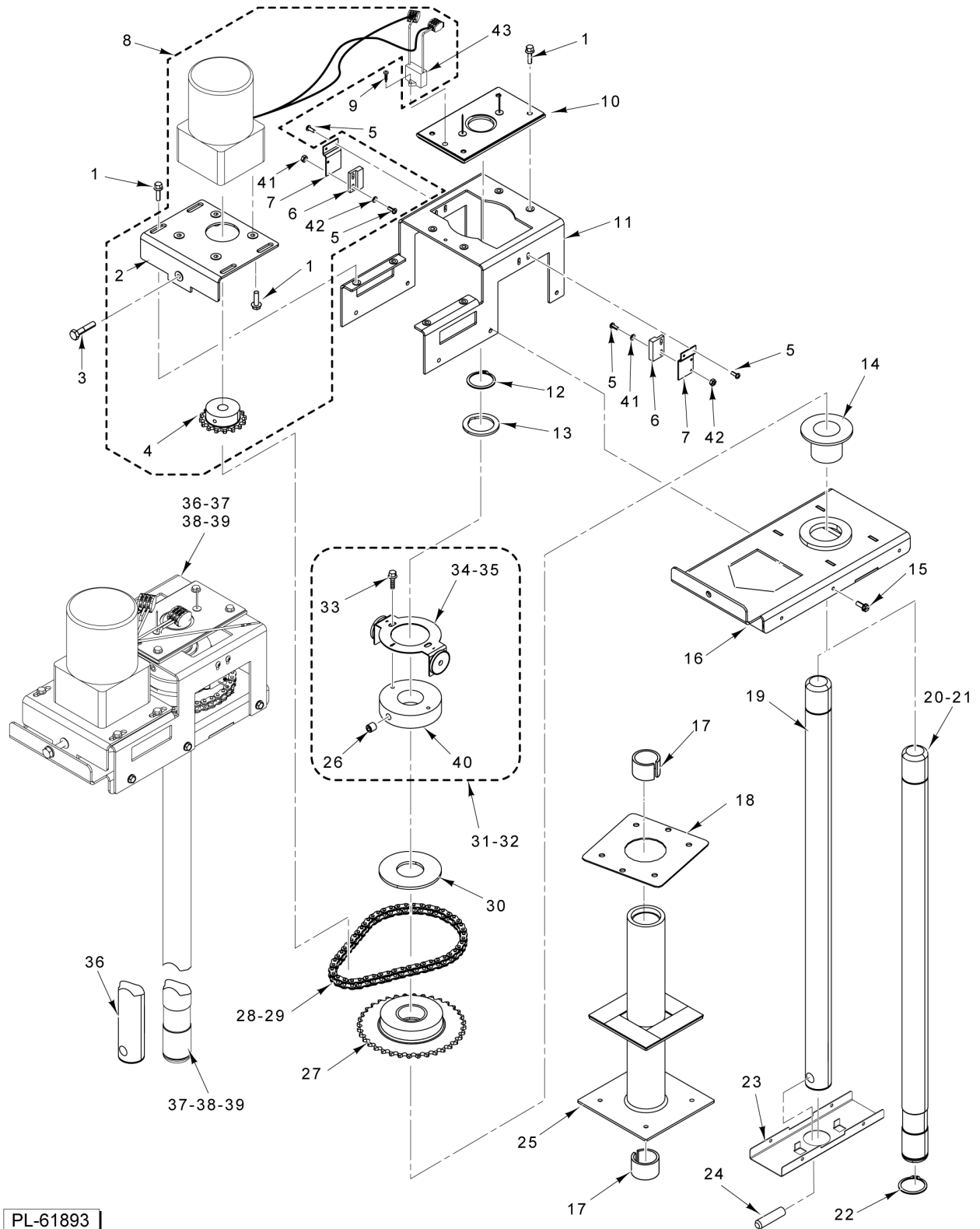


PL-61892

LIFTER

LIFTER

ILLUS. PL-61892	PART NO.	NAME OF PART	AMT.
1	01-1M6608-00001	Cover - Front/Back.....	2
2	01-1M6608-00002	Cover - Side.....	2
3	01-1M6608-00004	Cover - Front.....	1
4	01-1000V4-00436	Screw 1/4-20 x 1/2 Hex Hd.....	6
5	01-1M7544-00101	Bracket - Support.....	1
6	01-1M7544-00002	Body - Rack Lift Assy. (Incls. Items 4 & 5).....	1
7	01-1M6601-00103	Support - Rotator.....	1
8	01-1M6601-00104	Support - Rotator.....	1
9	01-1000V4-00380	Nut 5/16-18 NYLOCK.....	2
10	01-1000V0-00121	Bearing.....	2
11	01-1000V4-00379	Bolt - Shoulder.....	2
12	01-1M6601-00001	Lifting Arm Assy.....	1
13	01-1000V1-0086A	Pin - Cotter.....	1
14	01-1M7699-00001	Kit - Actuator W/ Bracket (Incls. Item 20).....	1
15	01-1000V1-00108	Pin 3/8 x 5 In.....	1
16	01-1000V1-00087	Pin - Clevis (1/4 x 2 In.).....	1
17	01-1000V1-0087A	Pin.....	1
18	01-1000V1-0086A	Pin - Cotter.....	1
19	01-1000V1-00109	Pin - Clevis (1/2 x 2-3/4 In.).....	1
20	01-1M7698-00001	Bracket - Lift Actuator.....	1
21	01-1M6600-00203	Bracket - Support.....	1
22	01-1000V1-0087A	Pin.....	2
23	01-1000V1-00087	Pin - Clevis (1/4 x 2 In.).....	2
24	01-1000V4-00436	Screw 1/4-20 x 1/2 Hex Hd.....	2
25	01-1000V4-00510	Screw Mach. - Pan Head (6-20 x 0.375).....	4
26	01-1000V6-00271	Relay - D.P.D.T. (1/2 Hp., 120 VAC).....	1
27	01-1000V6-00297	Relay - DPDT 1/2 HP. (24V Coil).....	1
28	01-1000V4-00461	Screw 4-40 x 5/8 (SST).....	4
29	01-1000V6-00343	Switch - Lever SPST.....	2
30	01-1000V4-00355	Nut.....	4
31	01-1M6603-00001	Bracket Assy. - Switch.....	1
32	01-1M6630-00002	Harness - Rack Lift.....	1
33	01-1M6600-00104	Bracket - Relay.....	1
34	01-1000V0-00139	Bearing - Flanged Sleeve.....	1
35	01-1M7551-00102	Cam - Lift Switch (B & C Style).....	AR
36	01-1M7551-00104	Cam - Lift Switch (A Style).....	AR
37	01-1000V4-00433	Washer 1/4 In. (SST).....	1
38	01-1000V4-00572	Shoulder Screw, #10-32 X 3/8 Thread Length, .25 DIA X 3/8 Shoulder Length.....	1
39	01-1M7551-00002	Rack Lift Assy. (B & C Style) (Incls. Items 6, 12 thru 25, 32 thru 35, 37 & 38).....	1
40	01-1M7551-00006	Rack Lift Assy. (A Style) (Incls. Items 6, 12 thru 25, 32 thru 34, & 36 thru 38).....	1
41	01-1000V4-00426	Screw #10-16 x 3/4 Hex Hd. (Drill Tip) (SST).....	AR
42	01-1000V4-00400	Cap Screw 10-32 x 3/4 Hex Hd. (SST).....	AR

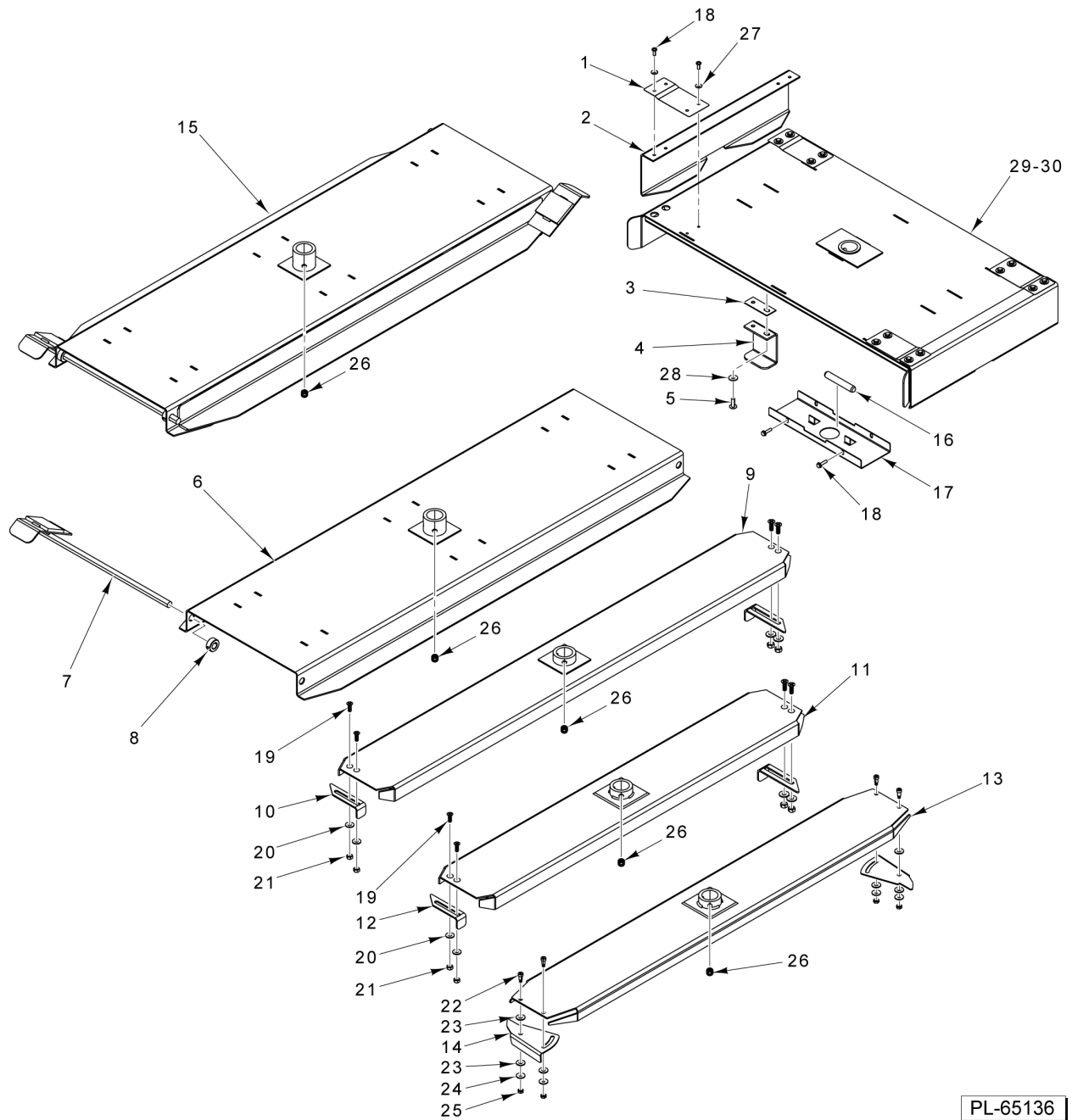


PL-61893

ROTATOR

ROTATOR

ILLUS. PL-61893	PART NO.	NAME OF PART	AMT.
1	01-1000V4-00284	Screw 10-32 x 3/4 Hex Washer Hd., Serrated Flange (SST) (Current Construction)	AR
2	01-1M6607-00002	Bracket - Motor Mounting (Current Construction)	1
3	01-1000V4-00564	Screw, Sheet Metal Hex Hd. W/ Washer 1/4-20 x 1 (SST)	1
4	01-1000V3-00105	Sprocket (17T) (Current Construction)	1
5	01-1000V4-00515	Screw - Sheet Metal, Pan Hd. 6-32 x 3/8 (Zinc)	8
6	01-1M5777-00101	Switch (Magnetic)	2
7	01-1M6604-00106	Bracket - Rotate Switch	2
8	01-1M7318-00001	Rotation Motor Assy. (Current Construction)	1
9	01-1000V4-00542	Screw - Phil. Hd. 8-18 x 3/4 (Zinc)	1
10	01-1M6606-00002	Shaft Alignment Assy.	1
11	01-1M6604-00201	Bracket - Mounting	1
12	01-1000V1-00085	Snap Ring	1
13	01-1M6704-00001	Shim - Carrier (Height Adjustment)	1
14	01-1000V0-00114	Bearing - Flange	1
15	01-1000V4-00385	Screw - Sheet Metal, Hex Hd. 10-16 x 3/4 (SST)	AR
16	01-1M6605-00001	Rotator - Lifter	1
17	01-1M7464-00001	Kit - Bearing (Shaft Housing) (Shaft Housing)	1
18	01-1M6715-00001	Clamp - Rotator Housing	1
19	01-1M6773-00101	Shaft - Rotator (A Style)	1
20	01-1M6604-00105	Shaft - Rotator (B Style)	1
21	01-1M6604-00305	Shaft - Rotator (C Style)	1
22	01-1M6772-00101	Plate - Cover, Pin	1
23	01-1M6942-00001	Pin - Locking (A Style Lift 1.25" Shaft)	1
24	01-1000V1-00085	Snap Ring	1
25	01-1M6662-00001	Housing - Shaft	1
26	01-1000V4-00161	Screw, Set - Allen (3/8-16)	1
27	01-1M6610-00001	Sprocket - Rotator	1
28	01-1000V3-0087A	Chain - Roller 20-1/8 In.	1
29	01-1000V3-00088	Link - Connecting	AR
30	01-1M6604-00104	Clutch - Slide	1
31	01-1M6629-00003	Magnet Switch Assy. (One Magnet) (A Style Double Rack) (C Style Single Rack) (Incls. Items 26, 33 thru 35, & 40)	1
32	01-1M6629-00004	Magnet Switch Assy. (Two Magnets) (B Style) (C Style Single Rack) (Incls. Items 26, 33 thru 35, & 40)	1
33	01-1000V4-00284	Screw 10-32 x 3/4 Hex Washer Hd., Serrated Flange (SST)	2
34	01-1M6880-00003	Pointer Assy. (One Magnet) (A Style Double Rack) (C Style Single Rack)	1
35	01-1M6880-00004	Pointer Assy. (Two Magnets) (B Style) (C Style Double Rack)	1
36	01-1M6604-00006	A-Lift Rotator Assy. (Incls. Items 1 thru 16, 19, 23, 24, & 26 thru 31)	1
37	01-1M6604-00001	B-Lift Rotator Assembly (Incls. Items 1 thru 16, 20, 22, 26 thru 30, & 32)	1
38	01-1M6604-00002	C-Lift Rotator Assy. (71" Rack Height) (Incls. Items 1 thru 16, 20, 22, 26 thru 30, & 32)	1
39	01-1M6604-00004	C-Lift Rotator Assy. (73" Rack Height) (Incls. Items 1 thru 16, 20, 22, 26 thru 30, & 32)	1
40	01-1M6604-00103	Collar, Set - Rotator	1
41	01-1000V4-00586	Nut	4
42	01-1000V4-00585	Flat Washer	4
43	01-1000V8-0177C	Capacitor, Motor Run - (4uF/250VAC)	1

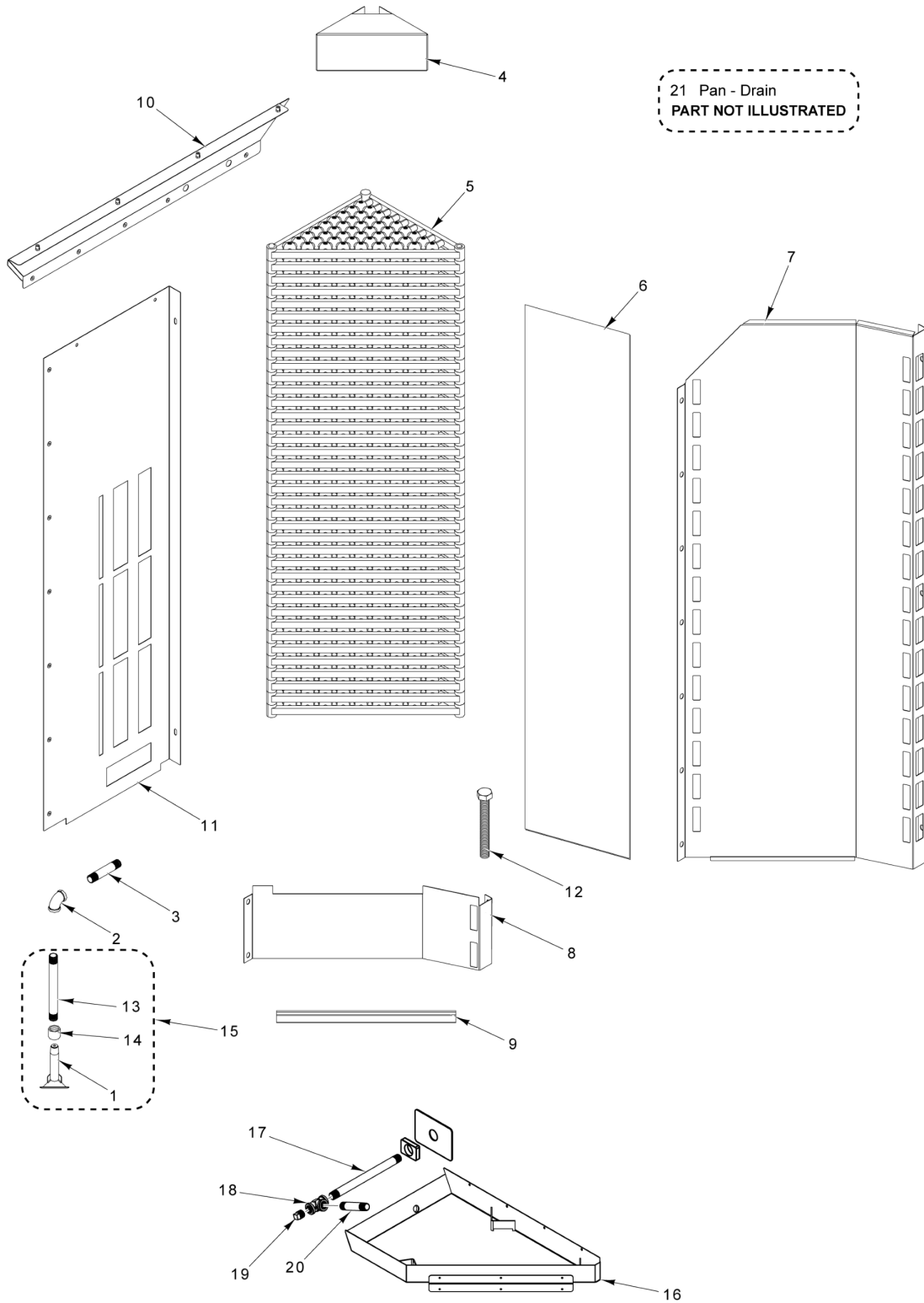


PL-65136

CARRIER

CARRIER

ILLUS. PL-61894	PART NO.	NAME OF PART	AMT.
1	01-1M5367-00001	Strap - Side Support.....	4
2	01-1M5368-00001	Channel - Side Hanger.....	2
3	01-1M5369-00002	Shim - Support.....	4
4	01-1M5366-00001	Channel - Support Hanger.....	2
5	01-1000V4-00534	Bolt 1/4-20 x 3/4 In.....	4
6	01-1M7630-00002	Carrier (B Style) (Double Rack) (Incls. Items 7, 8, & 26) (15.60 In. Wide).....	1
7	01-1M2580-00002	Stop - Rack Carrier (B Style Carrier).....	2
8	01-1000V1-00013	Collar - Set 1/2 In. Dia.....	4
9	01-1M6770-00003	Carrier (C Style) (42-1/2 In. Stops) (Incls. Items 10, 19 thru 21, & 26).....	1
10	01-1M4862-00101	Latch - Carrier.....	2
11	01-1M6770-00004	Carrier (C Style) (Double Rack) (33 In. Stops) (Incls. Items 12, 19 thru 21, & 26).....	1
12	01-1M4862-00101	Latch - Carrier.....	2
13	01-1M6770-00007	Carrier (C Style) (Panera) (Incls. Item 14, & 22 thru 26).....	1
14	01-1M4862-00701	Lock - Carrier (Double Models Only) (Panera Bread Only).....	2
15	01-1M7630-00004	Carrier (B Style W/Welded Extensions) (16.875 In. Wide) (Incls. Item 7 thru 8, & 26)	1
16	01-1M6942-00001	Pin - Locking (A Style Lift 1.25 " Shaft).....	1
17	01-1M6772-00101	Plate - Cover, Pin.....	1
18	01-1000V4-00284	Screw 10-32 x 3/4 Hex Washer Hd., Serrated Flange (SST).....	AR
19	01-1000V4-00074	Mach. Screw 1/4-20 x 3/4 Phil. Flat Hd.....	4
20	01-1000V4-00433	Washer 1/4 In. (SST).....	4
21	01-1000V4-00599	Nut 1/4 In. (SST) (Toplock - Vibration Resistant).....	4
22	01-1000V4-00281	Screw, Shoulder #10-32, 1/4 x 3/8 In. (SST).....	4
23	01-1000V4-00433	Washer 1/4 In. (SST).....	4
24	01-1000V4-00434	Washer - Flat #10 (SST).....	4
25	01-1000V4-00336	Nut #10-32 W/ Lockwasher (SST).....	4
26	01-1000V4-00654	Screw - Set 3/8-24 x 3/8 (Knurled Tip) (Knurled Tip).....	2
27	01-1000V4-00434	Washer - Flat #10 (SST).....	AR
28	01-1000V4-00433	Washer 1/4 In. (SST).....	4
29	01-1M6772-00001	Carrier (A Style) (Double Rack) (Incls. Items 1 thru 5, 16 thru 18, 27, 28, & 30).....	1
30	01-1000V4-00121	Insert - Threaded 10-32 Hex.....	16

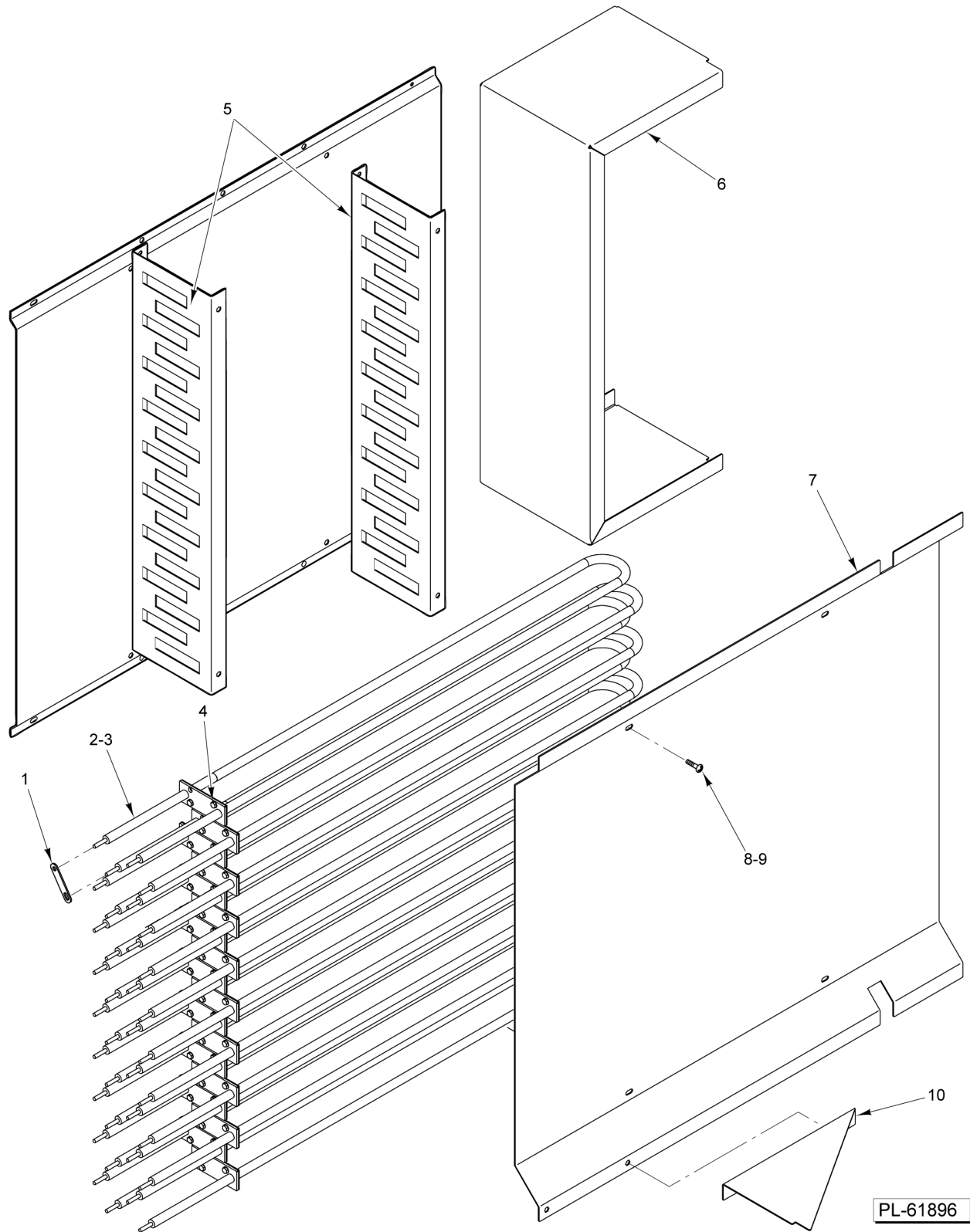


PL-61895

STEAMER ASSEMBLY

STEAMER ASSEMBLY

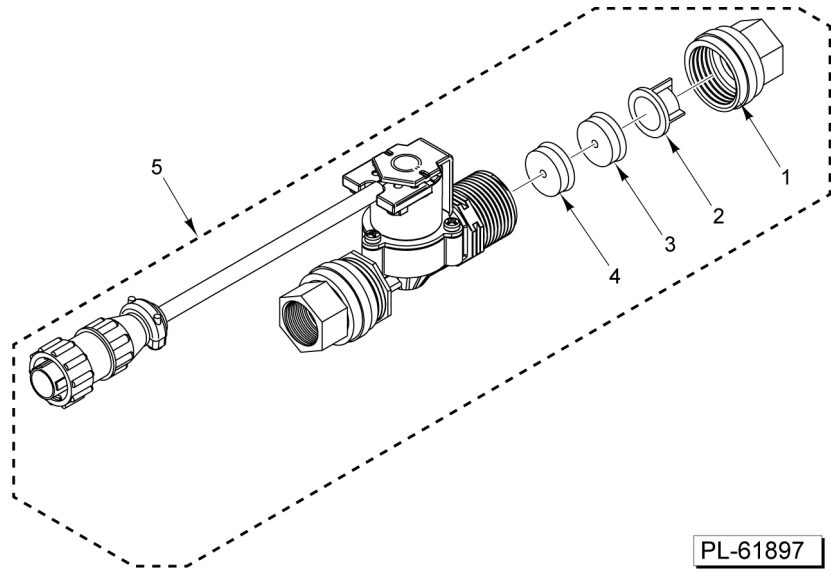
ILLUS. PL-61895	PART NO.	NAME OF PART	AMT.
1	01-1M7100-00001	Sprayer - Steam Manifold (Incls. Item 2).....	1
2	01-100V17-00347	Elbow 1/2 In. x 90 Deg. (SST).....	1
3	01-100V17-00534	Pipe 1/2 x 3-1/2 (SST).....	1
4	01-1M7065-00001	Angle, Steamer Box.....	1
5	01-100V16-00529	Casting - Steamer.....	AR
6	01-1M6325-00002	Sheet - Splash.....	1
7	01-1M7050-00201	Panel - Steamer Outer.....	1
8	01-1M7050-00202	Panel - Steamer Bottom.....	1
9	01-1M5065-00001	Bracket - Water Guide.....	AR
10	01-1M7052-00002	Panel - Suction Top.....	1
11	01-1M7053-00002	Panel - Steamer (Rear).....	1
12	01-1M2161-00001	Screw - Leveler.....	1
13	01-100V17-00850	Pipe - 1/2 x 15 In.....	1
14	01-100V17-00183	Coupler 1/2 In. (SST).....	1
15	01-1M7100-00005	Steam Manifold Assy. (28 Castings).....	1
16	01-1M7619-00002	Pan - Drain.....	1
17	01-1M7672-00002	Kit - Front Drain.....	1
18	01-100V17-00860	Tee 1/2 NPT (SST).....	1
19	01-100V17-00766	Plug - 1/2 NPT.....	1
20	01-100V17-00859	Pipe 1/2 NPT x 5 (SST).....	1
21	01-1M7106-00001	Pan - Drain (Incls. Items 1, 13, & 14).....	1



HEATING ELEMENTS

HEATING ELEMENTS

ILLUS.	PART NO.	NAME OF PART	AMT.
PL-61896			
1	01-1M5578-00001	Jumper - Heater.....	AR
2	01-100V10-0228A	Element - Heating (208 V., 2850 W., 3 Ph.).....	18
3	01-100V10-0228B	Element - Heating (240 V., 2850 W., 3 Ph.).....	18
4	01-1000V4-00426	Screw #10-16 x 3/4 Hex Hd. (Drill Tip) (SST).....	36
5	01-1M5411-00002	Channel - Element Support.....	2
6	01-1M5410-00001	Baffle - Rear Filler.....	1
7	01-1M5407-00002	Baffle - Side (RH).....	1
8	01-1000V4-00121	Insert - Threaded 10-32 Hex.....	8
9	01-1000V4-00400	Cap Screw 10-32 x 3/4 Hex Hd. (SST).....	6
10	01-1M5406-00001	Baffle - Corner Filler.....	1



PL-61897

EXTERIOR WATER SUPPLY

EXTERIOR WATER SUPPLY

ILLUS.	PART NO.	NAME OF PART	AMT.
PL-61897			
1	01-100V17-00830	Adapter - Hose to Pipe 3/4 GHTF x 1/2 NPTF.....	1
*2	01-100V17-00838	Filter - Solenoid Valve (5 GPM Without Restrictor).....	1
3	01-100V17-00840	Restrictor - Flow (White 3 GPM) (Double Rack Oven).....	1
4	01-100V17-00839	Restrictor - Flow (Brown 2 GPM) (Single Rack Oven).....	1
5	01-1M7494-00001	Kit - Water Solenoid (Incls. Items 1 thru 4).....	AR

* No Restrictor Used on Panera Bread Double Rack Ovens.

