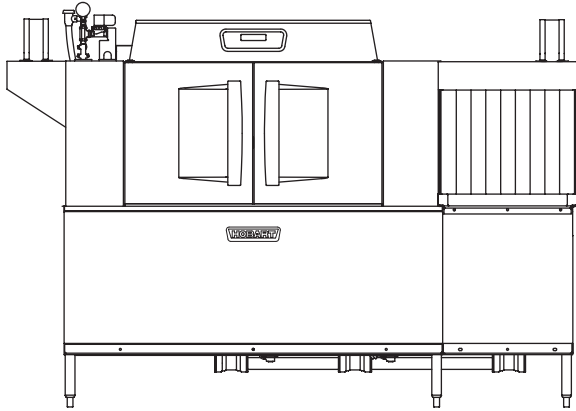




Project _____
 AIA # _____ SIS # _____
 Item # _____ Quantity _____ C.S.I. Section 114000



CLCS86eN-BAS ELECTRIC High Temperature Corner Scrapper Rack Conveyor Dishwashing Machine



STANDARD FEATURES

- + 342 racks per hour
- + 22" power scrapper plus separate wash and rinse tanks
- + Opti-Rinse™ system
- + Rapid return conveyor drive mechanism
- + Large double door opening for ease of cleaning
- + Doors are insulated & hinged with door interlock switches
- + 19.5" chamber height opening (accepts sheet pans)
- + Top mounted micro-processor control module
- + Energy saver mode (programmable auto-shut down)
- + Dirty water indicator
- + Manager activated low temperature alert
- + NSF rated configurable pot and pan dwell mode
- + Configurable "intelligent" delime notification
- + Service diagnostics
- + Self-aligning wash manifolds
- + Stainless steel anti-clogging wash arms
- + Removable pump intake screen
- + Stainless steel self-draining pump and impeller
- + Single, sloping scrap screen and deep scrap basket
- + Stainless panels enclose perimeter and bottom
- + Door actuated drain closure
- + Convertible hot water or low temp final rinse
- + Vent fan control
- + Booster heater control
- + ENERGY STAR® Certified

SPECIFIER STATEMENT

Specified dishwasher will be Hobart CLCS86eN Base electric tank heat model with corner scrapper and Opti-Rinse™. Includes 342 racks per hour capacity, 22" power scrapper, insulated ergonomic cabinet style doors, dirty water indicator, configurable "intelligent" de-lime notification, top mounted computer controls, and NSF approved pot and pan cycle mode. The wash tank utilizes durable precision pressure sensor monitors in lieu of conventional mechanical floats.

OPTIONS & ACCESSORIES (Available at extra cost)

- Standard, short, and extended stainless steel vent hoods
- Internal stainless steel pressure-less 30 kW booster heater field convertible to 15 kW (booster includes PRV)
- Direct drive unloader – adds 38" length. Reference spec F39520 for more details
- Side loader – SL23 adds 23" length, SL30 adds 30" length. Reference specs F40926 and F40927 for more details
- Blower-dryer – adds 33¾" to length. Reference spec F40252 for more details (ships separate from dishmachine, contact Hobart Service for installation)
- Drain water tempering kit (field installed)
- Flanged feet kit (requires two kits)
- Higher than standard chamber (24" opening)
- Table limit switch with 10' wire
- Correctional package (contact Hobart for details)
- Pressure regulator valve (PRV), for use with external booster
- Water shock absorber kit
- Factory-mounted circuit breakers (contact Hobart for details)
- Common electrical connection (see page 4)

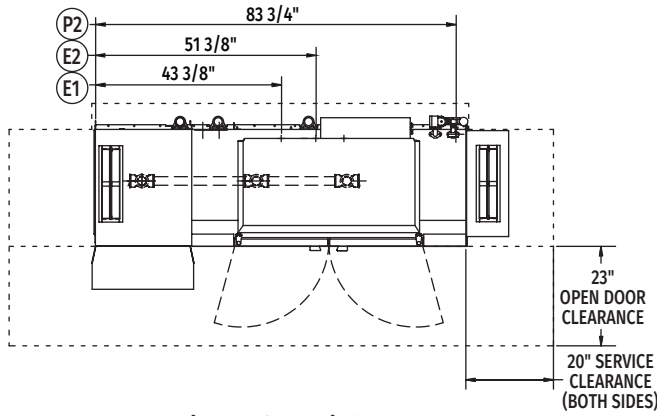
CLEAN SERIES – CLCS86eN-BAS ELECTRIC

Approved by _____ Date _____ Approved by _____ Date _____

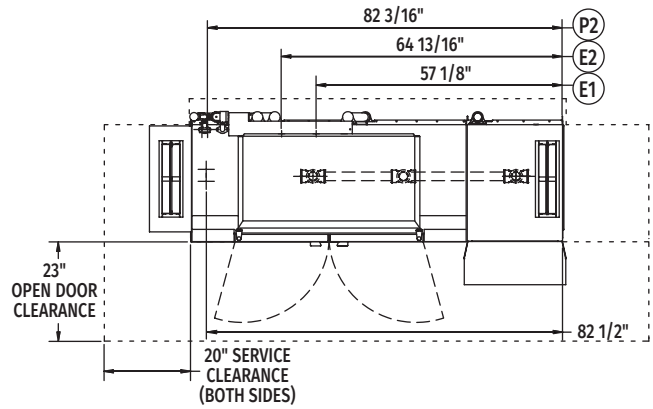


CLCS86eN-BAS ELECTRIC

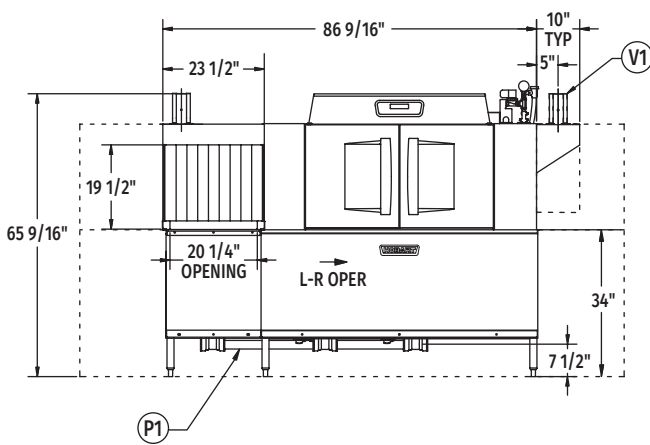
High Temperature Corner Scrapper Rack Conveyor Dishwashing Machine



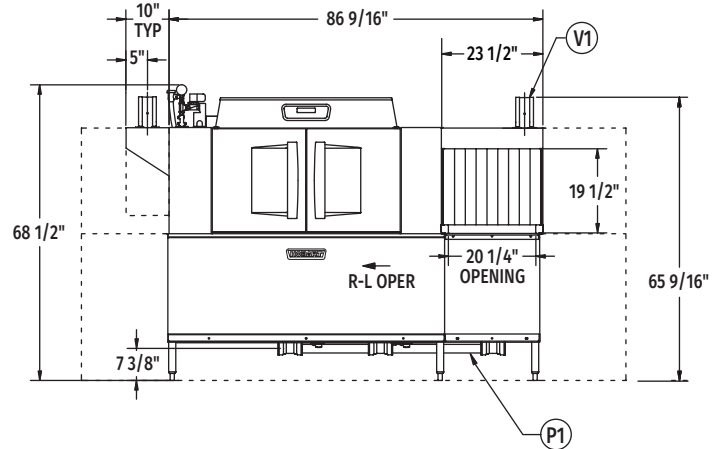
Top View Left to Right



Top View Right to Left



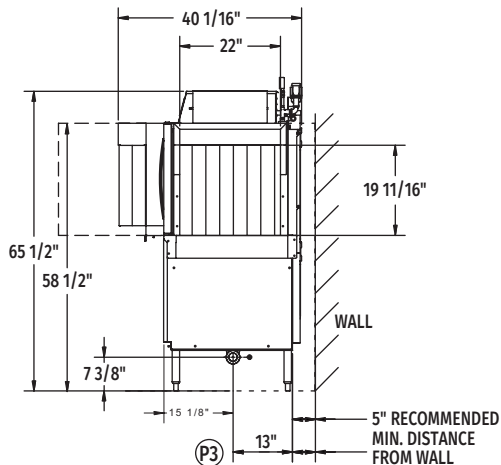
Front View Left to Right



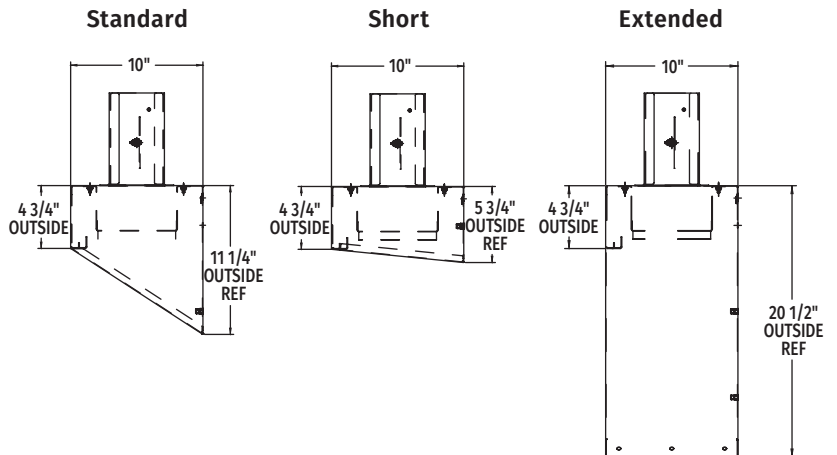
Front View Right to Left

VENT HOOD OPTIONS

(Adjustable, vent stack can be adjusted 1" to either side)



Side View



Reference page 4
for installation drawings

MODEL: CLCS86eN BASE
L-R OPERATION
D-974817
REV B

MODEL: CLCS86eN BASE
R-L OPERATION
D-974816
REV B



CLCS86eN-BAS ELECTRIC

High Temperature Corner Scrapper Rack Conveyor Dishwashing Machine

LEGEND

| Electrical Connections | |
|---------------------------------------------------------------------------------------------|-----------------------------------------------------------------------------------------------------------------------------------------------------------------------|
| E1 | Motors, controls, and electric tank heat 1-1/4" or 2" conduit, 63-3/4" AFF. |
| E2 | Internal electric booster, 1-1/4" or 2" conduit, 63-3/4" AFF. |
| NOTE: Common electrical connection (single point) available, see page 4 for details. | |
| Plumbing Connections | |
| P1 | Drain. May be drained to either side of valve, plug opposite side 2" FPT. Recommend a floor drain minimum of 12" from machine for access and maintenance. 7-3/8" AFF. |
| P2 | Hot water. 1/2" FPT connection. 1/2", 11-3/16" AFF. See plumbing notes for required temperatures. |
| P3 | Optional cold water connection for drain water tempering 1/2" FPT, cold water temperature 80°F, maximum 7-3/8" AFF. |
| Vent Connections | |
| V1 | Optional vent hoods, 4" x 16" vent stack with damper. |

SPECIFICATIONS

Capacities

| | |
|--------------------------------------------|-----|
| Racks per Hour (NSF rated) | 342 |
| Wash Tank (U.S. gallons) | 23 |
| Rinse Tank (U.S. gallons) | 22 |
| Power Scrapper (U.S. gallons) | 23 |
| Conveyor Speed (feet per minute) | 9.5 |

Motor Horsepower

| | |
|--------------------------|-----|
| Drive | 1/6 |
| Wash | .2 |
| Power Scrapper | .2 |
| Rinse | .2 |

Water Consumption

| | |
|---------------------------------------------------------|------|
| U.S. Gallons per Hour (maximum use at 20 PSI) | 132 |
| U.S. Gallons per Rack | 0.39 |
| Peak Drain Flow (U.S. gallons per minute) | 38 |

Heating

| | |
|-------------------------------------------------------------------|----|
| Tank Heat, Electric (kW) | 25 |
| Optional Electric Booster (built-in) (kW for 40°F rise) | 15 |
| Optional Electric Booster (built-in) (kW for 70°F rise) | 30 |

Venting

| | |
|------------------------------------|-----|
| Load End (minimum CFM) | 200 |
| Unload End (minimum CFM) | 400 |

Shipping Weight (approximate)991 lbs.

Crated Dimensions.96"L x 38"W x 78"H

| E1 | Electrical Connection (3 PH only) Motor, Power Wash Tank, Electric Rinse Tank Heat, Electric Wash Tank Heat and Final Rinse | | | |
|----------------------------------------------------------------------------------------------|--------------------------------------------------------------------------------------------------------------------------------|------------|---------------------------------|---------------------------|
| | Voltage | Rated Amps | Minimum Supply Circuit Ampacity | Maximum Protective Device |
| | 208/60/3 | 96.2 | 125 | 125 |
| | 240/60/3 | 92.0 | 125 | 125 |
| | 480/60/3 | 47.6 | 60 | 60 |
| | 600/60/3 | 34.5 | 50 | 50 |
| NOTE: Electric tank heat can be split from motors & controls, see page 4 for details. | | | | |

WARNING: Plumbing and electrical connections should be made by qualified personnel who will observe all the applicable plumbing, sanitary, safety codes and National Electrical Code.

Plumbing Notes: Minimum incoming water temperatures: 110°F for 30kW internal booster, 140°F for 15kW field converted internal booster, 180°F without internal booster. Building flowing water pressure to dish machine is 20 PSI, (+/- 5 PSI). For non-booster machines, a PRV with internal expansion bypass is required.

| E2 | Booster Heat 30 kW (Standard) Minimum 110°F Incoming Water | | | |
|----|---------------------------------------------------------------|------------|---------------------------------|---------------------------|
| | Voltage | Rated Amps | Minimum Supply Circuit Ampacity | Maximum Protective Device |
| | 208/60/3 | 83.9 | 90 | 90 |
| | 240/60/3 | 80.2 | 90 | 90 |
| | 480/60/3 | 40.1 | 50 | 50 |
| | 600/60/3 | 33.7 | 40 | 40 |

| E2 | Booster Heat 15 kW (Field Convertible) Minimum 140°F Incoming Water | | | |
|----|------------------------------------------------------------------------|------------|---------------------------------|---------------------------|
| | Voltage | Rated Amps | Minimum Supply Circuit Ampacity | Maximum Protective Device |
| | 208/60/3 | 45.0 | 60 | 60 |
| | 240/60/3 | 40.1 | 50 | 50 |
| | 480/60/3 | 20.0 | 25 | 25 |
| | 600/60/3 | 13.5 | 20 | 20 |

| CLCS86eN-BAS Electric Heat Dissipation | | |
|----------------------------------------|---------|----------|
| Booster | BTU/HR. | |
| | Latent | Sensible |
| Without Booster | 25,900 | 11,100 |
| 15kW Booster | 39,400 | 16,900 |
| 30kW Booster | 53,000 | 22,700 |



CLCS86eN-BAS ELECTRIC

High Temperature Corner Scrapper Rack Conveyor Dishwashing Machine

COMMON ELECTRICAL CONNECTION (SINGLE POINT) – CONTACT FACTORY FOR ADDITIONAL INFORMATION

| Voltage | MACHINE AND 15kW BOOSTER | | | MACHINE AND 30kW BOOSTER | | |
|----------|--------------------------|---------------------------------|---------------------------|--------------------------|---------------------------------|---------------------------|
| | Rated Amps | Minimum Supply Circuit Ampacity | Maximum Protective Device | Rated Amps | Minimum Supply Circuit Ampacity | Maximum Protective Device |
| 208/60/3 | 141 | 175 | 175 | 180.1 | 200 | 200 |
| 240/60/3 | 132 | 150 | 150 | 172 | 200 | 200 |
| 480/60/3 | 68 | 80 | 80 | 88 | 100 | 100 |
| 600/60/3 | 48 | 60 | 60 | 68.2 | 90 | 90 |

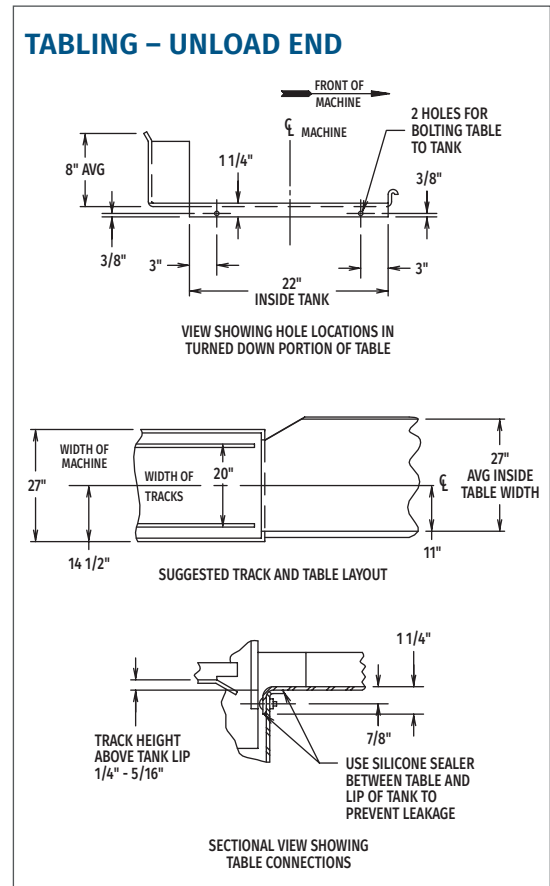
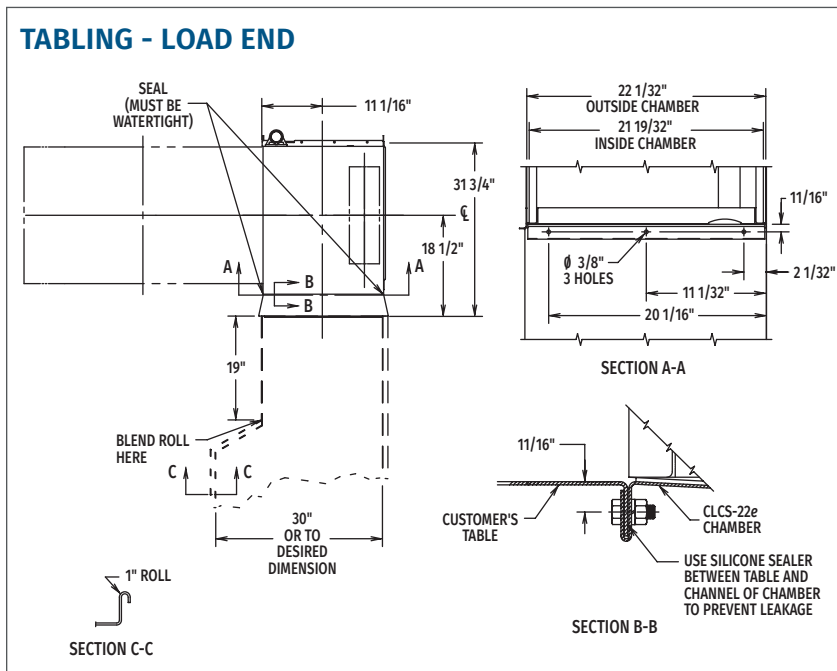
FIELD CONVERTIBLE SERVICE CONNECTIONS

At time of installation, service connections for motors, controls, and electric tank heat can be split as necessary for installation.

| Separate Service Connection for Electric Heat | | | |
|-----------------------------------------------|------------|---------------------------------|---------------------------|
| Voltage | Rated Amps | Minimum Supply Circuit Ampacity | Maximum Protective Device |
| 208/60/3 | 45.0 | 60 | 60 |
| 240/60/3 | 43.0 | 60 | 60 |
| 480/60/3 | 22.0 | 30 | 30 |
| 600/60/3 | 14.4 | 20 | 20 |

| Separate Service Connection for Motors & Controls | | | |
|---------------------------------------------------|------------|---------------------------------|---------------------------|
| Voltage | Rated Amps | Minimum Supply Circuit Ampacity | Maximum Protective Device |
| 208/60/3 | 15.6 | 20 | 20 |
| 240/60/3 | 15.1 | 20 | 20 |
| 480/60/3 | 9.1 | 20 | 20 |
| 600/60/3 | 10.5 | 15 | 15 |

| Separate Service Connection for Electric Rinse Tank Heat | | | |
|----------------------------------------------------------|------------|---------------------------------|---------------------------|
| Voltage | Rated Amps | Minimum Supply Circuit Ampacity | Maximum Protective Device |
| 208/60/3 | 30 | 40 | 40 |
| 240/60/3 | 28.6 | 40 | 40 |
| 480/60/3 | 14.3 | 20 | 20 |
| 600/60/3 | 9.6 | 15 | 15 |



As continued product improvement is a policy of Hobart, specifications are subject to change without notice.