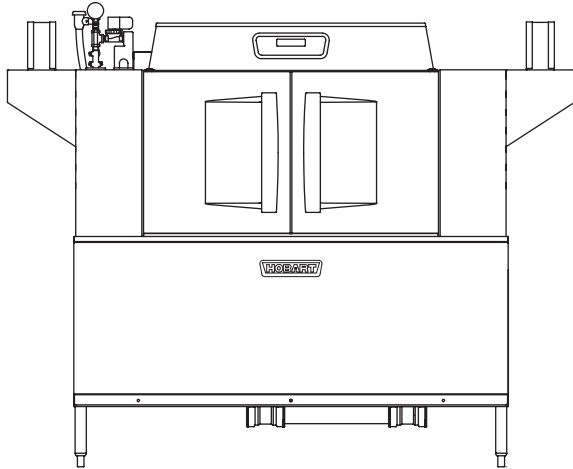




Project \_\_\_\_\_  
 AIA # \_\_\_\_\_ SIS # \_\_\_\_\_  
 Item # \_\_\_\_\_ Quantity \_\_\_\_\_ C.S.I. Section 114000



## CL64eN-BAS STEAM High Temperature Rack Conveyor Dishwashing Machine



### SPECIFIER STATEMENT

Specified dishwasher will be Hobart CL64eN Base steam tank heat model with Opti-Rinse™. Includes 342 racks per hour capacity, dirty water indicator, configurable “intelligent” de-lime notification, top mounted computer controls, and NSF approved pot and pan cycle mode. The wash tank utilizes durable precision pressure sensor monitors in lieu of conventional mechanical floats. The 19.5" standard chamber height will accommodate up to (6) standard sheet pans at a time on an open-end sheet pan rack.

### STANDARD FEATURES

- + 342 racks per hour
- + Opti-Rinse™ system
- + Rapid return conveyor drive mechanism
- + Large double door opening for ease of cleaning
- + Doors are insulated & hinged with door interlock switches
- + 19.5" chamber height opening (accepts sheet pans)
- + Top mounted micro-processor control module
- + Energy saver mode (programmable auto-shut down)
- + Dirty water indicator
- + Manager activated low temperature alert
- + NSF rated configurable pot and pan dwell mode
- + Configurable “intelligent” delime notification
- + Service diagnostics
- + Self-aligning wash manifolds
- + Stainless steel anti-clogging wash arms
- + Stainless steel self-draining pump and impeller
- + Single, sloping scrap screen and deep scrap basket
- + Stainless panels enclose perimeter and bottom
- + Door actuated drain closure
- + Convertible hot water or low temp final rinse
- + Vent fan control
- + Booster heater control

### OPTIONS & ACCESSORIES (Available at extra cost)

- Standard, short, and extended stainless steel vent hoods
- Internal stainless steel pressure-less 30 kW booster heater field convertible to 15 kW (booster includes PRV)
  - + Dual point electrical connection standard on 208/60/3 and 240/60/3 voltage machines, when equipped with internal electric booster; single point kits available (see page 3)
  - + Single point connection standard on 480/60/3 voltage machines, when equipped with internal electric booster
- External #150 steam booster heater
- Direct drive unloader – adds 38" length; reference spec F39520 for more details
- Side loader – SL23 adds 23" length, SL30 adds 30" length; rReference specs F40926 and F40927 for more details
- Blower-dryer – adds 33¼" to length. Reference spec F40252 for more details (ships separate from dishmachine, contact Hobart Service for installation)
- Drain water tempering kit (field installed)
- Flanged feet kit (requires two kits)
- Higher than standard chamber (24" opening)
- Table limit switch with 10' wire
- Correctional package (contact Hobart for details)
- Pressure regulator valve (PRV), for use with external booster
- Water shock absorber kit
- Factory-mounted circuit breakers (contact Hobart for details)
- Field installed single point kits available for 208/60/3 and 240/60/3 machines when equipped with internal booster

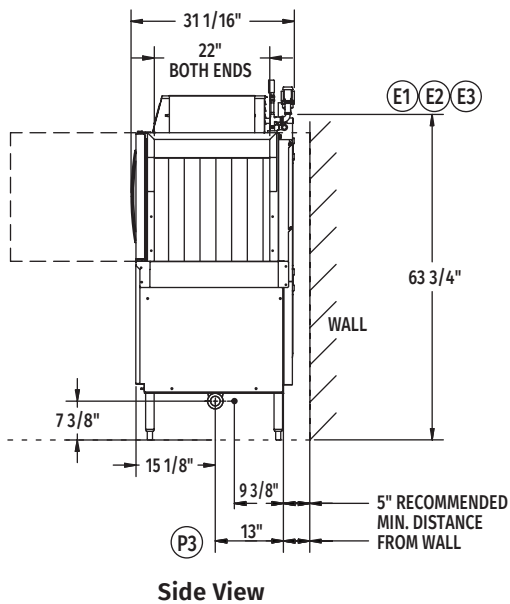
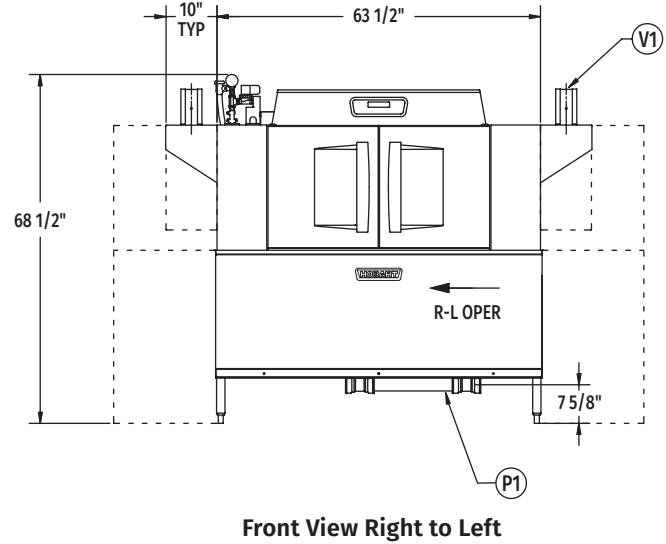
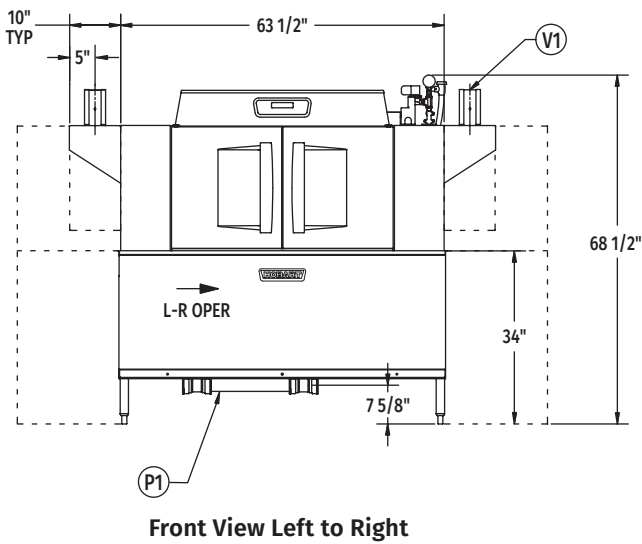
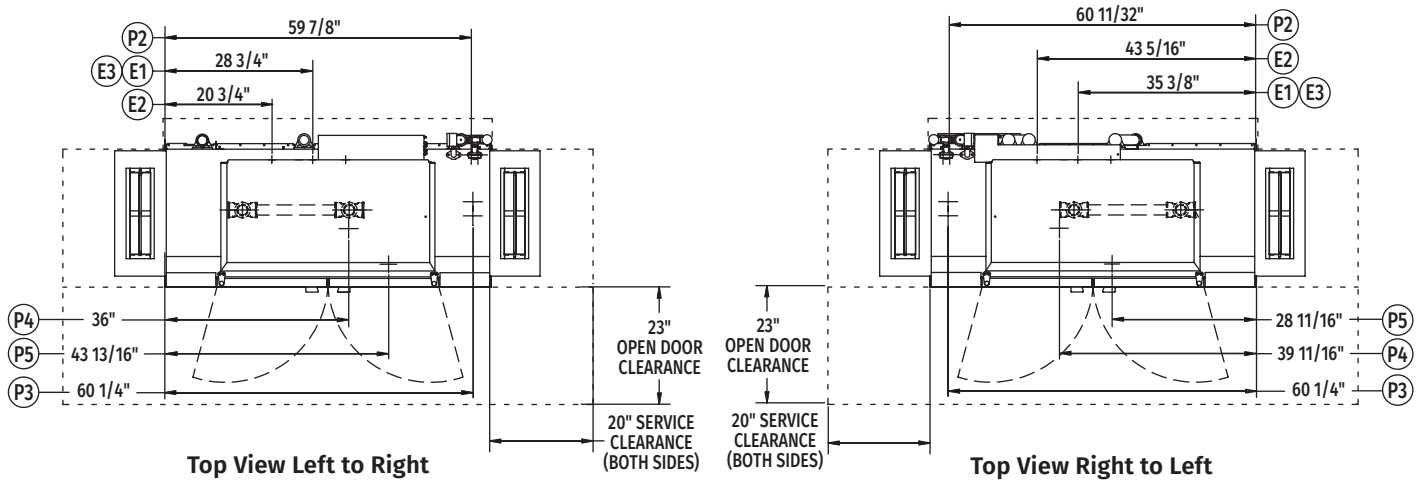
CLEAN SERIES – CL64eN-BAS STEAM

Approved by \_\_\_\_\_ Date \_\_\_\_\_ Approved by \_\_\_\_\_ Date \_\_\_\_\_

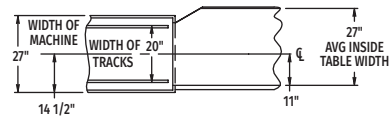


# CL64eN-BAS STEAM

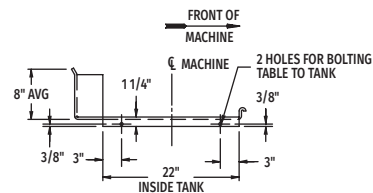
## High Temperature Rack Conveyor Dishwashing Machine



Tabling Connection: 64" inside tank (at table connection)



Suggested Track and Table Layout



View Showing Hole Locations in Turned Down Portion of Table

MODEL: CL64eN BASE  
L-R OPERATION  
D-974805  
REV B

MODEL: CL64eN BASE  
R-L OPERATION  
D-974804  
REV B



# CL64eN-BAS STEAM

## High Temperature Rack Conveyor Dishwashing Machine

### LEGEND

| Electrical Connections  |   |
|---|---|
| Required when machine equipped with <b>SINGLE POINT ELECTRICAL CONNECTION</b> |   |
| E1  | Motors, controls AND 30kW booster heater – multiple knockouts provided, 63-3/4" AFF.  |
| Required when machine equipped with <b>DUAL POINT ELECTRICAL CONNECTION</b>   |   |
| E2  | Motors and controls – multiple knockouts provided, 63-3/4" AFF.   |
| E3  | Internal 30kW booster heater – multiple knockouts provided, 63-3/4" AFF.  |
| Multiple knockouts provided for 2", 1" and 1/2" trade size conduits.          |   |
| Plumbing Connections  |   |
| P1  | Drain. May be drained to either side of valve, plug opposite side 2" FPT. Recommend a floor drain minimum of 12" from machine for access and maintenance. 7-3/8" AFF.       |
| P2  | Hot water. 1/2" FPT connection. 1/2", 11-3/16" AFF. See plumbing notes for required temperatures.   |
| P3  | Optional cold water connection for drain water tempering 1/2" FPT, cold water temperature 80°F, maximum 7-3/8" AFF.   |
| Steam Connections   |   |
| P4  | Steam coils: 10 to 50 PSI flowing, 3/4" FPT, 11-18" AFF.  |
| P5  | Condensate return: A 10 PSI minimum differential pressure across the steam trap must be maintained. 3/4" FPT, 11-1/8" AFF one connection. (One bucket type trap furnished). |
| Vent Connections  |   |
| V1  | Optional vent hoods, 4" x 16" vent stack with damper.   |

### SPECIFICATIONS

#### Capacities

|                                  |     |
|----------------------------------|-----|
| Racks Per Hour (NSF rated)       | 342 |
| Wash Tank (U.S. gallons)         | 23  |
| Rinse Tank (U.S. gallons)        | 22  |
| Conveyor Speed (feet per minute) | 9.5 |

#### Motor Horsepower

|       |     |
|-------|-----|
| Drive | 1/6 |
| Wash  | 2   |
| Rinse | 2   |

#### Water Consumption

|   |      |
|---|------|
| U.S. Gallons per Hour (maximum use at 20 PSI) | 132  |
| U.S. Gallons per Rack                         | 0.39 |
| Peak Drain Flow (U.S. gallons per minute)     | 38   |

#### Heating

|   |     |
|---|-----|
| Tank Heat, steam coils (pounds per hour)  | 130 |
| Optional Electric Booster (built-in) (kW for 40°F rise)                                       | 15  |
| Optional Electric Booster (built-in) (kW for 70°F rise)                                       | 30  |
| Optional Steam Booster (external) (pounds per hour)   | 60  |
| (If used on 20 PSI steam, 20 PSI water flowing, 130°F entering water raised to 180°F minimum) |     |

#### Venting

|                          |     |
|--------------------------|-----|
| Load End (minimum CFM)   | 200 |
| Unload End (minimum CFM) | 400 |

**Shipping Weight (approximate)** 840 lbs.

**Crated Dimensions** 74"L x 38"W x 78"H

| E1       | Single Point Electrical Connection with internal 30 kW Booster Heater |   |  |
|----------|---|---|--|
| Voltage  | (E1) Motors, Controls and 30kW Booster Heater                         |   | Single Point Service Connection                                  |
|          | Rated Amps  | Minimum Supply Circuit Ampacity / Maximum Protective Device |  |
| 208/60/3 | 100.5   | 125   | Field Installed <b>SGLPT-KIT2-CLE</b> required, order separately |
| 240/60/3 | 96.8  | 125   | Field Installed <b>SGLPT-KIT2-CLE</b> required, order separately |
| 480/60/3 | 50.5  | 70  | Ships Standard, Factory Installed                                |

| E2       | Dual Point Electrical Connection with Internal 30 kW Booster Heater                            |   |                          |   |                               |
|----------|--|---|--------------------------|---|-------------------------------|
| E3       | (For machines without internal booster heater, refer to E2, Motors & Controls connection only) |   |                          |   |                               |
| Voltage  | (E2) Motors and Controls   |   | (E3) 30kW Booster Heater |   | Dual Point Service Connection |
|          | Rated Amps   | Minimum Supply Circuit Ampacity / Maximum Protective Device | Rated Amps               | Minimum Supply Circuit Ampacity / Maximum Protective Device |                               |
| 208/60/3 | 16.6   | 20  | 83.9                     | 90  | Dual Point Ships Standard     |
| 240/60/3 | 16.6   | 20  | 80.2                     | 90  | Dual Point Ships Standard     |
| 480/60/3 | 9.4  | 15  | 40.1                     | 50  | Field Convertible             |



# CL64eN-BAS STEAM

## High Temperature Rack Conveyor Dishwashing Machine

**WARNING:** Plumbing and electrical connections should be made by qualified personnel who will observe all the applicable plumbing, sanitary, safety codes and National Electrical Code.

**Plumbing Notes:** Minimum incoming water temperatures: 110°F for 30kW internal booster, 140°F for 15kW field converted internal booster, 180°F without internal booster. Building flowing water pressure to dish machine is 20 PSI, (+/- 5 PSI). For non-booster machines, a PRV with internal expansion bypass is required. When ordered as an accessory, ½" brass regulator must be installed before the booster. Water temperature to the regulator must not exceed 140°F.

Recommended water hardness to be 3 grains or less for best results.

**Steam Heat Only:** Flowing steam pressures above 50 PSI must have a pressure regulator (by others) installed in the steam line.

Shut off valve must be supplied (by others) in the steam line to the dish machine.

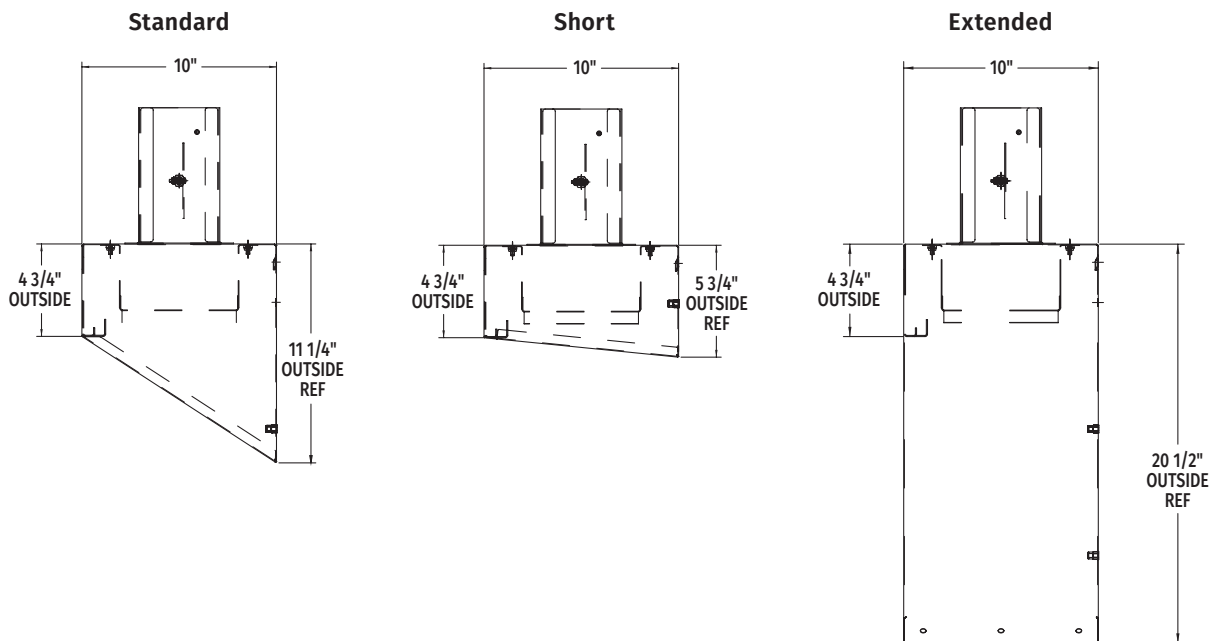
**Electrical Note:** Dishmachine not provided with internal GFCI protection.

| CL64eN-BAS Steam Heat Dissipation |         |          |
|-----------------------------------|---------|----------|
| Booster                           | BTU/HR. |          |
|                                   | Latent  | Sensible |
| Without Booster                   | 35,600  | 15,300   |
| 15kW Booster                      | 49,200  | 21,100   |
| 30kW Booster                      | 62,700  | 26,900   |

**NOTE:** 30kW Booster Heater field convertible to 15kW when 140°F incoming water provided. (Conversion instructions located in machine control box. Contact factory for 15kW booster amperage ratings.)

**NOTE:** Additional CLeN Voltages and Amperages are available, see document F40972.

### VENT HOOD OPTIONS (Adjustable, vent stack can be adjusted 1" to either side)



As continued product improvement is a policy of Hobart, specifications are subject to change without notice.