



Project \_\_\_\_\_  
 AIA # \_\_\_\_\_ SIS # \_\_\_\_\_  
 Item # \_\_\_\_\_ Quantity \_\_\_\_\_ C.S.I. Section 114000



## FT1000iLT/FT1000SiLT

### Low Temp Chemical Industrial Conveyorized Washer



Complies with EPA Reduction of Lead in Drinking Water Act 2014

Meets requirements of ASSE Standard No. 1004

### SPECIFIER STATEMENT

The specified machine shall be a Hobart flight type dish machine, 150gph final rinse, with chemical rinse, hinged and insulated doors, 30" wide conveyor belt, removable wash arm caps, micro-processor controls and a high pressure blow off dryer system.

### DIRECTION OF OPERATION

- Right to Left
- Left to Right

### VOLTAGE

- 208/60/3
- 240/60/3
- 480/60/3
- 600/60/3
- Other voltages available – consult factory

### MODELS

- FT1000iLT – Conveyorized Washer
- FT1000SiLT – Conveyorized Washer

### STANDARD FEATURES

- + Rinse system
- + Water usage 150 gph
- + Hinged load and unload panels
- + Digital controls with machine diagnostics
- + Low temperature alert
- + 31" access on prewash and power wash; 20" access on rinse chamber
- + Recessed start and stop switches at both ends, front and rear
- + Doors open indicator
- + Drains open indicator
- + Door interlocks
- + 4 H.P. prewash and wash pump motors, all TEFC
- + Side wash
- + Easy to remove and clean stainless steel scrap pans and baskets
- + 30"W x 22"H tunnel opening
- + Chemical rinse
- + Front and rear panels
- + Variable speed conveyor, 4.0 to 8.5 FPM
- + Stainless steel conveyor sprockets at both ends

### OPTIONS (Available at extra cost)

- Electric tank heat
- Electric booster heater
- Power rinse chamber (FT1000iLT model)
- Additional wash tank chamber
- Heated blower dryer chamber
- High pressure blow-off
- 6" higher than standard chamber
- Circuit breakers
- Custom machine lengths available, consult factory
- Flanged feet
- Water hammer arrestor/PRV (installed by others)
- Drain water tempering kit (installed by others)
- Consult factory for custom options

FT1000iLT/FT1000SiLT LOW TEMP CHEMICAL INDUSTRIAL CONVEYORIZED WASHER

Approved by \_\_\_\_\_ Date \_\_\_\_\_ Approved by \_\_\_\_\_ Date \_\_\_\_\_



# FT1000iLT/FT1000SiLT

## Low Temp Chemical Industrial Conveyorized Washer

### DESIGN:

Fully automatic, conveyorized tunnel washer consisting of the following sections: load, power recirculating prewash, power wash, optional power rinse, chemical rinse, high pressure blow off and blower dryer. Included between each section will be a flexible plastic strip curtain to control overspray.

### CONSTRUCTION:

Stainless steel tank and chambers with No. 3 polish on appearance surfaces. Frame, legs and feet to be constructed of stainless steel. Inspection doors to be chamber width.

### PUMPS:

Recirculating stainless steel pumps with stainless steel impellers. Pump housing has easy to remove coverplate for access to impeller. Wash pumps are self-draining.

### MOTORS:

Totally enclosed fan cooled (TEFC) design with overload protection. Pump motors to be 4 H.P. for prewash and wash, 3½ H.P. for power rinse, and conveyor motor to be ½ H.P. Available in electrical specifications of 208/60/3, 240/60/3, 480/60/3 and 600/60/3.

### CONTROLS:

A stainless steel control center with electronic digital controls mounted at eye level. Power "On/Off" and "Start/Stop" switches integrated into key pad. Digital display indicates door(s) open, low temperature alert, tanks/final rinse temperatures and other pertinent operating data. Additional "Start/Stop" switches are located at each end of machine. Conveyor speed button included on the control center to provide for adjustable speed conveyor.

### RECIRCULATING PREWASH SECTION:

Prewash compartment is fitted with upper and lower wash arms. Large removable one piece perforated stainless steel screen sloped downward to deep stainless steel scrap basket.

### VENT:

Direct vent connection.

### TANK HEAT:

Power wash, power rinse and chemical rinse tank water temperatures are thermostatically controlled. Low water protection is provided. Comes with adjustable temperature range.

### FLIGHT-TYPE CONVEYOR:

Stainless steel side links, conveyor rods and conveyor tracks. Stainless steel or Injection molded Duraflex flight links are available.

### CHEMICAL RINSE:

Non-pumped, dual arm chemical rinse with chemical injection port. Separate drain connection. Separate water line required with customer supplied line pressure.

### CONVEYOR DRIVE UNIT:

Powered by a ½ H.P. motor. Trip mechanism provided on unload section. Jam protection is provided by load sensing switch at drive platform. Conveyor speed adjustment of 4.0, 6.3, 8.5 feet per minute is provided on the digital display keypad, and can be factory set, if requested.

### DRAINS:

Manual, hand-operated, located at each tank. Isolated chemical drain also.

### BLOWER DRYER:

Each blower dryer module includes (2) 2 H.P. fan motors with sealed ball bearings and over load protection. 31" door access provided. Multiple blower dryer modules available.



# FT1000iLT/FT1000SiLT Low Temp Chemical Industrial Conveyorized Washer

**No other control system allows easier monitoring.**



The digital controls are placed in a convenient panel that lets operators verify proper operation and temperatures at a glance. The digital display indicates the unit is on, and confirms that the doors are closed. Automatic door interlocks prevent the pump and conveyor from operating if the doors are open. Easy to read display indicates accurate temperatures of the wash, power rinse and chemical rinse.

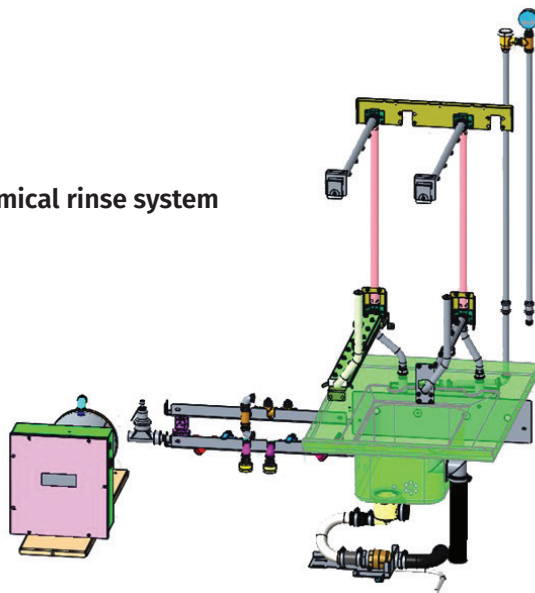
**Stainless steel pumps are built for long life.**

The stainless steel pump housing and impeller offer greater durability and long life. The pump motor is totally enclosed and fan cooled (TEFC) to protect it from water spray during clean-up.

**Scrap baskets capture particles and are easy to clean.**

The sloped screens that carry scraps to the scrap baskets are steeper, so less soil gets into the tanks. The basket opening is larger for easy cleaning and basket handles have been designed for easy lift-out access. The load section also contains removable scrap baskets. All scrap baskets and strainers are stainless steel for strength and durability.

**Chemical rinse system**



**Start/Stop switches.**

Are included at both the load and unload ends, front and rear for ease of use, safety and convenience.

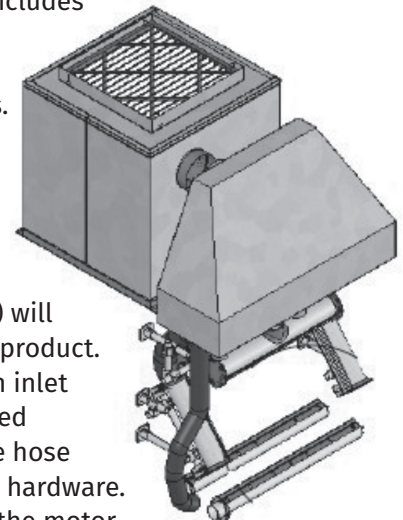


**Variable speed conveyor offers increased throughput or wash time.**

The speed of the conveyor is easily adjustable on the digital display keypad for the type of products, soiled condition, or workforce requirements. It runs at 4.0, 6.3, 8.5 feet per minute.

**High pressure blow-off (optional):**

The standard system includes a high velocity blower powering a series of high impact air nozzles. Two air knives will be located overhead and multiple air nozzles will be located under the belt. Finally, air cannons (on each side) will target the sides of the product. The system includes an inlet filter housing, galvanized supply ducting, flexible hose and air knife mounting hardware. A sound enclosure for the motor is also included to reduce the noise levels.



**Installation is quick and easy with modular design and minimal wiring connections.**

Modular design means the FT1000iLT installs quickly and reliably. The control panel is already in place, pre-mounted to the rinse section. Wiring connections are minimal, saving time and expense. The control box uses a “single plane” circuitry design for easy accessibility during installation and service.

**Blower Dryer provides increased drying results.**

A double blower and side air diverters in each blower dryer chamber provides a consistent heated air flow. Double doors provide easy access to chamber. Multiple blower dryer sections can be ordered and are easily assembled with a modular design.



**SPECIFICATIONS**

**Capacities**

Conveyor Speed (feet per minute) . . . . .	4.0, 6.3, 8.5
Dishes per Hour . . . . .	Varies by product size (Consult your Hobart representative)
Pre-wash Tank (U.S. gallons). . . . .	40
Wash Tank (U.S. gallons) . . . . .	40
Rinse Tank (U.S. gallons) . . . . .	32

**Motor Horsepower**

Pre-Wash tank . . . . .	4
Wash Tank. . . . .	4
Rinse Tank. . . . .	3.5
Conveyor. . . . .	1/3

**Water Consumption / Drain Flow**

U.S. Gallons per Hour (maximum use) . . . . .	150
U.S. Gallons per Minute. . . . .	2.5
Peak Rate of Drain Flow . . . . .	30gpm

**Electric Tank Heat**

Tank Heat, Electric. . . . .	56KW (Wash, Rinse)
Electric Booster . . . . .	30kw
Electric DSK Blower Dryer. . . . .	15Kw (ea)

**Exhaust Requirement**

Vent Connection – Center . . . . .	750cfm
Vent Connection – Load . . . . .	300cfm

**Shipping Weight (approximate).** . . . . . Varies by individual model  
(Consult your Hobart representative)

**Crated Dimensions** . . . . . Varies by individual model  
(Consult your Hobart representative)

As continued product improvement is a policy of Hobart, specifications are subject to change without notice.