



Project _____
 AIA # _____ SIS # _____
 Item # _____ Quantity _____ C.S.I. Section 114000



AM15SCB Chemical Sanitizing Door-Style Dishwashing Machine



STANDARD FEATURES

- + .74 gallons per rack final rinse water
- + 65 racks per hour – chemical sanitizing
- + 30°F rise electric booster heater
- + Timed wash cycles for 1, 2, 4 or 6 minutes
- + NSF pot and pan rated for 2-, 4- & 6- minute cycles
- + Machine lock-out and alerts when sanitizer or detergent is empty
- + Wash temperature assurance prior to cycle start
- + Rinse temperature assurance
- + Accommodates one 18" x 26" sheet pan or 30" sandwich cutting board
- + Solid state, integrated controls with digital status indicators
- + Self-draining, high efficiency stainless steel pump and stainless steel impeller
- + Stainless steel drawn tank, tank shelf, chamber, trim panels, frame and feet
- + Spring counterbalanced door with polyethylene guides
- + Revolving, interchangeable upper and lower anti-clogging wash arms
- + Revolving, interchangeable upper and lower rinse arms
- + Slanted, self-locating, one-piece scrap screen and basket system
- + Automatic fill
- + Door actuated start
- + Automatic drain closure
- + Delime cycle
- + Service diagnostics
- + Straight-through or corner installation
- + Chemical pumps
- + Remote monitoring compatible

SPECIFIER STATEMENT

Hobart AM15SCB Door Machine (standard height). Specified unit will be Hobart AM15SCB chemical sanitizing hood-type dishwashing machine with built-in booster heater. Features include machine lock-out and alerts when sanitizer or detergent is empty, chemical pumps, digital controls, NSF pot and pan rated for 2-, 4- & 6-minute cycles, auto door start with auto fill & auto drain closure, interchangeable stainless steel wash and rinse arms, delime cycle, service diagnostics, up to 65 racks per hour, .74 U.S. gallons per rack.

1 year parts and labor warranty.

OPTIONS & ACCESSORIES (Available at extra cost)

- Pumped drain with air gap (factory installed only)
- Peg rack
- Combination rack
- Splash shield for corner installations
- Seismic feet
- 3 compartment sink integration kit
 - Sink saddle & 3" leg extension kit
 - Adjustable sink rail
- Fold and load table

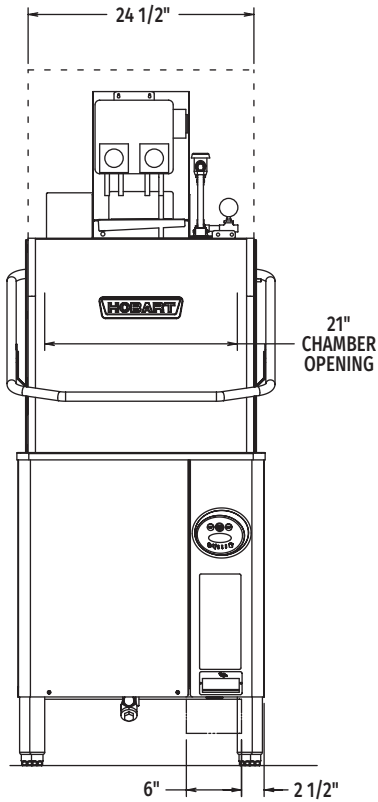
AM SELECT SERIES – AM15SCB CHEMICAL SANITIZING

Approved by _____ Date _____ Approved by _____ Date _____

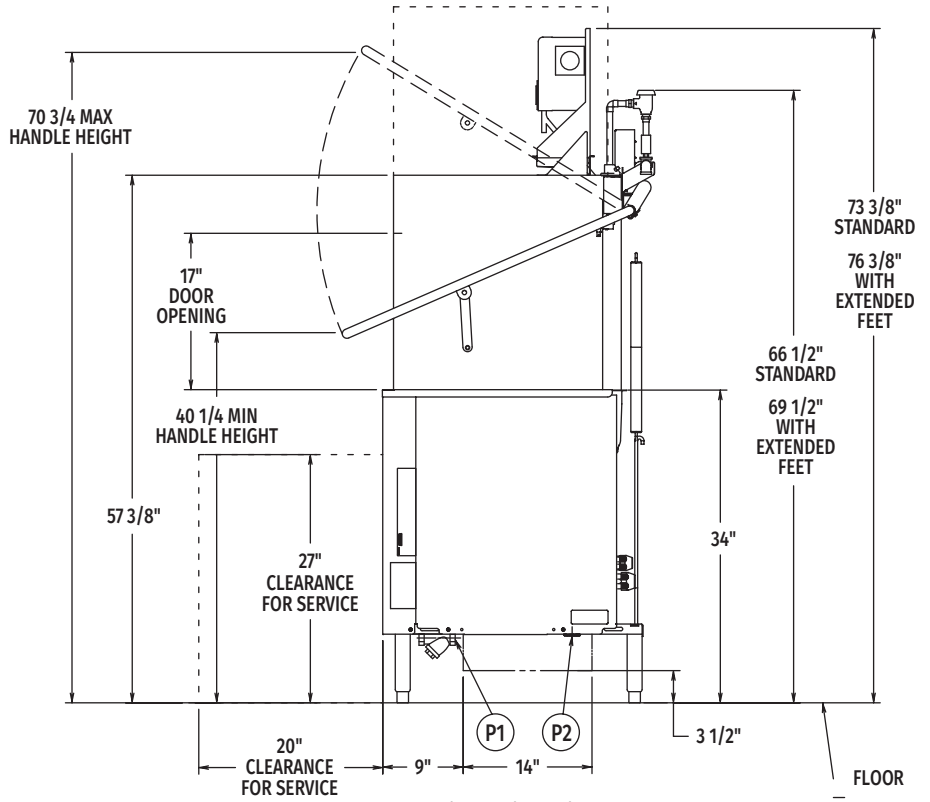


AM15SCB

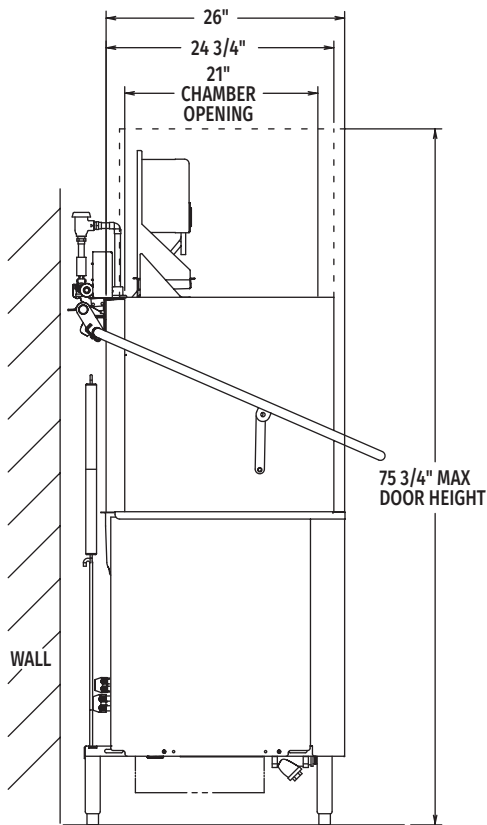
Chemical Sanitizing Door-Style
Dishwashing Machine



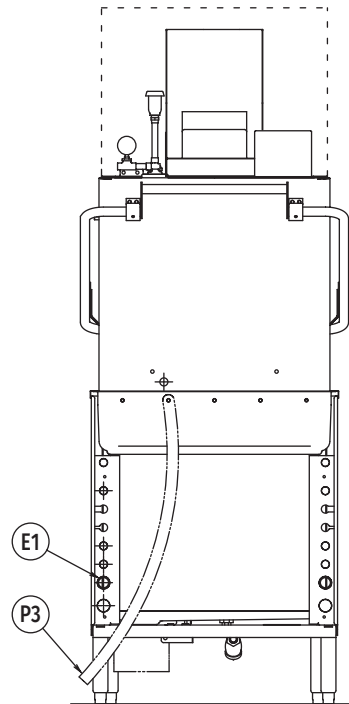
Front View



Right Side View



Left Side View



Back View

MODEL:
AM15SCB
E-975331
REV D



AM15SCB

Chemical Sanitizing Door-Style Dishwashing Machine

LEGEND

Electrical Connections	
E1	Electrical connection: motors & controls (including electric heat). 1" or 3/4" conduit hole; 13-1/4" AFF.
Plumbing Connections	
P1	Common water connection: (with booster heater): 90°F water minimum, 120°F water recommended, 3/4" FPT; 7" AFF. 1/2" supply line minimum.
P2	Drain (without pumped drain option): 1-1/2" MPT; 7-1/4" AFF.
P3	Drain (with pumped drain option): 8' long 5/8" hose supplied with machine, maximum height 40" AFF. Air gap shipped with machine (packaged separately with instructions).

WARNING: Plumbing and electrical connections should be made by qualified personnel who will observe all the applicable plumbing, sanitary, safety codes and National Electrical Code.

SPECIFICATIONS

Capacities

Racks Per Hour (maximum)	65
Dishes per Hour (average 25 per rack)	1,625
Glasses per Hour (average 45 per rack)	2,925
Wash Tank (U.S. gallons)	14

Motor Horsepower

Wash	2
------	---

Rinse

Rinse Cycle (gallons per rack at 20 PSI flow)	.74
Seconds of Rinse per Rack	10
Rate of Rinse Flow (gallons per minute at 20 lbs. flow pressure)	4.4

Peak Rate of Drain Flow

Gallons per Minute without Pumped Drain (initial rate with full tank)	14
Gallons per Minute with Pumped Drain (initial rate with full tank)	.8

Heating

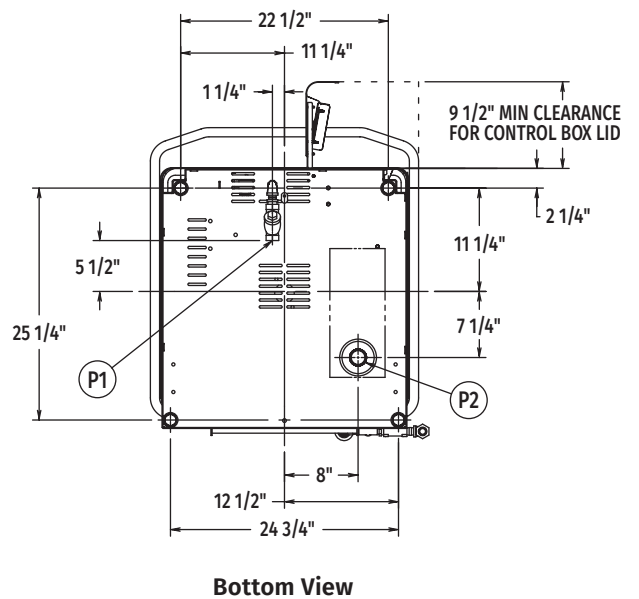
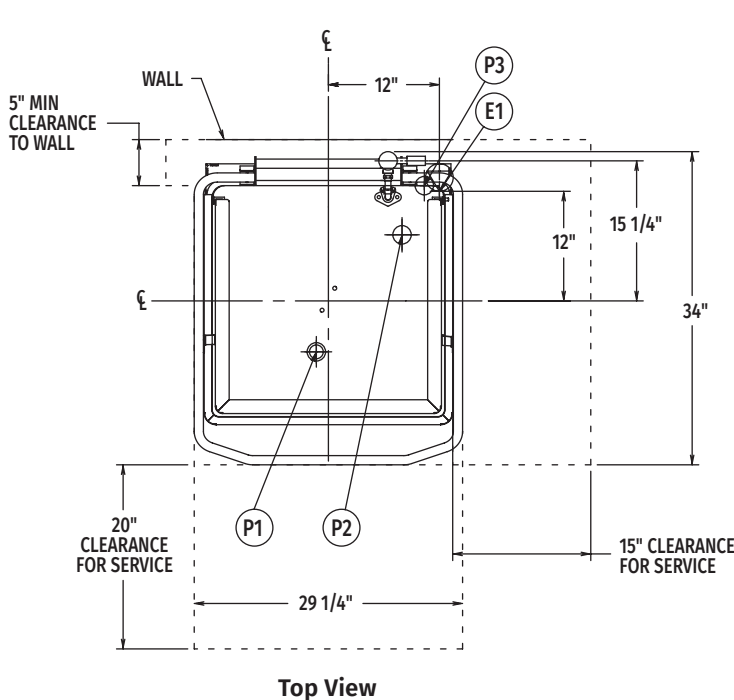
Electric Tank Heating Unit (kW)	5
Electric Booster Heater (kW)	4.25

Shipping Weight (approximate) 390 lbs. (with booster)

Overall Dimensions 73.375"H x 27"W x 28.5"D

E1	AM15SCB with Electric Tank Heat		
Voltage	Rated Amps	Minimum Supply Circuit Ampacity	Maximum Protective Device
208/240/60/1	25/32	30/40	30/40

Dishmachine not provided with internal GFCI protection.





AM15SCB Chemical Sanitizing Door-Style Dishwashing Machine

Plumbing Notes: Water hammer arrestor (meeting ASSE-1010 standard or equivalent) to be supplied (by others) in common water supply line at service connection.

Recommended water hardness to be 3 grains or less per gallon for best results.

Building flowing water pressure to the dishwasher must be 15-25 PSI, recommended 20 PSI.

Miscellaneous Notes: All dimensions taken from floor line may increase 3/4" or decrease 1/2" depending on leg adjustment.

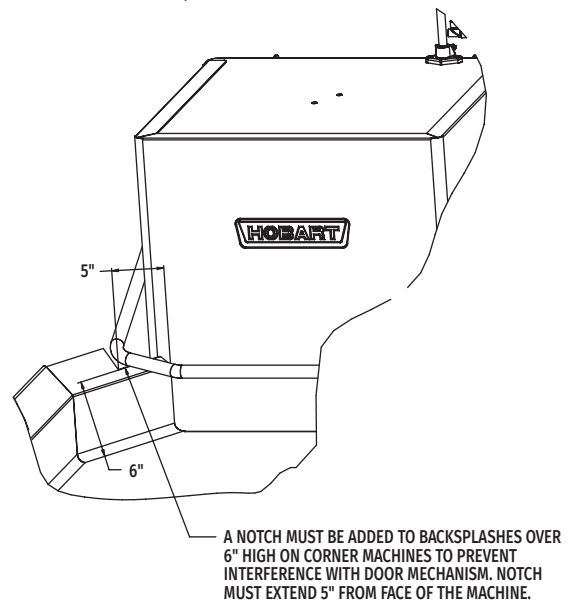
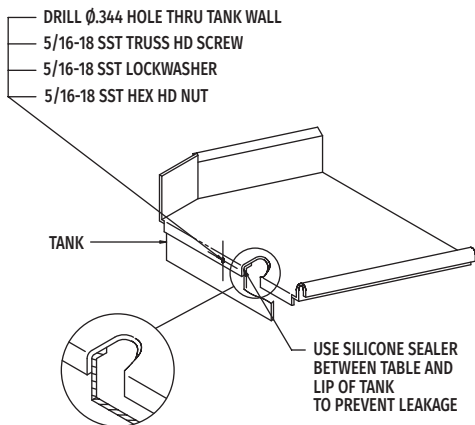
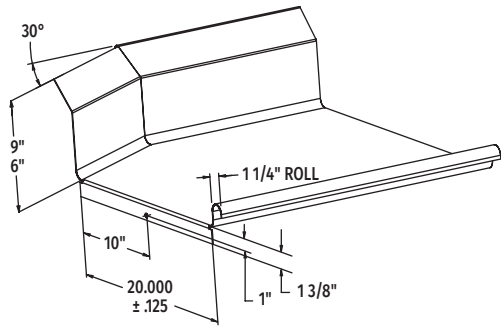
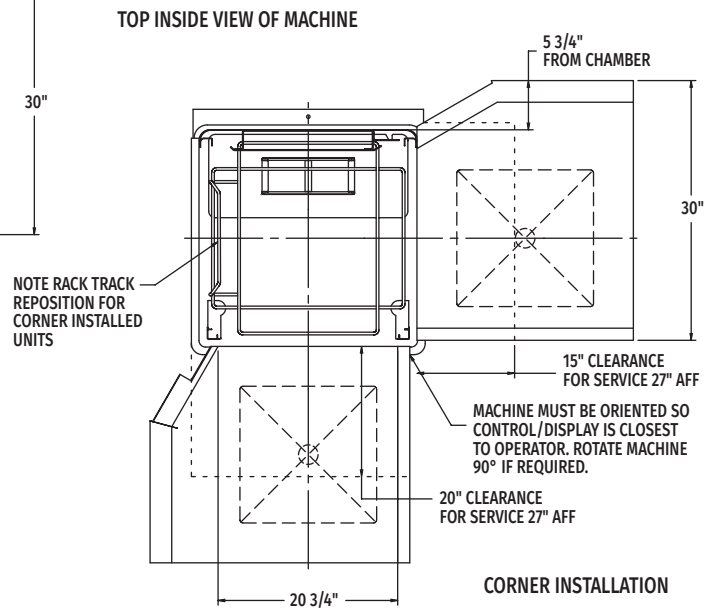
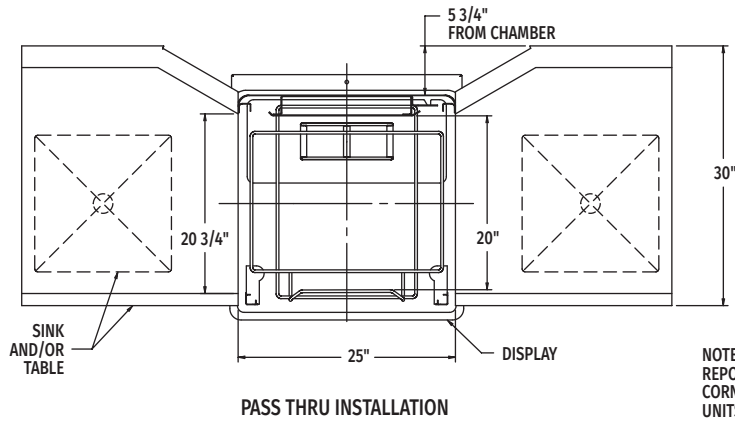
Net weight of machine: 304 lbs.

Domestic shipping weight: 390 lbs.

Size of racks: 19-3/4" x 19-3/4".

Increase all vertical dimensions 3" if foot-extensions are used.

AM15SCB TABLING CONFIGURATIONS AND TRACK DESIGN



As continued product improvement is a policy of Hobart, specifications are subject to change without notice.