



# CATALOG OF REPLACEMENT PARTS



## OV520G1 GAS RACK OVEN

ML-132587  
ML-132647

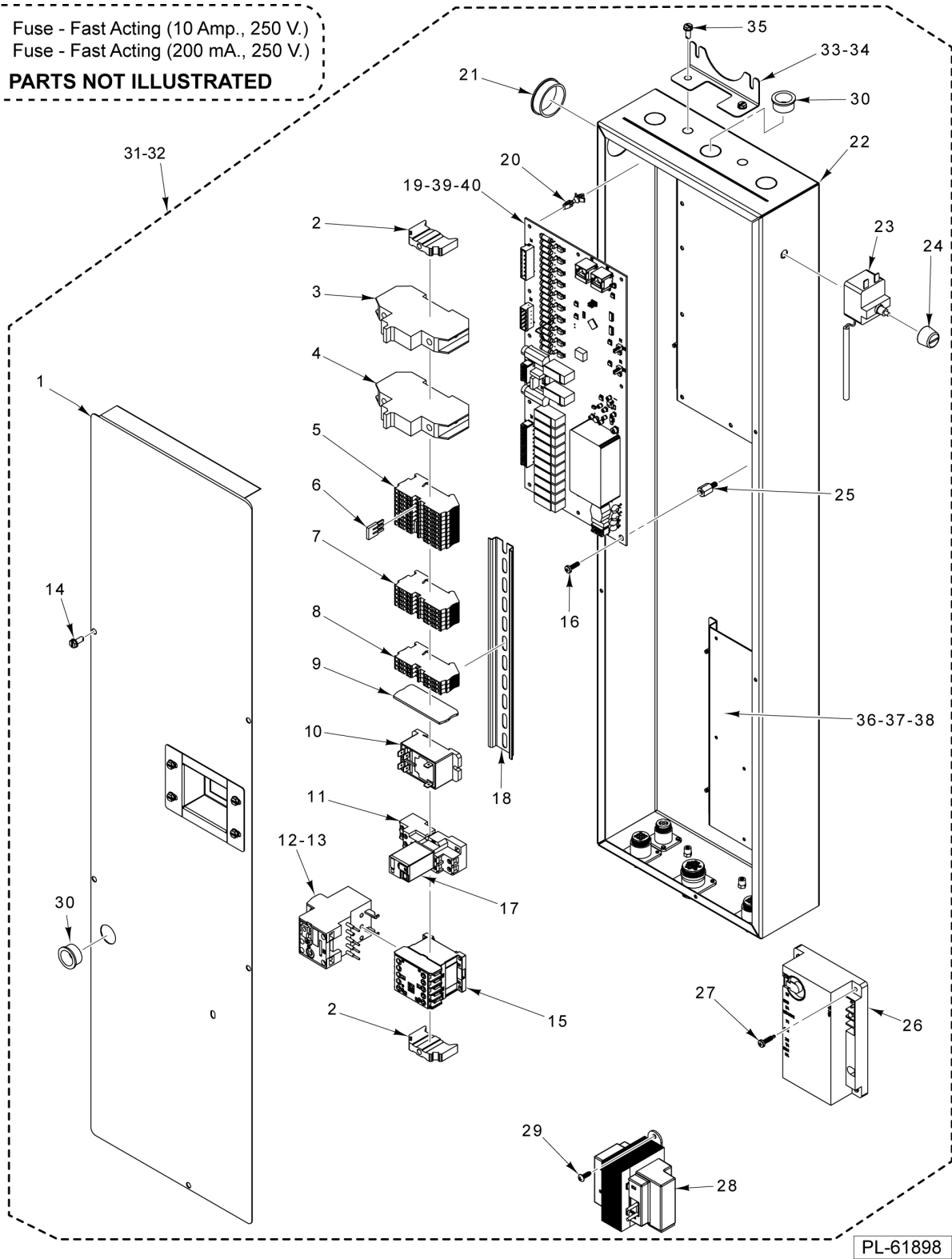
OV520G1  
OV520G1



**Table of Contents**

5 COMPONENT BOX  
7 CONTROL CABINET, DOOR, AND CONTROLLER  
9 CABINET  
11 HOOD  
13 LOADING DOOR  
15 BLOWER, PANELS, AND VENTS  
17 DRAFT INDUCER  
19 JUNCTION BOX ASSEMBLY  
21 LIFTER  
23 ROTATOR  
25 CARRIER  
27 STEAMER ASSEMBLY  
29 GAS BURNER AND HEAT CIRCULATION  
31 GAS SUPPLY PLUMBING  
33 EXTERIOR WATER SUPPLY

39 Fuse - Fast Acting (10 Amp., 250 V.)  
 40 Fuse - Fast Acting (200 mA., 250 V.)  
**PARTS NOT ILLUSTRATED**

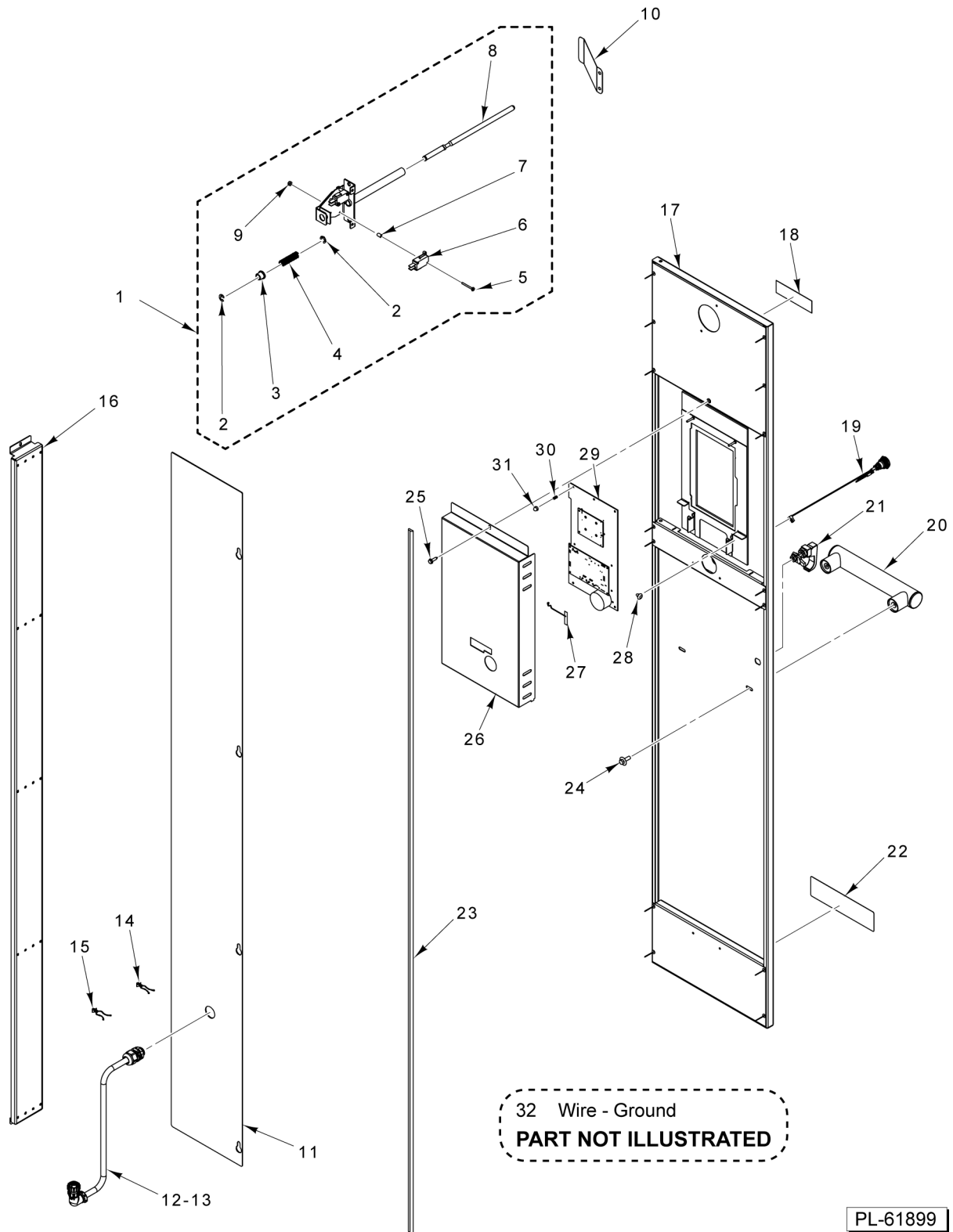


PL-61898

**COMPONENT BOX**

## COMPONENT BOX

ILLUS. PL-61898	PART NO.	NAME OF PART	AMT.
1	01-1M7401-00002	Cover - Electrical Box.....	1
2	01-1000V5-00396	Stop - End (Din Rail) (35mm).....	2
3	01-1000V6-00423	Circuit Breaker (10A).....	1
4	01-1000V6-00424	Circuit Breaker (13A).....	1
5	01-1000V5-00397	Block - Spring Terminal (4 Wire Gray).....	9
6	01-1000V5-00401	Jumper (3-Pole).....	2
7	01-1000V5-00398	Block - Spring Terminal (4 Wire Blue).....	5
8	01-1000V5-00399	Block - Spring Terminal (4 Wire Green/Yellow).....	3
9	01-1000V5-00400	Block - Spring Terminal (End Cap) (4 Wire).....	1
10	01-1000V6-00389	Relay, DPST - 1 Hp @ 120V.....	1
11	01-1000V6-00404	Relay (8 Pin) Din Rail, Mount.....	1
12	01-1000V6-00399	Contactor - Overload (208-240 V., 3 Ph.) (6.3 Amp.).....	1
13	01-1000V6-00408	Contactor - Overload (440-480 V., 3 Ph.) (2.8 Amp.).....	1
14	01-1000V4-00474	Screw 10-32 x 1/2 Hex Washer Hd. (Zinc).....	5
15	01-1000V6-00398	Contactor (208-240/480 V., 3 Ph.) (9 Amp.).....	1
16	01-1000V4-00662	Mach. Screw 10-32 x 3/8 Phil Hd. (Ground Screw).....	AR
17	01-1000V6-00405	Relay - Socket, Mount (120 VAC DPDT).....	1
18	01-100V18-00115	Din Rail (9080-M H) (10 In.).....	1
19	01-100V16-01085	Board - I/O.....	1
20	01-1000V5-00405	Post - Mounting (PCB Support) (0.156 Holes x 0.375 Standoff).....	9
21	01-1000V5-00387	Bushing - Snap (1-1/2 In.) (Plastic).....	1
22	01-1M7400-00020	Electrical Box Metal Assy.....	1
23	01-1000V6-00406	Thermostat - Hi Limit.....	1
24	01-1000V6-00407	High Limit Cap.....	1
25	01-1000V4-00659	Standoff Threaded 10-32.....	1
26	01-1000V9-00204	Module - Ignition (OV520G1).....	1
27	01-1000V4-00542	Screw - Phil. Hd. 8-18 x 3/4 (Zinc).....	2
28	01-100V10-00374	Transformer - Ignition (30 VA., 120-24 V.).....	1
29	01-1000V4-00442	Screw Pan Hd. 8-32 x 1/2 (Zinc).....	2
30	01-1000V5-00059	Bushing - Snap 7/8 In. (Plastic) (7/8 In.).....	2
31	01-1M7400-00001	Electrical Box Assy. (208-240 V., 60 Hz. 3 Ph.) (120 V., 60 Hz., 1 Ph.) (Incls. Items 1 thru 12, 14 thru 30, & 33 thru 38).....	1
32	01-1M7400-00011	Electrical Box Assy. (440-480 V., 60 Hz., 3 Ph.) (120 V., 60 Hz., 1 Ph.) (Incls. Items 1 thru 11, 13 thru 30, & 33 thru 38).....	AR
33	01-1M7400-00204	Bracket.....	2
34	01-1000V4-00121	Insert - Threaded 10-32 Hex.....	4
35	01-1000V4-00474	Screw 10-32 x 1/2 Hex Washer Hd. (Zinc).....	4
36	01-1M7400-00203	Plate.....	1
37	01-100V12-00008	Rivet.....	AR
38	01-1000V4-00270	Insert - Threaded 8-32 Hex.....	2
39	01-100V10-00372	Fuse - Fast Acting (10 Amp., 250 V.).....	1
40	01-100V10-00373	Fuse - Fast Acting (200 mA., 250 V.).....	1

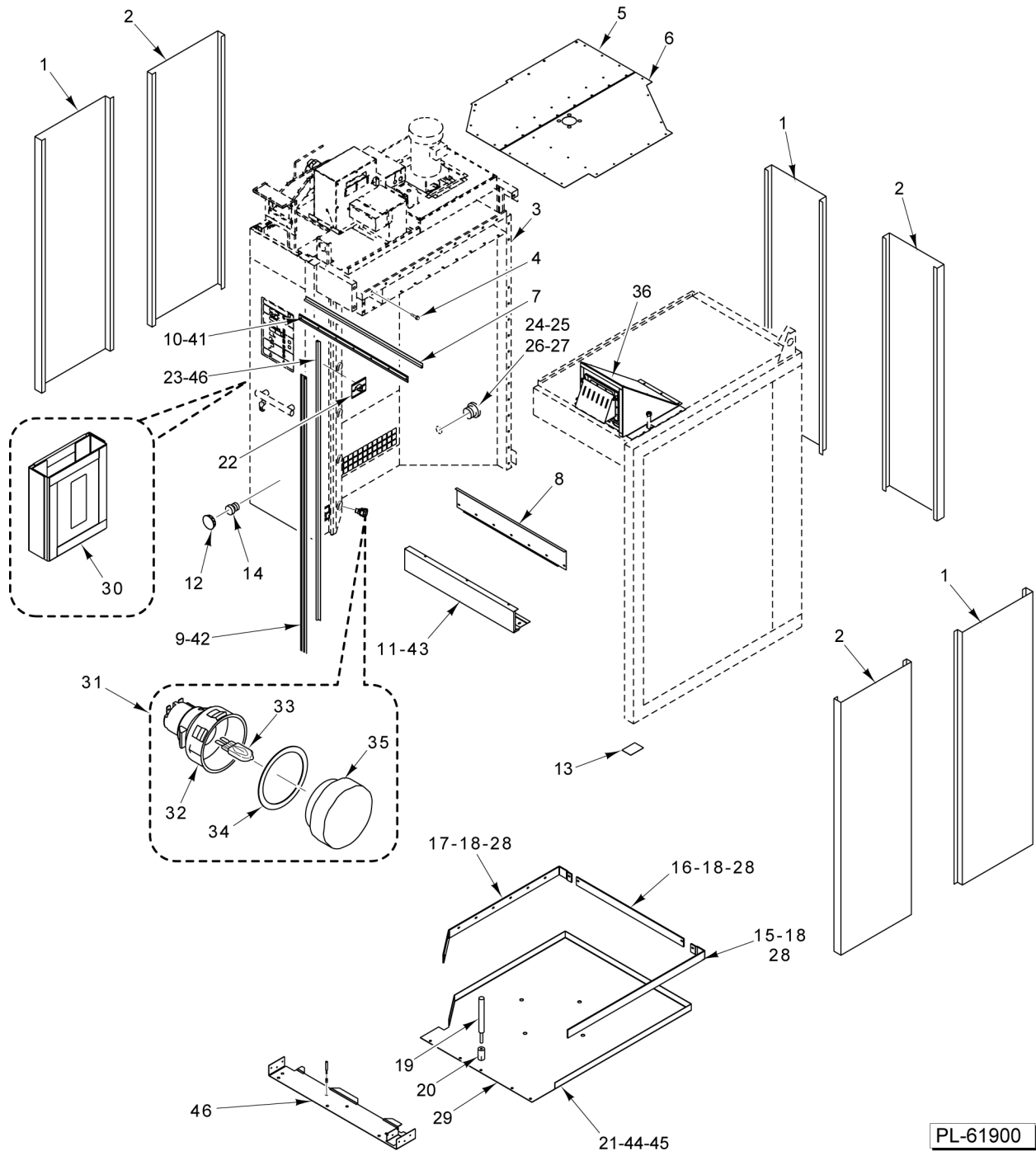


**CONTROL CABINET, DOOR, AND CONTROLLER**

## CONTROL CABINET, DOOR, AND CONTROLLER

ILLUS. PL-61899	PART NO.	NAME OF PART	AMT.
1	01-1M6478-00001	Door Switch Assy. (Spring Loaded) (Incls. Items 2 thru 9).....	1
2	01-1000V1-00078	Clip - E-Door.....	2
3	01-1M6478-00103	Bearing (Bronze).....	1
4	01-100V20-00027	Spring - Compression.....	1
5	01-1000V4-00512	Mach. Screw Hex Hd. 4-40 x 1.....	4
6	01-1000V6-00343	Switch - Lever SPST.....	2
7	01-1000V5-00318	Spacer.....	4
8	01-1M6478-00101	Rod - Actuator.....	1
9	01-1000V4-00355	Nut.....	4
10	01-1M6928-00001	Plate, Actuator.....	1
11	01-1M5150-00001	Cover - Light Access.....	1
12	01-1M7119-00001	Harness - Lights.....	1
13	01-1M7400-00211	Cable, Light.....	1
14	01-1000V5-00388	Standoff .500 x 1.59 In. (Twist Lok) Wire Tires (.19 hole).....	AR
15	01-1000V5-00359	Standoff .700 x 1.64 In. (Twist Lok) Wire Tires (.19 hole).....	4
16	01-1M7416-00101	Channel, Cable.....	1
17	01-1M7552-00005	Control Door Assy.....	1
18	01-100V16-0348F	Label - Gas Shutoff.....	1
19	01-1M7408-00001	Switch - Push Button.....	1
20	01-1M6376-00005	Handle - Door.....	1
21	01-100V18-00161	Latch.....	1
22	01-100V16-0290F	Label.....	1
23	01-100V21-00092	Gasket - PVC-Extruded ("B" Shape).....	1
24	01-1000V4-00283	Mach. Screw 1/4-20 x 3/4 Hex Washer Hd. (SST).....	2
25	01-1000V4-00400	Cap Screw 10-32 x 3/4 Hex Hd. (SST).....	1
26	01-1M7403-00201	Cover - Display.....	1
27	01-100V10-00365	Antenna - Internal (Smart Touch Controller) (100mm Cable, U.FL Connector).....	1
28	01-100V15-00088	Rubber Button.....	2
29	01-100V16-01086	Board - Control (Smart Touch).....	1
30	01-100V20-00035	Spring.....	2
31	01-1000V4-00624	Cap Nut 6-32 (SST).....	2
32	01-1M7400-00006	Wire - Ground (IO Board to UI Board).....	1

- 37 01-1M2335-00001 Wheel (For Installation)  
 38 01-1M7339-00001 Kit - Insulation (Whole Oven)  
 39 01-1M7340-00001 Kit - Insulation (Oven Split)  
 40 01-100V21-0065A Tape - Fiberglass
- PARTS NOT ILLUSTRATED**



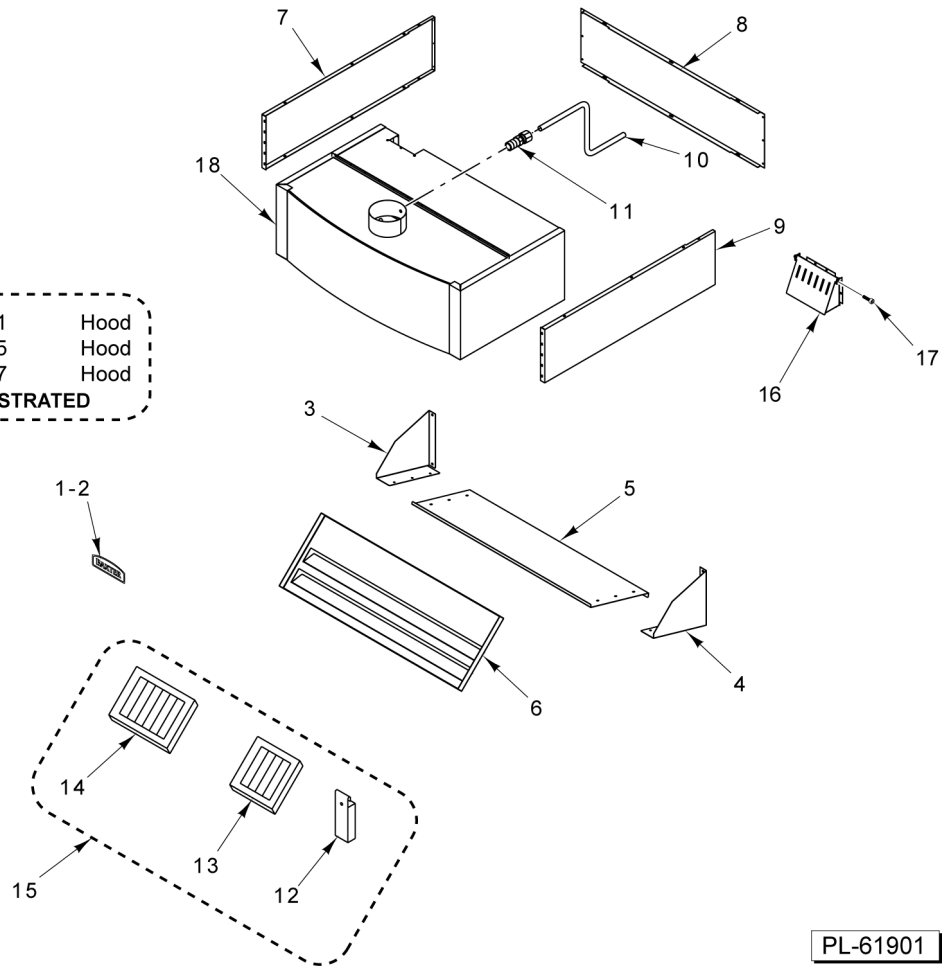
**CABINET**

## CABINET

ILLUS.	PART NO.	NAME OF PART	AMT.
PL-61900			
1	01-1M5672-00002	Skin - Outer.....	3
2	01-1M5672-00001	Skin - Outer.....	3
*3	01-100V21-0065A	Tape - Fiberglass (1/8 x 1) (With Adhesive).....	AR
4	01-1000V4-00283	Mach. Screw 1/4-20 x 3/4 Hex Washer Hd. (SST).....	AR
5	01-1M5460-00001	Panel - False Ceiling (LH).....	1
6	01-1M5460-00002	Panel - False Ceiling (RH).....	1
7	01-100V16-00789	Gasket - Loading Door.....	AR
8	01-1M6119-00103	Cover - Bottom Header (ML-132487).....	1
9	01-1M6159-00101	Retainer - Gasket Loading Door (Vertical).....	2
10	01-1M6159-00103	Retainer - Gasket Horizontal (ML-132487).....	1
11	01-1M6119-00101	Header - Top Door Loading (ML-132487).....	1
12	01-100V15-00047	Plug - Nickel Plated (1-1/4 In.).....	1
13	01-1M5610-00201	Shim.....	AR
14	01-100V17-00766	Plug - 1/2 NPT.....	1
15	01-1M7105-00101	Trim - Floor (Right) (Fiberglass Tape not included. Order item 28).....	1
16	01-1M7105-00102	Trim - Floor (Rear) (Fiberglass Tape not included. Order item 28).....	1
17	01-1M7105-00103	Trim - Floor (Left) (Fiberglass Tape not included. Order item 28).....	1
18	01-1000V4-00283	Mach. Screw 1/4-20 x 3/4 Hex Washer Hd. (SST).....	AR
19	01-1000V4-0073A	Tool - Setting (1/4 In.).....	1
20	01-1000V4-00073	Anchor - Drop-In 1/4-20.....	1
21	01-1M7230-00001	Floor - Single (One Piece) (ML-132487).....	1
22	01-1M6116-00002	Ramp Lock - Weldment.....	2
23	01-100V16-00789	Gasket - Loading Door.....	AR
24	01-100V17-00183	Coupler 1/2 In. (SST).....	AR
25	01-100V17-00538	Elbow 1/2 Street (SST).....	2
26	01-100V17-00533	Pipe 6-1/2 x 1/2 (SST) (Rear Drain).....	1
27	01-1M7120-00001	Front Drain Assy.....	1
*28	01-100V21-0065A	Tape - Fiberglass (1/8 x 1) (Use With Items 15 thru 18).....	AR
29	01-1M7105-00001	Kit - Floor Trim (Single) (Incls. Items 15, 16, 17, & 28).....	1
30	01-1P2429-00003	Kit - Thermometer Holder.....	AR
31	01-1M7311-00001	Kit - Light Replacement (Incls. Items 32 thru 35).....	AR
32	01-1000V7-00057	Base - Halogen Oven Lamp.....	AR
33	01-1000V7-00054	Bulb - Halogen G9 Base.....	AR
34	01-1000V7-00059	Ring - Pressure.....	AR
35	01-1000V7-00058	Lens - Oven Lamp.....	AR
36	01-1M5624-00001	Over Pressure Vent Assy.....	1
37	01-1M2335-00001	Wheel (For Installation).....	1
38	01-1M7339-00001	Kit - Insulation (Whole Oven).....	1
39	01-1M7340-00001	Kit - Insulation (Split Oven).....	1
40	01-100V21-0065A	Tape - Fiberglass (1/8 x 1).....	AR
41	01-1M7090-00101	Retainer - Gasket (Horizontal) (ML-132647).....	1
42	01-1M7090-00202	Retainer - Gasket (ML-132647).....	2
43	01-1M7031-00101	Cover - Header (One Piece Header Cover) (ML-132647).....	1
44	01-1M7101-00101	Floor - Skin (RH) (ML-132647).....	1
45	01-1M7102-00101	Floor - Skin (LH) (ML-132647).....	1
46	01-1M7047-00101	Plate - Threshold (ML-132647).....	1
47	01-100V16-0789E	Gasket - Loading Door (Vertical) (ML-132647).....	2

\* (Sold Per Inch)

19 01-1M7121-00001 Hood  
 20 01-1M7121-00005 Hood  
 21 01-1M7121-00007 Hood  
**PARTS NOT ILLUSTRATED**

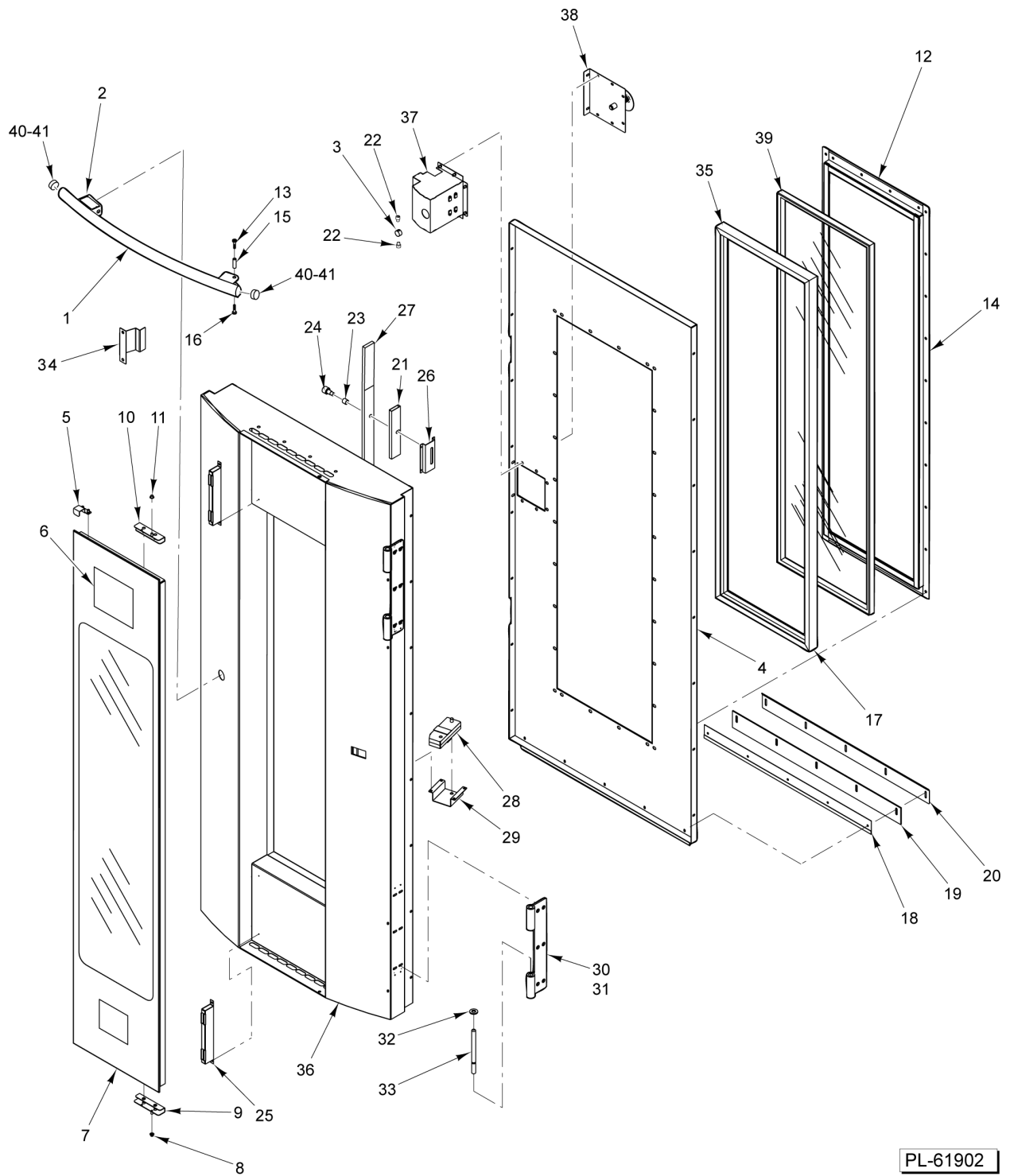


PL-61901

**HOOD**

## HOOD

ILLUS.	PART NO.	NAME OF PART	AMT.
PL-61901			
1	01-100V16-0772B	Nameplate - Baxter Curved (9 In.).....	1
2	01-100V16-0772A	Nameplate - Baxter Flat (9 In.).....	1
3	01-1M7125-00001	Bracket - Plenum (Left).....	1
4	01-1M7125-00002	Bracket - Plenum (Right).....	1
5	01-1M7124-00001	Plenum - Hood.....	1
6	01-1M7123-00001	Baffle - Hood.....	1
7	01-1M6115-00101	Trim - Hood Side Single.....	1
8	01-1M5352-00001	Trim - Rear.....	1
9	01-1M6115-00101	Trim - Hood Side Single.....	1
10	01-100V17-00004	Tube 1/4 O.D. x 100 In. Lg. (Alum.) (Sold Per Inch).....	1
11	FP-078-49	Fitting - Tube (1/4 In.) (Brass).....	1
12	01-1M3032-00001	Cup - Hood Grease.....	1
13	01-100V18-00089	Filter - Hood 16 x 20 With Drop.....	1
14	01-100V18-00088	Filter - Hood 16 x 16 With Drop.....	2
15	01-1M5931-00001	Kit - Grease Filter (Single) (Incls. Items 12, 13, & 14).....	1
16	01-1M5624-00001	Over Pressure Vent Assy.....	1
17	01-1000V4-00572	Shoulder Screw, #10-32 X 3/8 Thread Length, .25 DIA X 3/8 Shoulder Length.....	2
18	01-1M7121-00003	Kit - Hood (Curved Front) (30 In.) (Standard Ovens) (Incls. Items 1, & 3 thru 9).....	1
19	01-1M7121-00001	Hood (30 In. Deep Flat Front) (Incls. Items 2 thru 9).....	1
20	01-1M7121-00005	Hood (36 In. Deep Flat Front) (Incls. Items 2 thru 9).....	1
21	01-1M7121-00007	Hood (36 In. Deep Curved Front) (Incls. Items 1, & 3 thru 9).....	1

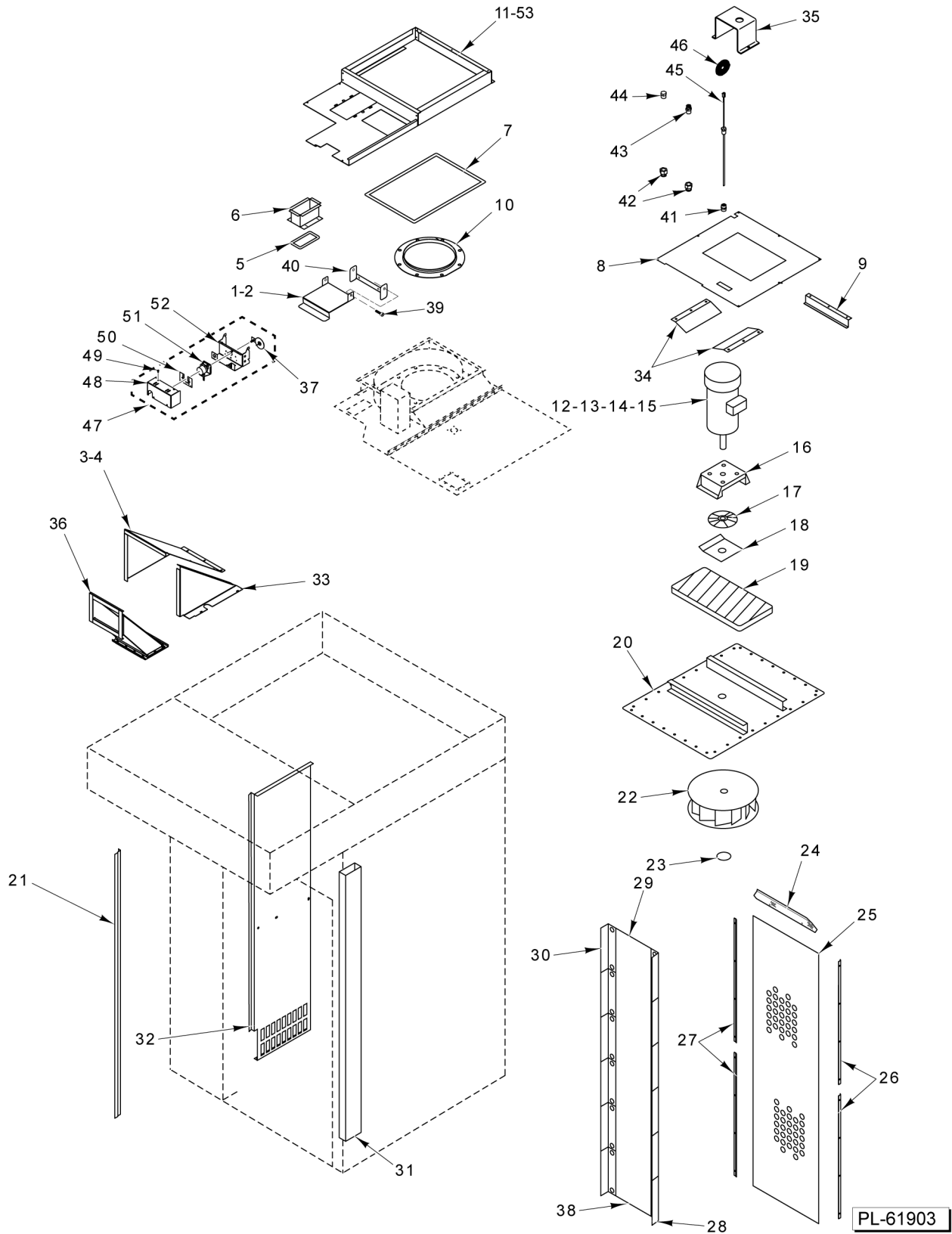


PL-61902

**LOADING DOOR**

## LOADING DOOR

ILLUS. PL-61902	PART NO.	NAME OF PART	AMT.
1	01-1M6376-00001	Handle - Loading Door.....	1
2	01-100V16-00259	Label - Warning.....	2
3	01-1M6101-00102	Plug - Handle Mount.....	1
4	01-1M6101-00101	Skin - Inner Door.....	1
5	01-1M6110-00005	Bracket.....	1
6	01-100V16-0168C	Label - Caution (Hot).....	4
7	01-1M6946-00001	Kit - Outer Door Glass Assy. (Crated) (Incls. Items 5, 7 thru 10).....	1
8	01-1000V0-00095	Bearing - Glass Pivot Sleeve.....	1
9	01-1M6110-00002	Pivot - Bottom.....	1
10	01-1M6110-00003	Pivot - Top.....	1
11	01-1000V0-00095	Bearing - Glass Pivot Sleeve.....	1
12	01-1M6106-00002	Retainer - Window Horizontal.....	2
13		Mach. Screw 1/4-20 Phillips Flt. Hd.....	1
14	01-1M6105-00001	Retainer - Window Vertical.....	2
15	01-1M6101-00115	Pin - Handle Hinge (Curved).....	1
16		Mach. Screw 1/4-20 Phillips Flt. Hd.....	1
17	01-100V16-00766	Gasket - Window (One-Piece Fused Corners).....	1
18	01-1M6101-00112	Sweep - Inner Door.....	1
19	01-100V16-0779A	Gasket - Door Sweep.....	1
20	01-1M6101-00113	Sweep - Outer Door.....	1
21	01-1M6101-00210	Bearing - Lock Bar.....	2
22	01-1000V4-00369	Cap Screw 1/4 x 1/4 Hex Socket Hd. (Zinc-Plated).....	AR
23	01-1M7093-00103	Sleeve - Roller.....	1
24	01-1000V0-00135	Bearing - Door Latch Roller.....	2
25	01-1M6149-00001	Magnet - Outer Door Weldment.....	2
26	01-1M6101-00109	Lock - Retainer Bar.....	2
27	01-1M7099-00001	Bar - Lock.....	2
28	01-1M6166-00001	Bracket - Handle Pivot.....	1
29	01-1M6166-00002	Support - Handle Pivot.....	1
30	01-1M5918-00003	Hinge Assy. - Jamb Hinge (Incls. Item 31, 32, & 33).....	2
31	01-1M5918-00301	Hinge - Door (Female).....	2
32	01-1000V0-00080	Bearing - Door Hinge (Brass).....	4
33	01-1M5918-00201	Pin - Hinge Loading Door.....	4
34	01-1M6526-00001	Bracket - Actuator, Door Switch.....	1
35	01-100V21-0065A	Tape - Fiberglass (1/8 x 1).....	AR
36	01-1M6199-00001	Door Assy. (Incls. Items 1 thru 35, 39, 40, & 41).....	1
37	01-1M6108-00001	Latch Assy. (Mechanism).....	1
38	01-1M7343-00001	Handle - Interior Door.....	1
39	01-100V16-00765	Glass - Double Pane.....	1
40	00-913135-00228	Plug - Snap In (Round).....	2
41	01-1M6103-0203B	Cap - End (Door Handle) (Oval).....	AR

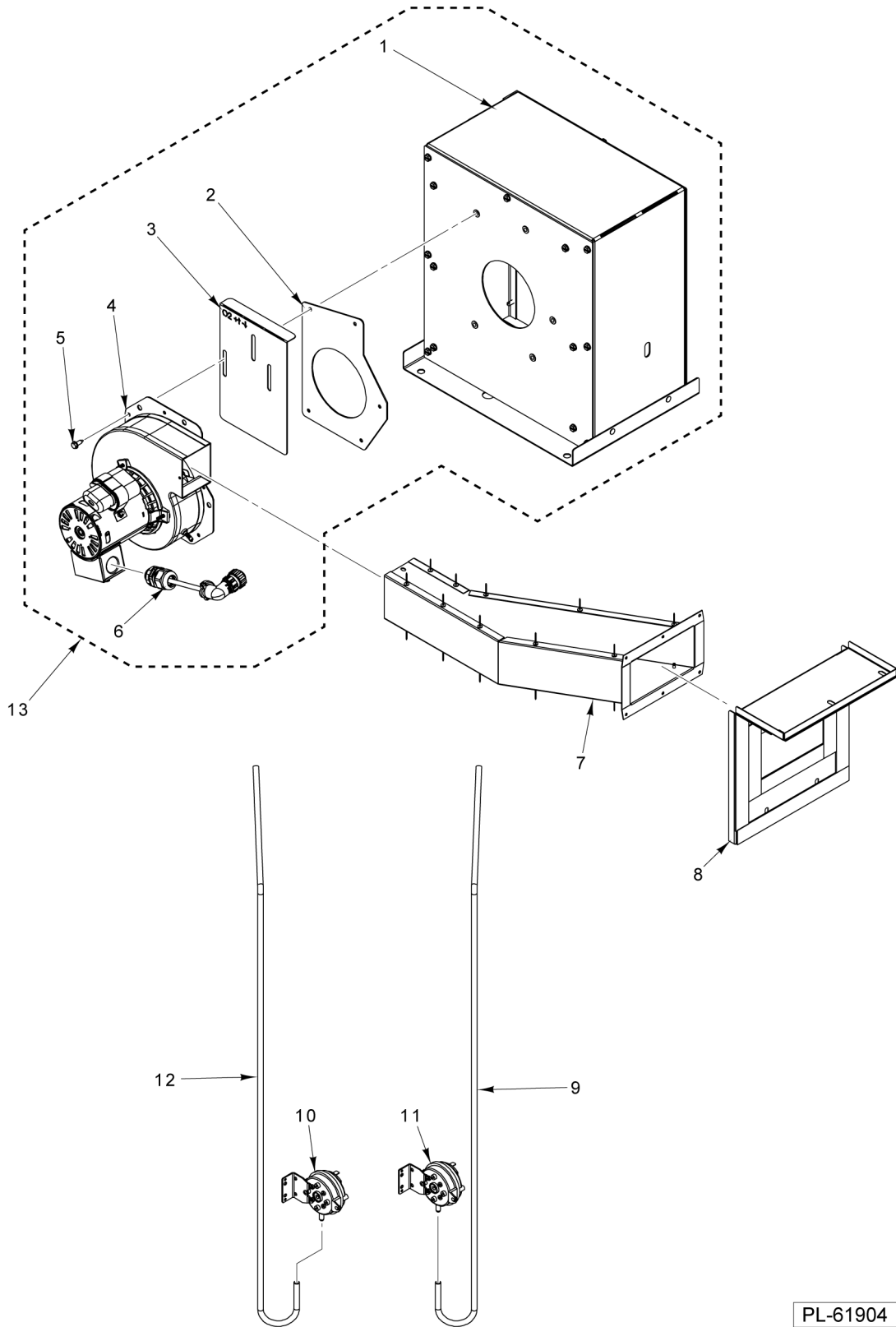


**BLOWER, PANELS, AND VENTS**

**BLOWER, PANELS, AND VENTS**

ILLUS. PL-61903	PART NO.	NAME OF PART	AMT.
1	01-1M6549-00001	Vent - Intake Lid.....	1
2	01-100V16-00682	Gasket - Vent Duct.....	1
3	01-1M6814-00001	Duct Assy. (Incls. Items 4 & 33).....	1
4	01-1M6814-00101	Cover - Duct (Side).....	1
*5	01-100V21-00072	Rope - Glass (3/4 Dia.).....	AR
6	01-1M5462-00001	Weldment - Rope Gasket.....	1
*7	01-100V21-0065A	Tape - Fiberglass (1/8 x 1).....	AR
8	01-1M5542-00001	Cover - Blower Insulation.....	1
9	01-1M2227-00001	Liner - Blower Insulation Cover.....	2
10	01-1M2451-00001	Bell - Inlet.....	1
11	01-1M6141-00001	Body - Insulation Blower Cover (LH) (ML-132647).....	1
12	01-1M2060-00002	Blower Assy. (3 Ph.) (Incls. Items 14, 16 thru 20, 22, & 23).....	1
13	01-1M2060-00004	Blower Assy. (1 Ph.) (Incls. Items 15 thru 20, 22, & 23).....	1
14	01-1000V8-00052	Motor - Blower (3 Ph., 1-1/2 Hp.).....	1
15	01-1000V8-00067	Motor - Blower (1 Ph., 2 Hp.).....	1
16	01-1M1360-00001	Mount - Blower Motor.....	1
17	01-1M2458-00001	Heat Slinger Assy.....	1
18	01-1M1794-00001	Cover - Blower Insulation.....	1
19	01-1M1795-00001	Insulation - Blower.....	1
20	01-1M2059-00001	Mount - Blower Weldment.....	1
21	01-1M5476-00001	Bracket - Mounting (Suction Panel).....	1
22	01-1000V8-00041	Wheel - Blower (15 In. Dia.).....	1
23	01-1000V1-00028	Ring - Snap.....	1
24	01-1M2101-00004	Z-Bar (Pressure Panel).....	1
25	01-1M2572-00001	Screen - Pressure Panel.....	1
26	01-1M2479-00002	Retainer - Pressure Screen (RH).....	2
27	01-1M2479-00003	Retainer - Pressure Screen (LH).....	2
28	01-1M5459-00002	Shutter - Pressure Panel 97 Deg.....	6
29	01-1M5523-00001	Body - Pressure Panel Shutter Support.....	1
30	01-1M5459-00001	Shutter - Pressure Panel 90 Deg. (#2 Bend At 7 Deg.).....	6
31	01-1M2089-00001	Duct - Bottom Vent.....	1
32	01-1M6964-00001	Panel - Suction.....	1
33	01-1M6814-00102	Cover - Duct (Top).....	1
34	01-1M1895-00001	Cover - Blower Insulation.....	2
35	01-1M1433-00001	Protector - Thermocouple.....	1
36	01-1M6803-00001	Duct - Vent.....	1
37	01-1M7410-00001	Vent Cam Assy.....	1
38	01-1M5458-00001	Panel - Pressure Shutter Assy. (Incls. Items 28, 29, & 30).....	1
39	01-1000V4-00572	Shoulder Screw, #10-32 X 3/8 Thread Length, .25 DIA X 3/8 Shoulder Length.....	2
40	01-1M6550-00101	Bracket - Vent Lid.....	1
41	01-100V17-00257	Coupling 1/4 NPT (Brass).....	1
42	01-100V17-00281	Coupler - Reducer 3/8 to 1/4.....	2
43	01-100V17-00304	Kit - Stuffing Box.....	1
44	01-100V17-00259	Plug - Pipe 3/8 NPT (Brass).....	1
45	01-100V10-00307	Sensor - Temp (9 In.).....	1
46	01-100V10-00361	Extender - Cable.....	1
47	01-1M7409-00001	Vent Motor Assy. (Incls. Items 37, & 48 thru 52).....	1
48	01-1M7409-00102	Cover - Vent.....	1
49	01-1000V4-00474	Screw 10-32 x 1/2 Hex Washer Hd. (Zinc).....	AR
50	01-1M7409-00103	Retainer - Vent.....	1
51	01-1000V8-00150	Motor - Vent Damper.....	1
52	01-1M7409-00101	Mount - Vent Bracket.....	1
53	01-1M7662-00001	Body - Blower Insulation Cover (LH) (ML-132647).....	1

\* (Sold Per Inch)

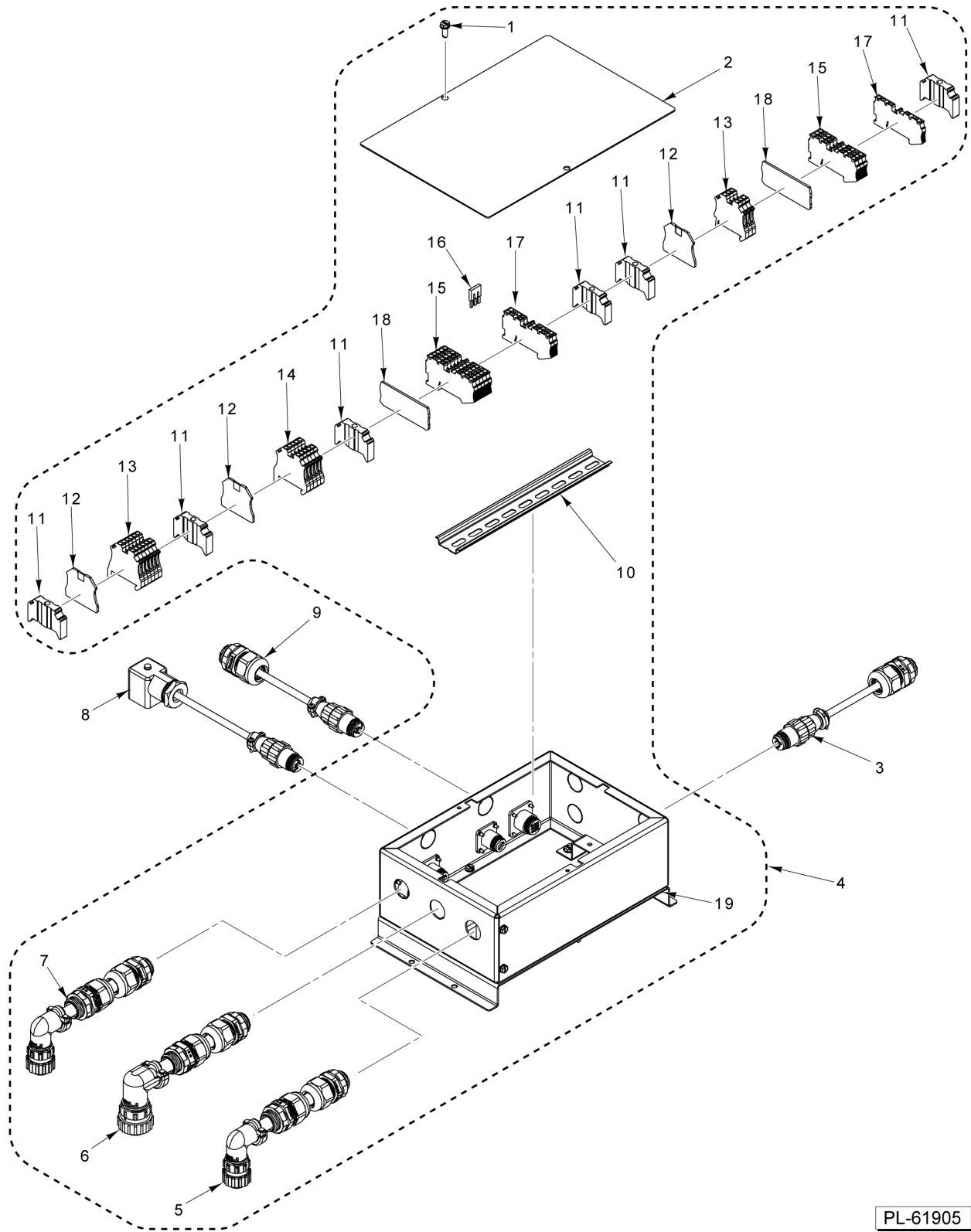


**DRAFT INDUCER**

PL-61904

**DRAFT INDUCER**

ILLUS.	PART NO.	NAME OF PART	AMT.
PL-61904			
1	01-1M7427-00001	Draft Inducer Box Assy.....	1
2	01-100V16-00956	Gasket - Insulation (Draft Inducer).....	1
3	01-1M6555-00108	Plate - Adjustment.....	1
4	01-1000V8-00156	Blower Motor - Draft Inducer.....	1
5	01-1000V4-00389	Screw #10-32 x 5/8 Hex Hd. W/ Lock Washer (SST).....	AR
6	01-1M7400-00412	Cable (Draft Inducer).....	1
7	01-1M6763-00001	Duct.....	1
8	01-1M6764-00001	Connection - Hood.....	1
9	01-1M7223-00002	Tube - Pressure Switch (12 In.) (Hood).....	1
10	01-1000V6-00396	Switch - Pressure, -.67" W.C. (Draft Inducer).....	1
11	01-1000V6-00387	Switch - Pressure, -.14" W.C. (Hood).....	1
12	01-1M6597-00001	Tube - Pressure Switch (40 In.) (Draft Inducer).....	1
13	01-1M7435-00001	Draft Inducer Assy. (Incls. Items 1 thru 6).....	1

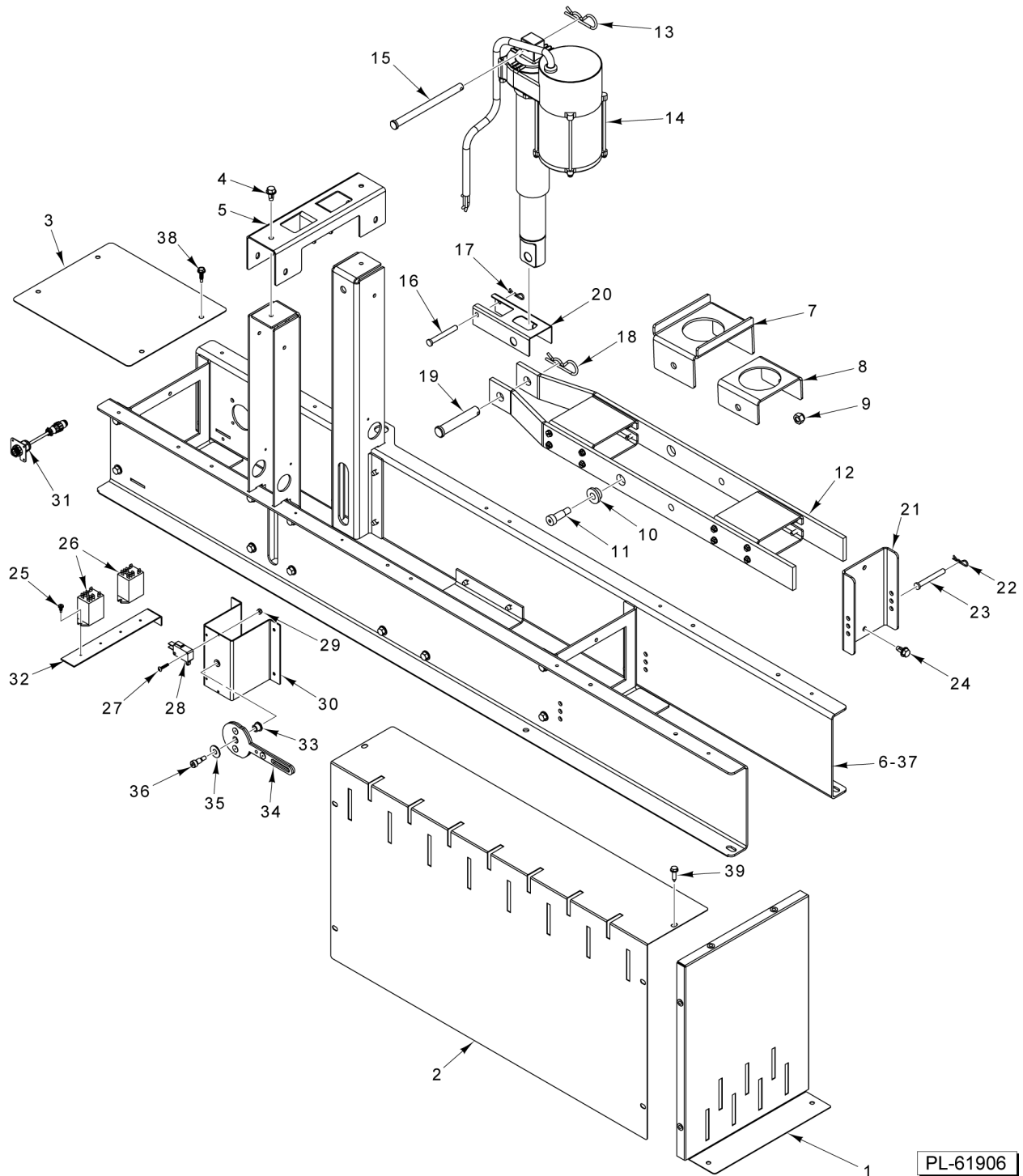


PL-61905

**JUNCTION BOX ASSEMBLY**

### JUNCTION BOX ASSEMBLY

ILLUS. PL-61905	PART NO.	NAME OF PART	AMT.
1	01-1000V4-00474	Screw 10-32 x 1/2 Hex Washer Hd. (Zinc).....	AR
2	01-1M7400-00403	Cover - Service Entrance.....	1
3	01-1M7400-00410	Cable (Lifter).....	1
4	01-1M7400-00004	Junction Box Assy. (Incls. Items 1, 2, 4 thru 7, & 10 thru 19).....	1
5	01-1M7400-00404	Cable (Main, 3 Phase).....	1
6	01-1M7400-00405	Cable (Main).....	1
7	01-1M7400-00406	Cable (Main, Single Phase).....	1
8	01-1M7400-00408	Cable (Solenoid).....	1
9	01-1M7400-00409	Cable (Blower).....	1
10	01-100V18-00115	Din Rail (9080-M H) (9 In.).....	1
11	01-1000V5-00396	Stop - End (Din Rail) (35mm).....	6
12	01-1000V5-00404	Block - Spring Terminal (End Cap) (2 Wire).....	3
13	01-1000V5-00402	Block - Spring Terminal (2 Wire Gray).....	9
14	01-1000V5-00403	Block - Spring Terminal (2 Wire Blue).....	5
15	01-1000V5-00397	Block - Spring Terminal (4 Wire Gray) (4 Wire/Gray).....	8
16	01-1000V5-00401	Jumper (3-Pole).....	1
17	01-1000V5-00399	Block - Spring Terminal (4 Wire Green/Yellow) (4 Wire/Ground).....	3
18	01-1000V5-00400	Block - Spring Terminal (End Cap) (4 Wire) (4 Wire/Gray).....	2
19	01-1M7400-00040	Junction Box Metal Assy.....	1

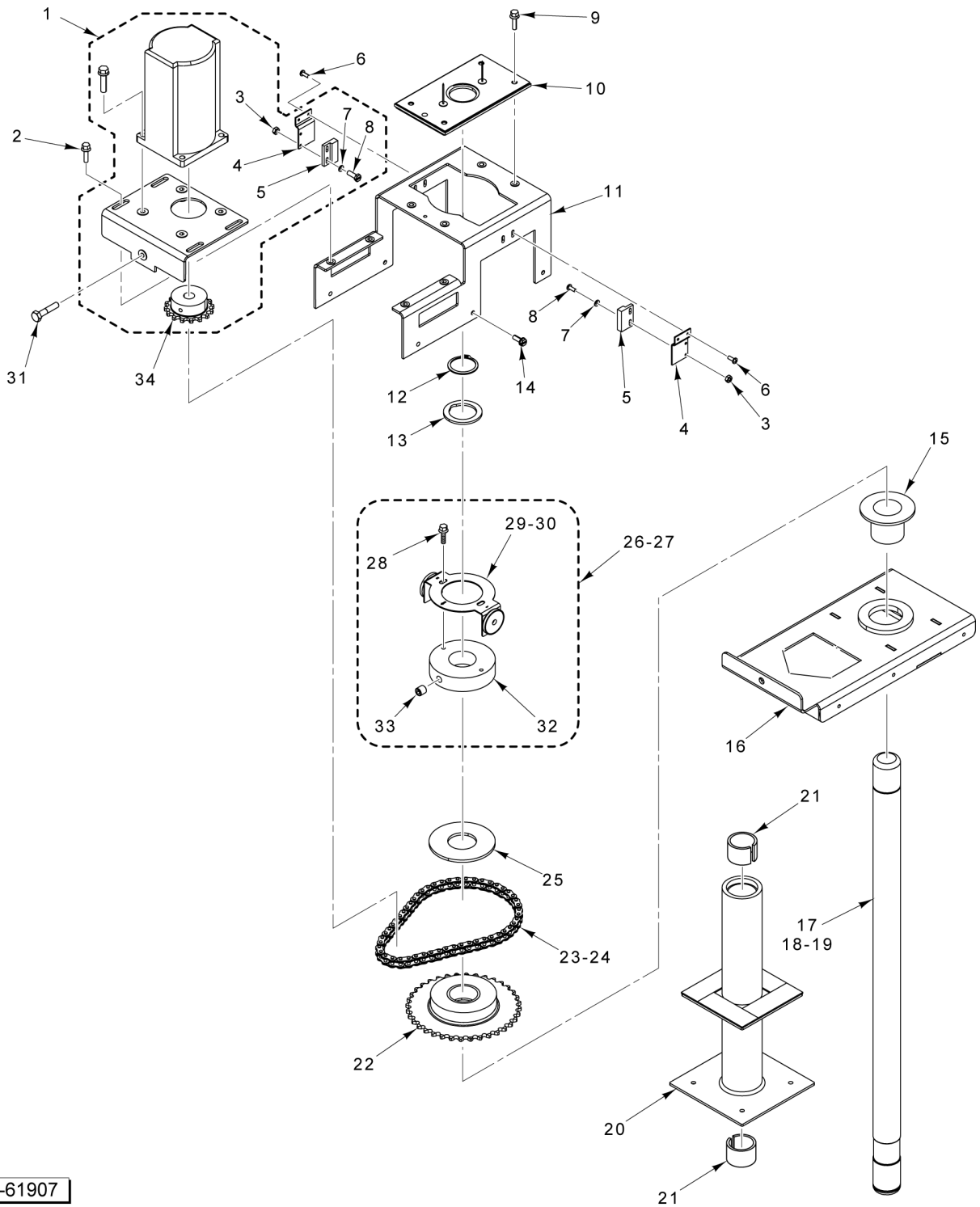


PL-61906

**LIFTER**

## LIFTER

ILLUS. PL-61906	PART NO.	NAME OF PART	AMT.
1	01-1M6608-00001	Cover - Front/Back.....	2
2	01-1M6608-00002	Cover - Side.....	2
3	01-1M6608-00003	Cover - Front.....	1
4	01-1000V4-00436	Screw 1/4-20 x 1/2 Hex Hd.....	6
5	01-1M7544-00101	Bracket - Support.....	1
6	01-1M7544-00001	Body - Rack Lift Assy.....	1
7	01-1M6601-00103	Support - Rotator.....	1
8	01-1M6601-00104	Support - Rotator.....	1
9	01-1000V4-00380	Nut 5/16-18 NYLOCK.....	2
10	01-1000V0-00121	Bearing.....	2
11	01-1000V4-00379	Bolt - Shoulder.....	2
12	01-1M6601-00001	Lifting Arm Assy.....	1
13	01-1000V1-0086A	Pin - Cotter.....	1
14	01-1M7699-00001	Kit - Actuator W/ Bracket (Incls. Item 20).....	1
15	01-1000V1-00108	Pin 3/8 x 5 In.....	1
16	01-1000V1-00087	Pin - Clevis (1/4 x 2 In.).....	1
17	01-1000V1-0087A	Pin.....	1
18	01-1000V1-0086A	Pin - Cotter.....	1
19	01-1000V1-00109	Pin - Clevis (1/2 x 2-3/4 In.).....	1
20	01-1M7698-00001	Bracket - Lift Actuator.....	1
21	01-1M6600-00203	Bracket - Support.....	1
22	01-1000V1-0087A	Pin.....	2
23	01-1000V1-00087	Pin - Clevis (1/4 x 2 In.).....	2
24	01-1000V4-00436	Screw 1/4-20 x 1/2 Hex Hd.....	2
25	01-1000V4-00510	Screw Mach. - Pan Head (6-20 x 0.375).....	4
26	01-1000V6-00271	Relay - D.P.D.T. (1/2 Hp., 120 VAC).....	2
27	01-1000V4-00461	Screw 4-40 x 5/8 (SST).....	4
28	01-1000V6-00343	Switch - Lever SPST.....	2
29	01-1000V4-00355	Nut.....	4
30	01-1M6603-00001	Bracket Assy. - Switch.....	1
31	01-1M6630-00004	Lift Switch Assy. (Incls. Items 25 thru 30).....	1
32	01-1M6600-00104	Bracket - Relay.....	1
33	01-1000V0-00139	Bearing - Flanged Sleeve.....	1
34	01-1M7551-00102	Cam - Lift Switch.....	1
35	01-1000V4-00433	Washer 1/4 In. (SST).....	1
36	01-1000V4-00572	Shoulder Screw, #10-32 X 3/8 Thread Length, .25 DIA X 3/8 Shoulder Length.....	1
37	01-1M7551-00003	Rack Lift Assy.....	1
38	01-1000V4-00426	Screw #10-16 x 3/4 Hex Hd. (Drill Tip) (SST).....	8
39	01-1000V4-00400	Cap Screw 10-32 x 3/4 Hex Hd. (SST).....	AR

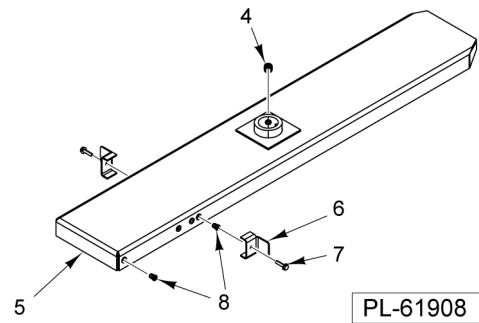
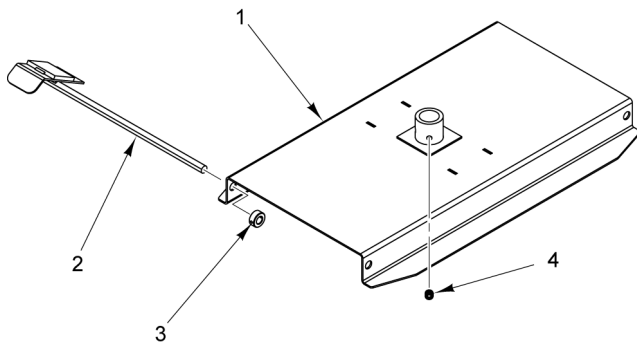


PL-61907

**ROTATOR**

## ROTATOR

ILLUS. PL-61907	PART NO.	NAME OF PART	AMT.
1	01-1M7318-00001	Rotation Motor Assy. (Incls. Items 3 thru 5, 7, 8, & 34).....	1
2	01-1000V4-00284	Screw 10-32 x 3/4 Hex Washer Hd., Serrated Flange (SST).....	4
3	01-1000V4-00586	Nut.....	4
4	01-1M6604-00106	Bracket - Rotate Switch.....	2
5	01-1M5777-00101	Switch (Magnetic).....	2
6	01-1000V4-00515	Screw - Sheet Metal, Pan Hd. 6-32 x 3/8 (Zinc).....	4
7	01-1000V4-00585	Flat Washer.....	4
8	01-1000V4-00584	Screw.....	4
9	01-1000V4-00284	Screw 10-32 x 3/4 Hex Washer Hd., Serrated Flange (SST).....	4
10	01-1M6606-00002	Shaft Alignment Assy.....	1
11	01-1M6604-00201	Bracket - Mounting.....	1
12	01-1000V1-00085	Snap Ring.....	1
13	01-1M6704-00001	Shim - Carrier (Height Adjustment).....	1
14	01-1000V4-00385	Screw - Sheet Metal, Hex Hd. 10-16 x 3/4 (SST).....	6
15	01-1000V0-00114	Bearing - Flange.....	1
16	01-1M6605-00001	Rotator - Lifter.....	1
17	01-1M6773-00101	Shaft - Rotator (A Style) (With Hole for Pin).....	1
18	01-1M6604-00105	Shaft - Rotator (B Style).....	1
19	01-1M6604-00305	Shaft - Rotator (C Style).....	1
20	01-1M6662-00001	Housing - Shaft (Incls. Item 21).....	1
21	01-1M7464-00001	Kit - Bearing (Shaft Housing).....	1
22	01-1M6610-00001	Sprocket - Rotator.....	1
23	01-1000V3-0087A	Chain - Roller 20-1/8 In.....	1
24	01-1000V3-00088	Link - Connecting.....	AR
25	01-1M6604-00104	Clutch - Slide.....	1
26	01-1M6629-00003	Magnet Switch Assy. (One Magnet) (C Style) (Incls. Items 28 thru 30, 32, & 33).....	1
27	01-1M6629-00004	Magnet Switch Assy. (Two Magnets) (B & C Style) (Incls. Items 28 thru 30, 32, & 33) .....	1
28	01-1000V4-00284	Screw 10-32 x 3/4 Hex Washer Hd., Serrated Flange (SST).....	2
29	01-1M6880-00003	Pointer Assy. (One Magnet) (C Style).....	1
30	01-1M6880-00004	Pointer Assy. (Two Magnets) (B Style).....	1
31	01-1000V4-00564	Screw, Sheet Metal Hex Hd. W/ Washer 1/4-20 x 1 (SST).....	1
32	01-1M6604-00103	Collar, Set - Rotator.....	1
33	01-1000V4-00161	Screw, Set - Allen (3/8-16).....	1
34	01-1000V3-00114	Sprocket (17T).....	1



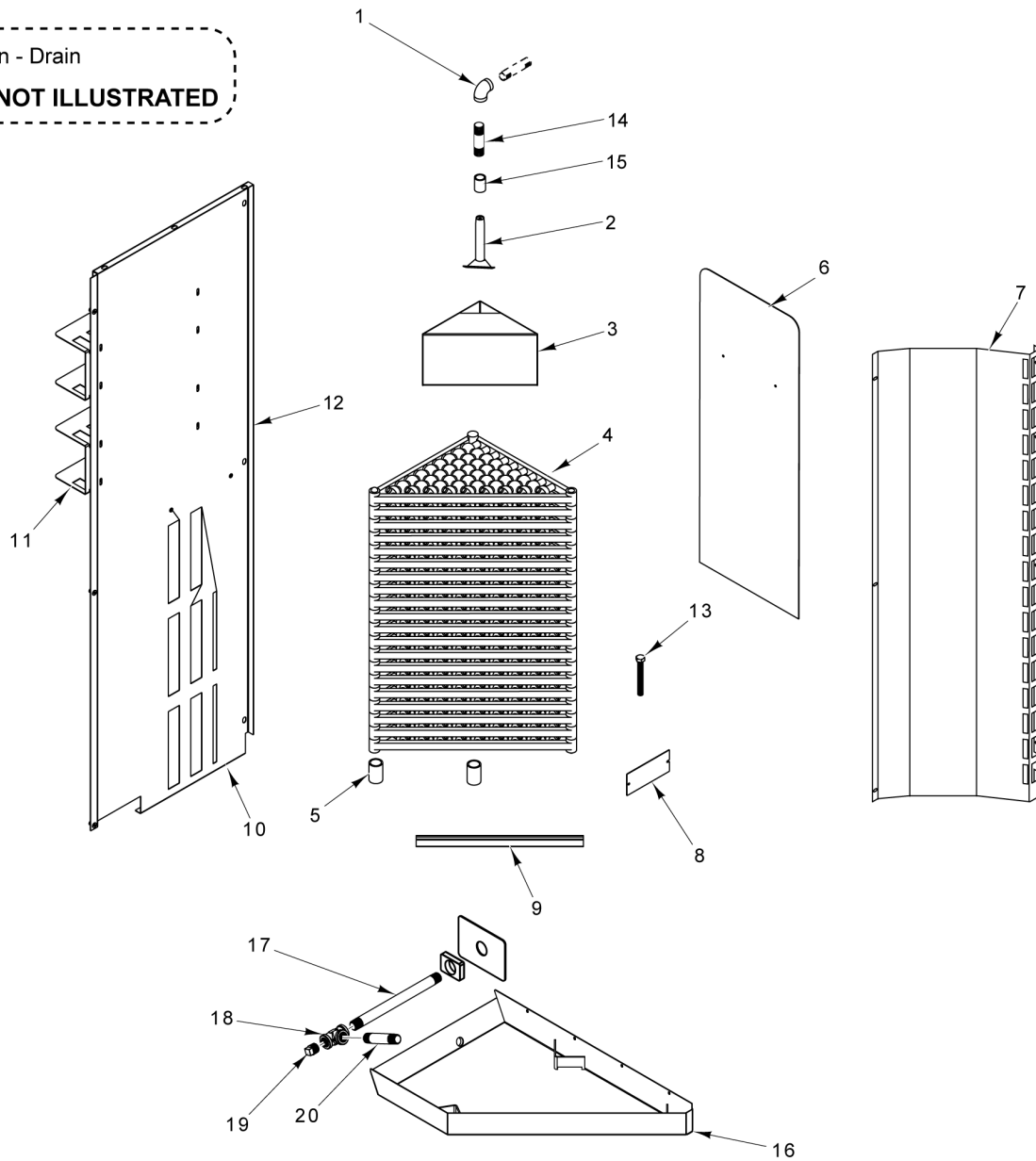
PL-61908

### CARRIER

**CARRIER**

<b>ILLUS.</b>	<b>PART NO.</b>	<b>NAME OF PART</b>	<b>AMT.</b>
	<b>PL-61908</b>		
1	01-1M7630-00001	Carrier (B Style) (Single Rack) (15.60 in wide) (Incls. Items 2, 3, & 4).....	1
2	01-1M2580-00002	Stop - Rack Carrier (B Style Carrier).....	2
3	01-1000V1-00013	Collar - Set 1/2 In. Dia.....	4
4	01-1000V4-00654	Screw - Set 3/8-24 x 3/8 (Knurled Tip) (Knurled Tip).....	2
5	01-1M6770-00005	Carrier (C Style) (Single Rack) (Incls. Items 4, & 6 thru 8).....	1
6	01-1M4862-00201	Stop - Rack Carrier (C Style Carrier).....	2
7	01-1000V4-00284	Screw 10-32 x 3/4 Hex Washer Hd., Serrated Flange (SST).....	2
8	01-1000V4-00121	Insert - Threaded 10-32 Hex.....	6

21 Pan - Drain  
PART NOT ILLUSTRATED

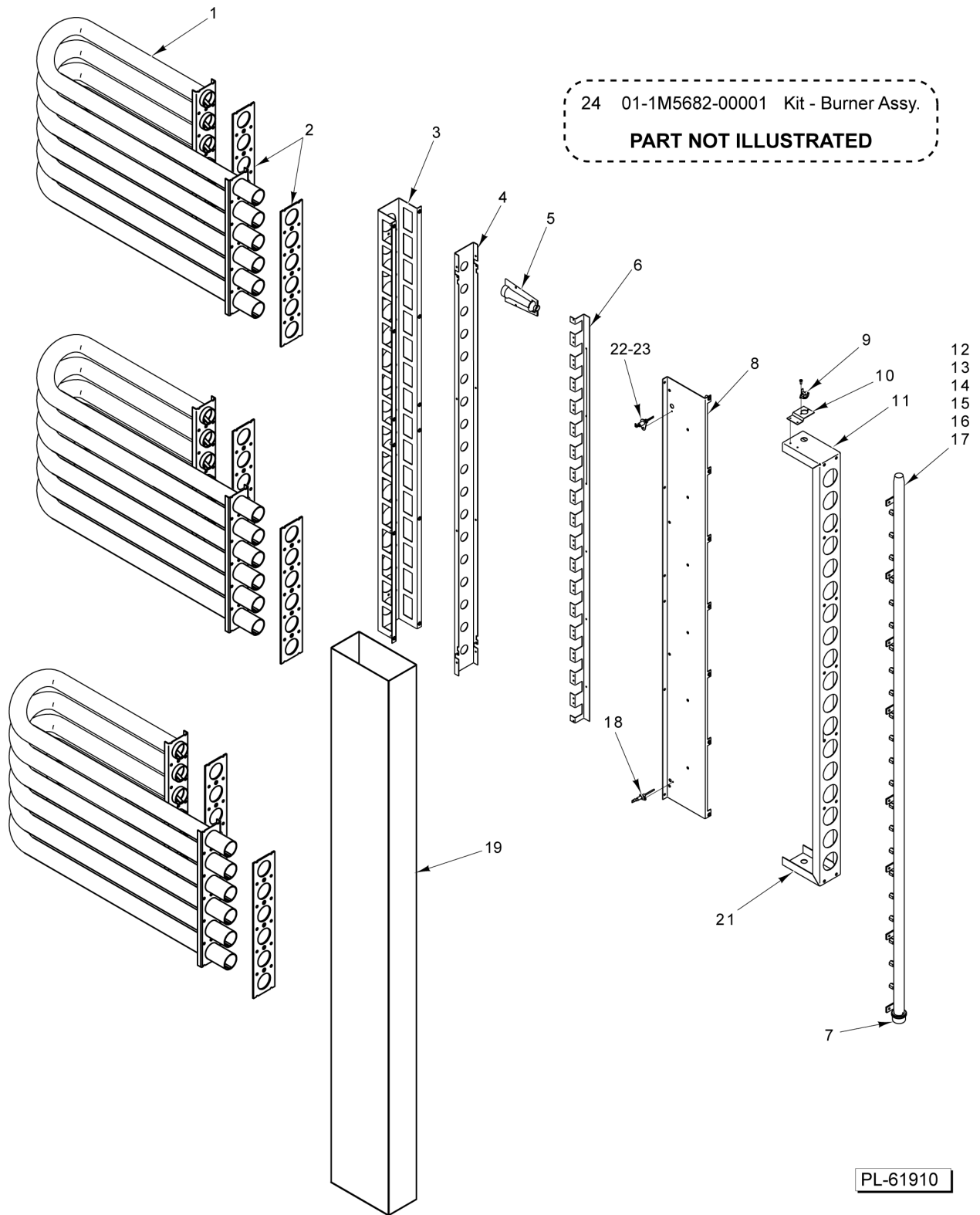


PL-61909

**STEAMER ASSEMBLY**

### STEAMER ASSEMBLY

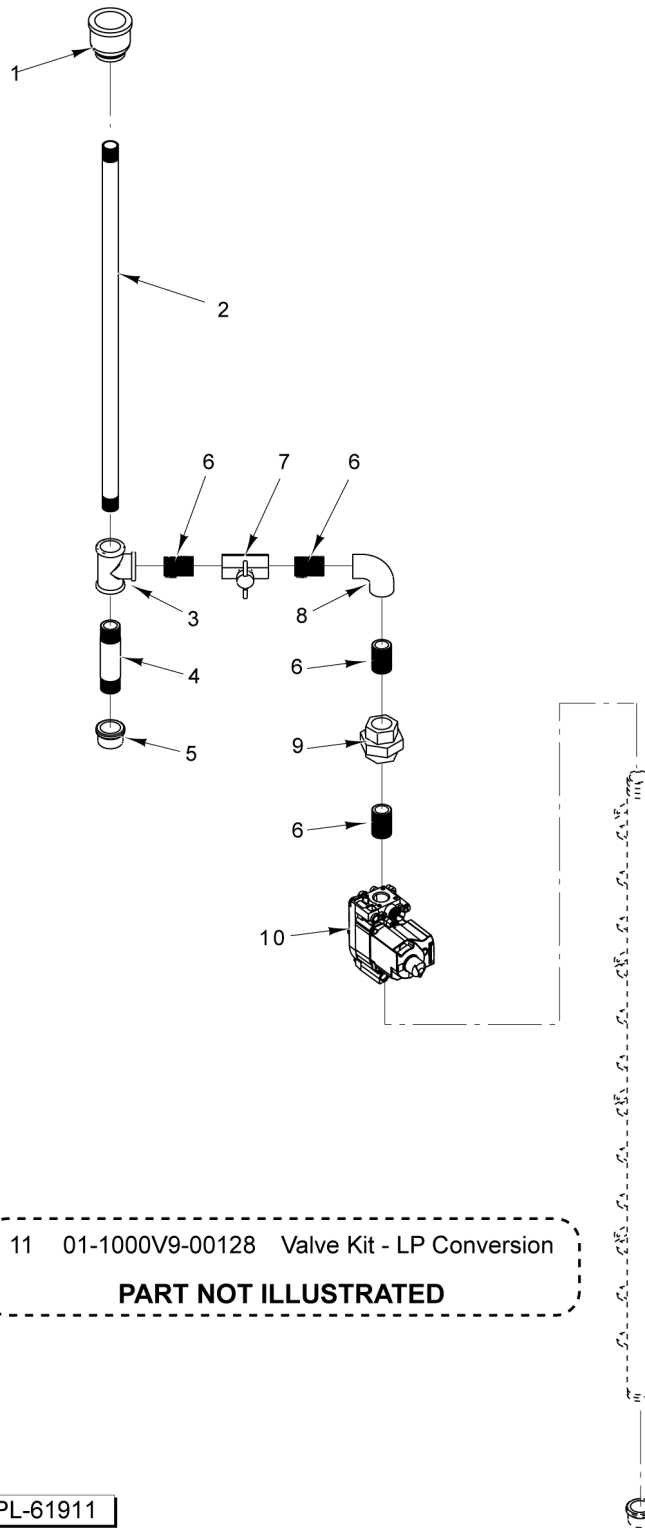
ILLUS. PL-61909	PART NO.	NAME OF PART	AMT.
1	01-100V17-00347	Elbow 1/2 In. x 90 Deg. (SST).....	1
2	01-1M7100-00001	Sprayer - Steam Manifold.....	1
3	01-1M7065-00001	Angle, Steamer Box.....	1
4	01-100V16-00529	Casting - Steamer.....	20
5	01-1M5536-00001	Support - Steamer Castings.....	2
6	01-1M6325-00003	Sheet - Splash.....	1
7	01-1M5474-00001	Panel - Steamer.....	1
8	01-1M5446-00002	Plate - Steam Loader Bolt Cover.....	1
9	01-1M5065-00001	Bracket - Water Guide.....	AR
10	01-1M6965-00001	Panel - Steamer (Rear).....	1
11	01-1M6966-00001	Baffle.....	2
12	01-1M6967-00001	Panel Assy. (Heat Exchanger) (Incls Items 9 & 10).....	1
13	01-1M2161-00001	Screw - Leveler.....	1
14	01-100V17-00533	Pipe 6-1/2 x 1/2 (SST).....	1
15	01-100V17-00183	Coupler 1/2 In. (SST).....	1
16	01-1M7619-00001	Pan - Drain.....	1
17	01-1M7672-00001	Kit - Front Drain.....	1
18	01-100V17-00860	Tee 1/2 NPT (SST).....	1
19	01-100V17-00766	Plug - 1/2 NPT.....	1
20	01-100V17-00859	Pipe 1/2 NPT x 5 (SST).....	1
21	01-1M5429-00001	Pan - Drain.....	1



**GAS BURNER AND HEAT CIRCULATION**

### GAS BURNER AND HEAT CIRCULATION

ILLUS. PL-61910	PART NO.	NAME OF PART	AMT.
1	01-100V16-01174	Heat Exchanger Assy. (6-Dimpled Tube).....	3
2	01-100V16-00530	Gasket - Heat Exchanger.....	6
3	01-1M6080-00001	Channel - Hat Burner Rack Assy.....	1
4	01-1M5467-00001	Plate - Firing (Burner Rack).....	1
5	01-1000V9-00146	Burner - In-Shot (Crossover).....	18
6	01-1M5465-00001	Mount - Burner.....	1
7	01-100V17-00472	Cap - Pipe 3/4.....	1
8	01-1M5464-00001	Plate - Side (Burner Rack).....	1
9	01-1000V9-00150	Switch - Flame Rollout (350 F.).....	1
10	01-1M5373-00001	Bracket - Switch Mount.....	1
11	01-1M5468-00001	Enclosure - Burner Rack.....	1
12	01-1000V9-00174	Orifice #53 (0.059 In.) (NAT).....	1
13	01-1000V9-00175	Orifice #63 (0.037 In.) (LP).....	1
14	01-1000V9-00183	Orifice (0.052 Dia.) (Above 6,500 Ft.) (NAT).....	1
15	01-1000V9-00184	Orifice (0.033 Dia.) (Above 6,500 Ft.) (PRO).....	1
16	01-100V16-00610	Manifold Assy. - Gas Supply (NAT).....	1
17	01-100V16-00618	Manifold Assy. - Gas Supply (LP).....	1
18	01-1000V9-00169	Rod - Flame Sensor.....	1
19	01-1M5472-00001	Collector - Weldment.....	1
21	01-1M5463-00001	Box - Burner Assy. (Incls. Items 4, 5, 6, & 8).....	1
22	01-100V10-00359	Cable - Supression, Spark Igniter (54 In.).....	1
23	01-1000V9-00201	Ignitor - Burner Spark.....	1
24	01-1M5682-00001	Kit - Burner Assy. (Incls. Items 4 thru 6 & 8 thru 11).....	1

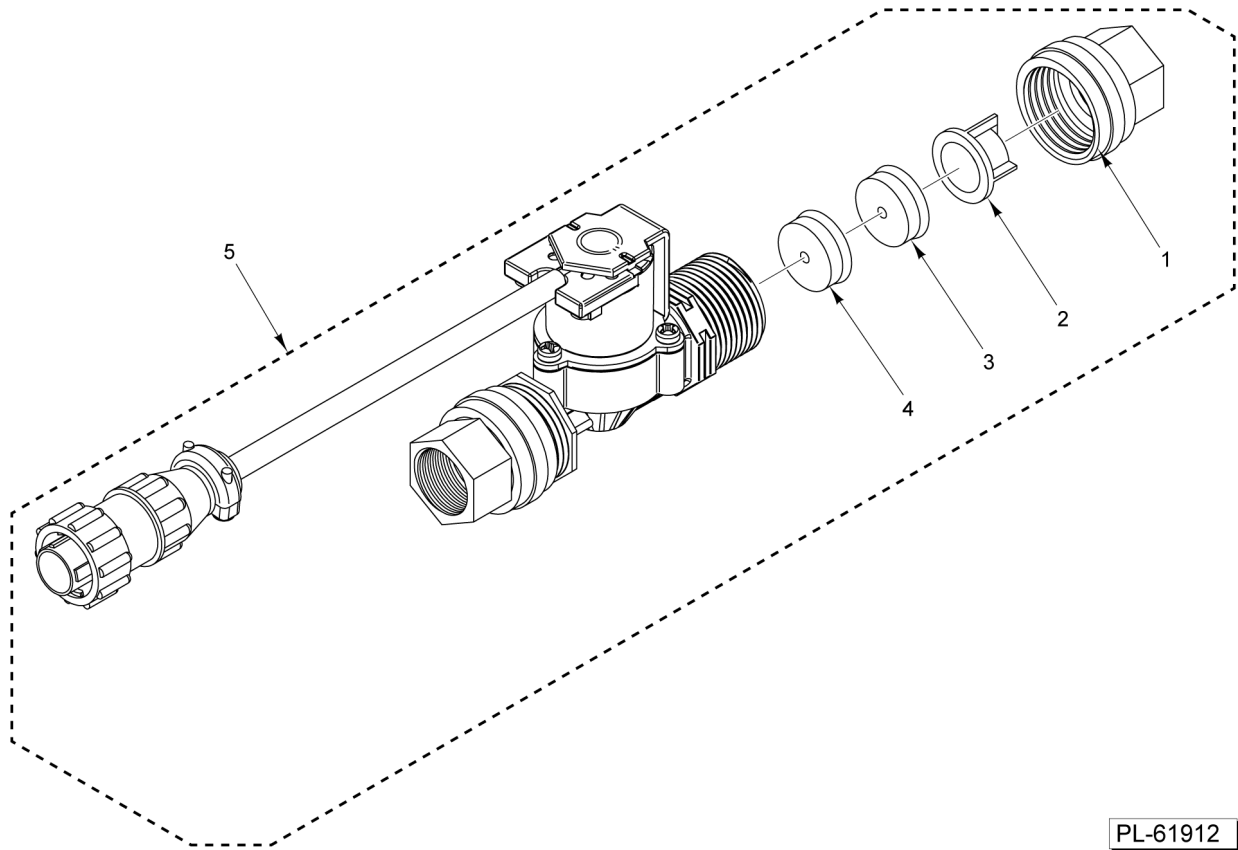


**GAS SUPPLY PLUMBING**

**GAS SUPPLY PLUMBING**

ILLUS.	PART NO.	NAME OF PART	AMT.
PL-61911			
1	01-100V17-00577	Bell - Reducer.....	1
2	01-100V17-00576	Pipe (3/4 In. x 23 In.).....	1
3	01-100V17-00451	Tee 3/4 NPT x 3/4 NPT.....	1
4	01-100V17-00575	Pipe (3/4 In. x 4 In.).....	AR
5	01-100V17-00472	Cap - Pipe 3/4.....	1
6	FP-036-92	Pipe 3/4 x 1-3/8 TBE (Black).....	4
7	01-100V17-00169	Valve - Shut Off, Gas 3/4 NPT.....	1
8	01-100V17-00513	Elbow - Pipe 90 Deg. x 3/4 NPT (Black).....	1
9	01-100V17-00470	Union 3/4 NPT BLK #150.....	1
*10	01-1000V9-00160	Valve - Gas (Gas Valve Only) (3/4 In.) (NAT).....	1
11	01-1000V9-00128	Kit - LP Conversion.....	1

\* Use with Item 11 for LP



PL-61912

### EXTERIOR WATER SUPPLY

**EXTERIOR WATER SUPPLY**

<b>ILLUS.</b>	<b>PART NO.</b>	<b>NAME OF PART</b>	<b>AMT.</b>
<b>PL-61912</b>			
1	01-100V17-00830	Adapter - Hose to Pipe 3/4 GHTF x 1/2 NPTF.....	1
2	01-100V17-00838	Filter - Solenoid Valve.....	1
3	01-100V17-00840	Restrictor - Flow (White 3 GPM) (Double Rack Oven).....	1
4	01-100V17-00839	Restrictor - Flow (Brown 2 GPM) (Single Rack Oven).....	1
*5	01-1M7494-00001	Kit - Water Solenoid (Incls. Items 1 thru 4).....	1

\* No Restrictor Used on Panera Bread Double Rack Ovens

