

HOBART701 S Ridge Avenue, Troy, OH 45374
1-888-4HOBART • www.hobartservice.com**WATER TREATMENT SYSTEMS -
BEVERAGE & ICE APPLICATIONS****HOBART WATER TREATMENT SYSTEMS BEVERAGE & ICE APPLICATIONS****STANDARD FEATURES**

- Model TO-10 SINGLE.** Beverage and Ice water treatment system with a capacity of 10,000 gallons and a service flow rate of 1.65gpm. Applications include Ice machines, Coffee, Tea, Espresso and Hot water dispensers, and Soda dispensing equipment. Replacement cartridge is model TO-10.
- Model TOS-10 SINGLE.** Beverage and Ice water treatment system with a capacity of 10,000 gallons and a service flow rate of 1.65gpm. Applications include Ice machines, Coffee, Tea, Espresso and Hot water dispensers, and Soda dispensing equipment. Replacement cartridge is model TOS-10.
- Model TO-20 SINGLE.** Beverage and Ice water treatment system with a capacity of 14,000 gallons and a service flow rate of 2.00gpm. Applications include Ice machines, Coffee, Tea, Espresso and Hot water dispensers, and Soda dispensing equipment. Replacement cartridge is model TO-20.
- Model TOS-20 SINGLE.** Beverage and Ice water treatment system with a capacity of 14,000 gallons and a service flow rate of 2.00gpm. Applications include Ice machines, Coffee, Tea, Espresso and Hot water dispensers, and Soda dispensing equipment. Replacement cartridge is model TOS-20.
- Model TO-10 TWIN.** Beverage and Ice water treatment system with a capacity of 20,000 gallons and a service flow rate of 3.30gpm. Applications include Ice machines, Coffee, Tea, Espresso and Hot water dispensers, and Soda dispensing equipment. Replacement cartridges are (2) model TO-10.
- Model TOS-10 TWIN.** Beverage and Ice water treatment system with a capacity of 20,000 gallons and a service flow rate of 3.30gpm. Applications include Ice machines, Coffee, Tea, Espresso and Hot water dispensers, and Soda dispensing equipment. Replacement cartridges are (2) model TOS-10.
- Model TO-20 TWIN.** Beverage and Ice water treatment system with a capacity of 28,000 gallons and a service flow rate of 4.00gpm. Applications include Ice machines, Coffee, Tea, Espresso and Hot water dispensers, and Soda dispensing equipment. Replacement cartridges are (2) model TO-20.

MODELS

- TO-10 SINGLE**
- TOS-10 SINGLE**
- TO-20 SINGLE**
- TOS-20 SINGLE**
- TO-10 TWIN**
- TOS-10 TWIN**
- TO-20 TWIN**
- TOS-20 TWIN**
- TO-10 TRIPLE**
- TOS-10 TRIPLE**
- TO-20 TRIPLE**
- TOS-20 TRIPLE**
- TO-10 QUAD**
- TOS-10 QUAD**
- TO-20 QUAD**
- TOS-20 QUAD**

Specifications, Details and Dimensions on Inside and Back.



Component

The SS-10 and SS-XL are tested and certified by NSF International against NSF/ANSI Standard 42 for material requirements only.

**Model TOS-20 TWIN**

WATER TREATMENT SYSTEMS - BEVERAGE & ICE APPLICATIONS



701 S Ridge Avenue, Troy, OH 45374
1-888-4HOBART • www.hobartservice.com

STANDARD FEATURES *(Continued)*

- ❑ **Model TOS-20 TWIN.** Beverage and Ice water treatment system with a capacity of 28,000 gallons and a service flow rate of 4.00gpm. Applications include Ice machines, Coffee, Tea, Espresso and Hot water dispensers, and Soda dispensing equipment. Replacement cartridges are (2) model TOS-20.
- ❑ **Model TO-10 TRIPLE.** Beverage and Ice water treatment system with a capacity of 30,000 gallons and a service flow rate of 5.00gpm. Applications include Ice machines, Coffee, Tea, Espresso and Hot water dispensers, and Soda dispensing equipment. Replacement cartridges are (3) model TO-10.
- ❑ **Model TOS-10 TRIPLE.** Beverage and Ice water treatment system with a capacity of 30,000 gallons and a service flow rate of 5.00gpm. Applications include Ice machines, Coffee, Tea, Espresso and Hot water dispensers, and Soda dispensing equipment. Replacement cartridges are (3) model TOS-10.
- ❑ **Model TO-20 TRIPLE.** Beverage and Ice water treatment system with a capacity of 42,000 gallons and a service flow rate of 6.00gpm. Applications include Ice machines, Coffee, Tea, Espresso and Hot water dispensers, and Soda dispensing equipment. Replacement cartridges are (3) model TO-20.
- ❑ **Model TOS-20 TRIPLE.** Beverage and Ice water treatment system with a capacity of 42,000 gallons and a service flow rate of 6.00gpm. Applications include Ice machines, Coffee, Tea, Espresso and Hot water dispensers, and Soda dispensing equipment. Replacement cartridges are (3) model TOS-20.
- ❑ **Model TO-10 QUAD.** Beverage and Ice water treatment system with a capacity of 40,000 gallons and a service flow rate of 6.65gpm. Applications include Ice machines, Coffee, Tea, Espresso and Hot water dispensers, and Soda dispensing equipment. Replacement cartridges are (4) model TO-10.
- ❑ **Model TOS-10 QUAD.** Beverage and Ice water treatment system with a capacity of 40,000 gallons and a service flow rate of 6.65gpm. Applications include Ice machines, Coffee, Tea, Espresso and Hot water dispensers, and Soda dispensing equipment. Replacement cartridges are (4) model TOS-10.
- ❑ **Model TO-20 QUAD.** Beverage and Ice water treatment system with a capacity of 56,000 gallons and a service flow rate of 8.00gpm. Applications include Ice machines, Coffee, Tea, Espresso and Hot water dispensers, and Soda dispensing equipment. Replacement cartridges are (4) model TO-20.
- ❑ **Model TOS-20 QUAD.** Beverage and Ice water treatment system with a capacity of 56,000 gallons and a service flow rate of 8.00gpm. Applications include Ice machines, Coffee, Tea, Espresso and Hot water dispensers, and Soda dispensing equipment. Replacement cartridges are (4) model TOS-20.
- TOS Series Protect beverage and ice machines with the HydroBlend™ compound which are designed to reduce scale deposits, provide scale prevention, and provide corrosion control. TO and TOS series cartridges both provide sediment and chlorine reduction. Both series utilize compression-molded high-capacity carbon block technology providing high chlorine reduction capacities at high flow rates.
- Quick disconnect cartridges allow for easy replacement.
- Maximum operating temperature of 100°F
- Exterior dimensions: (WxHxD): refer to chart on page 4.
- Operating Pressure Minimum/Maximum: 20psi / 100psi
- Connection size: refer to system specifications below.
- Bracket and fittings needed for installation included with system.

FEATURES

Hobart Beverage & Ice Water Treatment Systems are designed to protect Ice machines, Coffee, Tea, Espresso, Hot Water Dispensers, and Soda Dispensing Equipment. They are ideal for reducing existing scale deposits, scale prevention, corrosion control, chlorine reduction, sediment reduction, and are unaffected by high temperatures. They incorporate a bayonet quick disconnect mount, allowing for easy replacement. Each model comes standard with the bracket and fittings needed for installation included with the systems.



701 S Ridge Avenue, Troy, OH 45374
1-888-4HOBART • www.hobartservice.com

WATER TREATMENT SYSTEMS - BEVERAGE & ICE APPLICATIONS

SPECIFICATIONS

System Specifications:

1. TO-10 SINGLE/TOS-10 SINGLE

- Dimensions (wxhxd): 4½" x 15" x 4½"
- Service flow rate: 1.65 gpm
- Operating Pressure (Min./Max.): 20 psi/100 psi
- Max Operating Temperature: 100°F
- Micron Rating designed for: 10
- Connection size: ⅜"

2. TO-20 SINGLE/TOS-20 SINGLE

- Dimensions (wxhxd): 4½" x 15" x 4½"
- Service flow rate: 2.00 gpm
- Operating Pressure (Min./Max.): 20 psi/100 psi
- Max Operating Temperature: 100°F
- Micron Rating designed for: 10
- Connection size: ⅜"

3. TO-10 TWIN/TOS-10 TWIN

- Dimensions (wxhxd): 15" x 19" x 5½"
- Service flow rate: 3.30 gpm
- Operating Pressure (Min./Max.): 20 psi/100 psi
- Max Operating Temperature: 100°F
- Micron Rating designed for: 10
- Connection size: ½"

4. TO-20 TWIN/TOS-20 TWIN

- Dimensions (wxhxd): 15" x 26" x 5½"
- Service flow rate: 4.00 gpm
- Operating Pressure (Min./Max.): 20 psi/100 psi
- Max Operating Temperature: 100°F
- Micron Rating designed for: 10
- Connection size: ½"

5. TO-10 TRIPLE/TOS-10 TRIPLE

- Dimensions (wxhxd): 19" x 19" x 5½"
- Service flow rate: 5.00 gpm
- Operating Pressure (Min./Max.): 20 psi/100 psi
- Max Operating Temperature: 100°F
- Micron Rating designed for: 10
- Connection size: ½"

6. TO-20 TRIPLE/TOS-20 TRIPLE

- Dimensions (wxhxd): 19" x 26" x 5½"
- Service flow rate: 6.00 gpm
- Operating Pressure (Min./Max.): 20 psi/100 psi
- Max Operating Temperature: 100°F
- Micron Rating designed for: 10
- Connection size: ½"

7. TO-10 QUAD/TOS-10 QUAD

- Dimensions (wxhxd): 23" x 19" x 5½"
- Service flow rate: 6.65 gpm
- Operating Pressure (Min./Max.): 20 psi/100 psi
- Max Operating Temperature: 100°F
- Micron Rating designed for: 10
- Connection size: ½"

8. TO-20 QUAD/TOS-20 QUAD

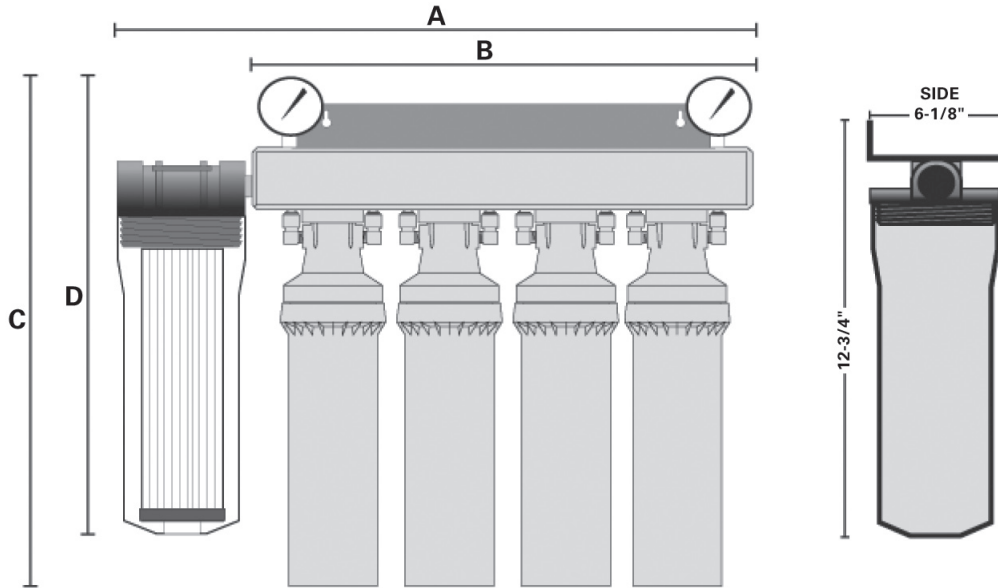
- Dimensions (wxhxd): 23" x 26" x 5½"
- Service flow rate: 8.00 gpm
- Operating Pressure (Min./Max.): 20 psi/100 psi
- Max Operating Temperature: 100°F
- Micron Rating designed for: 10
- Connection size: ½"

WATER TREATMENT SYSTEMS - BEVERAGE & ICE APPLICATIONS



701 S Ridge Avenue, Troy, OH 45374
1-888-4HOBART • www.hobartservice.com

SPECIFICATIONS (Continued)



Model #	A	B	C	D
TO/TOS-10 Single	na	4.5"	15"	na
TO/TOS-20 Single	na	4.5"	20"	na
TO/TOS-10 Twin	14.25"	9.5"	18.75"	na
TO/TOS-20 Twin	14.25"	9.5"	na	25"
TO/TOS-10 Triple	18.25"	13.5"	18.75"	na
TO/TOS-20 Triple	18.25"	13.5"	na	25"
TO/TOS-10 Quad	22.25"	17.5"	18.75"	na
TO/TOS-20 Quad	22.25"	17.5"	na	25"

As continued product improvement is a policy of Hobart, specifications are subject to change without notice.