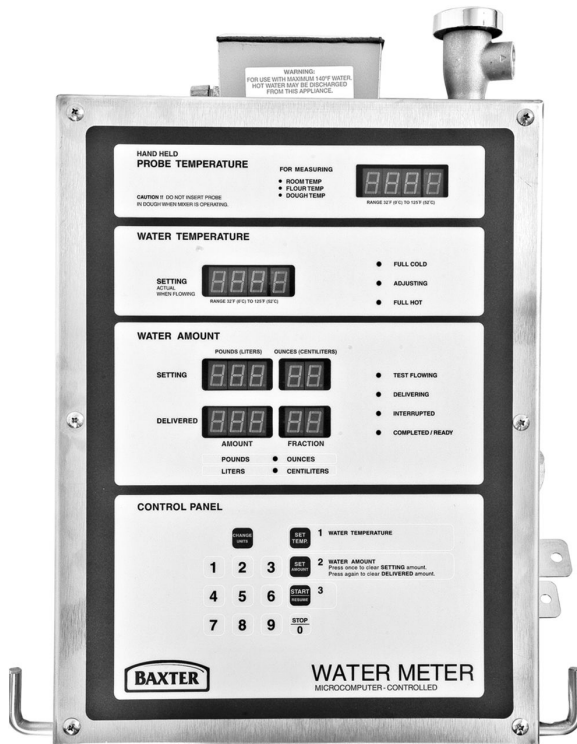




# CATALOG OF REPLACEMENT PARTS



## WATER METERS

### ML-132120 SP600W

3/1/01 to 1/3/05      Standard Controls  
1/3/05 to 10/6/09    Advanced Controls

### ML-132392 SP600WC

1/3/05 to 10/6/09    Advanced Controls

### ML-132179 HWM

3/1/01 to 1/3/05      Standard Controls  
1/3/05 to 10/6/09    Advanced Controls

### ML-132393 HWMC

1/3/05 to 10/6/09    Advanced Controls

### ML-132392 WM600

10/6/09 to 10/14/21   Advanced Controls

### ML-132393 WM600C

10/6/09 to 10/14/21   Advanced Controls

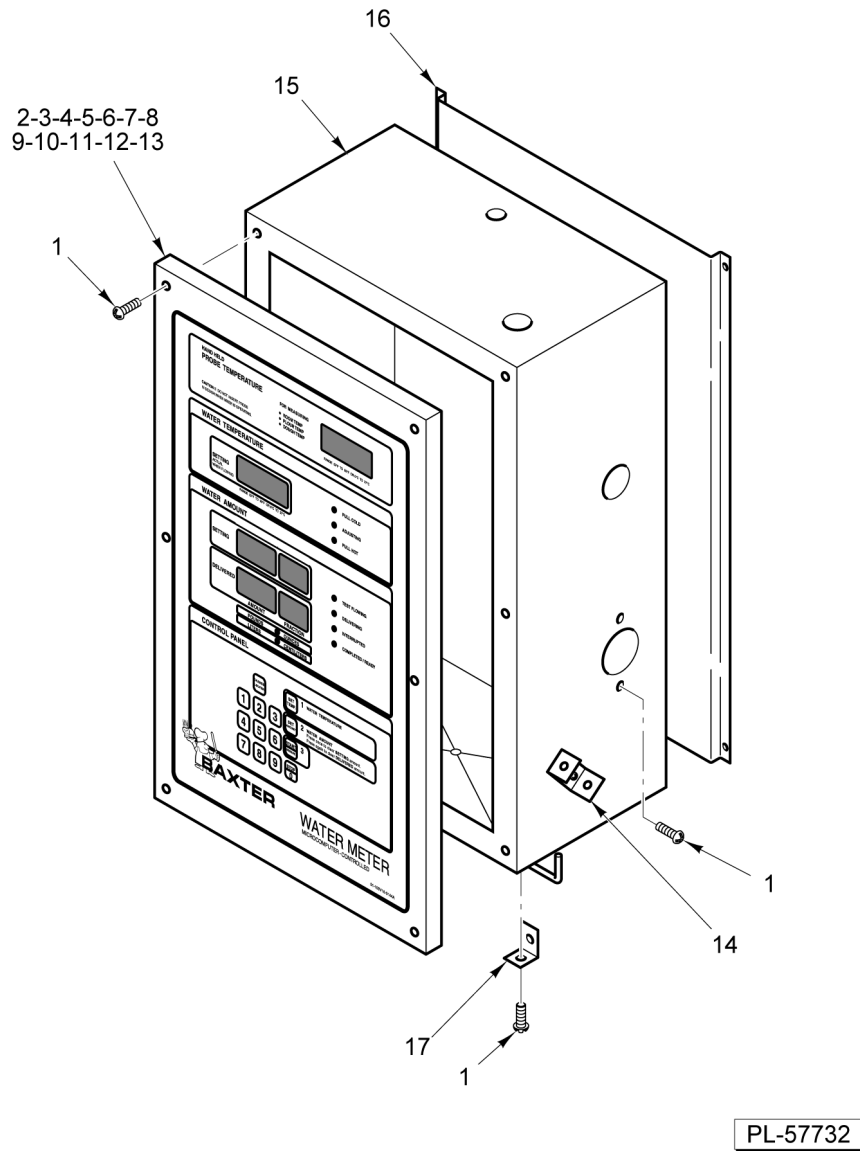
### ML-132580 WM600/WM600C

After 10/14/21      Advanced Controls



**Table of Contents**

5 WATER METER COVER  
7 WATER METER PIPING  
9 ELECTRICAL COMPONENTS (ML-132120 & ML-132179)(BEFORE 1/3/05)  
11 ELECTRICAL COMPONENTS (AFTER 1/3/05) (ML-132120, ML-132179,  
ML-132392, ML-132393, & ML-132580)

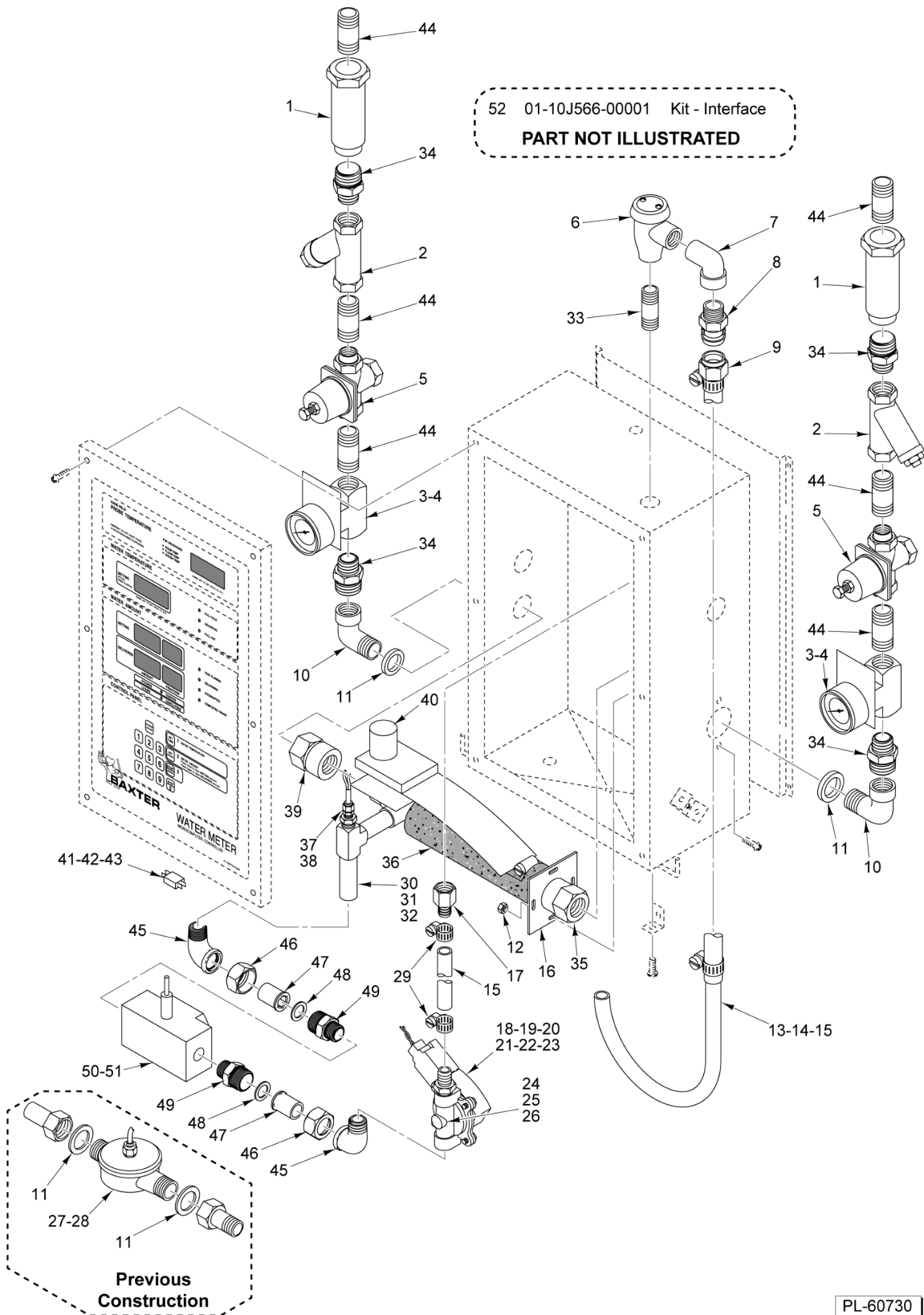


**WATER METER COVER**

**WATER METER COVER**

ILLUS. PL-57732	PART NO.	NAME OF PART	AMT.
1	01-1000V4-00412	Mach. Screw 10-32 x 1/2 Phil. Truss Hd. (SST).....	AR
*2	01-10J410-00003	Cover - Water Meter Assy. (W/O Chiller) (Unbranded) (Incls. PCB, Overlay, & Keypad) (No Longer Available).....	1
*3	01-10J410-00006	Cover - Water Meter Assy. (W/Chiller) (Unbranded) (Incls. PCB, Overlay, & Keypad) (No Longer Available).....	1
*4	01-100V16-0144H	Label - Overlay (Unbranded) (Can be used on Baxter or Hobart Units).....	1
**5	01-10J665-00009	Kit - Control Panel Cover (Baxter) (Incls. PCB & Overlay with Keypad).....	1
**6	01-10J410-00010	Cover - Water Meter Assy. (Dunkin Donuts) (ML-132392) (Dunkin Donuts) (Incls. PCB & Overlay with Keypad) (No Longer Available).....	1
**7	01-10J410-00011	Cover - Water Meter Assy. (Hobart) (Incls. PCB & Overlay with Keypad) (No Longer Available).....	1
**8	01-100V16-0615H	Label - Overlay (Hobart).....	1
**9	01-100V16-0615A	Label - Overlay (Baxter).....	1
**10	01-10J666-00001	Kit - Control Board (Water Meter).....	1
*11	01-10J459-00001	Key Pad Replacement Assy.....	1
**12	01-10J459-00002	Key Pad Replacement Assy.....	1
*13	01-1000V5-00274	Cable - Adapter (Use with Item 11 on old style Key Pad).....	1
14	01-10J386-00001	Bracket (Temperature Probe Holder).....	AR
15	01-10J407-00001	Box - Weldment (Complete).....	1
16	01-10J318-00001	Bracket - Mounting.....	1
17	01-10J351-00001	Clip - Mount.....	1

\* (Units Built Before 1/3/05 Including ML-132120 & ML-132179)  
 \*\* (Units Built After 1/3/05 Including ML-132120, ML-132179, ML-132392,  
 ML-132393, & ML-132580)



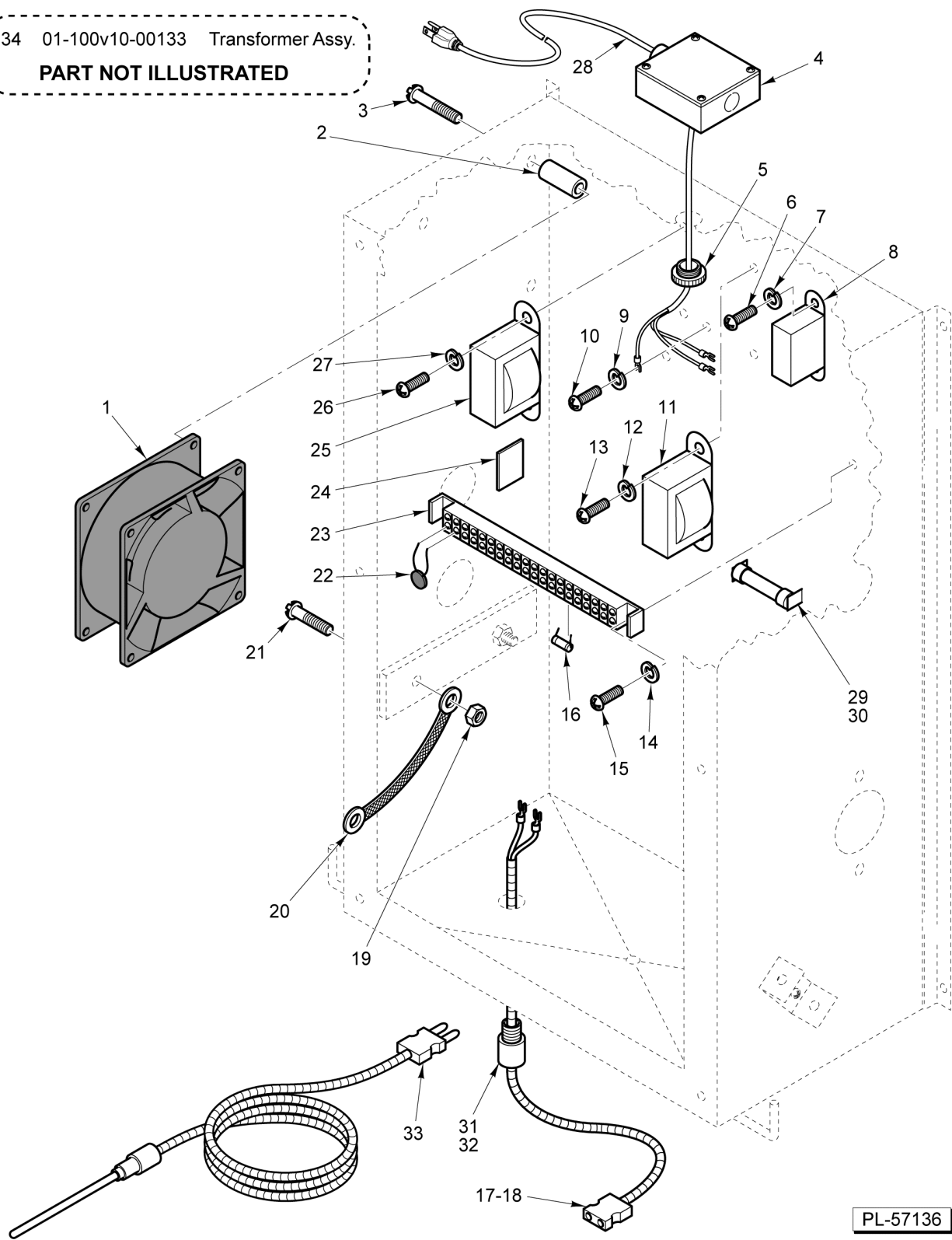
**WATER METER PIPING**

**WATER METER PIPING**

ILLUS. PL-60730	PART NO.	NAME OF PART	AMT.
1	01-100V17-00349	Valve - Dual Check.....	2
2	01-100V17-00275	Strainer (Y).....	2
3	01-10J385-00001	Pressure Gauge & Tee Assy.....	2
4	01-100V17-00204	Gauge - Pressure 1/4 NPTM (0-100 PSI).....	2
5	01-100V17-00330	Regulator - Pressure 1/2 NPT.....	2
6	01-100V17-00333	Vacuum Breaker.....	1
7	01-100V17-00758	Elbow - Street (1/2" NPTM x 1/2" NTPF).....	1
8	01-100V17-00493	NLA - Obsolete--Coupler - Quick Disconnect (1/2 Male) (ML-132120, ML-132179) .....	1
9	01-100V17-00494	Coupler - Quick Disconnect (1/2 Female) (ML-132120, ML-132179).....	1
10	01-100V17-00352	Elbow 3/4 Street (Brass).....	2
11	01-100V16-00155	Washer - Fiber.....	4
12		Nut 10-32 Hex Nylock.....	2
13	01-10J343-00001	Hose - Dispensing (8 Ft.) (Standard) (Incls. Item 15).....	1
14	01-10J343-00002	Hose - Dispensing (20 Ft.) (Standard) (Incls. Item 15).....	1
15	01-100V17-00816	Tubing - Antimicrobial, Clear PVC (5/8" ID / 7/8" OD) (Sold per Ft.).....	AR
16	01-10J421-00001	Plate - Anti-Rotation.....	1
17	01-100V17-00338	NLA - Obsolete--Fitting - Barb Hose 1/2 x 5/8 (Brass).....	1
*18	01-10J423-00004	Solenoid Pipe Assy. (W/O Chiller) (Nut & Union).....	1
*19	01-10J423-00005	Solenoid Pipe Assy. (W/Chiller) (Nut & Union).....	1
**20	01-10J423-00007	Solenoid Pipe Assy. (Units Built 1/3/05 thru 10/6/14).....	1
**21	01-10J423-00008	Solenoid Pipe Assy. (Units Built 1/3/05 thru 10/6/14).....	1
22	01-10J423-00018	Solenoid Pipe Assy. (Units Built After 10/6/14).....	1
**23	01-10J423-00010	Solenoid Pipe Assy. (Units Built After 10/6/14).....	1
*24	01-10J423-00006	Solenoid Pipe Assy. (W/Chiller) (Union & Male Half).....	1
25	00-749874-00001	Solenoid (1/4) (Units Built After 3/15/01).....	AR
26	01-100V17-00274	Valve - Solenoid Water (2-Way) (120 V.) (1/2 In.) (Units Built Before 3/15/01).....	AR
*27	01-10J460-00001	Sensor - Flow Assy. (154 PPG) (No Longer Available).....	1
**28	01-10J460-00002	Sensor - Flow Assy. (154 PPG) (No Longer Available, Use Item 50).....	1
29	01-1000V1-00033	Clamp - Band.....	2
*30	01-10J422-00012	Mixer Valve Pipe Assy. (W/O Chiller & W/Chiller).....	1
**31	01-10J422-00014	Mixer Valve Pipe Assy. (W/O Chiller & W/Chiller).....	1
***32	01-10J422-00015	Mixer Valve Assy. (W/O Chiller & W/Chiller).....	1
33	01-100V17-00155	Nipple, 1/2" Dia. x 2" L (316 SST).....	1
34	01-100V17-00634	Nipple - Reducing 3/4 x 1/2 In. NPTM.....	4
35	01-10J420-00001	NLA - Obsolete--Tailpiece (RH).....	1
36	01-10J405-00001	NLA - Obsolete--Insulator - Pipe.....	1
*37	01-10J422-00101	Probe - Temperature (Internal).....	1
**38	01-10J422-00102	NLA - Obsolete--Probe - Temperature (Internal) (ML-132392).....	1
39	01-10J419-00001	NLA - Obsolete--Tailpiece (LH).....	1
40	01-1000V8-00059	Gear - Motor (12 VDC) (45 RPM).....	1
41	01-10J592-00001	Switch Plate Assy. (Incls. Item 44) (Units Built Before 10/6/14).....	1
42	01-10J592-00002	Switch Plate Assy. (Incls. Item 44) (Units Built After 10/6/14).....	1
43	01-10J429-00001	Switch Assy.....	2
44	01-100V17-00756	Nipple 1/2 In. NPTM.....	6
***45	01-100V17-00758	Elbow - Street (1/2" NPTM x 1/2" NTPF).....	2
***46	01-10J415-00001	Nut.....	2
***47	01-10J414-00001	Pipe - Flanged.....	2
***48	01-100V16-00155	Washer - Fiber.....	2
***49	01-100V17-00634	Nipple - Reducing 3/4 x 1/2 In. NPTM.....	2
***50	01-10J460-00003	Sensor - Flow (658 PPG).....	1
**51	01-10J664-00001	Kit - Flow Sensor (Incls. Items 45 thru 50).....	1
52	01-10J566-00001	Kit - Interface (W/Chiller) (No Longer Available).....	1

\* (Units Built Before 1/3/05 Including ML-132120 & ML-132179)  
 \*\* (Units Built Between 1/3/05 and 10/14/21 Including ML-132120, ML-132179, ML-132392 & ML-132393)  
 \*\*\* (Units Built after 10/14/21 Including ML-132580)

34 01-100v10-00133 Transformer Assy.  
**PART NOT ILLUSTRATED**



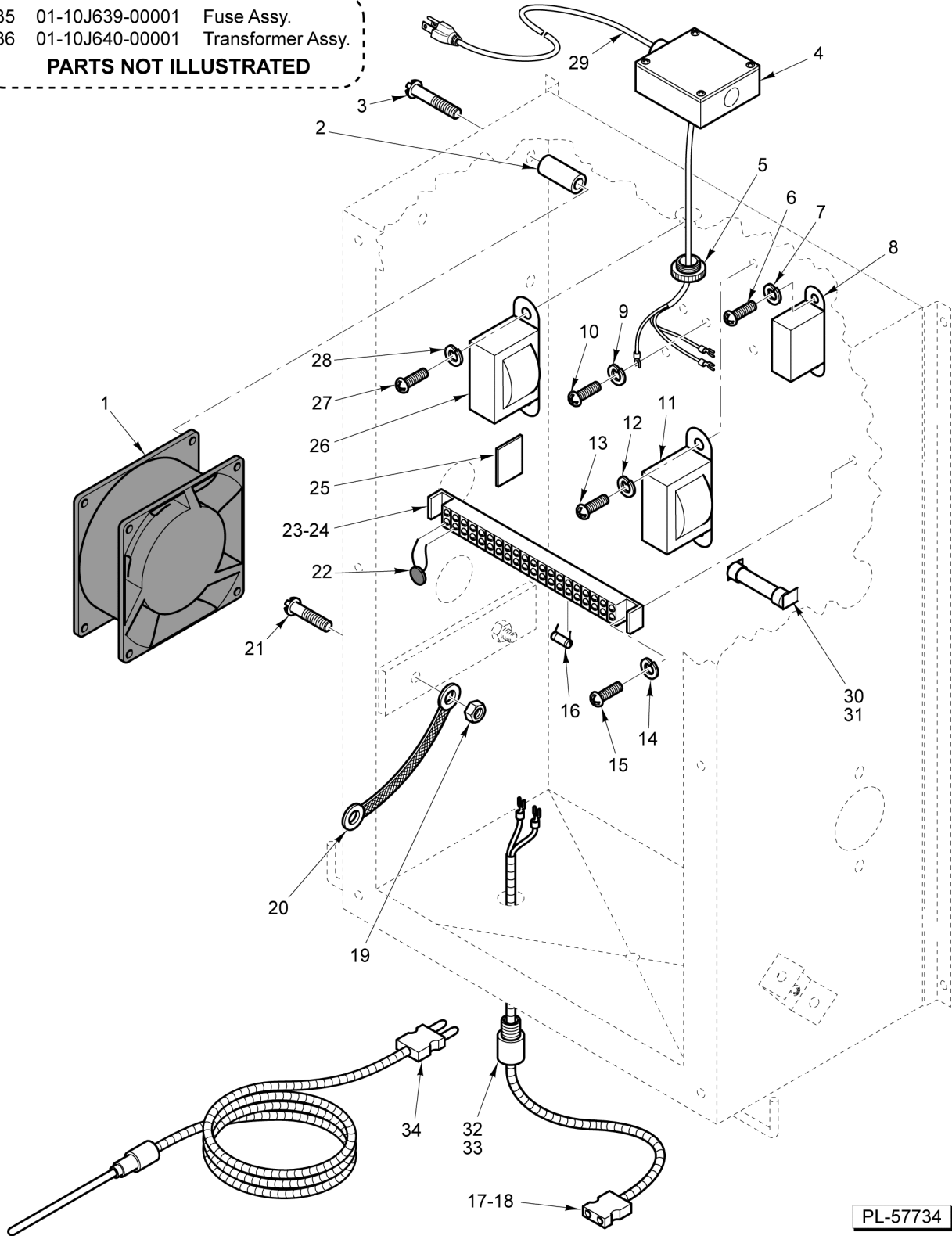
PL-57136

**ELECTRICAL COMPONENTS  
 (ML-132120 & ML-132179)(BEFORE 1/3/05)**

**ELECTRICAL COMPONENTS  
(ML-132120 & ML-132179)(BEFORE 1/3/05)**

ILLUS. PL-57136	PART NO.	NAME OF PART	AMT.
1	01-10J446-00001	Fan.....	1
2	01-1000V5-00160	Spacer - Nylon.....	3
3		Mach. Screw 10-32 x 3/4 Truss Hd.....	3
4	01-10J595-00001	NLA - Obsolete--Box - Junction.....	1
5	01-100V11-00102	Pipe - Bushed Chase (1/2 NPT).....	1
6		Mach. Screw 6-32 x 1/2 Rd. Hd.....	2
7		Lockwasher.....	2
8	01-10J395-00001	Relay Assy.....	1
9		Lockwasher.....	1
10		Mach. Screw 6-32 x 1/2 Rd. Hd.....	1
11	01-100V10-00110	Transformer - Primary.....	1
12		Lockwasher.....	2
13		Mach. Screw 6-32 x 1/2 Rd. Hd.....	2
14		Lockwasher.....	2
15		Mach. Screw 6-32 x 1/2 Rd. Hd.....	2
16	01-100V23-00R93	Resistor.....	1
17	01-10J581-00001	NLA - Obsolete--Thermistor - Extension Cord (Bottom).....	1
18	01-10J581-00002	Thermistor - Extension Cord (Side).....	1
19		Nut 1/4-20 Hex Nylock.....	2
20	01-10J444-00001	Strap - Ground.....	1
21		Mach. Screw 1/4-20 x 1/2 Truss Hd.....	2
22	01-10J631-00001	Suppressor.....	1
23	01-1000V5-00112	Terminal Block.....	1
24	01-1000V5-00023	Pad - Mounting.....	2
25	01-100V10-00110	Transformer - Primary.....	1
26		Mach. Screw 6-32 x 1/2 Rd. Hd.....	2
27		Lockwasher.....	2
28	01-10J580-00001	NLA - Obsolete--Cord - Power.....	1
29	01-100V10-00232	Fuse Holder (30 Amp.).....	1
30	01-100V10-00241	Fuse (1 Amp.).....	1
31	01-100V11-00079	Relief - Strain (1/2 Straight).....	1
32	01-100V11-00051	Relief - Strain (1/2 x 90 Deg.).....	1
33	01-100V10-00097	Probe - Temperature.....	1
34	01-100V10-00133	NLA - Obsolete--Transformer Assy. (External) (220 V. Primary to 115 V. Secondary) .....	1

- 35 01-10J639-00001 Fuse Assy.  
 36 01-10J640-00001 Transformer Assy.  
**PARTS NOT ILLUSTRATED**



PL-57734

**ELECTRICAL COMPONENTS  
 (AFTER 1/3/05)  
 (ML-132120, ML-132179, ML-132392, ML-132393, & ML-132580)**

**ELECTRICAL COMPONENTS  
(AFTER 1/3/05)  
(ML-132120, ML-132179, ML-132392, ML-132393, & ML-132580)**

ILLUS. PL-57734	PART NO.	NAME OF PART	AMT.
1	01-10J446-00002	Fan.....	1
2	01-1000V5-00160	Spacer - Nylon.....	3
3		Mach. Screw 10-32 x 3/4 Truss Hd.....	3
4	01-10J595-00002	NLA - Obsolete--Box - Junction.....	1
5	01-100V11-00102	Pipe - Bushed Chase (1/2 NPT).....	1
6		Mach. Screw 6-32 x 1/2 Rd. Hd.....	2
7		Lockwasher.....	2
8	01-10J395-00002	NLA - Obsolete--Relay Assy.....	1
9		Lockwasher.....	1
10		Mach. Screw 6-32 x 1/2 Rd. Hd.....	1
11	01-100V10-00231	Transformer - Primary.....	1
12		Lockwasher.....	2
13		Mach. Screw 6-32 x 1/2 Rd. Hd.....	2
14		Lockwasher.....	2
15		Mach. Screw 6-32 x 1/2 Rd. Hd.....	2
16	01-100V23-00R93	Resistor.....	1
17	01-10J581-00003	Thermistor - Extension Cord (Bottom).....	1
18	01-10J581-00004	NLA - Obsolete--Thermistor - Extension Cord (Side).....	1
19		Nut 1/4-20 Hex Nylock.....	2
20	01-10J444-00001	Strap - Ground.....	1
21		Mach. Screw 1/4-20 x 1/2 Truss Hd.....	2
22	01-100V23-00SU1	Suppressor.....	1
23	01-1000V5-00105	Strip - Terminal.....	20
24	01-1000V5-00106	Strip End - Terminal.....	1
25	01-1000V5-00023	Pad - Mounting.....	2
26	01-100V10-00231	Transformer - Primary.....	1
27		Mach. Screw 6-32 x 1/2 Rd. Hd.....	2
28		Lockwasher.....	2
29	01-10J580-00002	Cord - Power.....	1
30	01-100V10-00232	Fuse Holder (30 Amp.).....	1
31	01-100V10-00241	Fuse (1 Amp.).....	1
32	01-100V11-00079	Relief - Strain (1/2 Straight).....	1
33	01-100V11-00051	Relief - Strain (1/2 x 90 Deg.).....	1
34	01-100V10-00097	Probe - Temperature.....	1
35	01-10J639-00001	Fuse Assy.....	1
36	01-10J640-00001	NLA - Obsolete--Transformer Assy. (External) (220 V. Primary to 115 V. Secondary) .....	1

