

*Deliming Your AM Door Type for Optimal Results*

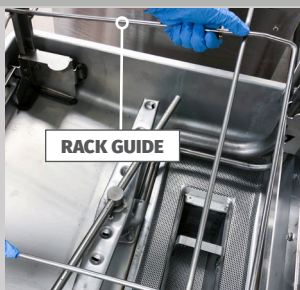
Hobart AM15 models are equipped with a delime notification that will appear on the display when deliming is recommended for the machine. This notification must be field activated during installation and start-up to properly set up delime intervals.



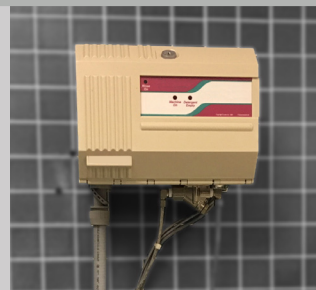
If the optional delime notification is activated and the **DELIME** light is on, follow the instructions below. Deliming is also necessary if limescale deposits are visible inside or outside the machine. This process can be completed at any time, at the operator's discretion.

**PREPARING Your AM Door Type Washer for the Delime Cycle**

**1 OPEN DOOR AND REMOVE RACK GUIDE** from the machine.



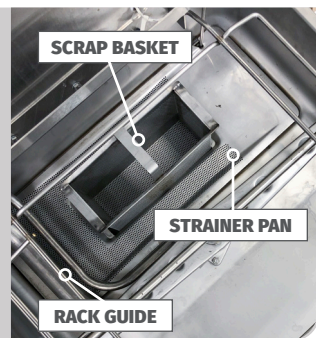
**2 ⚠️ DISABLE THE DETERGENT FEEDER** chemical system according to the chemical manufacturer's recommendation. This will prevent the addition of detergent during the deliming operation.



**3 REMOVE SCRAP BASKET AND STRAINER PAN** from the machine and clean under warm soapy water, removing any food soils; rinse thoroughly.



**4 REINSTALL CLEANED STRAINER PAN, SCRAP BASKET AND RACK GUIDE** into the machine and close the door.



**How to INITIATE the Delime Cycle**

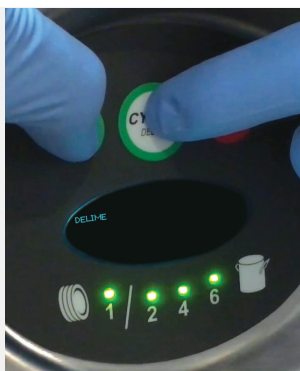
**1 LOCATE YOUR DELIMING CHEMICAL** (provided by your chemical supplier) for manual dosing into the tank, when prompted.



**2 DRAIN THE TANK** by lifting up the drain lever near the back of the tank. Press the OFF button on the control panel.



**3 PRESS AND HOLD CYCLE AND ON** buttons simultaneously for 3 seconds. Close the door. The machine will fill, and **"ADD DELIME"** will appear on the display.



**4 OPEN THE DOOR** Pour deliming chemical into the tank per supplier instructions for a 14 gallon tank.



**5 CLOSE DOOR, PUMP STARTS AND DISPLAY FLASHES "DELIME"**. After 12 minutes display scrolls **"DRAIN"**. When finished, drain the tank first, then power off before returning to normal operation.



**6 OPEN THE DOOR AND CHECK THE MACHINE INTERIOR.** Repeat steps 4-6 to run additional cycles if necessary.

