



Project \_\_\_\_\_  
 AIA # \_\_\_\_\_ SIS # \_\_\_\_\_  
 Item # \_\_\_\_\_ Quantity \_\_\_\_\_ C.S.I. Section 114000



DEALERS CHOICE PREP TABLES

## UPT SERIES

Compact Sandwich Prep Tables with  
 Raised Cover/Self-Contained  
 UPT 27" Wide Models



### STANDARD PRODUCT FEATURES

- High Quality Stainless Steel Exterior Top, Sides & Doors
- Durable, Corrosion Resistant Anodized Aluminum Interior
- Provides NSF Standard 7 Performance, Even With 6" Deep Pans
- Standard Work Height 34-3/8" on 4" casters
- Environmentally Friendly, Non-Flammable R-450A Refrigerant
- Top Cut-Outs Accommodate Sixth Size Pans (divider bars and 4" deep plastic sixth size pans provided)
- Reinforced Pan Ledge (holds pans securely level)
- Removable Stainless Steel Insulated Pan Cover & Pivoting Lid
- Reversible, Full Length White Nylon Cutting Board
- Self-Closing Stainless Steel Doors with Stay Open Feature at 105 Degrees
- Guaranteed for Life Workflow Door Handle
- Interior Mounted Thermometer
- Two (2) Powder Coated Steel Shelves Per Door, Mounted on Adjustable Pilasters
- Set of Four (4) 4" Casters
- Magnetic Snap-In EZ Clean Door Gasket(s)
- 3-Year Parts & Labor Warranty
- 2-Year Additional Compressor Parts Warranty



This unit is listed to the applicable UL, CSA and NSF Standards by an approved NRTL. Consult the factory or unit's data plate for approval information.

### AVAILABLE CONFIGURATIONS

27", 32", 48", 60" & 72" Wide Models

**Model**

UPT276  
 UPT279

**Model Type**

27" Wide 6 Pan Model  
 27" Wide 9 Pan Model

### ACCESSORIES & OPTIONS (\*field installed)

- CK20 (four 6" (15.2 cm) high casters for 27" models)
- CK24 (four 3-1/2" (8.9 cm) high casters for 27" models)
- CK26 (four 2-3/4" (6.9 cm) high casters for 27" models)
- CK28 (four 2-1/2" (6.4 cm) high casters for 27" models)
- CUACC-LEGSET4 (four 6" (15.24 cm) high legs for 27" models)
- Shelf CPW1 (additional shelf for 27" models)
- Optional accessory kits shipped separately for field installation

### Factory Installed Options

Stainless Steel Finished Back \* Other Door Hinging

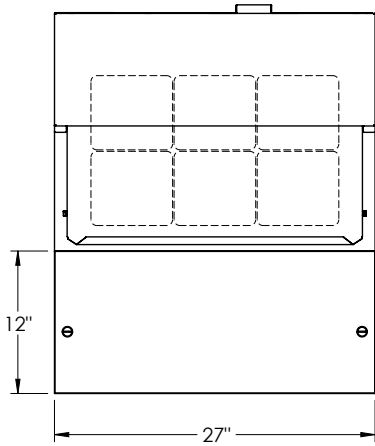
CONTINUED PRODUCT DEVELOPMENT MAY NECESSITATE SPECIFICATION CHANGES WITHOUT NOTICE.

Approved by \_\_\_\_\_ Date \_\_\_\_\_ Approved by \_\_\_\_\_ Date \_\_\_\_\_

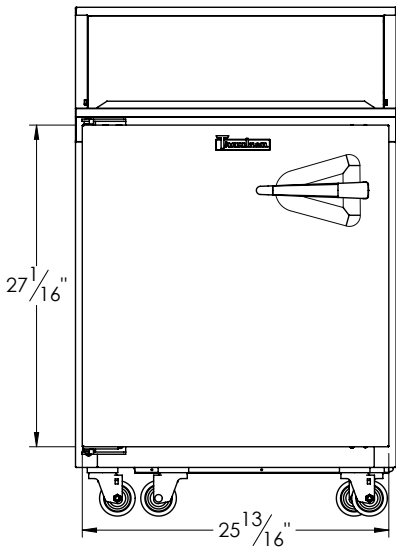


MODELS:  
UPT276

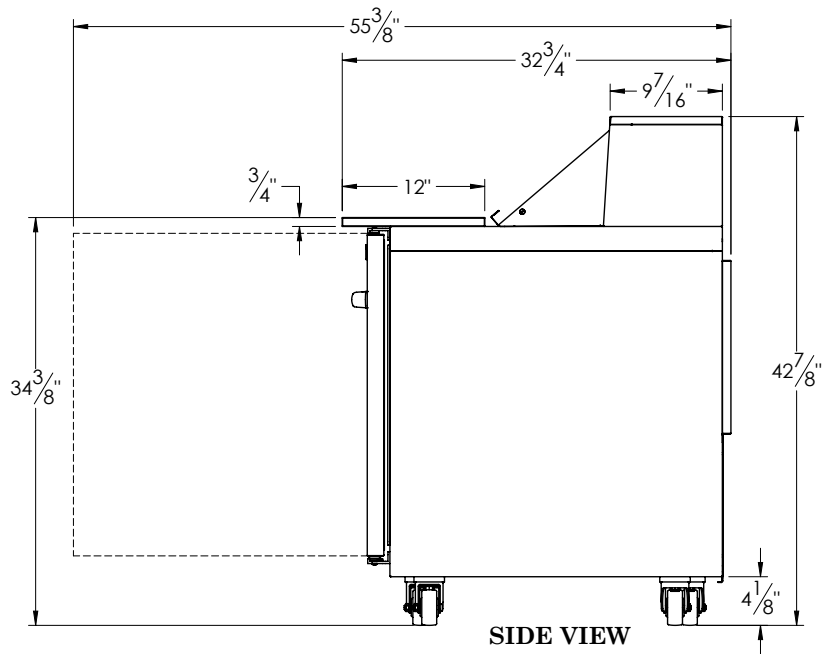
CLICK   
**TRANSFER**  
For KCL CADalog Website



TOP VIEW



ELEVATION

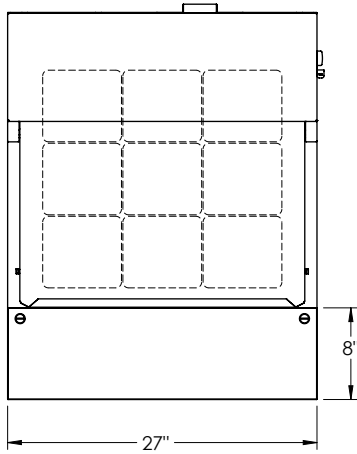


SIDE VIEW

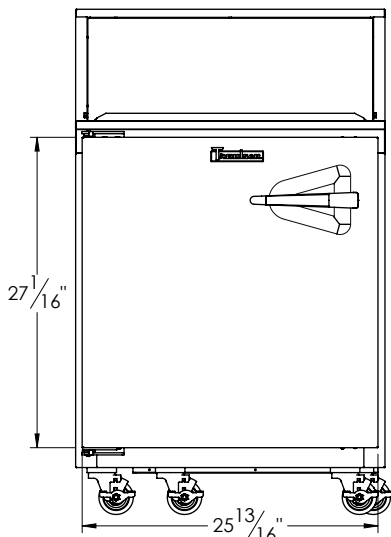
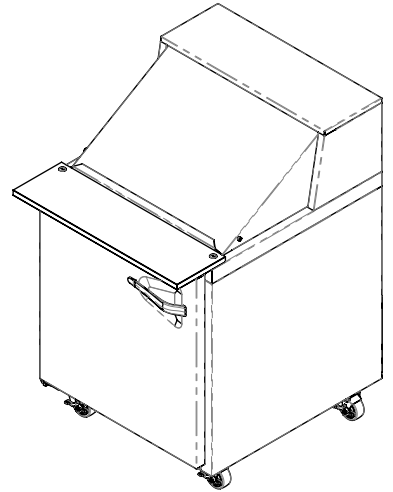
# COMPACT PREP TABLES

Self-Contained Solid Door(s)

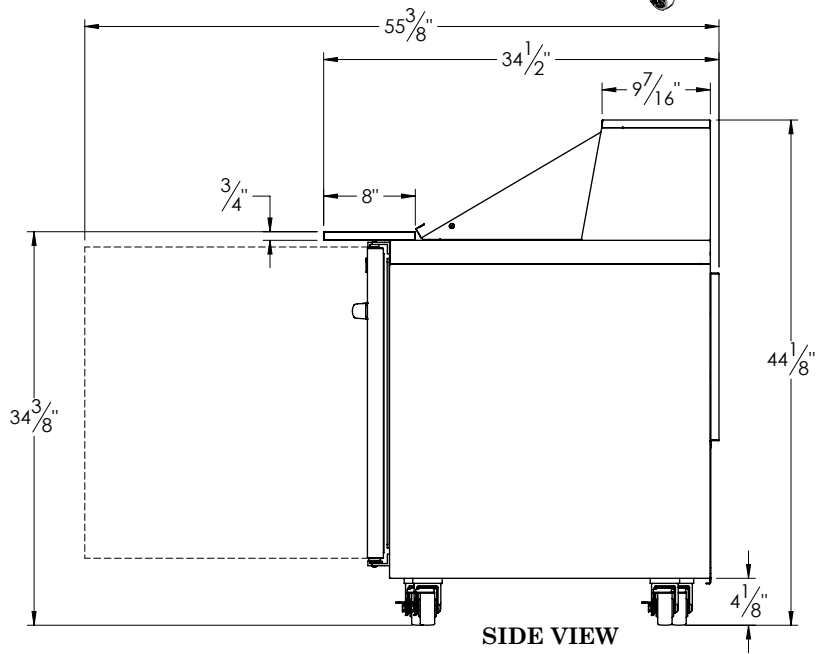
MODELS:  
UPT279



TOP VIEW



ELEVATION



SIDE VIEW



# UPT SERIES

## Compact Sandwich Prep Tables with Raised Cover/Self-Contained

### MODELS

Door Models: UPT276, UPT279

| MODELS   | UPT276   UPT279 |
|--|-----------------|
| <b>CABINET DIMENSIONAL DATA</b>  |                 |
| Volume   | N/A             |
| # of 1/6 Size Pan Top  | 6   9           |
| Width- Cabinet   | 27"             |
| Width-Door   | 24 5/8"         |
| Depth <sup>1</sup> -door open 90 <sup>01</sup>                         | 55 7/8"         |
| Depth-Cutting Board  | 12"   8"        |
| Depth-Lid Top  | 9 3/8"   9 5/8" |
| Width-Pan Cover Lid  | 27"             |
| Height-Overall (mounted on 4" casters)                                 | 42 3/4"   44"   |
| Clear Door Opening   | 22 3/4"         |
| # of Doors   | 1               |
| # of Shelves   | 2               |
| Total Shelf area sq. ft  | 4.88            |
| <b>ELECTRICAL DATA &amp; REFRIGERATION DATA</b><br>115/60/1 NEMA 5-15P |                 |
| Full Load Amps   | 7.5             |
| MDEC <sup>2</sup> (KWH)  | N/A             |
| Refrigerant  | R-450A          |
| Refrigerant Amount oz. (gr)  | 7 (198)         |
| BTU/HR <sup>3</sup>   H.P.   | 1390 (1/4)      |
| <b>SHIPPING DATA</b>   |                 |
| Width Crated in. (cm)  | 45" (1145)      |
| Volume Crated cu. ft. (l)  | 45 (1274)       |
| Weight lbs. (kg) - Crated  | 254 (115)       |

### EQUIPMENT SPECIFICATIONS

#### CONSTRUCTION, HARDWARE, INSULATION

Cabinet exterior front, sides, pan cover lid and doors are constructed of stainless steel. Cabinet interior and door liners are constructed of anodized aluminum. The exterior cabinet back at the bottom are constructed of galvanized steel.

Doors self close at less than 90 degrees and also includes a stay open feature at 105 degrees. Gasket profile and Santoprene<sup>®</sup> material simplify cleaning and increase overall gasket life.

Both the cabinet and doors are insulated with an average of 2" thick high density non-CFC, foamed in place polyurthane.

A 3/4" thick, full-length, reversible white nylon cutting board is supplied standard.

#### PANS & COVER

Each model is supplied standard with its full compliment of 4" deep plastic 1/6 size pans and stainless steel pan dividers. The pan cover and lid are constructed of stainless steel, and is easily removable for cleaning.

#### REFRIGERATION SYSTEM

A balanced, rear mounted, front breathing, self-contained refrigeration system using environmentally friendly, non-flammable R-450A refrigerant is provided. It features a capillary tube metering device, air cooled hermetic compressor, a forced air evaporator coil and a non-electric condensate evaporator. An 8' cord and plug is provided. Standard operating temperature of the refrigerated base is 34<sup>0</sup> to 38<sup>0</sup>F (1.1<sup>0</sup> to 3.3<sup>0</sup>C).

#### INTERIOR

Standard interior arrangements include two (2) powder coated wire shelves per door, mounted on pilasters. These are adjustable in 1/2" (1.27 cm) increments, allowing for a minimum of 1-1/2" (3.81 cm) spacing between shelves.

#### WARRANTY

Both a three year parts and labor warranty and a five year compressor parts warranty (self-contained models) are provided standard.

#### NOTES:

- Overall depth includes standard cutting board.
  - MDEC = Maximum Daily Energy Consumption
  - Based on a 90 degree F ambient and 20 degree F evaporator
- When ordering please specify: Voltage, Hinging, Optional Accessories and any additional warranties.
- This unit may be manufactured in other electrical characteristics and may have additional regulatory agency approvals. Consult factory for other electrical characteristics and agency approvals based on specific electrical and country requirements.

CONTINUED PRODUCT DEVELOPMENT MAY NECESSITATE SPECIFICATION CHANGES WITHOUT NOTICE.