



CATALOG OF REPLACEMENT PARTS

HL300 SERIES LEGACY MIXER

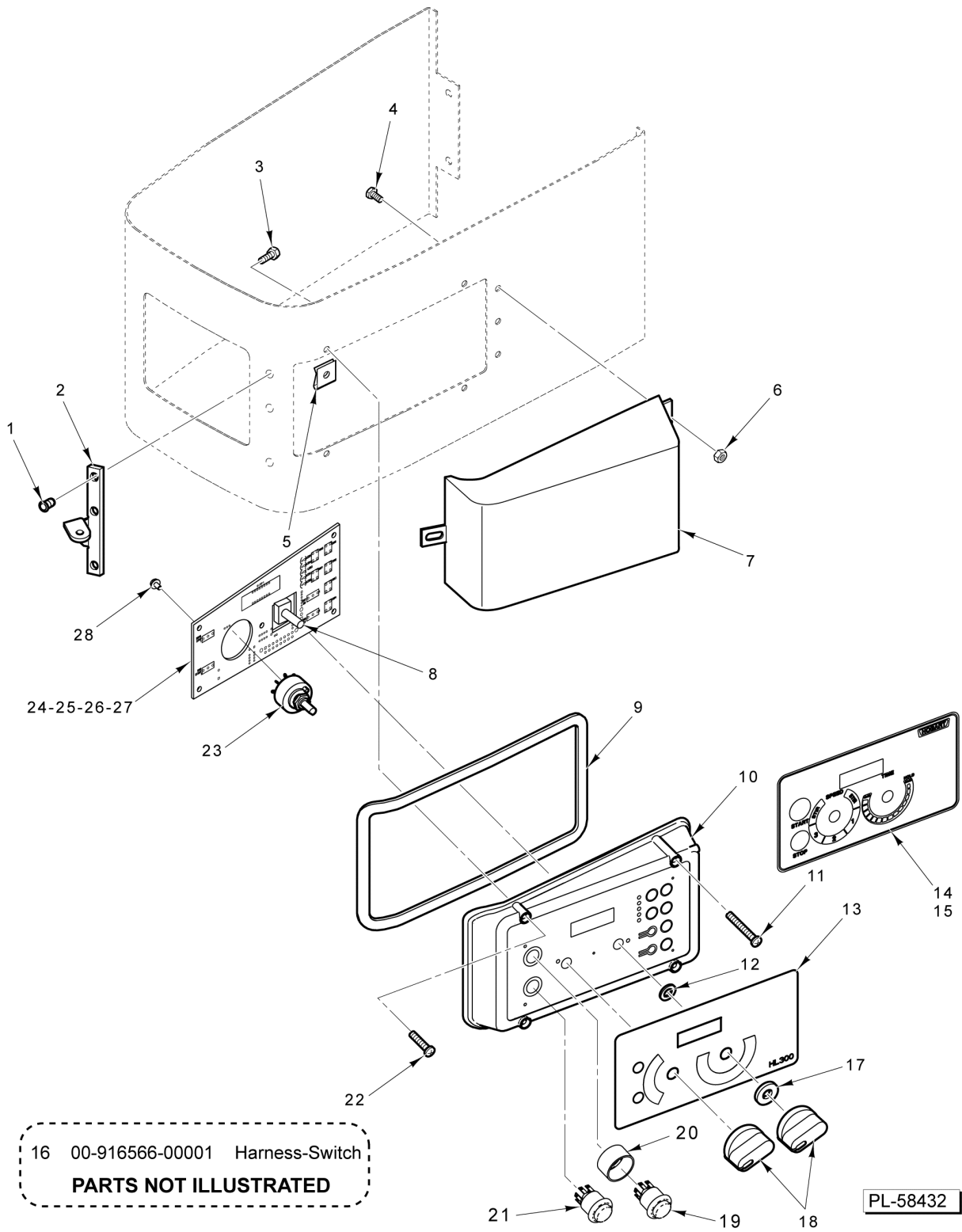


ML-134351
ML-134358
ML-141097

HL300
HL300C
HL300 (Canada)

Table of Contents

5	CONTROL PANEL
7	ELECTRICAL COMPONENTS
9	BASE AND PEDESTAL
11	ATTACHMENT HUB
13	TRANSMISSION CASE AND MOTOR
15	TRANSMISSION
17	PLANETARY
19	BOWL AND BOWL GUARD
21	BOWL SUPPORT
23	AGITATORS AND ACCESSORIES
25	LABELS & NAMEPLATES

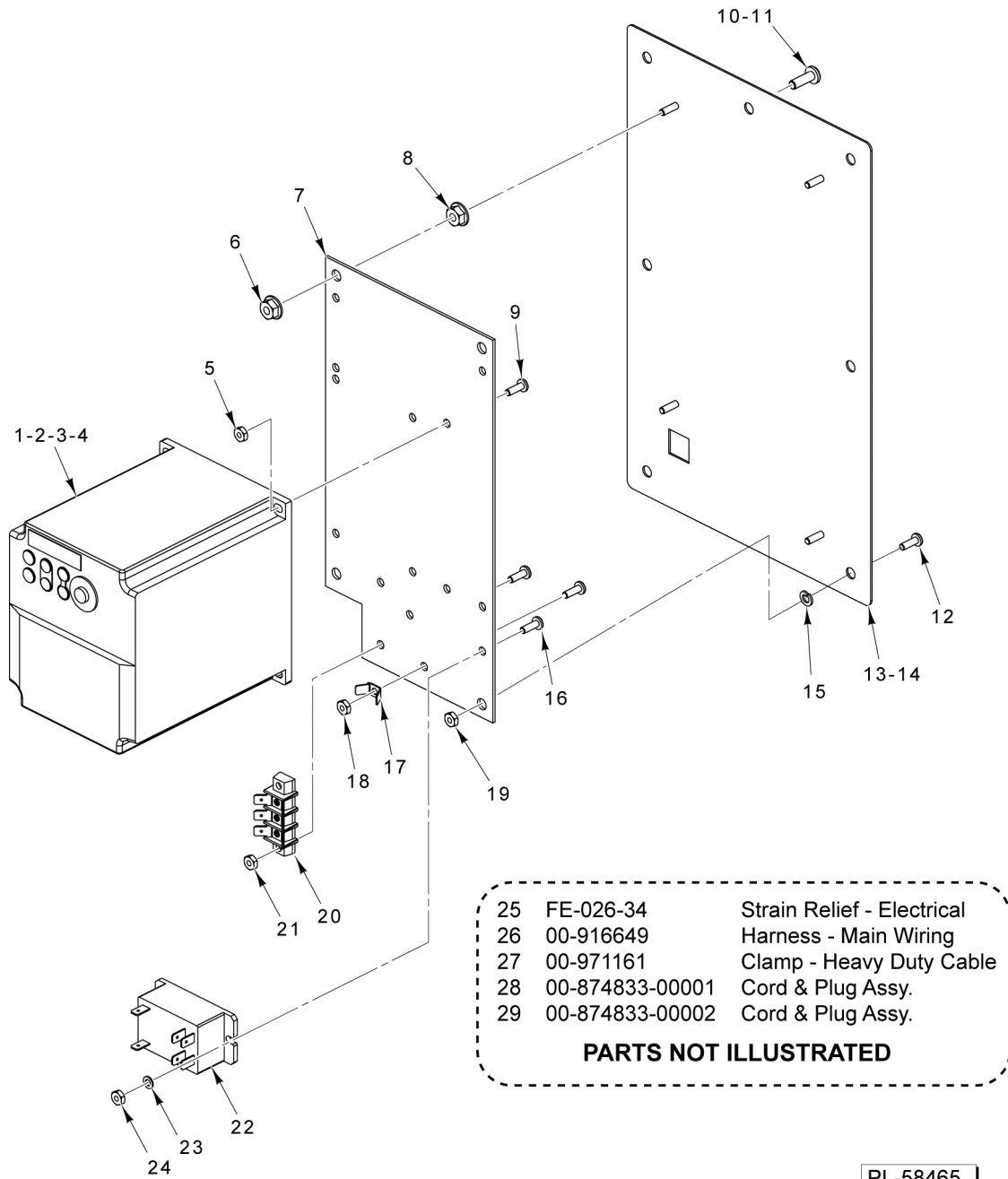


CONTROL PANEL

CONTROL PANEL

ILLUS. PL-58432	PART NO.	NAME OF PART	AMT.
1	00-042648	Insert - Threaded (ML-134358).....	3
2	00-916759	Latch (ML-134358).....	1
3	SC-128-69	Mach. Screw 10-24 x 3/8 Tx. Button Hd. (ML-134358).....	3
4	SC-128-69	Mach. Screw 10-24 x 3/8 Tx. Button Hd. (ML-134358).....	3
5	00-874338	Fastener - Self-Retaining.....	4
6	NS-038-13	Lock Nut 10-24 Hex (ML-134358).....	3
7	00-916760	Cover - Security (ML-134358).....	1
8	00-916594	Potentiometer Assy. (Units Starting S/N 311398262).....	1
9	00-916613	Seal - Control Panel.....	1
*10	00-917302	Panel - Control.....	1
11	SC-128-40	Mach. Screw 8-32 x 2-1/4 Phil. Oval Hd. (SST).....	2
12	00-917313	Spacer (Units Built With S/N from 311398262 to 311422837).....	1
13	00-916766	Overlay - Recipe (4-Position Speed Selector) (Units Before S/N 311422837).....	1
**14	00-937066	Overlay - Standard (6-Position Speed Selector) (Units Starting S/N 311422837).....	1
15	00-937069	Overlay - Recipe (6-Position Speed Selector) (Units Starting S/N 311422837).....	1
16	00-916566-00001	Harness - Switch.....	1
17	WS-031-55	Washer (Rubber).....	1
18	00-874809	Knob (Plastic).....	1
	00-938685	Knob (Metalic)(Starting S/N: 311628503).....	1
19	00-916593	Switch - Sealed Dome (Start).....	1
20	00-916958-00002	Guard - Switch.....	1
21	00-916592	Switch - Sealed Dome (Stop).....	1
22	SC-128-39	Mach. Screw 8-32 x 1-1/2 Phil. Oval Hd. (SST).....	2
***23	00-937061	Switch - Speed Selector Assy. (6-Position) (Units Starting S/N 311422837).....	1
****24	00-917212	PCB Assy. (Standard Timer With Off-Board Potentiometer And 4-Position Speed Selector) (Units Built With S/N from 311398262 to 311422837).....	1
*****25	00-917213	PCB Assy. (Recipe Timer With Off-Board Potentiometer And 4-Position Speed Selector) (Units Built With Serial Numbers from 311398262 to 311422837).....	1
26	00-937135	PCB Assy. (Standard) (6-Position Speed Selector) (Units Starting S/N 311422837).....	1
27	00-937136	PCB Assy. (Recipe Timer) (6-Position Speed Selector) (Units Starting S/N 311422837).....	1
28	SD-039-23	Self-Tapping Screw 6-32 x 1/4 Hex Washer Hd., Type RL.....	5

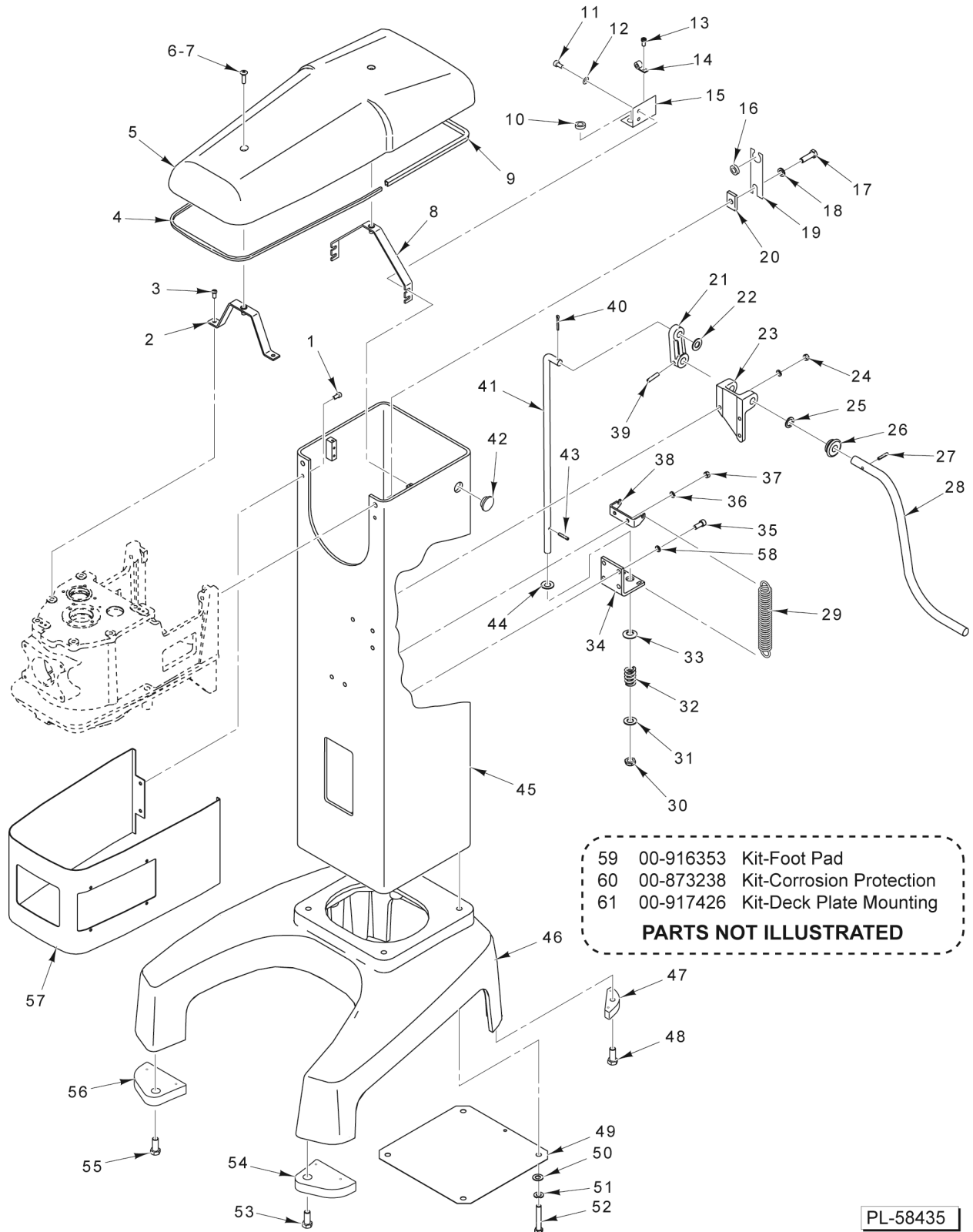
- * (Order panel control upgrade 00-913103-00003 when replacing panel with standard timer, and 4-position speed selector. Order panel control upgrade 00-913103-00007 when replacing panel with variable speed selector, and on-board on/off swithes.)
- ** (Order panel control upgrade 00-913103-00003 when replacing standard timer overlay with 4-position speed selector switch.)
- *** (Order panel control upgrade 00-913103-00003 when replacing 4-position speed selector switch with standard timer.)
- **** (Order Items 8, 12, 18 & 24 when replacing standard timer with on-board potentiometer.)
- ***** (Order PCB Assembly 00-913102-00103 when replacing recipe timer with on-board potentiometer.)



ELECTRICAL COMPONENTS

ELECTRICAL COMPONENTS

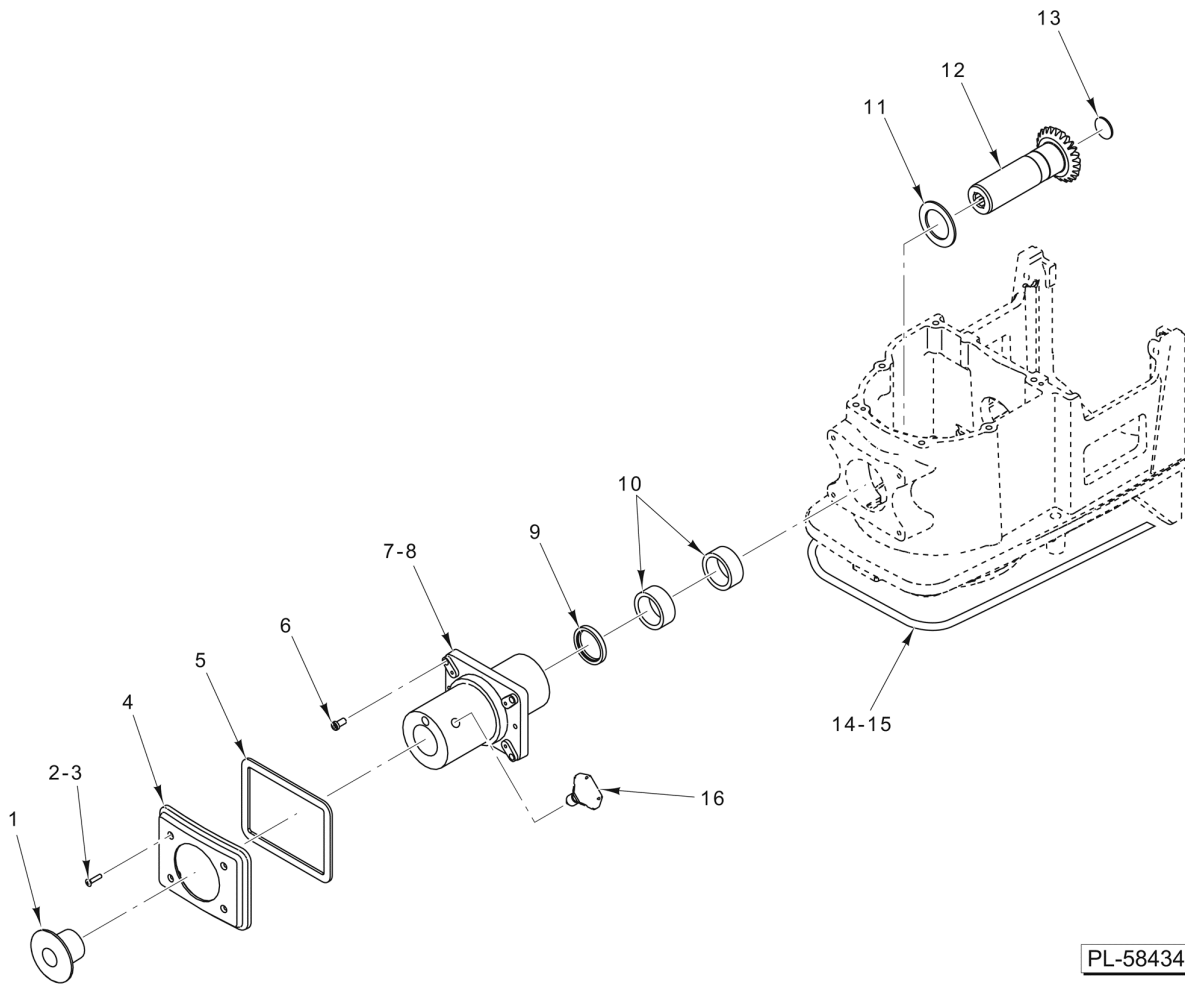
ILLUS.	PART NO.	NAME OF PART	AMT.
PL-58465			
1	00-916761	Controller (100/120 V., 50/60 Hz., 1 Ph.).....	1
2	00-916762	Controller (200/230 V., 50/60 Hz., 1 Ph.).....	1
3	00-916763	Controller (200/230 V., 50/60 Hz., 3 Ph.).....	1
4	00-916764	Controller (380/480 V., 50/60 Hz., 3 Ph.).....	1
5	WS-023-48	Washer.....	4
6	NS-038-04	Lock Nut 1/4-20.....	4
7	00-916871	Plate - Controller Mounting.....	1
8	NS-038-04	Lock Nut 1/4-20.....	4
9	SC-018-34	Mach. Screw 8-32 x 1/2 Phil. Pan Hd.....	4
10	SC-053-46	Mach. Screw 1/4-20 x 3/4 Slotted Truss Hd. (SST).....	7
11	SC-128-74	Mach. Screw 1/4-20 x 5/8 Tx. Button Hd. (SST) (ML-134358).....	7
12	SC-018-33	Mach. Screw 8-32 x 5/16 Phil. Pan Hd.....	1
13	00-916772-00001	Cover - Back & Studs (100/120 V. & 200/230 V., 1 Ph.).....	1
14	00-916772-00002	Cover - Back & Studs (200/230 V. & 380/480 V., 3 Ph.).....	1
15	WL-003-12	Lockwasher #8 Helical.....	1
16	SC-018-34	Mach. Screw 8-32 x 1/2 Phil. Pan Hd.....	5
17	00-065890-00090	Terminal (2-Tab).....	1
18	NS-009-12	Nut 8-32 Hex.....	1
19	NS-038-04	Lock Nut 1/4-20.....	1
20	00-916269	Block - Terminal.....	1
21	NS-009-12	Nut 8-32 Hex.....	2
22	00-087714-042-5	Relay (2-Pole, 30 Amp.).....	1
23	WS-023-48	Washer.....	2
24	NS-009-12	Nut 8-32 Hex.....	2
25	FE-026-34	Strain Relief - Electrical.....	1
26	00-916649	Harness - Main Wiring.....	1
27	00-971161	Clamp - Heavy Duty Cable.....	1
28	00-874833-00001	Cord & Plug Assy. (120 V.).....	1
29	00-874833-00002	Cord & Plug Assy. (220 V.).....	1



BASE AND PEDESTAL

BASE AND PEDESTAL

ILLUS. PL-58435	PART NO.	NAME OF PART	AMT.
1	SC-089-01	Cap Screw 1/4-20 x 1/2 Hex Socket Hd.....	2
2	00-916452	Strap - Front Cover Mounting.....	1
3	SC-089-19	Cap Screw 5/16-18 x 1-3/8 Hex Socket Hd.....	2
4	00-874512-00003	Seal - Top Cover.....	1
5	00-913102-00240	Kit - Top Cover & Screws.....	1
6	SC-024-03	Mach. Screw 1/4-20 x 7/8 Slotted Fil. Hd. (SST) (SST).....	2
7	SC-121-73	Mach. Screw 1/4-20 x 1 Tx. Button Hd. (SST) (ML-134358).....	2
8	00-916454	Strap - Rear Cover Mounting.....	1
9	00-916535-00001	Seal - Top Cover.....	1
10	FE-021-13	Bushing (Nylon) 1/2 I.D.....	1
11	SC-089-01	Cap Screw 1/4-20 x 1/2 Hex Socket Hd.....	4
12	WS-003-19	Washer.....	4
13	SD-019-23	Self-Tapping Screw 10-16 x 3/8 Phil. Pan Hd., Type B.....	1
14	00-078752-00009	Clamp - Cable.....	1
15	00-937123	Bracket.....	1
16	FE-021-13	Bushing (Nylon) 1/2 I.D.....	1
17	SC-118-09	Cap Screw 3/8-16 x 1-1/4 Hex Hd.....	6
18	WL-004-06	Lockwasher 3/8 Helical.....	6
19	00-916815	Plate - Wire Routing.....	1
20	00-271340	Bar - Reinforcing.....	6
21	00-916467	Arm - Bowl Lift.....	1
22	WS-008-47	Washer.....	1
23	00-916442	Block - Bowl Lift Bearing.....	1
24	NS-013-02	Nut 1/4-20 Hex.....	3
25	WS-020-01	Washer (SST).....	1
26	00-271343	Grommet - Handle.....	1
27	RP-002-25	Roll Pin 1/8 Dia. x 7/8 Lg.....	1
28	00-916482	Handle - Bowl Lift.....	1
29	00-916463	Spring - Bowl Lift.....	2
30	NS-031-39	Stop Nut 1/2-20 "Elastic".....	1
31	WS-008-47	Washer.....	1
32	00-070104	Spring - Bowl Lift.....	1
33	00-070131	Washer - Cup Bowl Lift.....	1
34	00-916469	Bracket - Bowl Lift Support.....	1
35	SC-041-13	Cap Screw 5/16-18 x 1 Hex Hd. (SST).....	4
36	WL-003-38	Lockwasher 1/4 Helical.....	2
37	NS-013-02	Nut 1/4-20 Hex.....	2
38	00-916449	Hook - Bowl Lift Spring.....	1
39	PS-004-15	Spiral Pin 1/4 Dia. x 1-1/8 Lg.....	1
40	PC-006-13	Cotter Pin.....	1
41	00-916468	Rod - Bowl Lift.....	1
42	PB-005-30	Plug - Button.....	1
43	RP-002-10	Roll Pin 3/16 Dia. x 1 Lg.....	1
44	WS-008-47	Washer.....	1
45	00-916364-00004	Column.....	1
46	00-916213-00004	Base.....	1
47	00-916309	Pad - Rear.....	2
48	SC-110-36	Cap Screw 3/8-16 x 1 Hex Flat Hd. (SST).....	2
49	00-916987	NLA - Obsolete--Cover - Bottom.....	1
50	WS-018-19	Washer.....	4
51	WL-004-04	Lockwasher 3/8 Helical.....	4
52	SC-118-05	Cap Screw 3/8-16 x 2-3/4 Hex Hd.....	4
53	SC-110-36	Cap Screw 3/8-16 x 1 Hex Flat Hd. (SST).....	1
54	00-916308	Pad - Front (RH).....	1
55	SC-110-36	Cap Screw 3/8-16 x 1 Hex Flat Hd. (SST).....	1
56	00-916307	Pad - Front (LH).....	1
57	00-916387-00002	Wrapper - Transmission.....	1
58	WL-006-22	Lockwasher 5/16 Light.....	4
59	00-916353	Kit - Foot Pad (Incls. Items 47, 48, & 53 thru 56).....	1
60	00-873238	Kit - Corrosion Protection.....	1
61	00-917426	Kit - Deck Plate Mounting.....	1

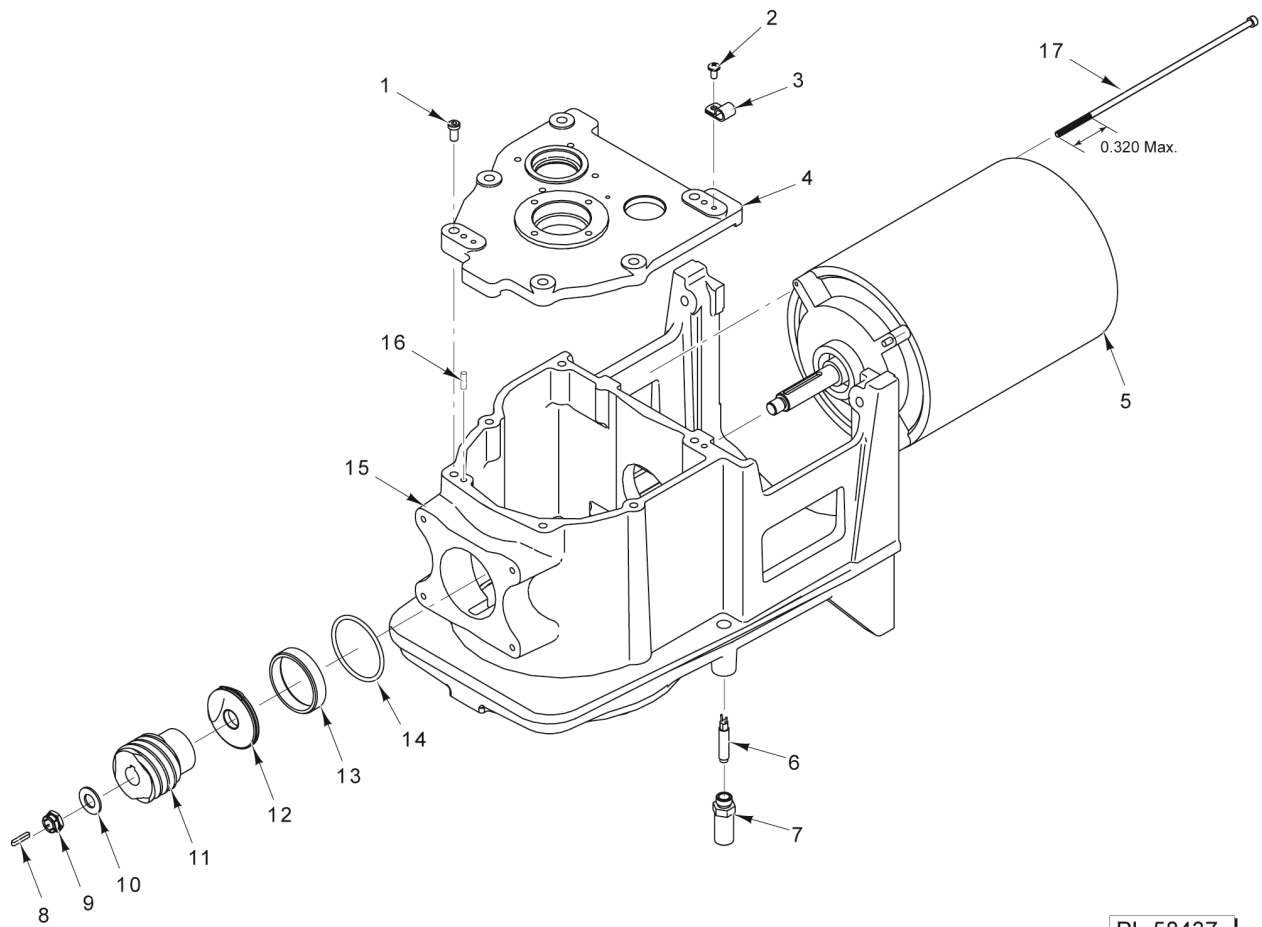


PL-58434

ATTACHMENT HUB

ATTACHMENT HUB

ILLUS.	PART NO.	NAME OF PART	AMT.
PL-58434			
1	00-917221	Plug - Attachment (Plastic).....	1
	00-938670	Plug - Attachment (Metallic)(Starting S/N: 311628503).....	1
2	SC-079-04	Mach. Screw 8-32 x 3/4 Phil. Oval Hd. (SST).....	4
3	SC-128-65	Mach. Screw 1/4-20 x 1/2 Tx. Button Hd. (SST) (ML-134358).....	4
4	00-917222	Panel - Front.....	1
5	00-875813	Seal - Front Cover.....	1
6	SC-040-09	Cap Screw 1/4-20 x 1-1/4 Hex Socket Hd.....	4
7	00-916662-00002	Hub - Attachment.....	1
8	OR-001-09	O-Ring.....	1
9	00-916733	Seal - Attachment Hub.....	1
10	BN-005-12	Bearing - Needle (Pre-Greased).....	2
11	00-061920-00009	Washer - Thrust (0.100 Thk.).....	1
12	00-916601-00002	Gear - Drive Attachment (Incls. Item 13).....	1
13	PL-003-17	Plug - Expansion.....	1
14	00-874925-00008	Seal - Neoprene.....	1
15	00-874925-00009	Seal - Neoprene.....	1
16	00-108197-00001	Thumb Screw 1-1/4.....	1



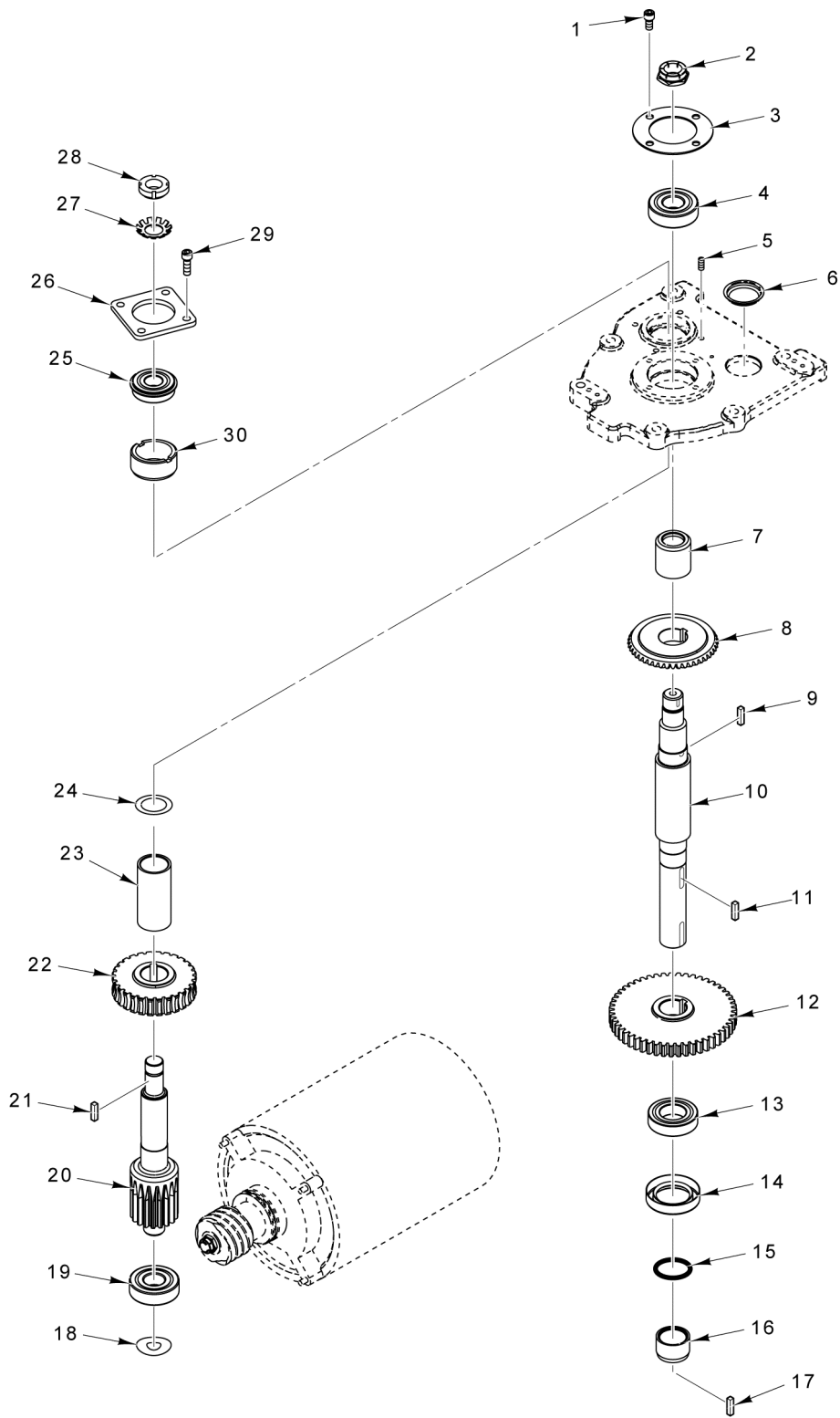
PL-58437

TRANSMISSION CASE AND MOTOR

TRANSMISSION CASE AND MOTOR

ILLUS.	PART NO.	NAME OF PART	AMT.
PL-58437			
1	SC-040-15	Cap Screw 5/16-18 x 1-1/4 Hex Socket Hd.....	6
2	SC-018-62	Mach. Screw 10-24 x 3/8 Phil. Pan Hd.....	1
3	00-078752-00009	Clamp - Cable.....	1
4	00-916324	Cover - Top.....	1
5	00-916446	Motor.....	1
6	00-087711-00352	Switch - Reed.....	1
7	00-917596	Holder - Reed Switch.....	1
8	00-012430-00069	Key 3/16 x 3/16 x 1-39/64.....	1
9	NS-032-23	Lock Nut 7/16-20 Special.....	1
10	WS-021-08	Washer.....	1
11	00-916338	Worm - Motor.....	1
12	00-937535	Deflector - Grease (RH).....	1
13	00-916445	Bushing - Motor.....	1
14	00-067500-00057	O-Ring.....	1
15	00-916326-00003	Transmission.....	1
16	00-011800-00187	Dowel.....	2
*17		Screw - UNF-2A 10-32 x 10" (Ref. Only).....	4

* 0.320 Max Thread Extension

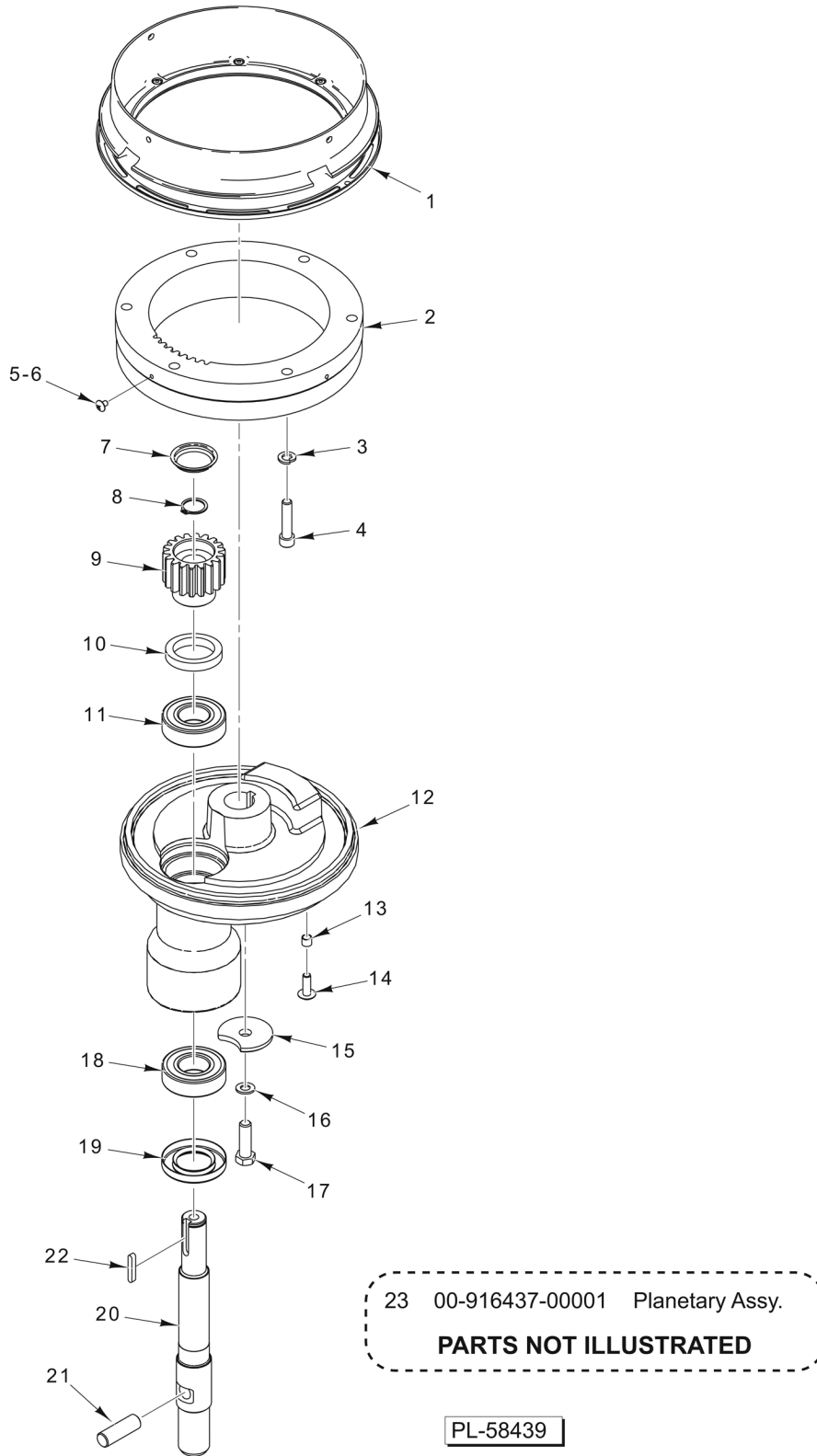


PL-58438

TRANSMISSION

TRANSMISSION

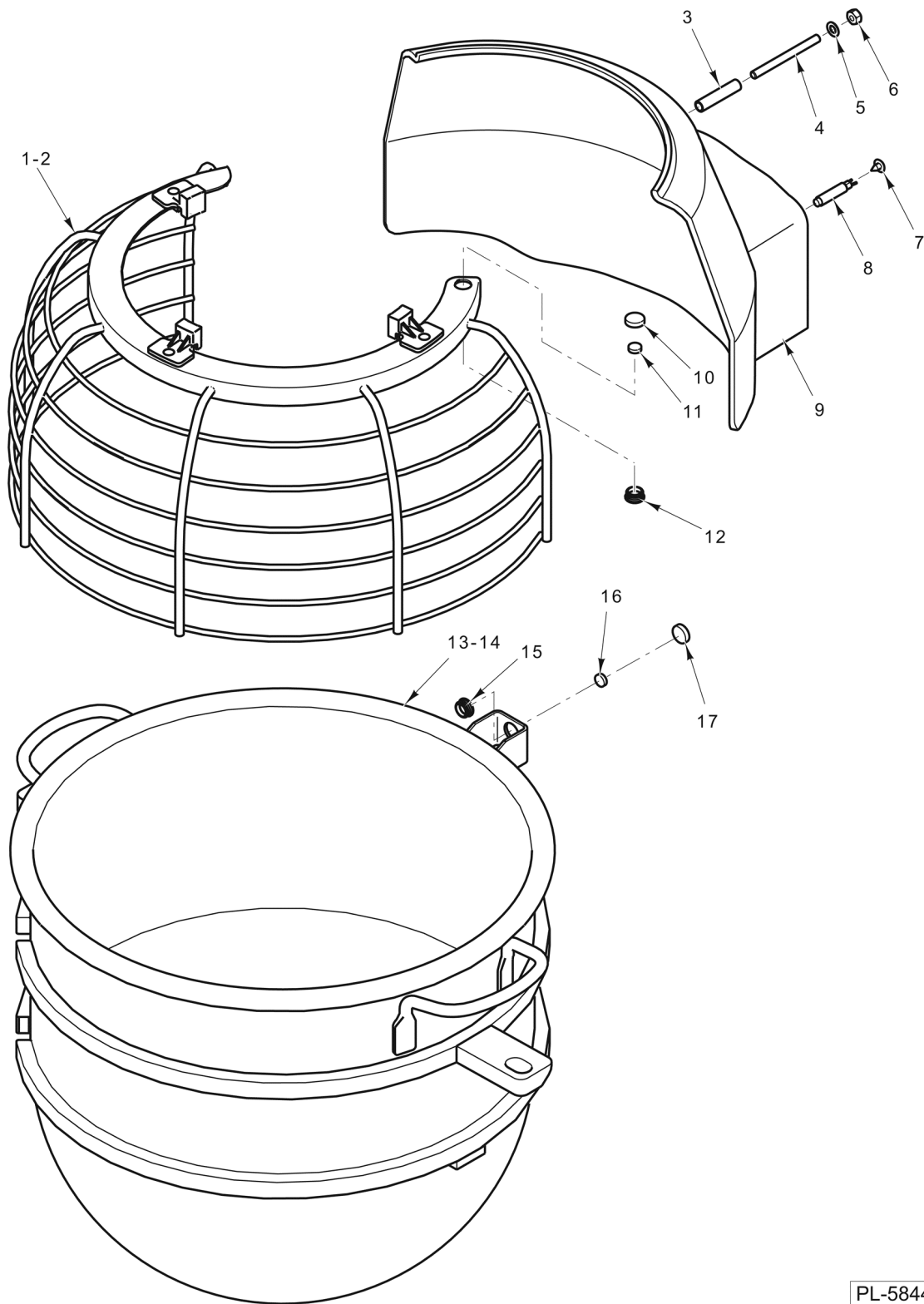
ILLUS.	PART NO.	NAME OF PART	AMT.
PL-58438			
1	SC-089-01	Cap Screw 1/4-20 x 1/2 Hex Socket Hd.....	4
2	00-937473	Nut 3/4-16 (LH Thread).....	2
3	00-916439-00002	Retainer - Planetary.....	1
4	BB-005-34	Ball Bearing.....	1
5	SC-047-09	Set Screw 1/4-20 x 1/4 Hex Hdls., Cup Pt.....	AR
6	00-064871	Plug - Friction.....	1
7	00-916665	Spacer - Upper Planetary.....	1
8	00-070020-00002	Gear - Bevel (46T).....	1
9	00-012430-00134	Key.....	1
10	00-916667	Shaft - Planetary.....	1
11	00-012430-00136	Key.....	1
12	00-916666	Gear - Helical (51T).....	1
13	BB-015-08	Bearing - Ball.....	1
14	00-110334	Seal - Planetary.....	1
15	00-067500-00068	O-Ring.....	1
16	00-916663	Spacer - Lower Planetary.....	1
17	00-012430-00158	Key.....	1
18	SL-005-04	Spring - Loading.....	1
19	BB-005-34	Ball Bearing.....	1
20	00-916340	Shaft - Worm Gear.....	1
21	00-012430-00138	Key 1/4 Sq. x 3/4 Lg.....	1
22	00-916339	Gear - Worm.....	1
23	00-916357	Spacer - Input Shaft.....	1
24	00-916358	Spacer - Upper Input Shaft.....	1
25	BB-021-21	Bearing - Ball.....	1
26	00-916438	Retainer - Wormwheel.....	1
27	WL-012-04	Lockwasher N.D. #W-03.....	1
28	NS-034-04	Lock Nut N.D. #N-03.....	1
29	SC-089-02	Cap Screw 1/4-20 x 3/4 Hex Socket Hd.....	4
30	00-271301-00002	Sleeve - Worm Gear Adjustment.....	AR



PLANETARY

PLANETARY

ILLUS.	PART NO.	NAME OF PART	AMT.
PL-58439			
1	00-916363	Flange - Dripcup.....	1
2	00-916416-00001	Gear - Internal.....	1
3	WL-003-48	Lockwasher 5/16 High Collar.....	6
4	SC-089-19	Cap Screw 5/16-18 x 1-3/8 Hex Socket Hd.....	6
5	SC-066-13	Mach. Screw 8-32 x 1/4 Phil. Truss Hd. (SST).....	3
6	SC-128-73	Mach. Screw 8-32 x 1/4 Tx. Button Hd. (SST) (ML-134358).....	3
7	00-064871	Plug - Friction.....	1
8	RR-004-06	Retaining Ring.....	1
9	00-916461	Pinion - Agitator Shaft.....	1
10	00-916563	Seal - Upper Agitator Shaft.....	1
11	BB-020-06	Ball Bearing (Fafnir 204KDFA51580).....	1
12	00-916435	Planetary.....	1
13	00-874770	Spacer - Bowl Scraper.....	2
14	SC-053-46	Mach. Screw 1/4-20 x 3/4 Slotted Truss Hd. (SST).....	2
15	00-917743	Washer - Planetary Assy.....	1
16	WL-006-28	Lockwasher 3/8 Helical.....	1
17	SC-062-58	Cap Screw 3/8-24 x 1-1/4 Hex Hd.....	1
18	BB-017-36	Ball Bearing - SKF #6205Z.....	1
19	00-110335	Seal - Agitator Shaft.....	1
20	00-916457	Shaft - Agitator.....	1
21	00-070019	Pin - Agitator.....	1
22	00-012430-00142	Key 1/4 x 1/4 x 1.....	1
23	00-916437-00001	Planetary Assy. (Incls. Items 7 thru 14 & 18 thru 21.....	1

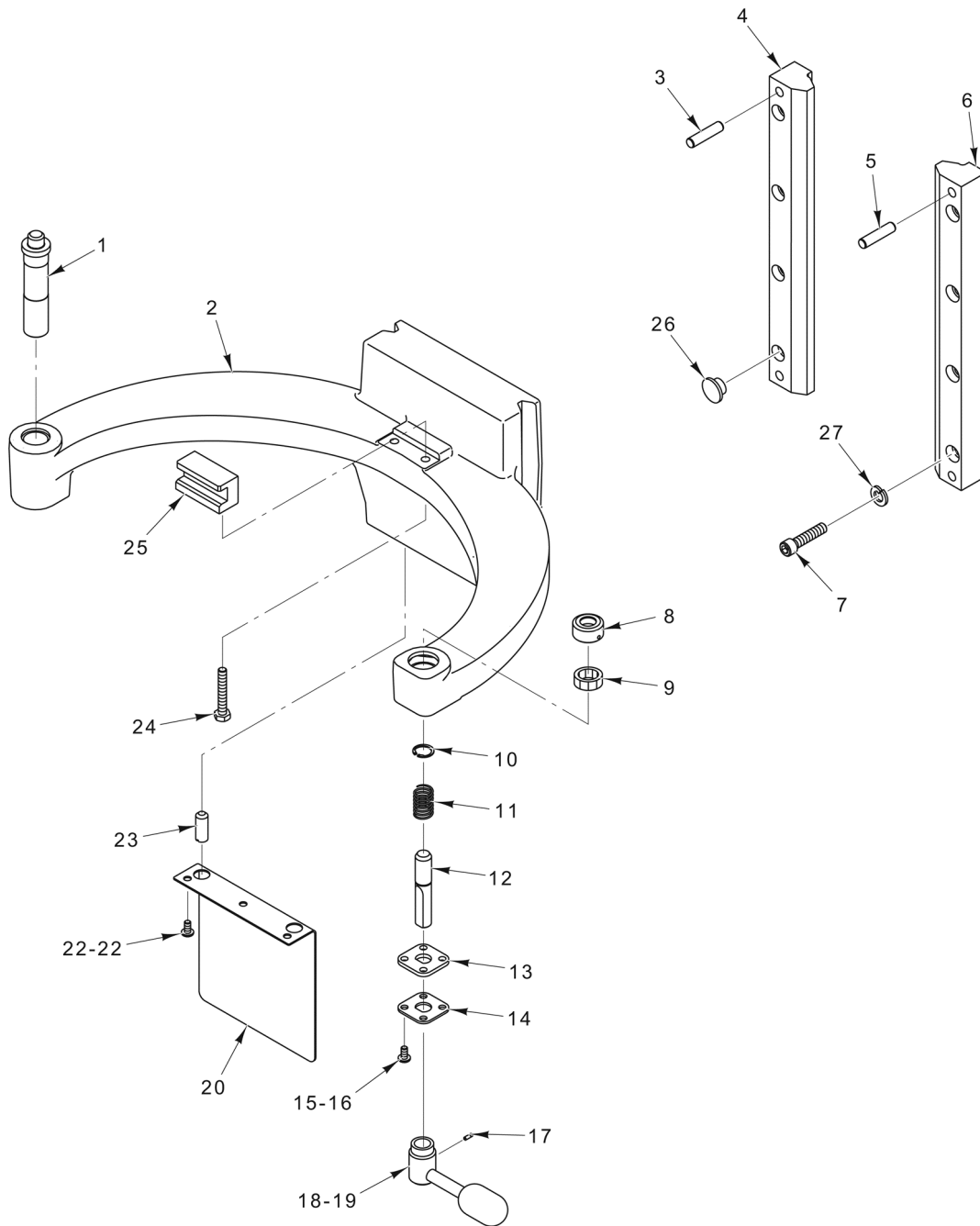


PL-58440

BOWL AND BOWL GUARD

BOWL AND BOWL GUARD

ILLUS.	PART NO.	NAME OF PART	AMT.
PL-58440			
1	00-937210-00001	Wire Cage Assy. (Incls. Items 10, 11, & 12) (ML-134351 & ML-141097).....	1
2	00-937210-00002	Wire Cage Assy. (Incls. Items 10, 11, & 12) (ML-134358).....	1
3	00-916610	Spacer - Splash Guard.....	4
4	00-916671	Rod - Splash Guard.....	4
5	WS-003-19	Washer.....	4
6	NS-013-02	Nut 1/4-20 Hex.....	4
7	SD-034-19	Self-Tapping Screw 10-16 x 3/8 Phil. Truss Hd., Type AB.....	1
8	00-087711-00352	Switch - Reed.....	1
9	00-917228	Guard - Splash Back.....	1
10	00-917357	Holder - Magnet (Upper).....	1
11	00-874875	Magnet - Disc.....	1
12	00-917358	Holder - Magnet (Lower).....	1
13	00-916617	Bowl Assy. (20 Qt.).....	1
14	00-916616	Bowl Assy. (30 Qt.).....	1
15	00-917358	Holder - Magnet (Lower).....	1
16	00-874875	Magnet - Disc.....	1
17	00-917357	Holder - Magnet (Upper).....	1

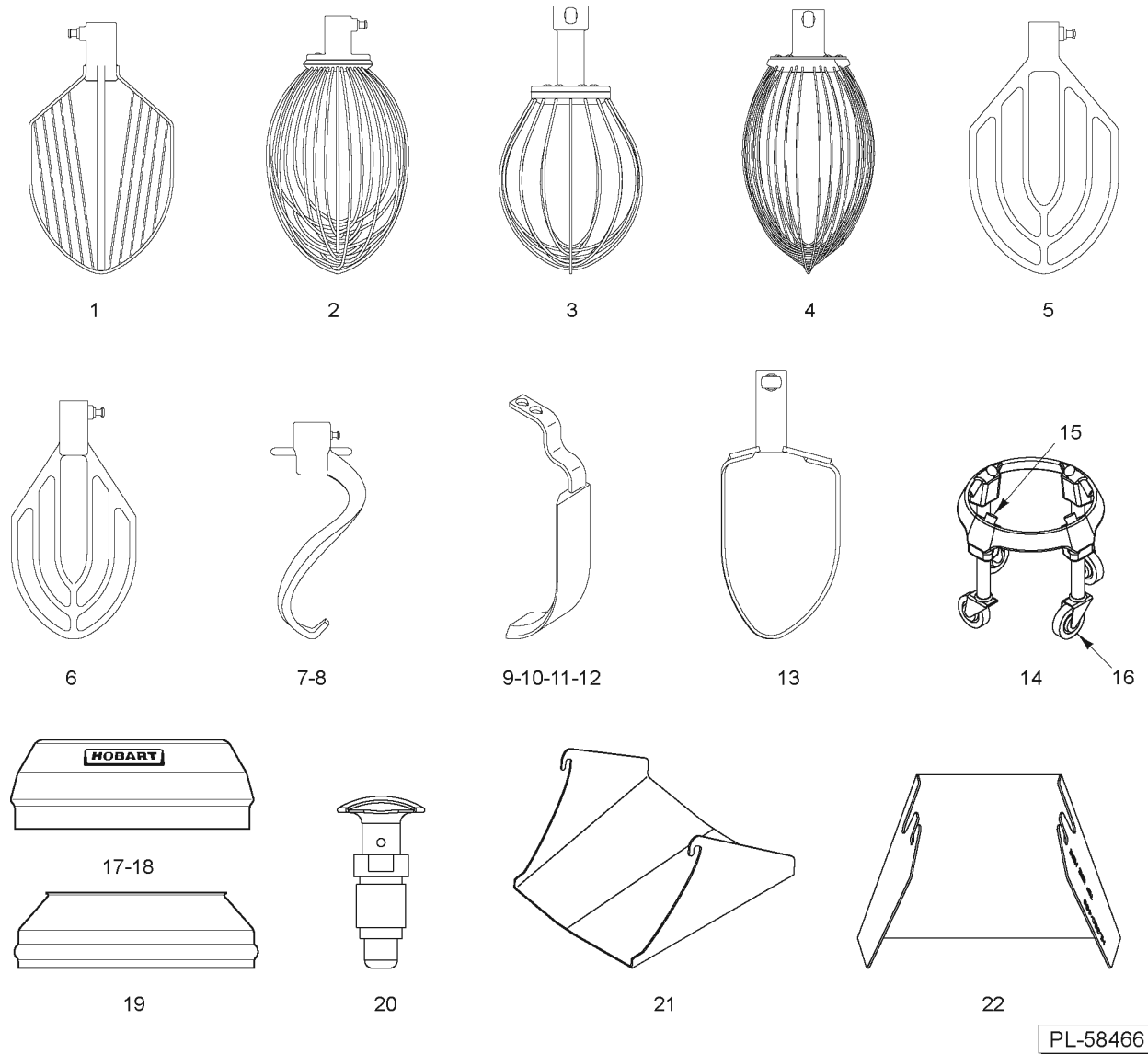


PL-58436

BOWL SUPPORT

BOWL SUPPORT

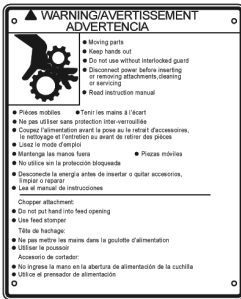
ILLUS.	PART NO.	NAME OF PART	AMT.
PL-58436			
1	00-916516	Pin - Bowl (LH).....	1
2	00-916497	Support - Bowl.....	1
3	00-968081-00001	Dowel.....	2
4	00-916365-00001	Slideway - Bowl Lift (LH).....	1
5	00-968081-00001	Dowel.....	2
6	00-916365-00002	Slideway - Bowl Lift (RH).....	1
7	SC-089-19	Cap Screw 5/16-18 x 1-3/8 Hex Socket Hd.....	8
8	00-916501	Ramp.....	1
9	00-916502	Bushing - Split.....	1
10	RR-012-47	Retaining Ring SST.....	1
11	00-916488	Spring - Compression.....	1
12	00-916505	Pin - Bowl (RH).....	1
13	00-916550	Glide - Bowl Release.....	1
14	00-916506	Plate - Bowl Release.....	1
15	SC-093-23	Mach. Screw 10-24 x 3/8 Phil. Pan Hd.....	4
16	SC-128-64	Mach. Screw 1/4-20 x 1 Tx. Flat Hd. (SST) (ML-134358).....	4
17	SC-047-74	Set Screw 8-32 x 1/4 Hdls. Cup Pt.....	1
18	00-916504-00002	Handle - Security Bowl Release (ML-134358).....	1
19	00-916504-00001	Handle - Bowl Release (ML-134351 & ML-141097).....	1
20	00-916470	Apron - Lower.....	1
21	SC-093-23	Mach. Screw 10-24 x 3/8 Phil. Pan Hd.....	3
22	SC-128-69	Mach. Screw 10-24 x 3/8 Tx. Button Hd. (ML-134358).....	3
23	SC-129-59	Set Screw 3/8-16 x 1.....	2
24	SC-097-15	Cap Screw 1/4-20 x 1-5/8 Hex Hd.....	2
25	00-916515	Catch - Rear Bowl.....	1
26	PB-004-96	Cap.....	8
27	WL-003-48	Lockwasher 5/16 High Collar.....	8



AGITATORS AND ACCESSORIES

AGITATORS AND ACCESSORIES

ILLUS.	PART NO.	NAME OF PART	AMT.
1	00-916573	"C" Wire Whip (30 & 40 Qt.) (Packaged) (Incls. Item 17).....	1
2	00-916598	"D" Wire Whip (20 Qt.) (Packaged) (Incls. Item 17).....	1
3	00-916520	"I" Wire Whip (30 & 40 Qt.) (Packaged) (Incls. Item 17).....	1
4	00-916421	"D" Wire Whip (30 & 40 Qt.) (Packaged) (Incls. Item 17).....	1
5	00-916372	"B" Beater (30 & 40 Qt.) (Packaged) (Incls. Item 17).....	1
6	00-916582	"B" Flat Beater (20 Qt.) (Packaged) (Incls. Item 17).....	1
7	00-916827	"ED" Dough Arm (20 Qt.) (Packaged) (Incls. Item 17).....	1
8	00-916618-00001	"ED" Hook (30 & 40 Qt.) (Packaged) (Incls. Item 17).....	1
9	00-916838	Bowl Scraper Assy. (30 Qt.) (Packaged).....	1
10	00-435636-00002	Scraper - Bowl (30 Qt.).....	1
11	00-916839	Bowl Scraper Assy. (40 Qt.) (Packaged).....	1
12	00-435636-00003	Scraper - Bowl (40 Qt.).....	1
13	00-916481	"P" Pastry Knife (30 & 40 Qt.) (Packaged) (Incls. Item 17).....	1
14	00-916883	Bowl Truck Assy.....	1
15	00-018682-00001	Foot.....	4
16	00-087668-00002	Caster.....	4
17	00-438079	Splash Cover & Bowl Extension (20 Qt.) (Packaged) (Lexan).....	1
18	00-438080	Splash Cover Assy. - 30 Qt. (Packaged) (Lexan).....	1
19	00-875677	Splash Cover (20 Qt.) (Packaged) (SST).....	1
20	00-874753	Plunger Assy.....	1
21	00-916684	Ingredient Chute (20 Qt.) (Packaged).....	1
22	00-438607	Ingredient Chute (30 Qt.) (Packaged).....	1



1



2

PL-65198

LABELS & NAMEPLATES

LABELS & NAMEPLATES

ILLUS.	PART NO.	NAME OF PART	AMT.
PL-PL-65198			
1	00-916957-00064	Label - Warning, Moving Parts (Trilingual).....	1
2	00-938643	Label, Legacy "+" Medium (2.81" X .478")(Starting S/N: 311628503).....	1

