



Project _____
 AIA # _____ SIS # _____
 Item # _____ Quantity _____ C.S.I. Section 114000



UHT SERIES - R290

Compact Undercounter with Drawers Refrigerator Models/Self-Contained UHD32D0-0300



STANDARD PRODUCT FEATURES

- Stainless Steel Exterior Top, Sides & Drawers
- Front Breathing Self-Contained Refrigeration System
- Environmentally Friendly R-290 Refrigerant
- Automatic Non-Electric Condensate Evaporator
- Electronic Control
- Full-Length Drawer Handle with Gasket Guard
- Magnetic Snap-In EZ-Clean Drawer Gasket(s)
- Self-Closing Stainless Steel Drawers with Stay-Open Feature
- 16-Gauge Stainless Steel Drawer with Slide
- 8' (2.4 m) NEMA Cord & Plug Attached
- Set of Four (4) 4" High Casters
- 3-Year Parts & Labor Warranty
- 2-Years Additional Compressor Parts Warranty

ACCESSORIES & OPTIONS (*field installed)

- CK20 (four 6" (15.2cm) high casters for 32" models)
- CK24 (four 3-1/2" (8.9 cm) high casters for 32" models)
- CK26 (four 2-3/4" (6.9 cm) high casters for 32" models)
- CK28 (four 2-1/2" (6.4 cm) high casters for 32" models)
- LK4 (four 6" (15.24 cm) legs for 32" models)
- Optional accessory kits shipped separately for field installation

FACTORY INSTALLED OPTIONS

Stainless Steel Finished Back

DEALERS CHOICE COMPACT UNDERCOUNTERS



This unit is listed to the applicable UL 471, CSA 120 and NSF 7 Standards by an approved NRTL. Consult the factory or unit's data plate for approval information.

AVAILABLE CONFIGURATIONS

27", 32", 60", 72" Wide Models

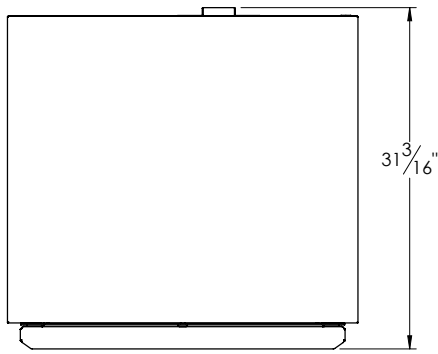
Model Door Style
 UHD32D0-0300 Two Drawer Refrigerator

Approved by _____ Date _____ Approved by _____ Date _____

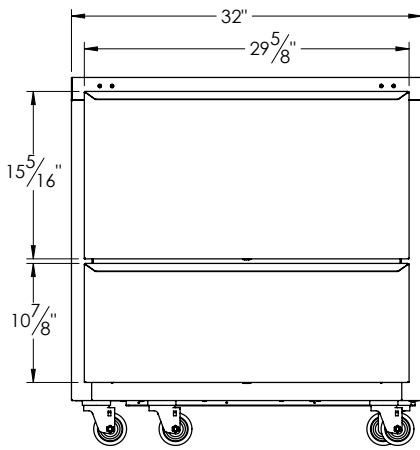


MODELS:
UHD32D0-0300

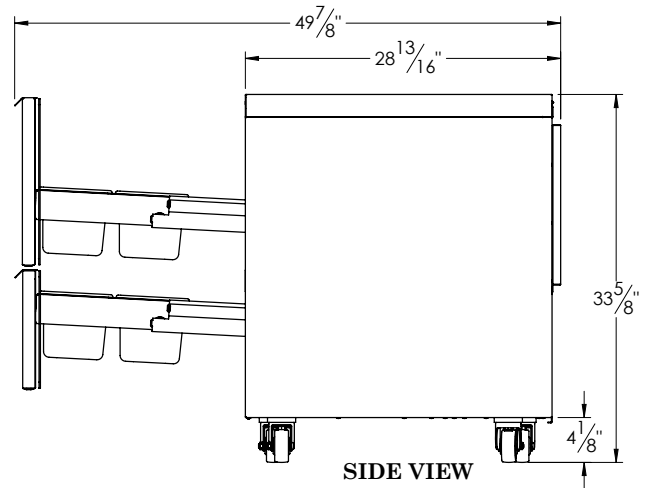
CLICK
TRANSFER
For KCL CADalog Website



TOP VIEW



ELEVATION



SIDE VIEW



COMPACT UNDERCOUNTERS - R290

with Drawers Refrigerator Models/
Self-Contained

MODELS

Door Models: UHD32D0-0300

EQUIPMENT SPECIFICATIONS

MODELS	UHD32D0-0300
CABINET DIMENSIONAL DATA	
Volume (l)	7.97 (225)
# of 1/6 size pans per drawer	8
# of drawers per cabinet	2
# of 1/6 size pans per cabinet	16
Width Cabinet	32"
Width Drawer	29 ⁵ / ₈ "
ELECTRICAL DATA & REFRIGERATION DATA 115/60/1 NEMA 5-15P	
Full Load Amps	7.2
MDEC ¹	2.31
Refrigerant	R-290
Refrigerant Amount oz. (gr)	3.5 (99)
BTU ² /HR H.P.	1680 1/5
SHIPPING DATA	
Width Crated in. (cm)	45" (114)
Volume Crated cu. ft. (l)	45 (1274)
Weight lbs. (kg) - Crated	265 (120)

CONSTRUCTION, HARDWARE, INSULATION

Cabinet exterior front, one piece sides, and drawers are constructed of 22 gauge stainless steel. The cabinet is insulated with an average of 2" thick high density, non-CFC, foamed in place polyurethane.

REFRIGERATION SYSTEM

A balanced, rear mounted, front breathing, self-contained refrigeration system using environmentally friendly, non-flammable R-450A refrigerant is provided. It features a capillary tube, air cooled 1680 BTU, 1/5 hp, hermetic compressor, a forced air evaporator coil and a non-electric condensate evaporator. An 8' (2.4m) NEMA cord and plug is provided. Standard operating temperature for refrigerator is 34° to 38°F (1.1° to 3.3°C).

CONTROLLER

An electronic digital control is supplied standard. It includes a 3-Digit LED display, and a Fahrenheit or Celsius temperature scale display capability.

DRAWERS

They are constructed using 16 gauge stainless steel drawer slides and 1 5/16" diameter stainless steel rollers. Gasket profile and material simplify cleaning and increase overall gasket life. Drawers include both a self-closing and stay-open feature.

WARRANTY

Both a three year parts and labor warranty and a five year compressor warranty (self-contained models only) are provided standard.

NOTES:

- MDEC = Maximum Daily Energy Consumption
 - Based on a 90°F ambient and 20°F evaporator.
- When ordering please specify: Voltage, Hinging, Optional Accessories and any additional warranties.
 - This unit may be manufactured in other electrical characteristics and may have additional regulatory agency approvals. Consult factory for other electrical characteristics and agency approvals based on specific electrical and country requirements. (For exact electrical information and approval marks, always refer to the data label of the unit.)

CONTINUED PRODUCT DEVELOPMENT MAY NECESSITATE SPECIFICATION CHANGES WITHOUT NOTICE.

Approved by _____ Date _____ Approved by _____ Date _____