



Project \_\_\_\_\_  
 AIA # \_\_\_\_\_ SIS # \_\_\_\_\_  
 Item # \_\_\_\_\_ Quantity \_\_\_\_\_ C.S.I. Section 114000

## R-Series

32" Width Reach-In Even-Thaw Model  
 35" Deep, Self-Contained



### STANDARD PRODUCT FEATURES

- Special Refrigeration System/Air Flow Design Promotes Rapid, Safe Thawing of Frozen Food Product
- Balanced, Self-Contained Refrigeration System Using R290 Refrigerant
- Variable Speed Compressor Adapts to Work Environment
- HACCP Compliant
- Designed to Thaw Frozen Food Product (apx. 300 lbs per section) in 24 Hours or Less
- Traulsen's Smart Control™ with LED Display
- Automatic, Hands-Free Operation (no buttons)
- Stainless Steel Exterior & Interior
- LED Light Controlled by Door Switch
- Stainless Steel One Piece Louver System
- Thermostatic Expansion Valve (TXV Metering Device)
- Air Diverter
- Full or Half-Height Stainless Steel Door(s) with Lock(s)
- Self-Closing Doors with Stay Open Feature
- Stainless Steel Breaker Caps
- Includes 14 #1 Type Trayslides (7 per section)
- Automatic Non-Electric Condensate Evaporator
- Gasket-Protecting Metal Door Liner
- Magnetic Snap-In EZ-Clean Door Gaskets
- 9' Cord & Plug Attached
- Set of (4) 6" High Adjustable Stainless Steel Legs

### ACCESSORIES & OPTIONS

- SmartConnect™ Monitoring App with Wi-Fi Connectivity
- Stainless Steel Finished Back with Rear Louvers
- Plated Shelves to Fit Trayslides
- Door Rehinging Feature
- EZ-Open™ Foot Pedal (full height doors only, 6" supports only)
- Kool Klad™ Exterior Laminate Decor
- Heat Shield
- Set of (4) 4 1/8" or 6" High Casters in Lieu of Legs
- Stainless Steel Banking Strip
- Other Support Options: 4 1/2" High Base or 6" High Kickplate (for use with standard legs)



Models listed to the applicable UL, CSA and NSF standards by an approved NRTL. Consult the factory or unit data plate for additional information.

### AVAILABLE CONFIGURATIONS

<b>R-Series Models</b>	<b>Door(s)</b>
RET132EUT-FHS	Full Height Solid
RET132EUT-HHS	Half Height Solid

- GUARANTEED FOR LIFE CAM-LIFT HINGES
- GUARANTEED FOR LIFE HORIZONTAL WORKFLOW DOOR HANDLES

\*Traulsen's Even-Thaw models are solely intended for thawing, and not for use as holding cabinets.<sup>3</sup>

Approved by \_\_\_\_\_ Date \_\_\_\_\_ Approved by \_\_\_\_\_ Date \_\_\_\_\_

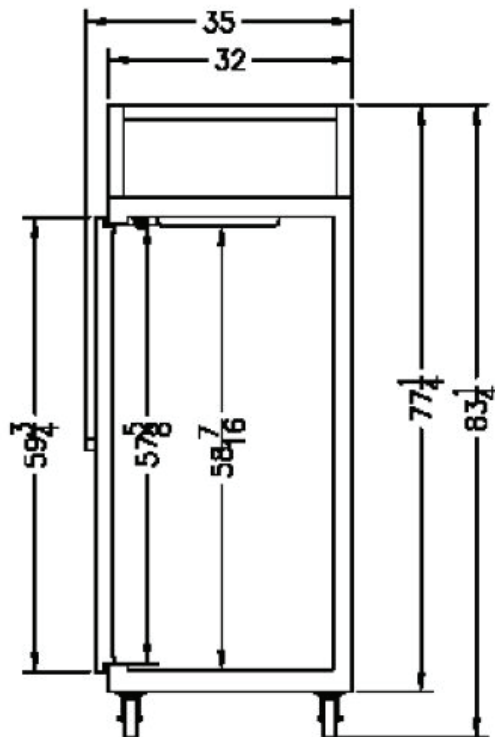
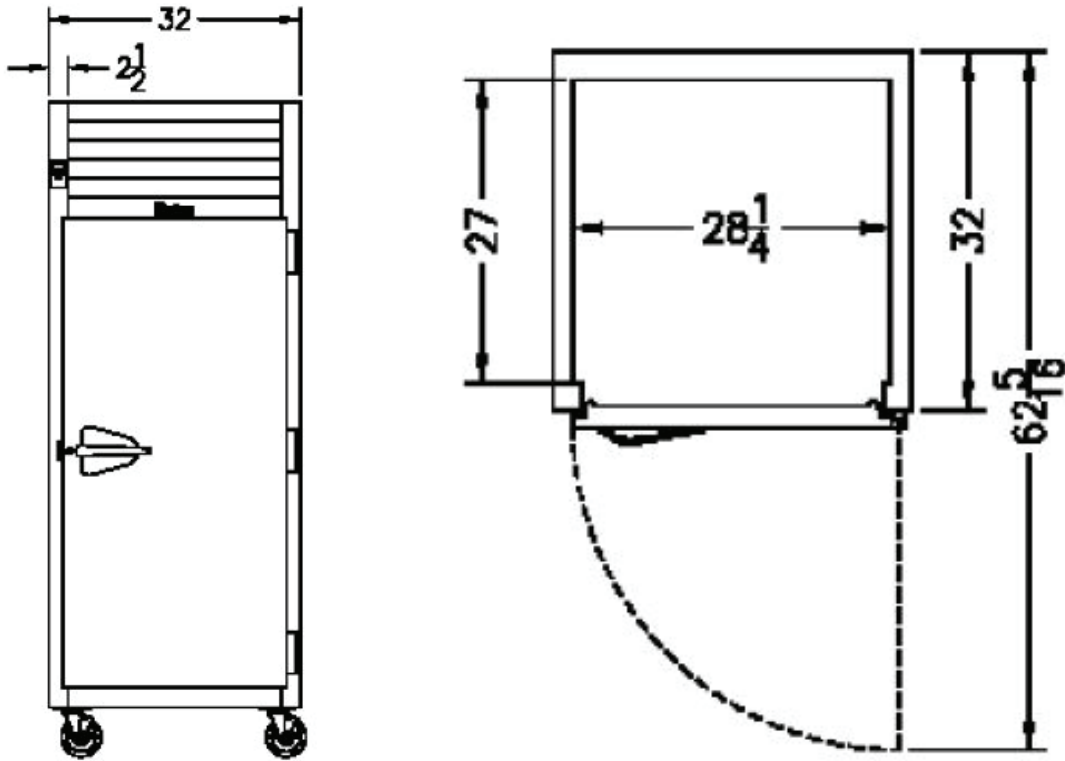


# R-Series

32" Width Reach-In Even-Thaw Model  
35" Deep, Self-Contained

## MODEL

RET132EUT-HHS  
RET132EUT-FHS



CAD and/or Revit Files Available

<https://traulsen.kclcad.com/>

## MODEL

RET132EUT-HHS  
RET132EUT-FHS

## EQUIPMENT SPECIFICATIONS

MODELS	RET132EUT
<b>DIMENSIONAL DATA</b>	
Net capacity cu. ft.	18.18 [514.8 cu l]
Length - overall in.	32" [81.3 cm]
Depth - overall in.	35" [88.8 cm]
Depth - over body in.	32" [81.3 cm]
Depth - door open 90° in.	62 5/16" [158.3 cm]
Clear door width in.	26 1/2" [67.3 cm]
Clear half-door height in.	27 13/16" [70.65 cm]
Clear full-door height in.	58 5/8" [148.9 cm]
Height - overall on 6" legs <sup>2</sup>	83 1/4" [211.5 cm]
Pan Capacity - 18" x 26"	14
Pan Capacity - 14" x 18"	28
<b>ELECTRICAL DATA</b>	
Voltage   Plug	115/60/1   NEMA 5-20P
Full Load Amperes	7.6
<b>REFRIGERATION DATA</b>	
Refrigerant	R290
Refrigerant Charge Amount oz.	4.8 [136 g]
BTU/HR   H.P. <sup>1</sup>	2875   1/2 HP
<b>SHIPPING DATA</b>	
Length - Crated in.	48" [121.9 cm]
Width - Crated in.	42" [106.7 cm]
Height - Crated in.	85" [216 cm]
Volume - Crated cu. ft.	99 [2803.4 cu l]
Weight - Crated lbs.	450 [204 kg]

NOTES: Figures in parentheses reflect metric equivalents.

1. Based on a 90°F ambient and 20°F evaporator.
2. 12" Top clearance preferred for optimum performance & service access.
3. Traulsen's even thaw's are solely intended for thawing, and not for use as holding cabinets.

### CONSTRUCTION, HARDWARE, INSULATION

Cabinet exterior front, one piece sides, louver assembly & door is constructed of heavy gauge stainless steel. Cabinet interior & door liner is also constructed of heavy gauge stainless steel. The exterior cabinet top, back & bottom are constructed of heavy gauge galvanized steel. A set of four (4) adjustable 6" high stainless steel legs are included.

Doors are equipped with removable plug cylinder locks and guaranteed for life gravity action, self-closing metal, cam-lift hinges with a stay open feature. Guaranteed for life, work flow door handle is mounted horizontally over recess in door which limits protrusion from door face into aisle ways.

Gasket profile and EZ-Clean™ material simplify cleaning and increase overall gasket life. Anti-condensate heaters are located behind each door opening. Cabinet and door contains high density, non-CFC, foamed in place polyurethane insulation.

### SELF-CONTAINED REFRIGERATION SYSTEM

A top mounted, self-contained, balanced refrigeration system using environmentally friendly, low GWP R290 refrigerant is conveniently located behind the one piece louver assembly. It features a large high humidity evaporator coil located outside the food zone, a variable speed compressor and a top mounted non-electric condensate evaporator. Heaters and fans mounted in the mullion facilitate the Even Thaw process. Standard operating temperature is 37-41°F. System automatically reverts to refrigeration when product is thawed.

### CONTROL

Traulsen's Smart Control™ features advanced control algorithms & sophisticated diagnostic capabilities to optimize performance. Utilizing smart sensors, it adapts the operation of the refrigeration system to a variety of environments & usage patterns. The Smart Control™ also offers a complete set of visual alarms designed to alert the user to critical events such as power outages or a prolonged door opening. In the event of an alarm, a dedicated Alarm LED will illuminate, informing the user of the critical event and duration.

### INTERIOR

Standard interior arrangements include fourteen (14) #1 trayslides, fourteen per section. Each pair of trayslides can accommodate either: (1) 18" x 26" or (2) 14" x 18" pans.

### WARRANTY

Both a six year parts and labor warranty and a seven year compressor warranty (self-contained models only) are provided standard.

When ordering please specify: Voltage, Hinging, Options

Equipped with one NEMA 5-20P Plug

