



Project \_\_\_\_\_  
 AIA # \_\_\_\_\_ SIS # \_\_\_\_\_  
 Item # \_\_\_\_\_ Quantity \_\_\_\_\_ C.S.I. Section 114000



## HGC20 SERIES

### Half-Size Gas Convection Oven



### SPECIFIER STATEMENT

Half size gas convection oven, Model No. HGC20. Porcelain enamel on steel oven interior measures 15 $\frac{1}{4}$ "w x 21"d x 20"h. Furnished with nine position nickel plated rack guides and five nickel plated racks measuring 14 $\frac{3}{8}$ " x 20 $\frac{7}{8}$ " per section. Heated by 25,000 BTU/hr. gas burner per section. Electronic spark ignition system. Stainless steel front, sides and top enclosure panel. Insulation applied to the top, rear, both sides, bottom and door. Stainless steel door(s) with double pane window(s). Solid state temperature controls adjustable from 200° to 500°F. 60 minute electrical timer(s) with continuous sounding buzzer. Single speed  $\frac{1}{2}$  H.P. permanently lubricated oven blower motor(s). Requires 120/60/1 power supply. 8 amps total draw (per section). Each oven furnished with cord and plug.

### MODELS

- HGC201** Half size gas convection oven
- HGC202** Double deck half size gas convection oven

### STANDARD FEATURES

- + Stainless steel front, sides and top enclosure panel
- + Stainless steel door(s) with double pane window(s)
- + Cool to the touch oven door handle(s)
- + Stainless steel oven door gaskets
- + 25,000 BTU/hr. input (per section)
- + Electronic spark ignition system
- + Solid state temperature control(s) adjust from 200° to 500°F
- + 60 minute electric timer with time expired buzzer
- +  $\frac{1}{2}$  H.P. single speed fan motor (per section)
- + Oven cool switch for rapid cool down when door is open
- + Oven interior liners are porcelain on steel
- + Nine position rack guide with five nickel plated racks (per section)
- + 4" adjustable chrome plated legs (HGC201 only)
- + Manual shut-off valve and gas pressure regulator;  $\frac{3}{4}$ " gas connection required
- + Requires 120/60/1 power supply; 8 amps total draw (per section); furnished with cord and plug
- + One year limited parts and labor warranty

### OPTIONS (Available at extra cost)

- Set of four 13 $\frac{1}{2}$ " stainless steel legs with adjustable feet and stack set (HGC201 only)
- Set of four 13 $\frac{1}{2}$ " stainless steel legs with casters and stack set (HGC201 only)
- Stainless steel stand with adjustable stainless steel legs with feet and nine position rack storage; legs are adjustable from 23 $\frac{3}{4}$ " to 24 $\frac{3}{4}$ " (HGC201 only)
- Stainless steel stand with adjustable stainless steel legs with casters and nine position rack storage; legs are adjustable from 28" to 29 $\frac{1}{8}$ " (HGC201 only)
- 16 $\frac{3}{4}$ " adjustable stainless steel legs with casters (HGC202 only)
- Additional oven racks
- Rack hanger
- Second year extended limited parts and labor warranty

HGC20 SERIES HALF-SIZE GAS CONVECTION OVEN

Approved by \_\_\_\_\_ Date \_\_\_\_\_ Approved by \_\_\_\_\_ Date \_\_\_\_\_



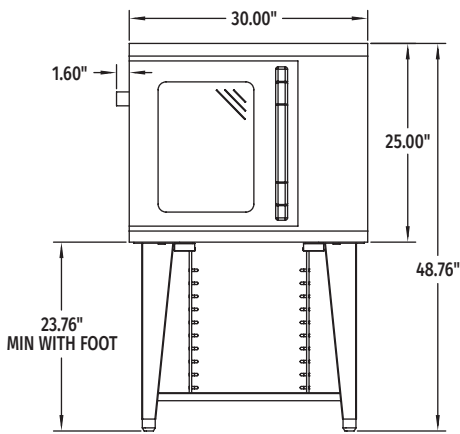
# HGC20 SERIES

## Half-Size Gas Convection Oven

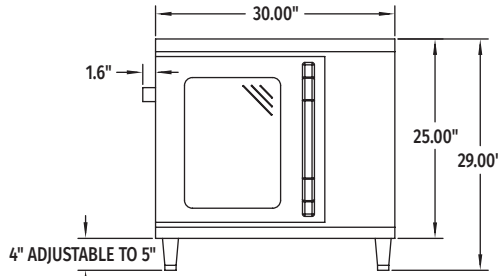
### INSTALLATION INSTRUCTIONS

1. A gas pressure regulator sized for this unit is included. Natural gas 3.5" W.C., propane gas 10.0" W.C.
2. These units are manufactured for installation in accordance with ANSZ223.1 (latest edition), National Fuel Gas Code. Copies may be obtained from American Gas Association Inc., Accredited Standards Committee Z223, 400 N. Capitol St. NW, Washington, DC 20001 or the Secretary Standards Council, NFPA, 1 Batterymarch Park, Quincy, MA 02169-7471.
3. This appliance must be installed with a 3" clearance at both sides and the rear adjacent to combustible or noncombustible construction.
4. This appliance must be installed on 4" legs or a leg stand.
5. This appliance is manufactured for commercial installation only and is not intended for home use.

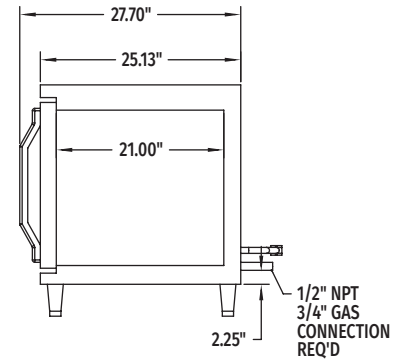
| Model No. | Weight                |     |                          |     |
|-----------|-----------------------|-----|--------------------------|-----|
|           | With Skid & Packaging |     | Without Skid & Packaging |     |
|           | Lbs.                  | KG  | Lbs.                     | KG  |
| HGC201    | 259                   | 117 | 227                      | 103 |
| HGC202    | 518                   | 234 | 454                      | 206 |



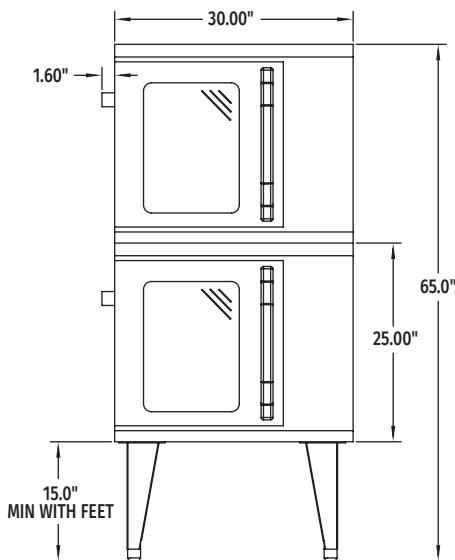
HGC201 Front View with Stand



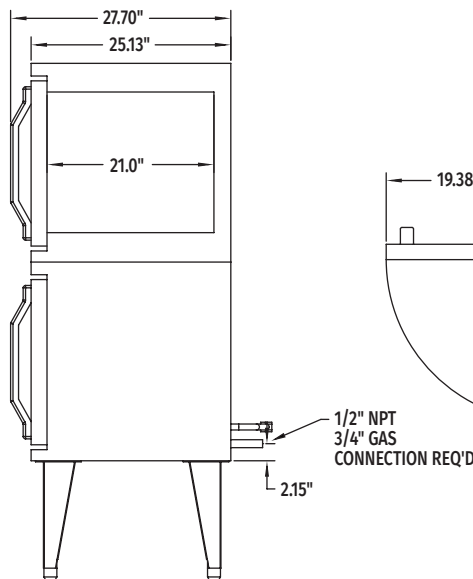
HGC201 Front View



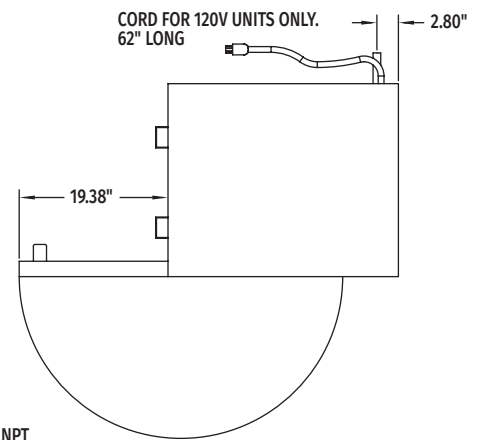
HGC201 Side View



HGC202 Front View



HGC202 Side View



Top View All Models