

**HOBART**701 S Ridge Avenue, Troy, OH 45374  
1-888-4HOBART • www.hobartcorp.com

# ENHANCED ACCESS AUTOMATIC WRAPPING SYSTEM

**HOBART**

## STANDARD FEATURES

- Fully automatic - operator places package into the Enhanced Access, weighing, wrapping and labeling is all done automatically.
- System automatically shuts down when not in use
- "Hose-downable" cleaning
- 2 rolls of film to simplify film requirements
- Wraps and labels up to 30 packages per minute
- Auto off/on timer for heated sealer belt
- Swivel wand allows for label placement on all four corners of the meat package
- Automatic label rotation
- Intuitive operator diagnostics to reduce service calls
- Package range up to 10" L X 16" W X 6" H (25D & 1014 trays)

## ACCESSORIES

- SHELF-ACCESS Side Shelf (Left or Right)
- RBG-2 Rotary Bin Gravity with Casters
- HRT5-3 Roller Discharge Table
- GRVCON-1 4 ft. Discharge Roller Conveyor
- BLA Bottom Label Applier



## MODELS

- AWS-3LR Wrapping System (Left to Right)
- AWS-3RL Wrapping System (Right to Left)

## OPTIONS AT EXTRA COST

- EPP-3 Access Prepack Printer
- EPCP-5i1 HT Series Console Functionality with Linux OS and 10" screen

Specifications, Details and Dimensions on Inside and Back.

**ENHANCED ACCESS AUTOMATIC WRAPPING SYSTEM**

# ENHANCED ACCESS AUTOMATIC WRAPPING SYSTEM

**HOBART**

701 S Ridge Avenue, Troy, OH 45374  
1-888-4HOBART • www.hobartcorp.com

## SPECIFICATIONS

### WEIGHING

**Capacity** – 30 lbs. (Manual) 15 lbs. (Automatic mode)

**Weighing increments** – dual range capable,  
12 lb. x .005 and 30 lb. x .01 lb

**Minimum weight to print** – .20 lb

### LABELING

**Label Width** – 1.5", 2.25" and 3.0"

**Label Length** – 1.5" up to 4.0" in .5" inch increments

### WRAPPING

**Package Size Width** – 4.5" min, 16" max

**Length** – 4.5" min, 10.1" max

**Height** – .4" min, 6.0" max

**Wrapping Speed** – Maximum of 30 packages per minute

**Number of Film Rolls** – 2

**Type of Film Used** – PVC

**Film Thickness** – 60 gauge min, 100 gauge max

**Film Core Size** – 3" I.D.

**Film Maximum Diameter** – 9.5" O.D.

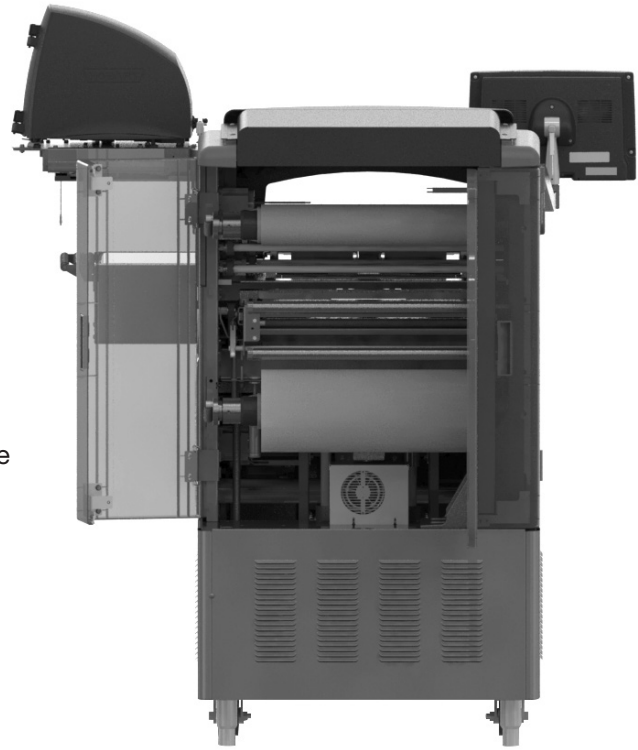
**Film Widths** – 14" min, 20" max

### ELECTRICAL

220 (4 wire-2 hot lines, neutral & ground) 60 cycle,  
1 phase, 20 amps

### SHIPPING WEIGHT

Approximately 1,300 lbs.

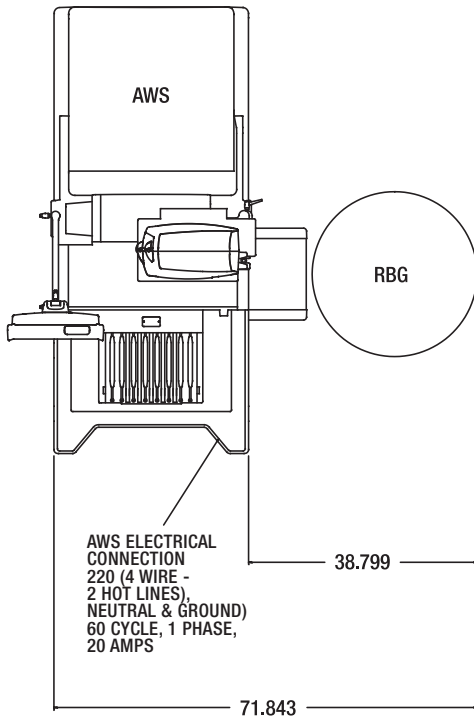


Film load area at rear of wrapper

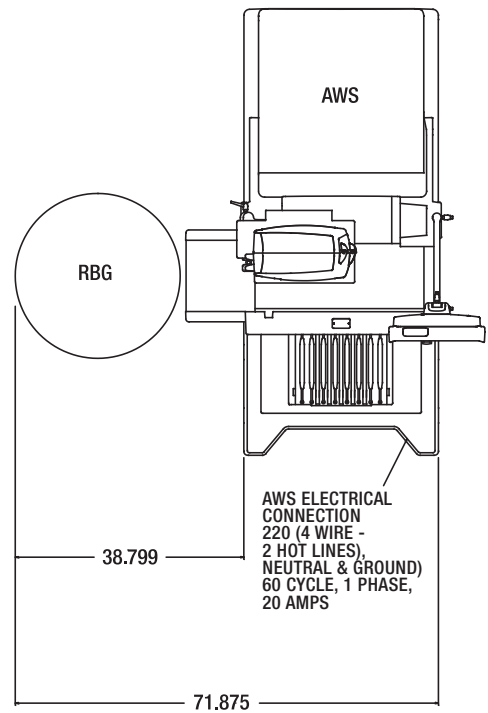


701 S Ridge Avenue, Troy, OH 45374  
 1-888-4HOBART • www.hobartcorp.com

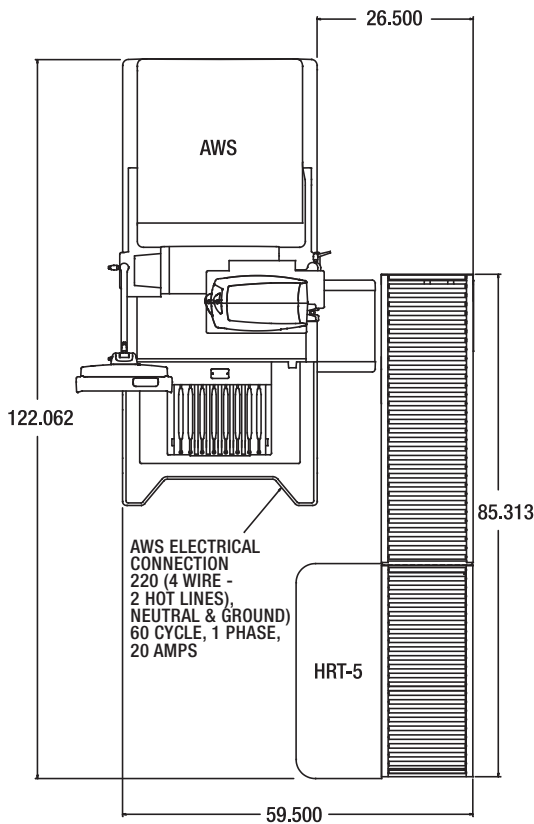
# ENHANCED ACCESS AUTOMATIC WRAPPING SYSTEM



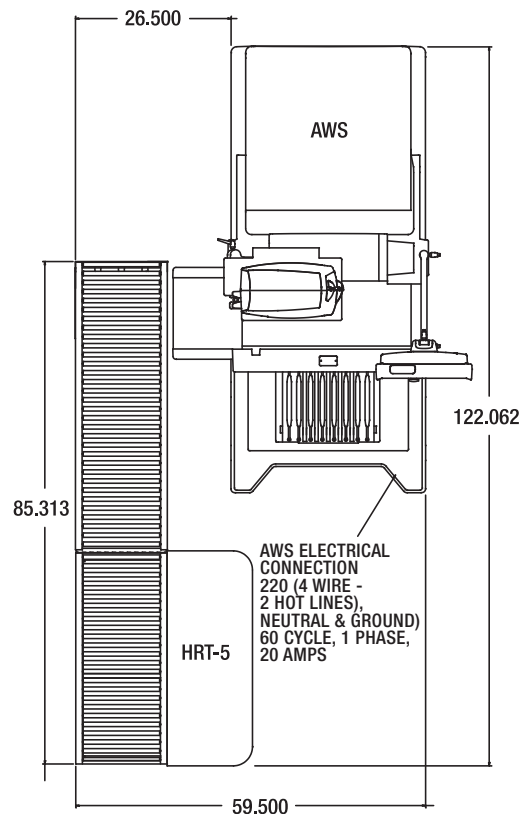
Enhanced Access Wrapping System with RGB L-R



Enhanced Access Wrapping System with RGB R-L



Enhanced Access Wrapping System with HRT5 L-R



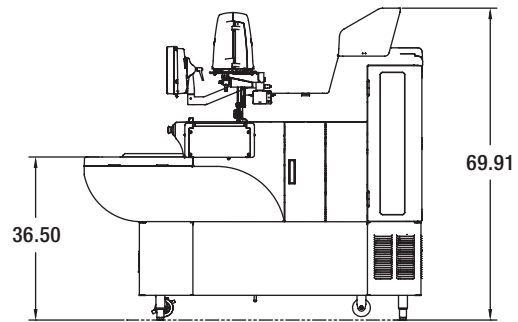
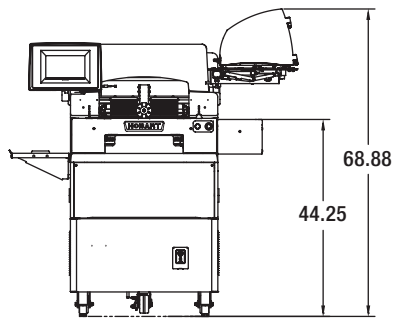
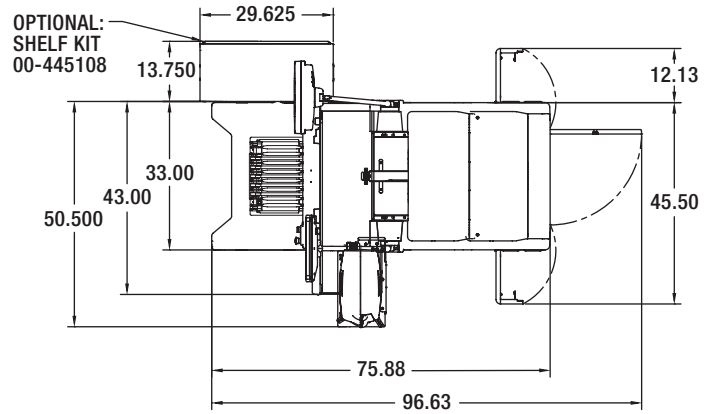
Enhanced Access Wrapping System with HRT5 R-L

# ENHANCED ACCESS AUTOMATIC WRAPPING SYSTEM

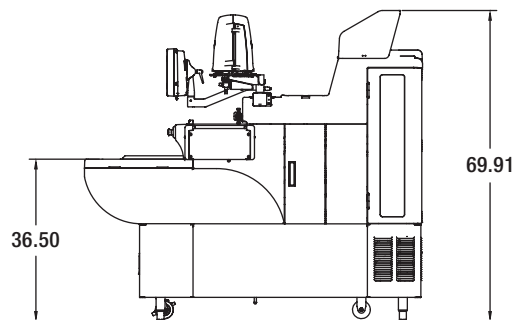
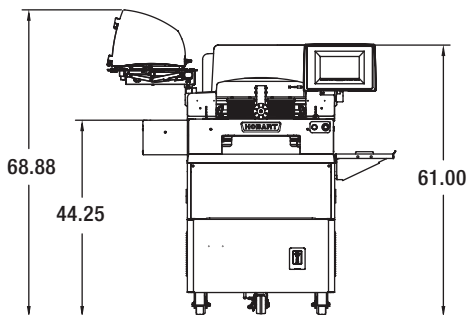
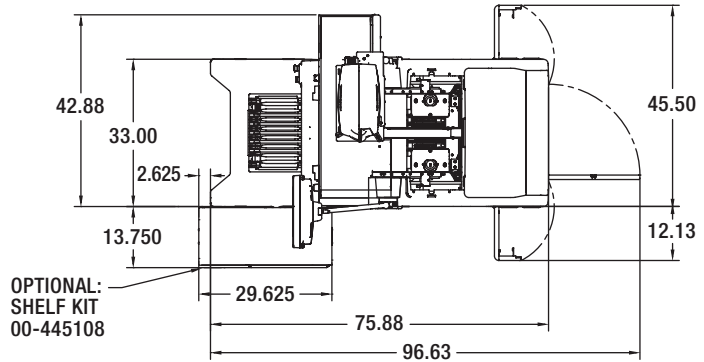


701 S Ridge Avenue, Troy, OH 45374  
1-888-4HOBART • www.hobartcorp.com

## DETAILS AND DIMENSIONS



### Left to Right Operation



### Right to Left Operation

As continued product improvement is a policy of Hobart, specifications are subject to change without notice.