



CATALOG OF REPLACEMENT PARTS



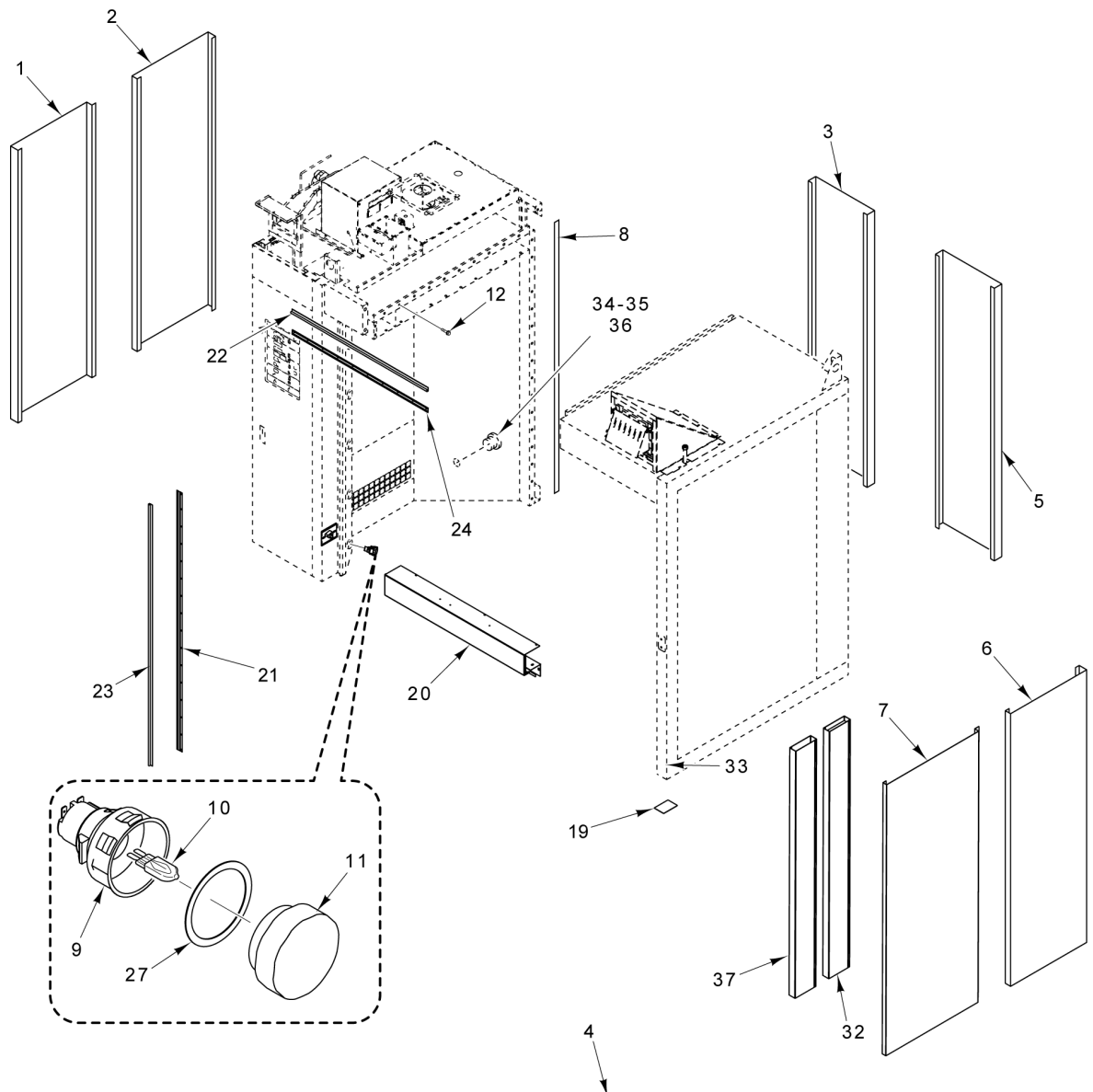
CS500G2 GAS RACK OVEN

ML-132594

CS500G2

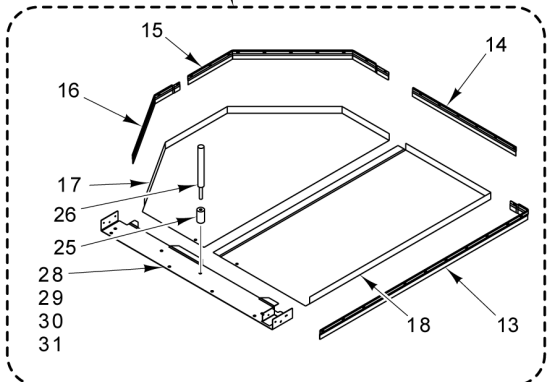
Table of Contents

5	CABINET
7	BLOWER, PANELS, AND VENTS
9	CEILING AND SHUTTERS
11	STEAMER ASSEMBLY
13	EXTERIOR WATER SUPPLY
15	DRAFT INDUCER
17	CONTROL CABINET, DOOR, AND CONTROLLER
19	GAS BURNER AND HEAT CIRCULATION
21	GAS SUPPLY PLUMBING
23	COMPONENT BOX
25	LOADING DOOR
27	LIFTER
29	ROTATOR
31	CARRIER
33	HOOD - TYPE II



38 01-1000V5-00138 Terminal
 39 01-1M7339-00002 Kit - Insulation
 40 01-1M7340-00002 Kit - Insulation

PARTS NOT ILLUSTRATED

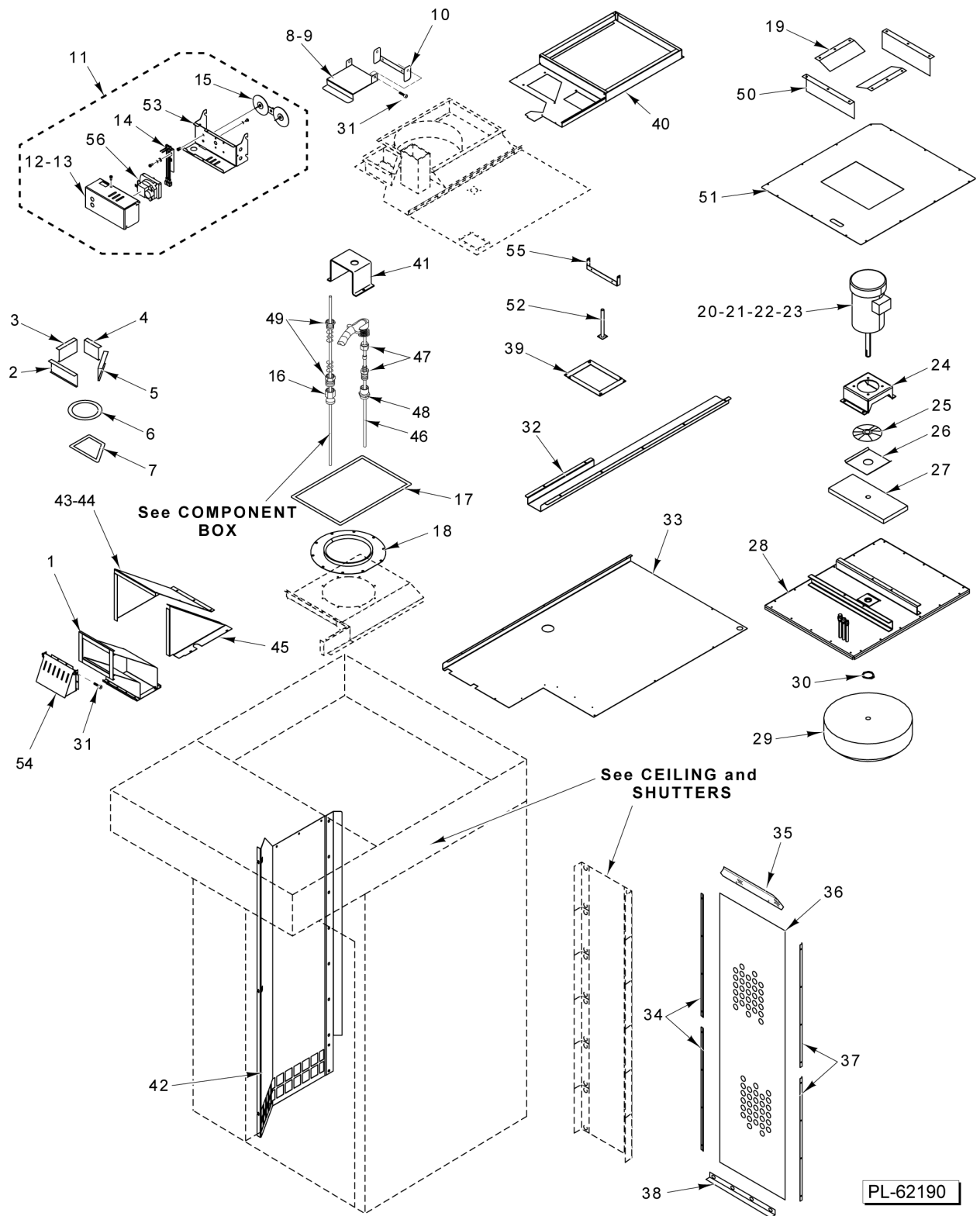


PL-62164

CABINET

CABINET

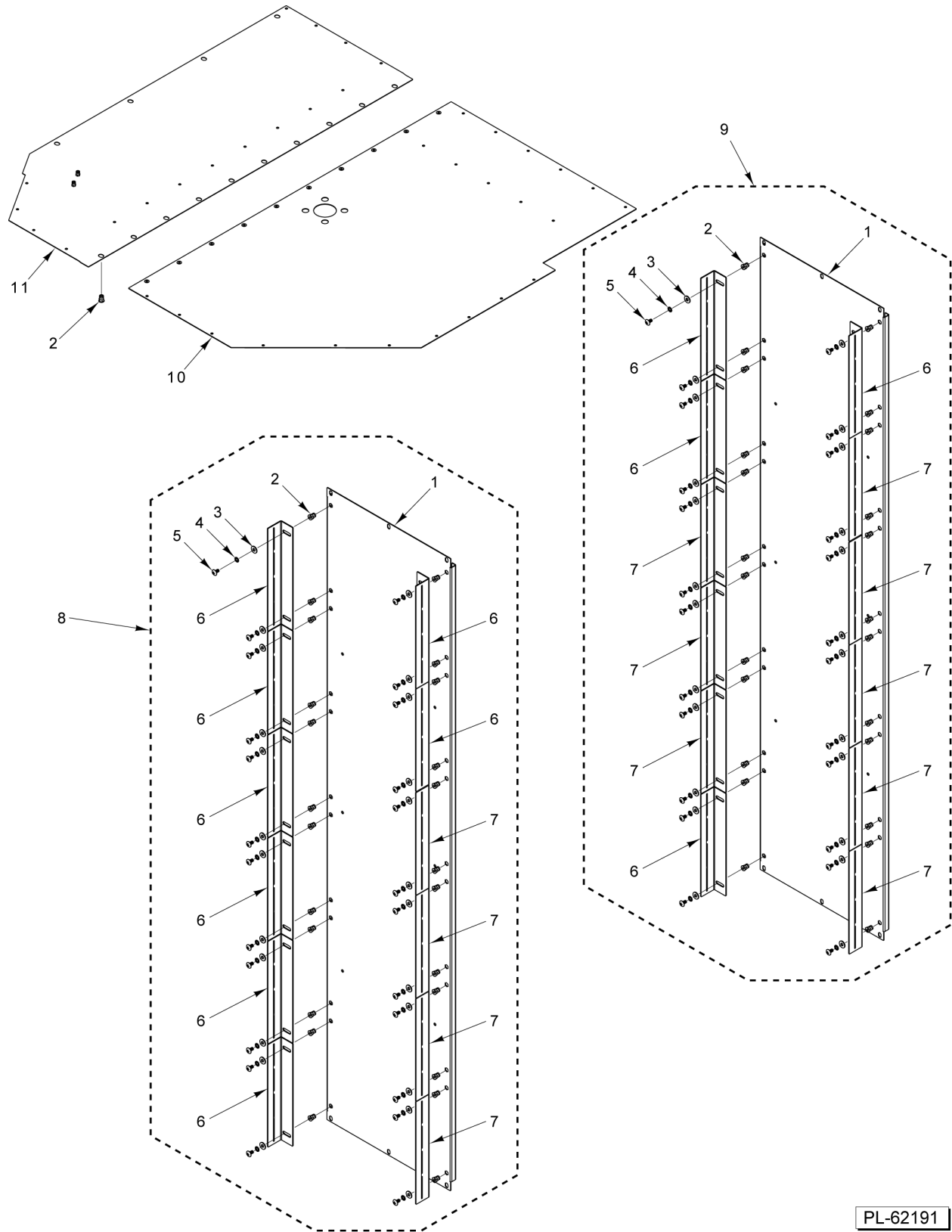
ILLUS. PL-62164	PART NO.	NAME OF PART	AMT.
1	01-1M7061-00202	Skin - Outer (22.475 In.).....	1
2	01-1M7061-00201	Skin - Outer (28.625 In.).....	1
3	01-1M7061-00201	Skin - Outer (28.625 In.).....	1
4	01-1M7104-00002	Kit - Floor (With Install Hardware) (Incls. Items 13 thru 18).....	1
5	01-1M7061-00201	Skin - Outer (28.625 In.).....	1
6	01-1M7061-00202	Skin - Outer (22.475 In.).....	1
7	01-1M7061-00201	Skin - Outer (28.625 In.).....	1
8	01-100V21-0065A	Tape - Fiberglass (1/8 x 1) (With Adhesive) (Sold Per Foot).....	AR
9	01-1000V7-00053	Lamp - Oven (Complete) (Lens, Base, & Bulb).....	5
10	01-1000V7-00054	Bulb - Halogen G9 Base.....	AR
11	01-1000V7-0027L	Lens - Glass.....	AR
12	01-1000V4-00283	Mach. Screw 1/4-20 x 3/4 Hex Washer Hd. (SST).....	AR
13	01-1M7105-00201	Trim - Floor Assy. (RH).....	1
14	01-1M7105-00202	Trim Assy. - Floor (Rear).....	1
15	01-1M7105-00203	Trim - Rear Floor (Left Rear).....	1
16	01-1M7105-00204	Trim - Front Floor (Left Front).....	1
17	01-1M7102-00002	Skin - Floor (LH).....	1
18	01-1M7101-00002	Skin - Floor (RH).....	1
19	01-1M5610-00201	Shim - Jamb Plate.....	AR
20	01-1M7031-00002	Header - Loading Door (Top).....	1
21	01-1M7090-00202	Retainer - Gasket (Loading Door).....	2
22	01-100V16-0789B	Gasket - Loading Door (Horizontal) (45.31 In.).....	1
23	01-100V16-0789A	Gasket - Loading Door (Vertical) (75.25 In.).....	2
24	01-1M7090-00201	Retainer - Gasket (Horizontal).....	1
25	01-1000V4-00073	Anchor - Drop-In 1/4-20.....	1
26	01-1000V4-0073A	Tool - Setting (1/4 In.).....	1
27	01-1000V7-0027G	Gasket.....	AR
28	01-1M7047-00201	Threshold Weldment.....	1
29	01-1000V4-00221	Mach. Screw 1/4-20 x 1/2 Phil. Flat Hd. (SST).....	AR
30	01-1000V4-00222	Mach. Screw 1/4-20 x 3/4 Phil. Flat Hd. (SST).....	AR
31	01-1000V4-00223	Mach. Screw 1/4-20 x 1 Phil. Flat Hd. (SST).....	AR
32	01-1M2566-00001	Duct - Side (Rear).....	1
33	01-1M2335-00001	Wheel (For Installation).....	1
34	01-100V17-00859	Pipe 1/2 NPT x 5 (SST).....	1
35	01-100V17-00767	Pipe 1/2 NPT X 10 (SST) (SST).....	1
36	01-100V17-00860	Tee 1/2 NPT (SST).....	1
37	01-1M2089-00001	Duct - Bottom Vent (Front).....	1
38	01-1000V5-00138	Terminal - Straight Female Insulated.....	AR
39	01-1M7339-00002	Kit - Insulation (Complete Oven Kit).....	1
40	01-1M7340-00002	Kit - Insulation, Oven (Split Bag).....	1



BLOWER, PANELS, AND VENTS

BLOWER, PANELS, AND VENTS

ILLUS.	PART NO.	NAME OF PART	AMT.
PL-62190			
1	01-1M7066-00002	Duct - Vent.....	1
2	01-1M5015-00001	Retainer - Exhaust Stack Packing, Front.....	1
3	01-1M5015-00004	Retainer - Exhaust Stack Packing.....	1
4	01-1M5015-00003	Retainer - Exhaust Stack Packing.....	1
5	01-1M5015-00002	Retainer - Exhaust Stack Packing.....	1
6	01-100V21-00072	Rope - Glass (3/4 Dia.) (Sold Per Inch).....	AR
7	01-1M5982-00204	Collector (Top Gap Filler).....	1
8	01-1M6550-00101	Bracket - Vent Lid.....	1
9	01-1M6549-00001	Vent - Intake Lid.....	1
10	01-100V16-00682	Gasket - Vent Duct.....	1
11	01-1M6551-00001	Vent - Motor Actuator - Assy. (Incls. Items 12 thru 15, 53, & 56).....	1
12	01-1M6551-00102	Bracket - Vent Cover.....	1
13	01-1M7509-00001	Kit, Vent Motor Replacement.....	1
14	01-1M6552-00001	Vent Switch Assy.....	1
15	01-1M6553-00001	Cam - Vent Switch.....	1
16	01-100V17-00281	Coupler - Reducer 3/8 to 1/4.....	1
17	01-100V16-00682	Gasket - Vent Duct (Sold Per Inch).....	AR
18	01-1M7056-00002	Bell - Inlet.....	1
19	01-1M1895-00001	Cover - Blower Insulation.....	2
20	01-1M7057-00002	Blower Assy. (3 Ph.) (Incls. Items 22 & 24 thru 30).....	1
21	01-1M7057-00004	Blower Assy. (1 Ph.) (Incls. Items 23 & 24 thru 30).....	1
22	01-1000V8-00052	Motor - Blower (3 Ph., 1-1/2 Hp.).....	1
23	01-1000V8-00067	Motor - Blower (1 Ph., 2 Hp.).....	1
24	01-1M1360-00001	Mount - Blower Motor.....	1
25	01-1M2458-00001	Heat Slinger Assy.....	1
26	01-1M1794-00001	Cover - Blower Insulation.....	1
27	01-1M1795-00001	Insulation - Blower.....	1
28	01-1M7058-00002	Weldment - Blower Mount.....	1
29	01-1000V8-00058	Wheel - Blower (18 In. Dia.).....	1
30	01-1000V1-00028	Ring - Snap.....	1
31	01-1000V4-00572	Shoulder Screw, #10-32 X 3/8 Thread Length, .25 DIA X 3/8 Shoulder Length.....	4
32	01-1M7060-00202	Ceiling Skin - Channel Access.....	1
33	01-1M7060-00201	Ceiling Skin - Body (RH).....	1
34	01-1M5686-00206	Retainer - Pressure Panel.....	2
35	01-1M5686-00207	Retainer - Pressure Panel Top.....	1
36	01-1M2572-00001	Screen - Pressure Panel.....	1
37	01-1M5686-00206	Retainer - Pressure Panel.....	2
38	01-1M5686-00205	Retainer - Pressure Panel.....	1
39	01-1M5868-00001	Power Vent - Filler Duct.....	1
40	01-1M7059-00002	Body - Insulation Blower Cover.....	1
41	01-1M1433-00001	Protector - Thermocouple.....	1
42	01-1M7051-00002	Panel - Suction.....	1
43	01-1M6814-00001	Duct Assy. (Incls. Items 44 & 45).....	1
44	01-1M6814-00101	Cover - Duct (Side).....	1
45	01-1M6814-00102	Cover - Duct (Top).....	1
46	01-1A1828-00001	Kit - Thermocouple.....	1
47	01-100V17-00279	Fitting 1/4 x 3/16.....	1
48	01-100V17-00257	Coupling 1/4 NPT (Brass).....	1
49	01-100V17-00304	Kit - Stuffing Box.....	1
50	01-1M2227-00001	Liner - Blower Insulation Cover.....	2
51	01-1M6955-00205	Cover - Blower Insulation.....	1
52	01-1M6774-00001	Tube - Weldment Highlimit.....	1
53	01-1M6551-00101	Bracket - Mounting (Vent).....	1
54	01-1M5624-00001	Over Pressure Vent Assy.....	1
55	01-1M6550-00101	Bracket - Vent Lid.....	1
56	01-1000V8-00179	Motor - Vent Gear (4 RPM, 1/250 HP).....	1



PL-62191

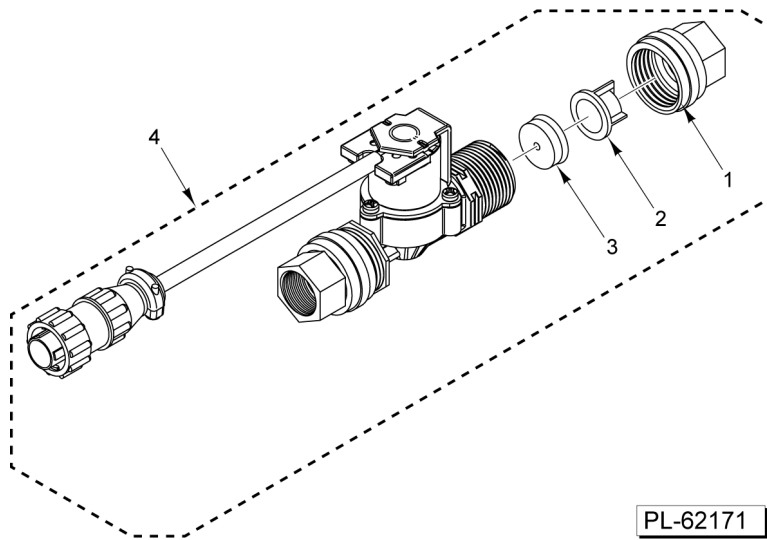
CEILING AND SHUTTERS

CEILING AND SHUTTERS

ILLUS.	PART NO.	NAME OF PART	AMT.
PL-62191			
1	01-1M2096-00002	Body - Pressure Panel Shutter Support.....	1
2	01-1000V4-00122	Insert - Threaded 1/4-20.....	AR
3	01-1000V4-00433	Washer 1/4 In. (SST).....	AR
4	01-1000V4-00470	Lockwasher 1/4 In. (SST).....	AR
5	01-1000V4-00503	Mach. Screw 1/4-20 x 1/2 In. (SST).....	AR
6	01-1M5459-00001	Shutter - Pressure Panel 90 Deg.....	AR
7	01-1M5459-00002	Shutter - Pressure Panel 97 Deg.....	AR
8	01-1M5177-00002	Pressure Panel Assy. (60 Hz).....	1
9	01-1M5177-00004	Pressure Panel Assy. (50 Hz).....	1
10	01-1M7049-00004	Ceiling Assy. - False (RH).....	1
11	01-1M7049-00002	Ceiling Assy. - False (LH).....	1

STEAMER ASSEMBLY

ILLUS. PL-62169	PART NO.	NAME OF PART	AMT.
1	01-1000V4-00009	Screw - Sheet Metal Hex Hd. #10 X 3/4 In.....	AR
2	01-1000V4-00122	Insert - Threaded 1/4-20.....	AR
3	01-1000V4-00283	Mach. Screw 1/4-20 x 3/4 Hex Washer Hd. (SST).....	AR
4	01-100V16-00529	Casting - Steamer.....	20
5	01-100V17-00183	Coupler 1/2 In. (SST).....	2
6	01-100V17-00347	Elbow 1/2 In. x 90 Deg. (SST).....	1
7	01-100V17-00534	Pipe 1/2 x 3-1/2 (SST).....	1
8	01-100v17-00515	Pipe 1/2 x 13 In. (SST).....	2
9	01-100V17-00766	Plug - 1/2 NPT.....	1
10	01-100V17-00767	Pipe 1/2 NPT X 10 (SST).....	1
11	01-100V17-00859	Pipe 1/2 NPT x 5 (SST).....	1
12	01-100V17-00860	Tee 1/2 NPT (SST).....	1
13	01-1M2161-00001	Screw - Leveler.....	1
14	01-1M5065-00001	Bracket - Water Guide.....	7
15	01-1M6325-00002	Sheet - Splash.....	1
16	01-1M7052-00002	Panel - Suction Top.....	1
17	01-1M7065-00001	Angle, Steamer Box.....	1
18	01-1M7100-00001	Sprayer - Steam Manifold.....	1
19	01-1M7100-00006	Manifold Assy. (Incls. Items 5, 8, & 18).....	1
20	01-1M7636-00002	Panel - Steamer Rear.....	1
21	01-1M7619-00002	Pan - Drain.....	1
22	01-1M7619-00103	Clip - Retainer.....	1

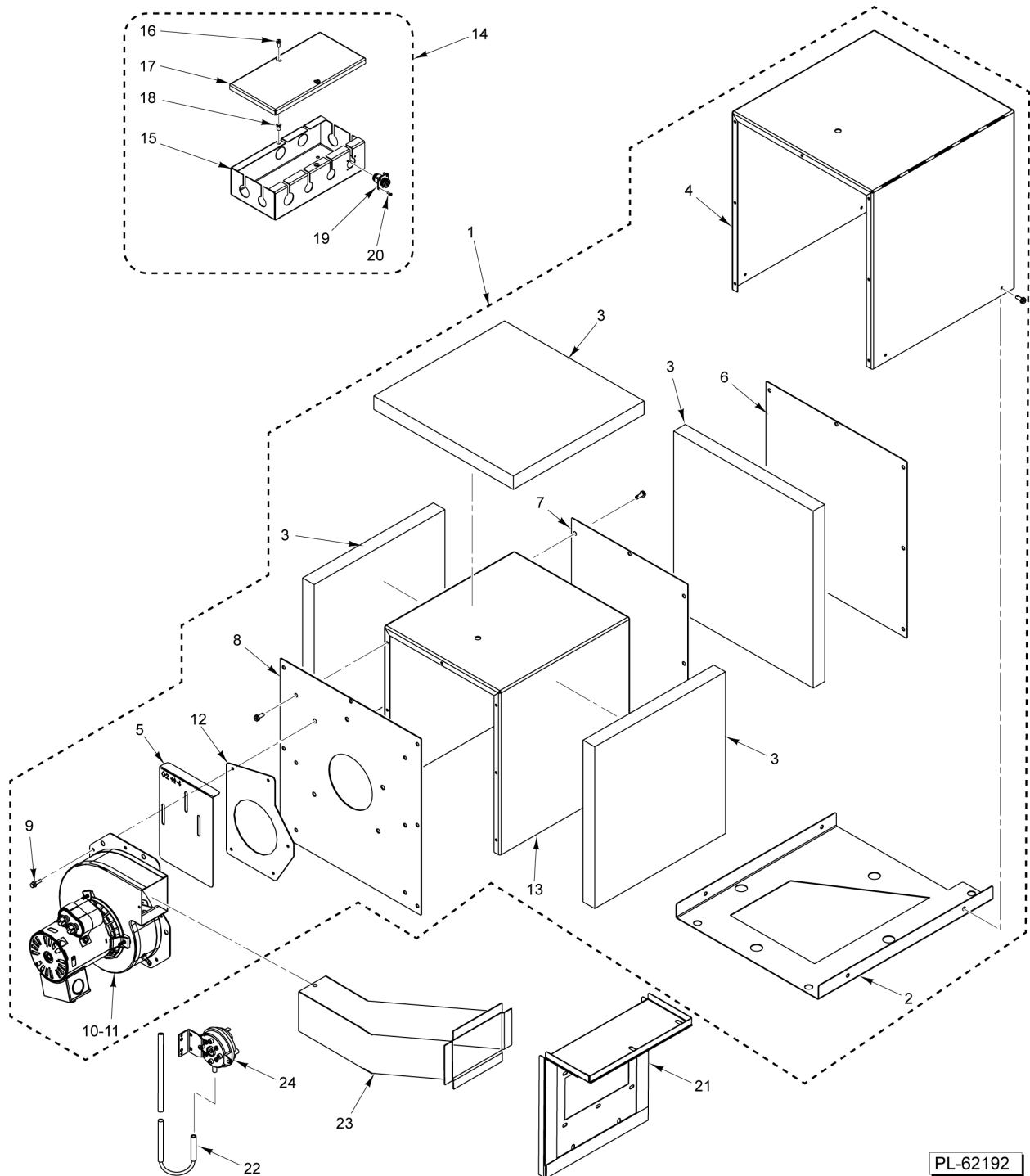


PL-62171

EXTERIOR WATER SUPPLY

EXTERIOR WATER SUPPLY

ILLUS. PL-62171	PART NO.	NAME OF PART	AMT.
1	01-100V17-00830	Adapter - Hose to Pipe 3/4 GHTF x 1/2 NPTF.....1	1
2	01-100V17-00838	Filter - Solenoid Valve (R Series Inlet).....1	1
3	01-100V17-00840	Restrictor - Flow (White 3 GPM) (Double Rack Oven).....1	1
4	01-1M7494-00001	Kit - Water Solenoid (Incls. Items 1 thru 3).....AR	AR



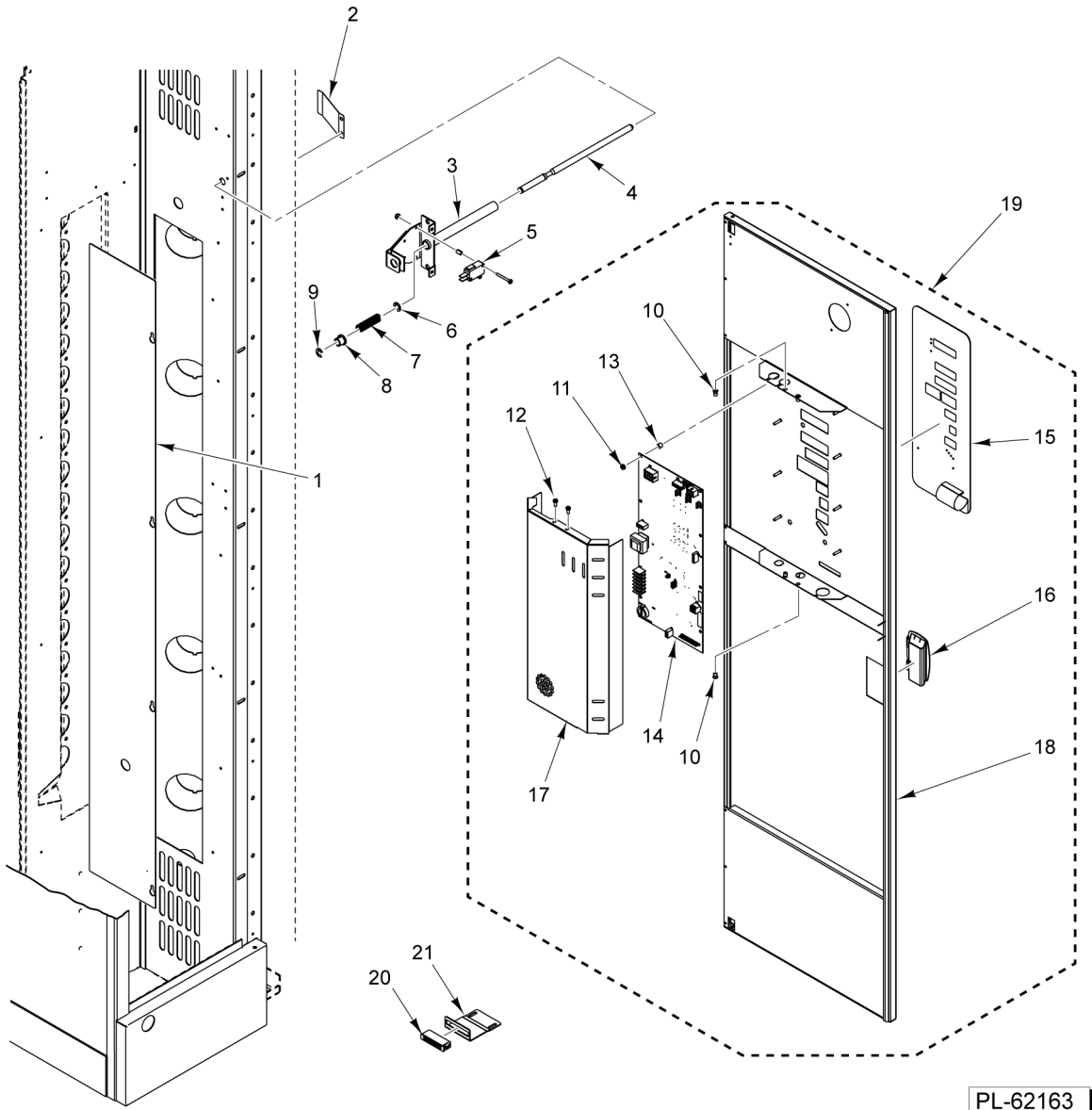
PL-62192

DRAFT INDUCER

DRAFT INDUCER

ILLUS.	PART NO.	NAME OF PART	AMT.
PL-62192			
1	01-1M6555-00002	Draft Inducer Assy. (Incls. Items 2 thru 13).....	1
2	01-1M6555-00208	Bottom - Draft Inducer.....	1
3	01-1M6631-00002	Kit - Insulation.....	1
4	01-1M6555-00202	Insulation - Cover.....	1
5	01-1M6555-00108	Plate - Adjustment.....	1
6	01-1M6555-00204	Cover - Insulation (Rear).....	1
7	01-1M6555-00203	Cover - Inner Rear.....	1
8	01-1M7355-00002	Plate - Draft Inducer Mounting (3-3/4 In. Hole).....	1
9	01-1000V4-00284	Screw 10-32 x 3/4 Hex Washer Hd., Serrated Flange (SST).....	8
10	01-1000V8-00156	Blower Motor - Draft Inducer.....	1
11	01-1M6661-00002	Harness, Conduit Assy. - Draft Inducer.....	1
*12	01-100V16-00956	Gasket - Insulation (Draft Inducer).....	1
13	01-1M6555-00201	Inner - Draft Inducer.....	1
14	01-1M5525-00001	Box - Junction (Incls. Items 15 thru 20).....	1
15	01-1M5525-00100	Box - Junction.....	1
16	01-1000V4-00474	Screw 10-32 x 1/2 Hex Washer Hd. (Zinc).....	2
17	01-1M5525-00106	Cover - Junction Box.....	1
18	01-1000V4-00121	Insert - Threaded 10-32 Hex.....	1
19	01-1M7496-00001	Receptacle (Water Connection).....	1
20	01-1000V4-00620	Mach. Screw 4-40 x 3/8.....	4
21	01-1M6764-00001	Connection - Hood.....	1
22	01-1M6597-00001	Tube - Pressure Switch.....	1
23	01-1M6763-00002	Duct.....	1
24	01-1000V6-00344	Switch - Pressure.....	1

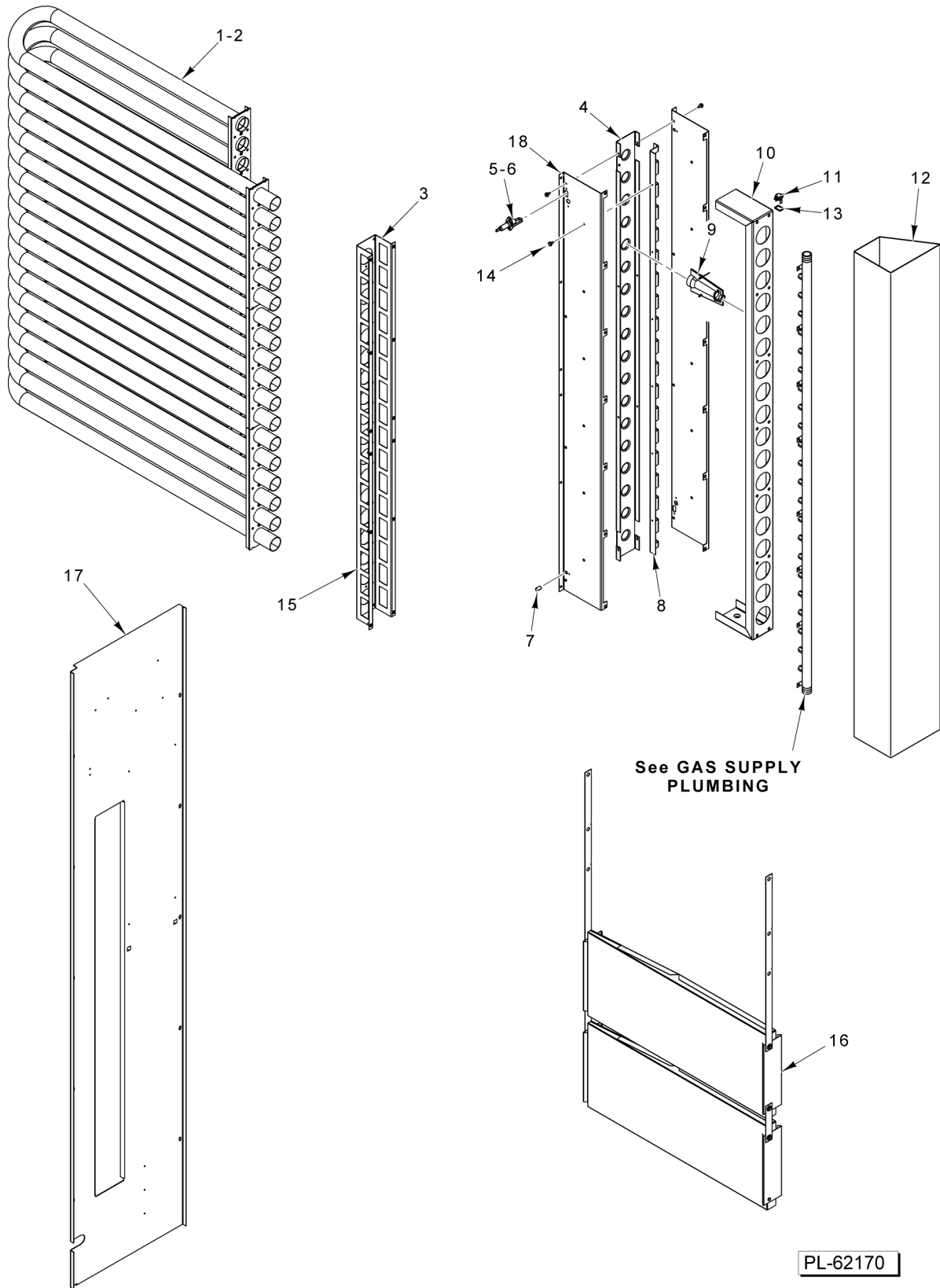
* (Order with Item 10)



CONTROL CABINET, DOOR, AND CONTROLLER

CONTROL CABINET, DOOR, AND CONTROLLER

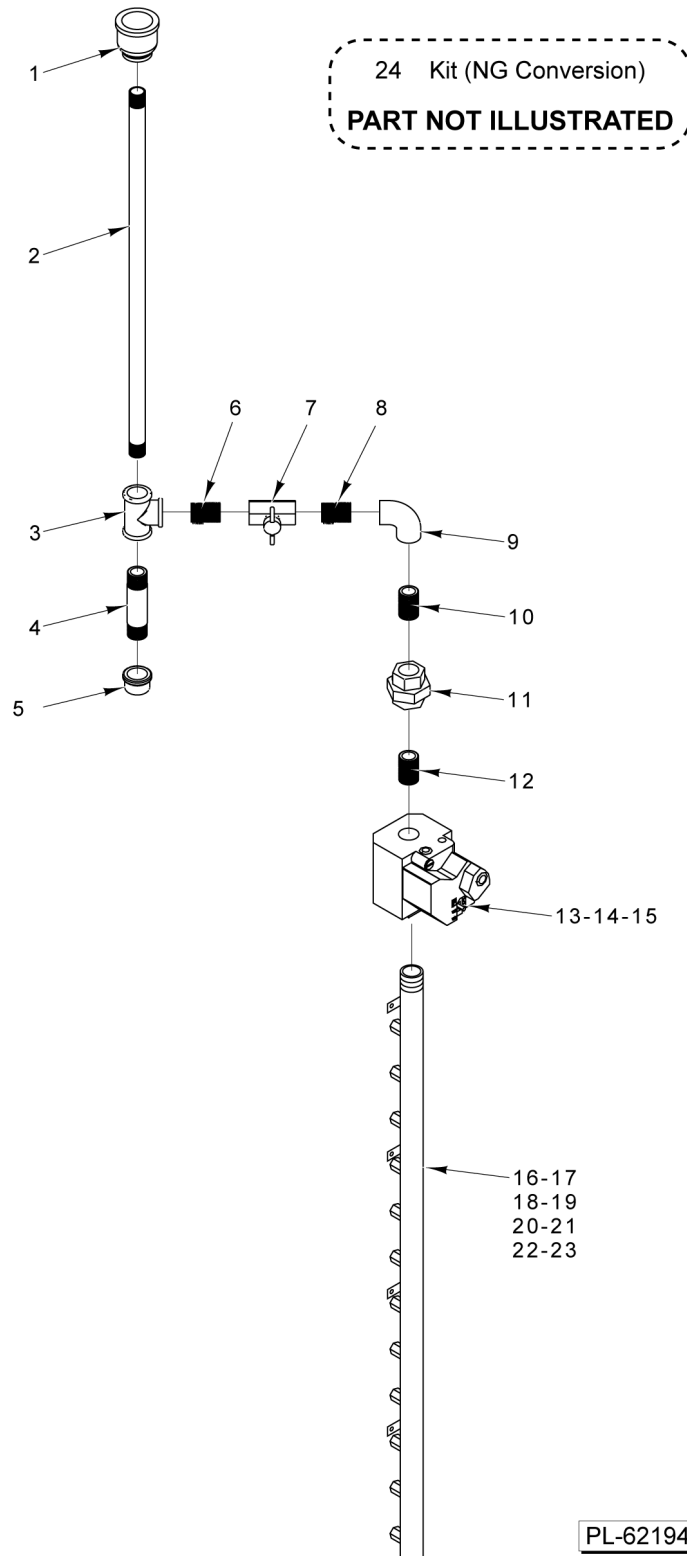
ILLUS. PL-62163	PART NO.	NAME OF PART	AMT.
1	01-1M5150-00001	Cover - Light Access.....	1
2	01-1M6928-00001	Plate, Actuator (Door Switch).....	1
3	01-1M6478-00001	Door Switch Assy. (Spring Loaded) (Incls. Items 4 thru 9).....	1
4	01-1M6478-00101	Rod - Actuator.....	1
5	01-1000V6-00343	Switch - Lever SPST.....	2
6	01-1000V1-00078	Clip - E-Door.....	1
7	01-100V20-00027	Spring - Compression.....	1
8	01-1M6478-00103	Bearing (Bronze).....	1
9	01-1000V1-00078	Clip - E-Door.....	1
10	01-1000V4-00121	Insert - Threaded 10-32 Hex.....	4
11	01-1000V4-00336	Nut #10-32 W/ Lockwasher (SST).....	8
12	01-1000V4-00474	Screw 10-32 x 1/2 Hex Washer Hd. (Zinc).....	4
13	01-1000V5-00164	Spacer 3/8 x 5/16 Lg. (Nylon).....	8
14	01-100V16-01036	Board - Control (USB Compatible).....	1
15	01-100V16-01165	Label - Control (Black).....	1
16	01-100V18-00221	Handle - Pocket (Plastic).....	1
17	01-1M7063-00102	Cover, Control - Display.....	1
18	01-1M7613-00002	Door - Control Assy. (W/ Studs) (No Overlay).....	1
19	01-1M7612-00002	Control Door Assy. (Incls. Items 10 thru 18).....	1
20	01-100V18-00220	Magnet - Snap-In.....	2
21	01-1M7617-00101	Bracket - Magnet.....	2



GAS BURNER AND HEAT CIRCULATION

GAS BURNER AND HEAT CIRCULATION

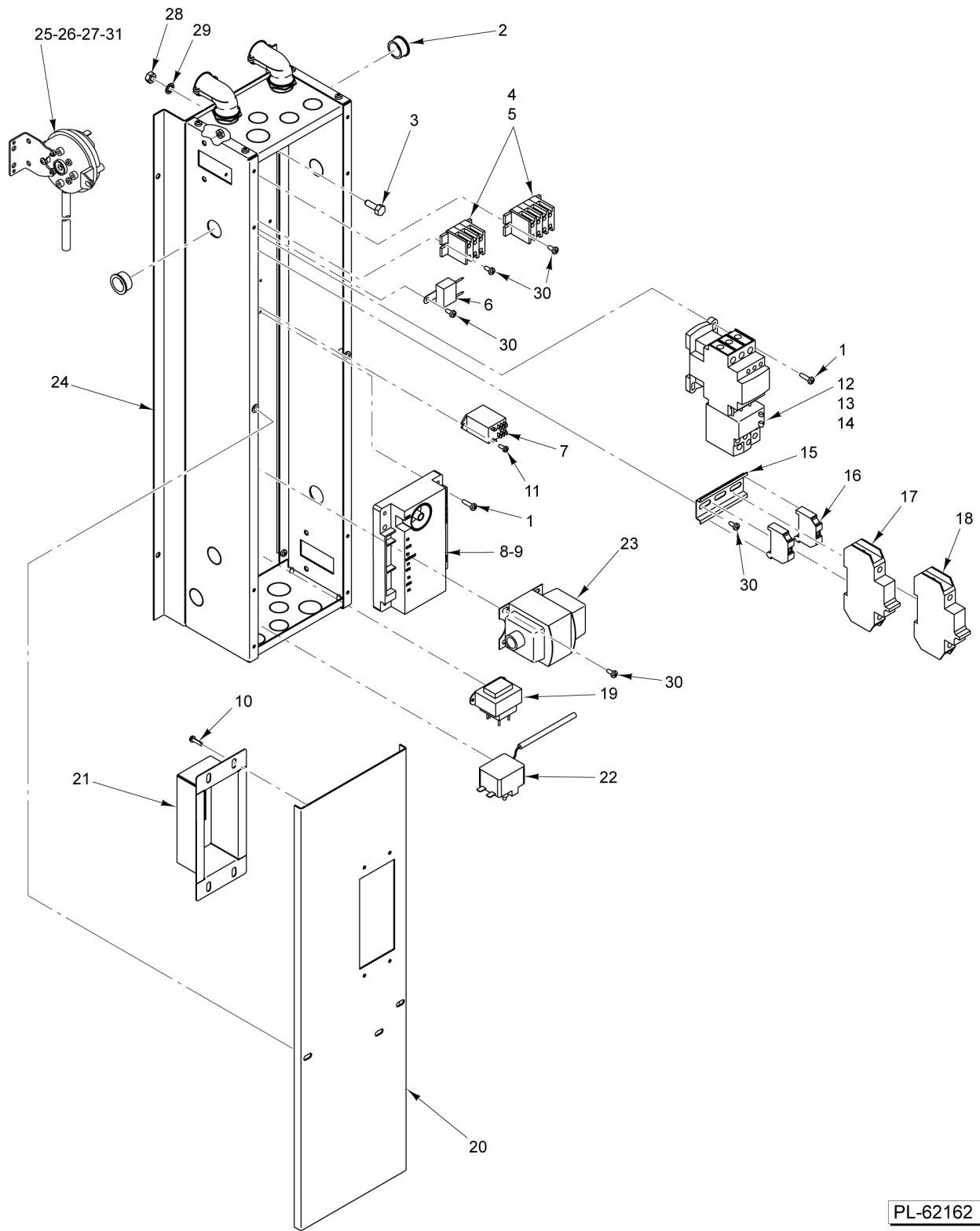
ILLUS. PL-62170	PART NO.	NAME OF PART	AMT.
1	01-1M7109-00002	Tube Assy. (6-Dimpled Tube).....	3
2	01-100V16-00530	Gasket - Heat Exchanger (6-Hole).....	6
3	01-1M6080-00001	Channel - Hat Burner Rack Assy.....	1
4	01-1M5467-00001	Plate - Firing (Burner Rack).....	2
5	01-1000V9-00201	Ignitor - Burner Spark.....	1
6	01-100V10-00323	Cabel Suppression (Spark Igniter 18 In.).....	1
7	01-1000V9-00169	Rod - Flame Sensor.....	1
8	01-1M5465-00001	Mount - Burner.....	2
9	01-1000V9-00146	Burner - In-Shot (Crossover).....	18
10	01-1M5401-00002	Enclosure - Burner Rack.....	1
11	01-1M6717-00001	Switch - Flame Rollout.....	1
12	01-1M7055-00002	Collector - Weldment.....	1
13	01-1M5401-00101	Bracket - Rollout Switch.....	1
14	01-1000V4-00474	Screw 10-32 x 1/2 Hex Washer Hd. (Zinc).....	AR
15	01-1M5463-00001	Box - Burner Assy. (Incls. Items 4, 8, 9, & 18).....	1
16	01-1M6591-00002	Baffle - Center Assy.....	1
17	01-1M7048-00201	Cabinet - Skin Control.....	1
18	01-1M5464-00001	Plate - Side (Burner Rack).....	2



GAS SUPPLY PLUMBING

GAS SUPPLY PLUMBING

ILLUS. PL-62194	PART NO.	NAME OF PART	AMT.
1	01-100V17-00577	Bell - Reducer.....	1
2	01-100V17-00576	Pipe (3/4 In. x 23 In.).....	1
3	01-100V17-00451	Tee 3/4 NPT x 3/4 NPT.....	1
4	01-100V17-00575	Pipe (3/4 In. x 4 In.).....	1
5	01-100V17-00472	Cap - Pipe 3/4.....	1
6	FP-036-92	Pipe 3/4 x 1-3/8 TBE (Black).....	1
7	01-100V17-00169	Valve - Shut Off, Gas 3/4 NPT.....	1
8	FP-036-92	Pipe 3/4 x 1-3/8 TBE (Black).....	1
9	01-100V17-00513	Elbow - Pipe 90 Deg. x 3/4 NPT (Black).....	1
10	FP-036-92	Pipe 3/4 x 1-3/8 TBE (Black).....	1
11	01-100V17-00470	Union 3/4 NPT BLK #150.....	1
12	FP-036-92	Pipe 3/4 x 1-3/8 TBE (Black).....	1
13	01-1000V9-00160	Valve - Gas (3/4 In.).....	1
14	01-1000V9-00128	Valve Kit - LP Conversion.....	1
15	01-1M5898-00001	Gas Line Assy. (NAT) (Incls. Items 1 thru 13).....	1
16	01-100V16-01030	Manifold Assy. - Gas Supply (NAT).....	1
17	01-100V16-01031	Manifold Assy. - Gas Supply (LP).....	1
18	01-1M7096-00002	Gas Line Manifold Assy. (NAT) (Incls. Items 1 thru 12, & 16).....	1
19	01-1M7096-00004	Gas Line Manifold Assy. (LP) (Incls. Items 1 thru 12, 14, & 17).....	1
20	01-1000V9-00171	Orifice #49 (0.073 In.) (NAT).....	18
21	01-1000V9-00173	Orifice #56 (0.046 In.) (PRO).....	18
22	01-1000V9-00185	Orifice (0.0635 In.) (NAT) (Above 6500 Ft.).....	18
23	01-1000V9-00186	Orifice (0.040 In.) (PRO) (Above 6500 Ft.).....	18
24	01-1M7467-00001	Valve Kit - NAT Conversion (Use with 01-1000V6-00211).....	1

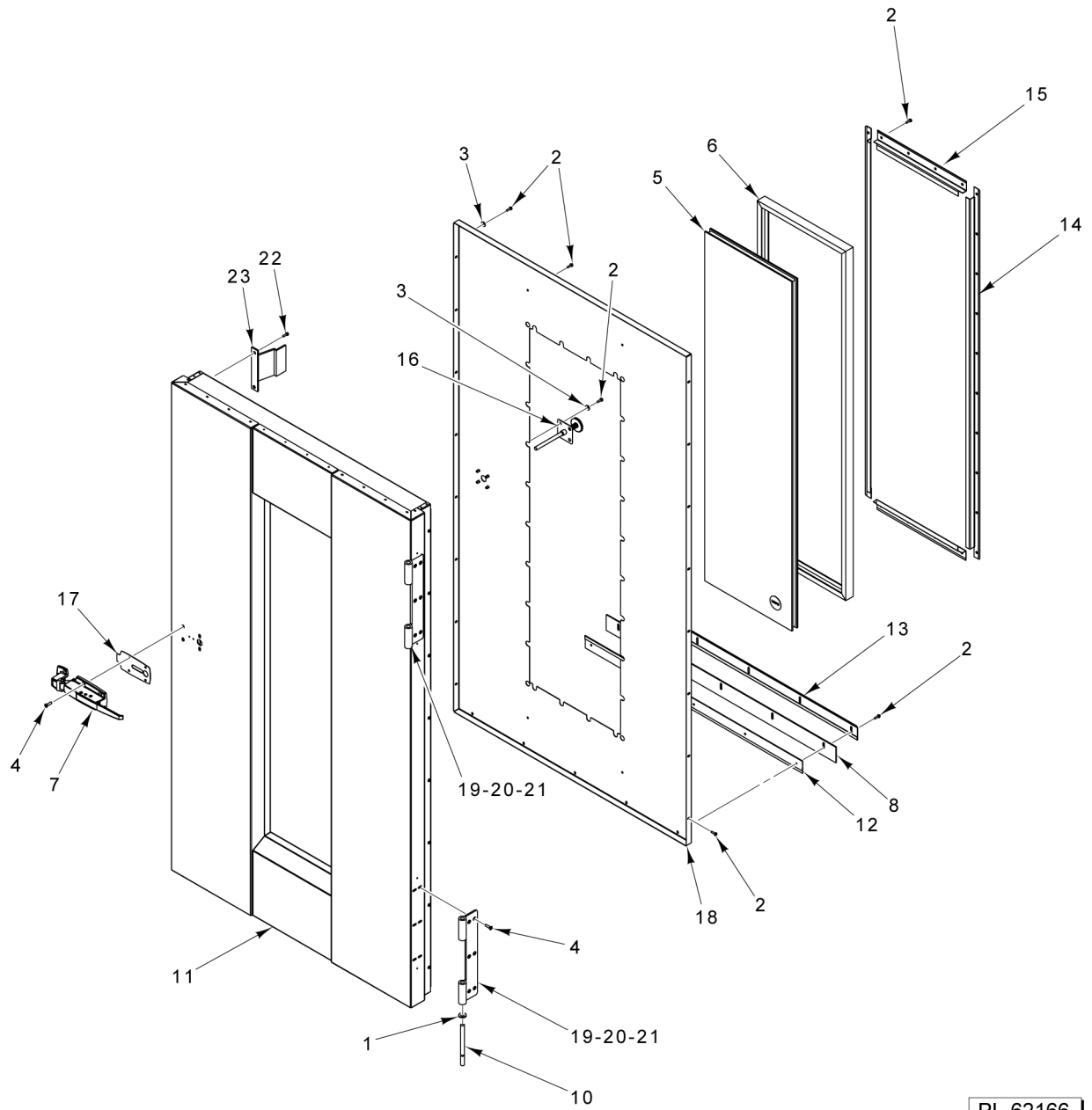


PL-62162

COMPONENT BOX

COMPONENT BOX

ILLUS. PL-62162	PART NO.	NAME OF PART	AMT.
1	01-1000V4-00542	Screw - Phil. Hd. 8-18 x 3/4 (Zinc).....	AR
2	01-1000V5-00059	Bushing - Snap 7/8 In. (Plastic).....	2
3	01-1000V5-00101	Lug - Grounding.....	1
4	01-1000V5-00105	Strip - Terminal (600 V.) (Flat Base).....	7
5	01-1000V5-00106	Strip End - Terminal (600 V.) (Flat Base).....	2
6	01-100V10-00242	Filter - EMI.....	1
7	01-1000V6-00271	Relay - D.P.D.T. (1/2 Hp., 120 VAC) (CIT).....	1
8	01-1000V9-00202	Control - Ignition (Spark).....	1
9	01-100V10-00323	Ignition Wire.....	1
10	01-1000V4-00474	Screw 10-32 x 1/2 Hex Washer Hd. (Zinc).....	AR
11	01-1000V4-00515	Screw - Sheet Metal, Pan Hd. 6-32 x 3/8 (Zinc).....	AR
12	01-1M7548-00002	Contactora - Overload Assy. (4-6 Amp.) (208-240 V.) (3 Ph.).....	1
13	01-1M7537-00001	Contactora - Overload Assy. (9-13 Amp.) (208-240 V.) (1 Ph.).....	1
14	01-1M7549-00002	Contactora - Overload Assy. (1.6 - 2.5 Amp.) (380-415/440-480 V.) (3 Ph.).....	1
15	01-100V18-00115	Din Rail (9080-M H) (10 In.) (Sold Per Inch).....	AR
16	01-1000V5-00252	Stop - Terminal Section End.....	2
17	01-1000V6-00423	Circuit Breaker (10A).....	2
18	01-1000V6-00424	Circuit Breaker (13A).....	1
19	01-100V10-00278	Transformer (5 VA) (120-24 V.) (Door Switch Circuit).....	1
20	01-1M5677-00001	Cover - Electric Module (Without Back-Up Controls).....	1
21	01-1M5948-00002	Plate - Access Breaker Box.....	1
22	01-1M6165-00001	Kit, High Limit (608 Deg. F/320 Deg. C) - Manual Reset.....	1
23	01-100V10-00374	Transformer - Ignition (30 VA., 120-24 V.).....	1
24	01-1M6626-00002	Module - Electric (208-240 V., 3 Ph.) (120 V., 1 Ph.) (Incls. items 1 thru 12, & 15 thru 23).....	1
25	01-1000V6-00387	Switch - Pressure (Starting 11/01/24).....	1
26	01-1M7223-00002	Tube - Pressure Switch (Starting 11/01/24).....	1
27	01-1M7222-00002	Pressure Switch Assy. (Incls. Items 25 & 26) (Starting 11/01/24).....	1
28	01-1000V4-00330	Nut, Hex 1/4-20 (Zinc).....	AR
29	01-1000V4-00470	Lockwasher 1/4 In. (SST).....	AR
30	01-1000V4-00442	Screw Pan Hd. 8-32 x 1/2 (Zinc).....	AR
31	01-1M7679-00001	Kit, Replacement - Hood Pressure Switch (Before 11/01/24).....	1



PL-62166

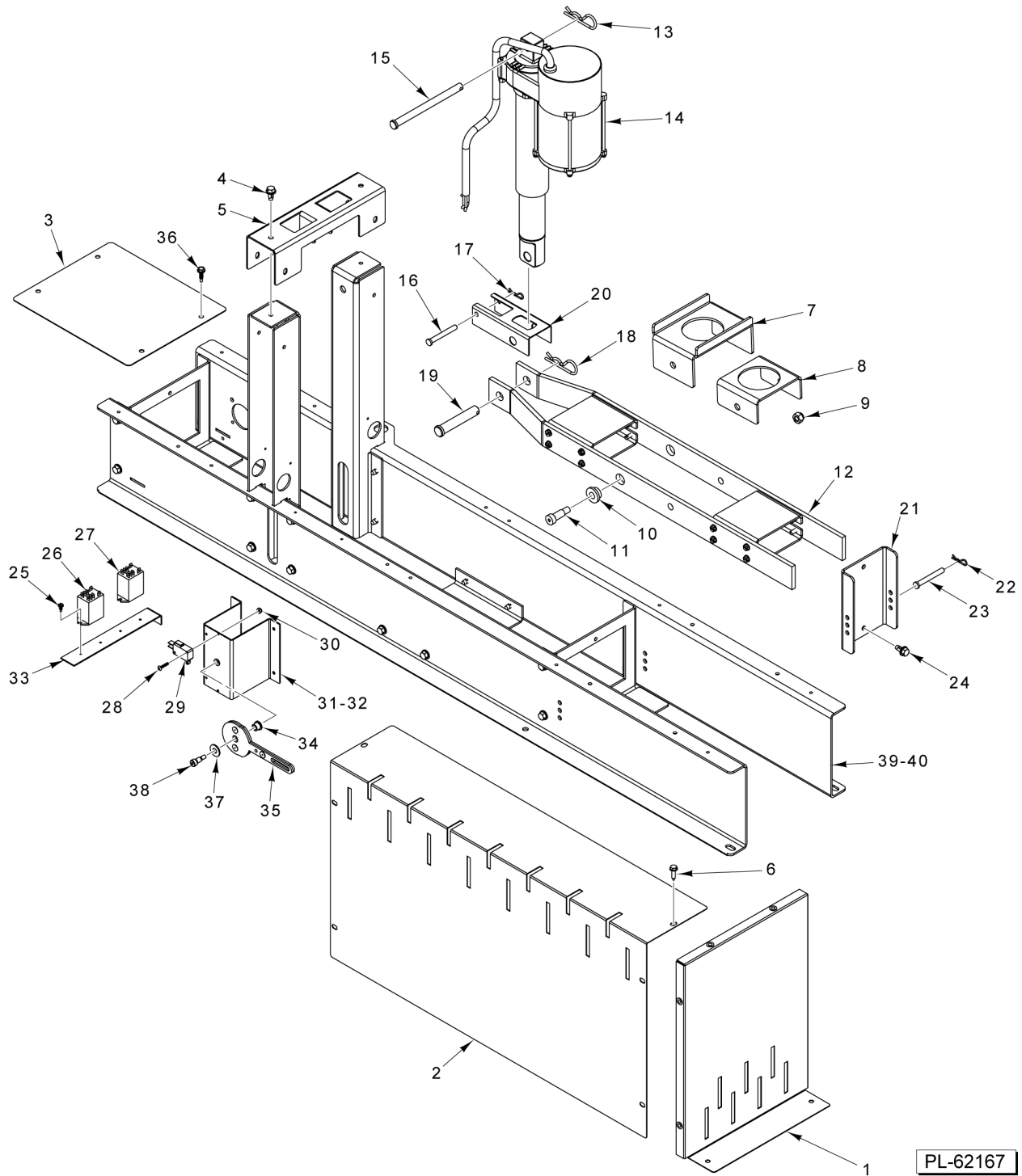
LOADING DOOR

LOADING DOOR

ILLUS.	PART NO.	NAME OF PART	AMT.
PL-62166			
1	01-1000V0-00080	Bearing - Door Hinge (Brass).....	4
2	01-1000V4-00284	Screw 10-32 x 3/4 Hex Washer Hd., Serrated Flange (SST).....	AR
3	01-1000V4-00434	Washer - Flat #10 (SST).....	AR
4	01-1000V4-00499	Mach. Screw 1/4-20 x 1" Phillips Flt Hd (W/Patch) (SST).....	1
5	01-100V16-00765	Glass - Double Pane.....	1
6	01-100V16-00766	Gasket - Window (One-Piece Fused Corners).....	1
7	01-100V16-01160	Kit - Latch & Striker.....	1
8	01-100V16-0779B	Gasket - Door Sweep.....	1
9	01-100V21-0065A	Tape - Fiberglass (1/8 x 1).....	AR
10	01-1M5918-00201	Pin - Hinge Loading Door.....	4
11	01-1M7647-00002	Loading Door Assy. (Crated).....	1
12	01-1M6101-00202	Sweep - Inner Door.....	1
13	01-1M6101-00203	Sweep - Outer Door.....	1
14	01-1M6105-00101	Retainer - Door Glass (Ver. Ext).....	2
15	01-1M6106-00201	Retainer - Door Glass (Horiz. Ext).....	2
16	01-1M7564-00001	Handle - Inner Push Button.....	1
*17	01-1M7568-00102	Shim - Handle.....	3
18	01-1M7569-00002	Skin - Loading Door (Inner).....	1
19	01-1M5918-00301	Hinge - Door (Female).....	2
20	SC-117-97	Cap Screw 1/2-13 x 1 Hex Hd.....	4
**21	01-1M5918-00004	Hinge Kit (Incls. Items 1, 10, 19, & 20).....	2
22	01-1000V4-00426	Screw #10-16 x 3/4 Hex Hd. (Drill Tip) (SST).....	2
23	01-1M7561-00107	Bracket.....	1

* Maximum of 3 shims may be used on door handle. If more than 3 shims is required for proper door seal, contact Bakery Tech Support.

** Kit includes quantity for one hinge assembly

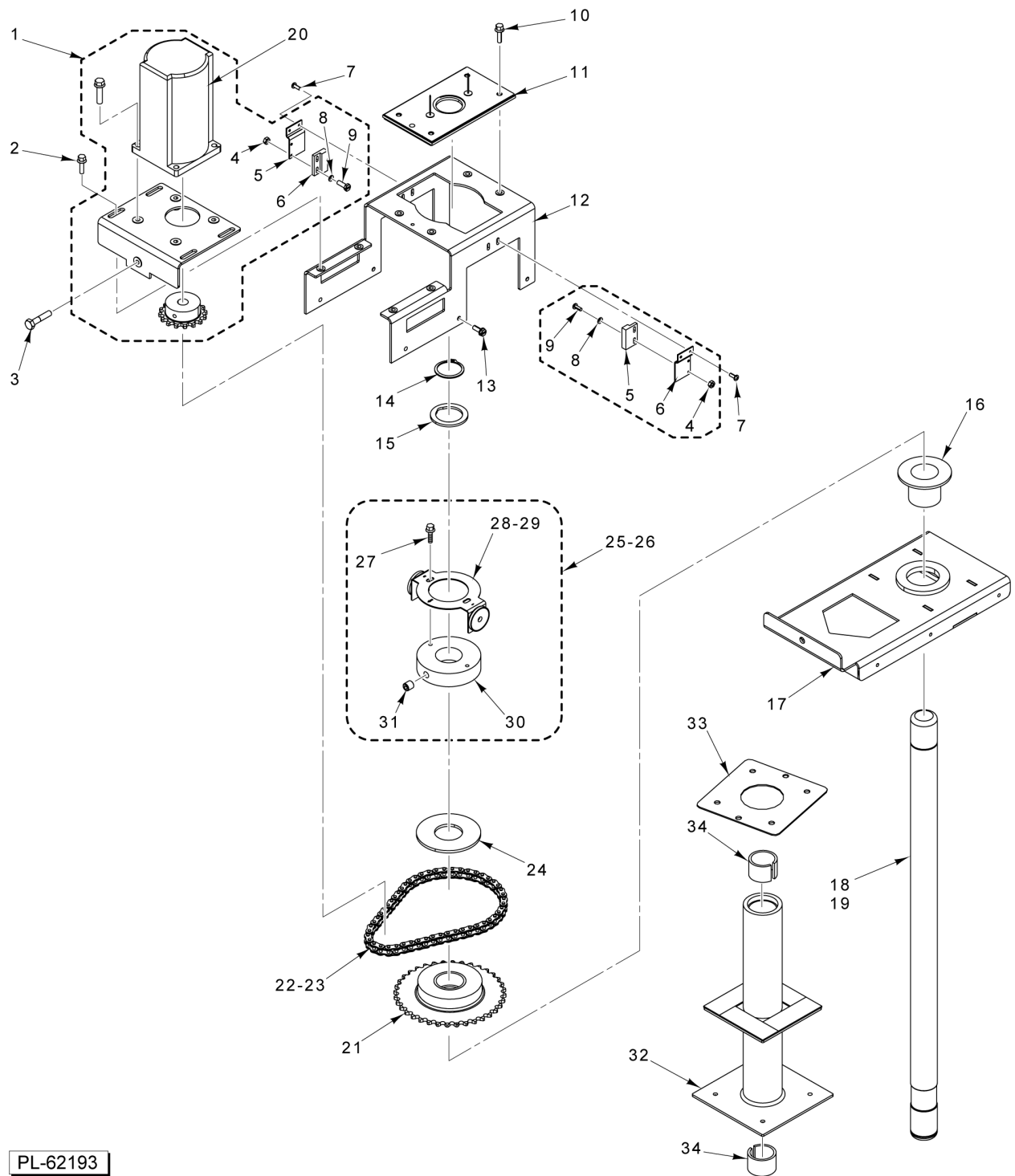


PL-62167

LIFTER

LIFTER

ILLUS.	PART NO.	NAME OF PART	AMT.
PL-62167			
1	01-1M6608-00001	Cover - Front/Back.....	2
2	01-1M6608-00002	Cover - Side.....	2
3	01-1M6608-00004	Cover - Front.....	1
4	01-1000V4-00436	Screw 1/4-20 x 1/2 Hex Hd.....	6
5	01-1M7544-00101	Bracket - Support.....	1
6	01-1000V4-00426	Screw #10-16 x 3/4 Hex Hd. (Drill Tip) (SST).....	AR
7	01-1M6601-00103	Support - Rotator.....	1
8	01-1M6601-00104	Support - Rotator.....	1
9	01-1000V4-00380	Nut 5/16-18 NYLOCK.....	2
10	01-1000V0-00121	Bearing.....	2
11	01-1000V4-00379	Bolt - Shoulder.....	2
12	01-1M6601-00001	Lifting Arm Assy.....	1
13	01-1000V1-0086A	Pin - Cotter.....	1
14	01-1M7699-00001	Kit - Actuator W/ Bracket (Incls. Item 20).....	1
15	01-1000V1-00108	Pin 3/8 x 5 In.....	1
16	01-1000V1-00087	Pin - Clevis (1/4 x 2 In.).....	1
17	01-1000V1-0087A	Pin.....	1
18	01-1000V1-0086A	Pin - Cotter.....	1
19	01-1000V1-00109	Pin - Clevis (1/2 x 2-3/4 In.).....	1
20	01-1M7698-00001	Bracket - Lift Actuator.....	1
21	01-1M6600-00203	Bracket - Support.....	1
22	01-1000V1-0087A	Pin.....	2
23	01-1000V1-00087	Pin - Clevis (1/4 x 2 In.).....	2
24	01-1000V4-00436	Screw 1/4-20 x 1/2 Hex Hd.....	2
25	01-1000V4-00510	Screw Mach. - Pan Head (6-20 x 0.375).....	4
26	01-1000V6-00271	Relay - D.P.D.T. (1/2 Hp., 120 VAC).....	1
27	01-1000V6-00297	Relay - DPDT 1/2 HP. (24V Coil).....	1
28	01-1000V4-00461	Screw 4-40 x 5/8 (SST).....	4
29	01-1000V6-00343	Switch - Lever SPST.....	2
30	01-1000V4-00355	Nut.....	4
31	01-1M6603-00001	Bracket Assy. - Switch.....	1
32	01-1M6630-00002	Harness - Rack Lift.....	1
33	01-1M6600-00104	Bracket - Relay.....	1
34	01-1000V0-00139	Bearing - Flanged Sleeve.....	1
35	01-1M7551-00102	Cam - Lift Switch (B & C Lift Only).....	AR
36	01-1000V4-00400	Cap Screw 10-32 x 3/4 Hex Hd. (SST).....	AR
37	01-1000V4-00433	Washer 1/4 In. (SST).....	1
38	01-1000V4-00572	Shoulder Screw, #10-32 X 3/8 Thread Length, .25 DIA X 3/8 Shoulder Length.....	1
39	01-1M7551-00002	Rack Lift Assy. (B & C Lift) (Incls. Items 12 thru 25, 32 thru 34, 37, 38 & 40).....	1
40	01-1M7544-00002	Body - Rack Lift Assy. (Incls. Items 4 & 5).....	1

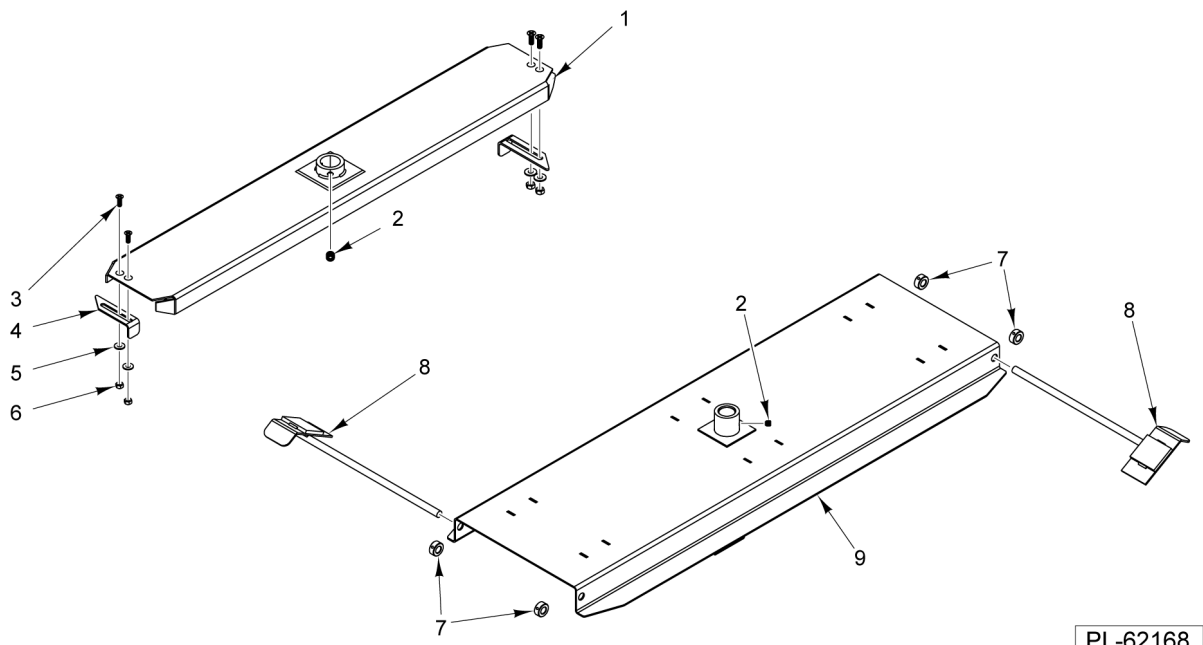


PL-62193

ROTATOR

ROTATOR

ILLUS. PL-62193	PART NO.	NAME OF PART	AMT.
1	01-1M7318-00001	Rotation Motor Assy. (Incls. Items 4 thru 6, 8, & 9).....	1
2	01-1000V4-00284	Screw 10-32 x 3/4 Hex Washer Hd., Serrated Flange (SST).....	4
3	01-1000V4-00564	Screw, Sheet Metal Hex Hd. W/ Washer 1/4-20 x 1 (SST).....	1
4	01-1000V4-00586	Nut.....	4
5	01-1M6604-00106	Bracket - Rotate Switch.....	2
6	01-1M5777-00101	Switch (Magnetic).....	2
7	01-1000V4-00515	Screw - Sheet Metal, Pan Hd. 6-32 x 3/8 (Zinc).....	AR
8	01-1000V4-00585	Flat Washer.....	4
9	01-1000V4-00584	Screw.....	4
10	01-1000V4-00284	Screw 10-32 x 3/4 Hex Washer Hd., Serrated Flange (SST).....	4
11	01-1M6606-00002	Shaft Alignment Assy.....	1
12	01-1M6604-00201	Bracket - Mounting.....	1
13	01-1000V4-00385	Screw - Sheet Metal, Hex Hd. 10-16 x 3/4 (SST).....	4
14	01-1000V1-00085	Snap Ring.....	1
15	01-1M6704-00001	Shim - Carrier (Height Adjustment).....	1
16	01-1000V0-00114	Bearing - Flange.....	1
17	01-1M6605-00001	Rotator - Lifter.....	1
18	01-1M6604-00105	Shaft - Rotator (B Style).....	1
19	01-1M6604-00305	Shaft - Rotator (C Style).....	1
20	01-1000V8-0177C	Capacitor, Motor Run - (4uF/250VAC).....	1
21	01-1M6610-00001	Sprocket - Rotator.....	1
22	01-1000V3-0087A	Chain - Roller 20-1/8 In.....	1
23	01-1000V3-00088	Link - Connecting.....	AR
24	01-1M6604-00104	Clutch - Slide.....	1
25	01-1M6629-00003	Magnet Switch Assy. (One Magnet) (A Style Double Rack) (C Style Single Rack) (Incls. Items 27 thru 31).....	1
26	01-1M6629-00004	Magnet Switch Assy. (Two Magnets) (B Style) (C Style Single Rack) (Incls. Items 27 thru 31).....	1
27	01-1000V4-00284	Screw 10-32 x 3/4 Hex Washer Hd., Serrated Flange (SST).....	2
28	01-1M6880-00003	Pointer Assy. (One Magnet) (A Style Double Rack) (C Style Single Rack).....	1
29	01-1M6880-00004	Pointer Assy. (Two Magnets) (B Style) (C Style Double Rack).....	1
30	01-1M6604-00103	Collar, Set - Rotator.....	1
31	01-1000V4-00161	Screw, Set - Allen (3/8-16).....	1
32	01-1M6662-00001	Housing - Shaft (Incls. Bearing).....	1
33	01-1M6715-00001	Clamp - Rotator Housing.....	1
34	01-1M7464-00001	Kit - Bearing (Shaft Housing).....	2

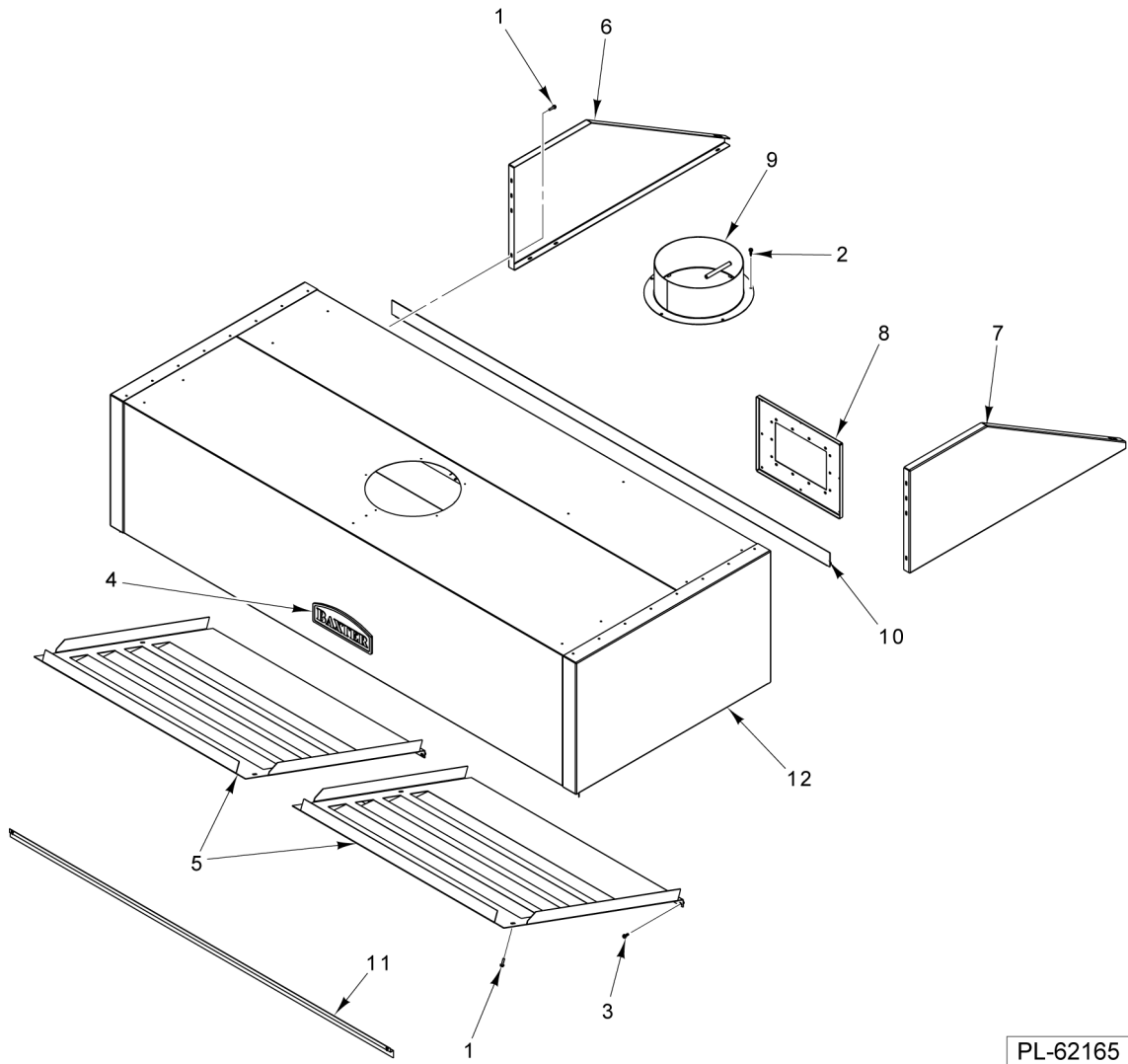


PL-62168

CARRIER

CARRIER

ILLUS.	PART NO.	NAME OF PART	AMT.
PL-62168			
1	01-1M6770-00004	Carrier (C Style) (Double Rack) (33 In. Stops) (Incls. Items 2 thru 6).....	1
2	01-1000V4-00654	Screw - Set 3/8-24 x 3/8 (Knurled Tip).....	2
3	01-1000V4-00074	Mach. Screw 1/4-20 x 3/4 Phil. Flat Hd.....	4
4	01-1M4862-00101	Latch - Carrier.....	2
5	01-1000V4-00433	Washer 1/4 In. (SST).....	4
6	01-1000V4-00599	Nut 1/4 In. (SST) (Toplock, Vibration Resistant).....	4
7	01-1000V1-00013	Collar - Set 1/2 In. Dia.....	4
8	01-1M2580-00002	Stop - Rack Carrier (B Style Carrier).....	2
9	01-1M7630-00002	Carrier (B Style) (Double Rack) (15.60 In. Wide) (Incls. Items 2, 7, & 8).....	1



PL-62165

HOOD - TYPE II

HOOD - TYPE II

ILLUS.	PART NO.	NAME OF PART	AMT.
PL-62165			
1	01-1000V4-00284	Screw 10-32 x 3/4 Hex Washer Hd., Serrated Flange (SST).....	AR
2	01-1000V4-00385	Screw - Sheet Metal, Hex Hd. 10-16 x 3/4 (SST).....	AR
3	01-1000V4-00386	Screw Hex Hd. 10-32 x 1/2 In. (SST).....	AR
4	01-100V16-0772A	Nameplate - Baxter Flat (9 In.).....	1
5	01-1M7588-00002	Baffle.....	2
6	01-1M7593-00001	Trim - Hood (LH).....	1
7	01-1M7594-00001	Trim - Hood (RH).....	1
8	01-1M7587-00001	Seal Plate - Over Pressure Assy.....	1
9	01-1M7618-00002	Collar - Duct.....	1
10	01-1M7595-00205	Bracket - Mount.....	1
11	01-1M7595-00204	Bracket - Split Baffle.....	2
12	01-1M7597-00002	Hood - Type II (Crated) (30 In.).....	1

