



CATALOG OF REPLACEMENT PARTS

OV320E MINI RACK OVEN

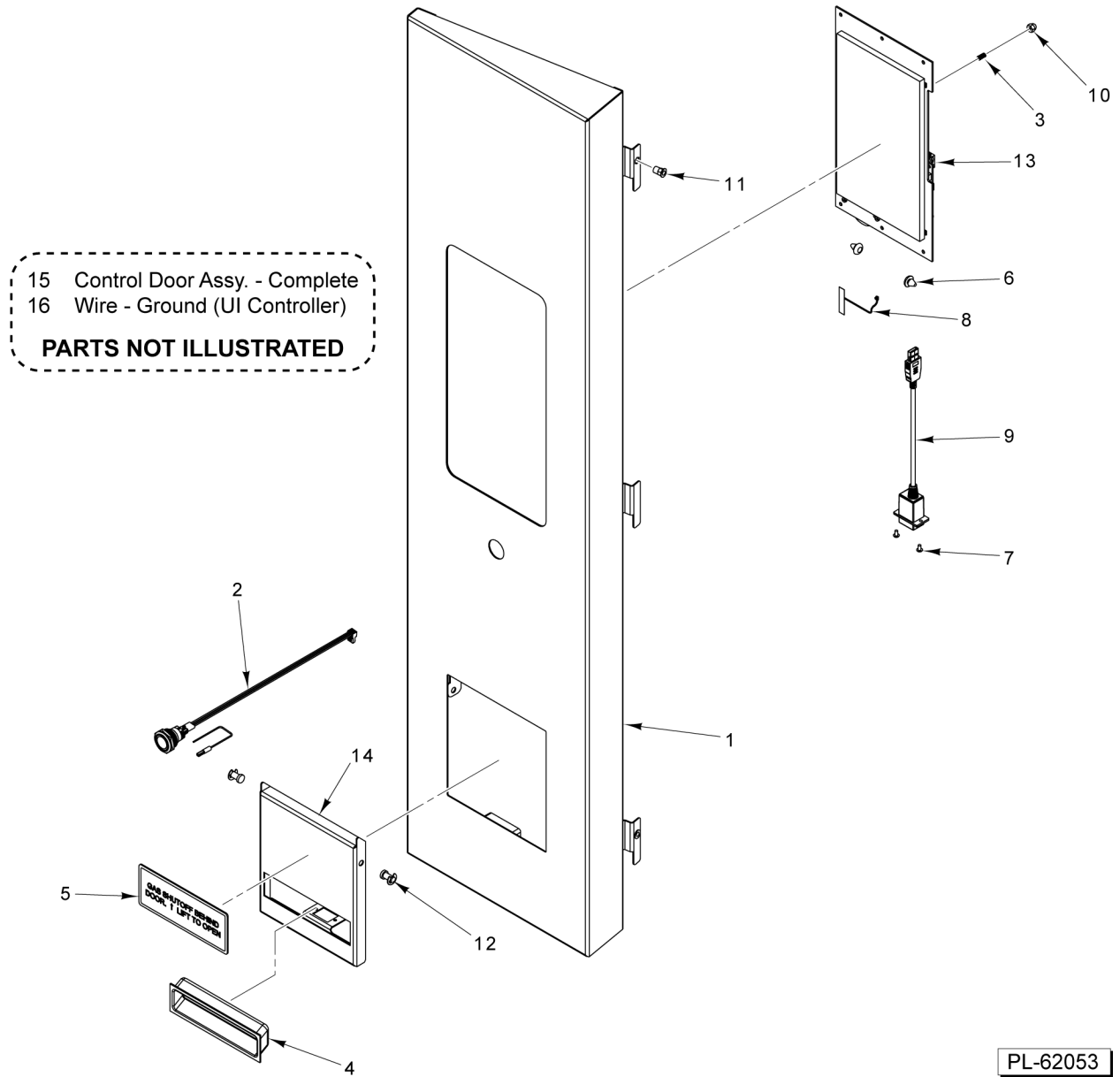


ML-132582

OV320E

Table of Contents

5	TOUCH SCREEN CONTROL PANEL ASSEMBLY
7	ELECTRICAL COMPONENTS
9	CABINET UNIT
11	INTERIOR PANELS
13	DOOR ASSEMBLY
15	ROTATOR AND RACK ASSEMBLY
17	WATER/STEAM SUPPLY
19	HEATING ELEMENTS AND AIR CIRCULATION SYSTEM



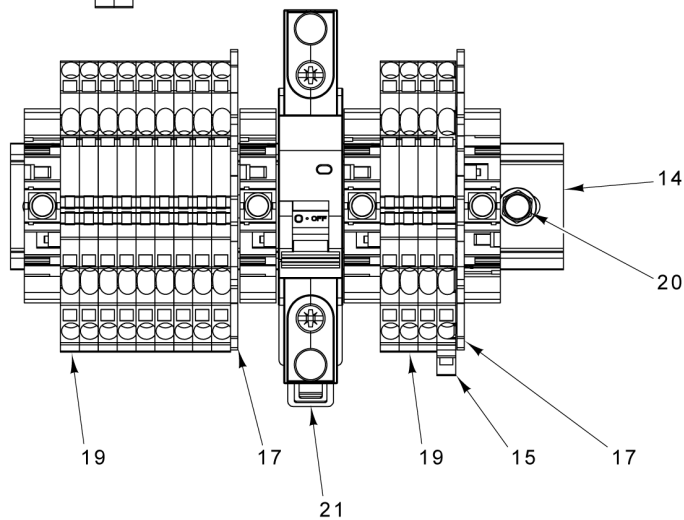
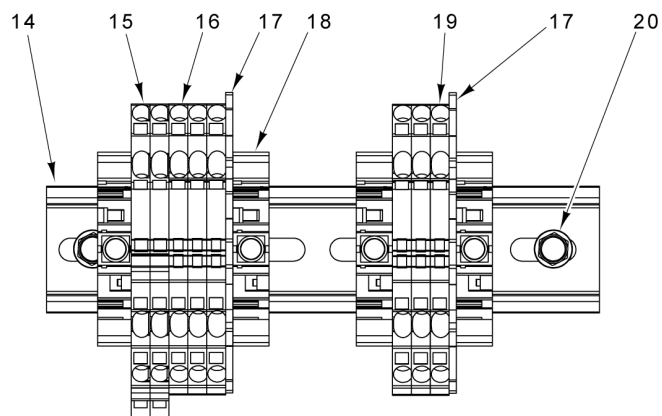
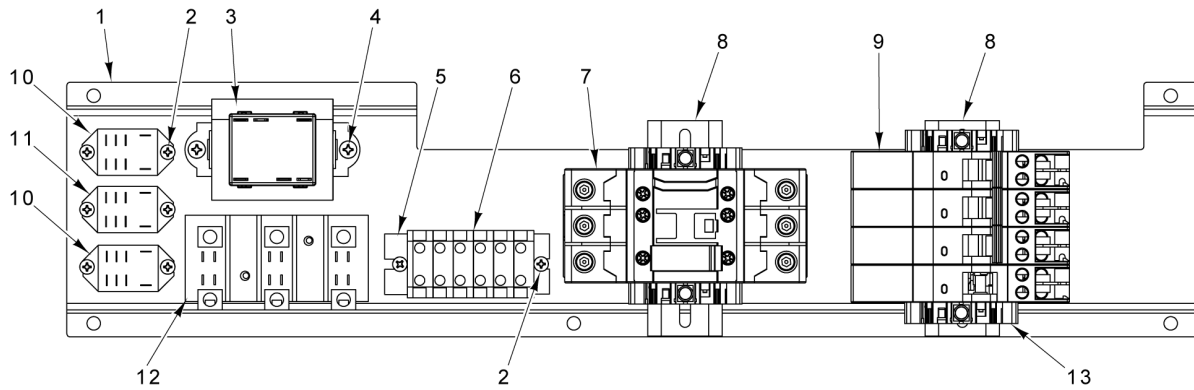
TOUCH SCREEN CONTROL PANEL ASSEMBLY

TOUCH SCREEN CONTROL PANEL ASSEMBLY

ILLUS. PL-62053	PART NO.	NAME OF PART	AMT.
1	01-1M7638-00001	Control Door (With Glass) (Incls. Items 6, 8, & 11).....	1
2	01-1M7408-00001	Switch - Push Button.....	1
3	01-100V20-00035	Spring.....	2
4	01-100V18-00110	Pull - Handle Pocket (Black, Plastic).....	1
5	01-100V16-00840	Label (Circuit Breaker).....	1
6	01-100V15-00088	Rubber Button.....	2
7	01-100V12-00037	Rivet - Push/Lock (Black Plastic).....	2
8	01-100V10-00365	Antenna - Internal (Smart Touch Controller) (100mm Cable, U.FL Connector).....	1
9	01-100V10-00350	Coupler - USB Type A Latching (3 ft).....	1
10	01-1000V4-00624	Cap Nut 6-32 (SST).....	2
11	01-1000V4-00121	Insert - Threaded 10-32 Hex.....	2
12	01-1000V0-00092	Pin 1/4 Dia. x 1/2 Lg. (With Retaining Ring).....	2
13	01-100V16-01086	Board - Control (Smart Touch).....	1
*14	01-1M7638-00002	Door - Access (Incls. Items 4, 7, & 9).....	1
15	01-1M7580-00002	Control Door Assy. - Complete (W/ Control).....	1
16	01-1M7545-00006	Wire - Ground (UI Controller).....	1

* Order with Item 5, Qty. 1

- 22 Harness - Main
 - 23 Front Electrical Module Assy.
 - 24 Electrical Module Assy.
- PARTS NOT ILLUSTRATED**



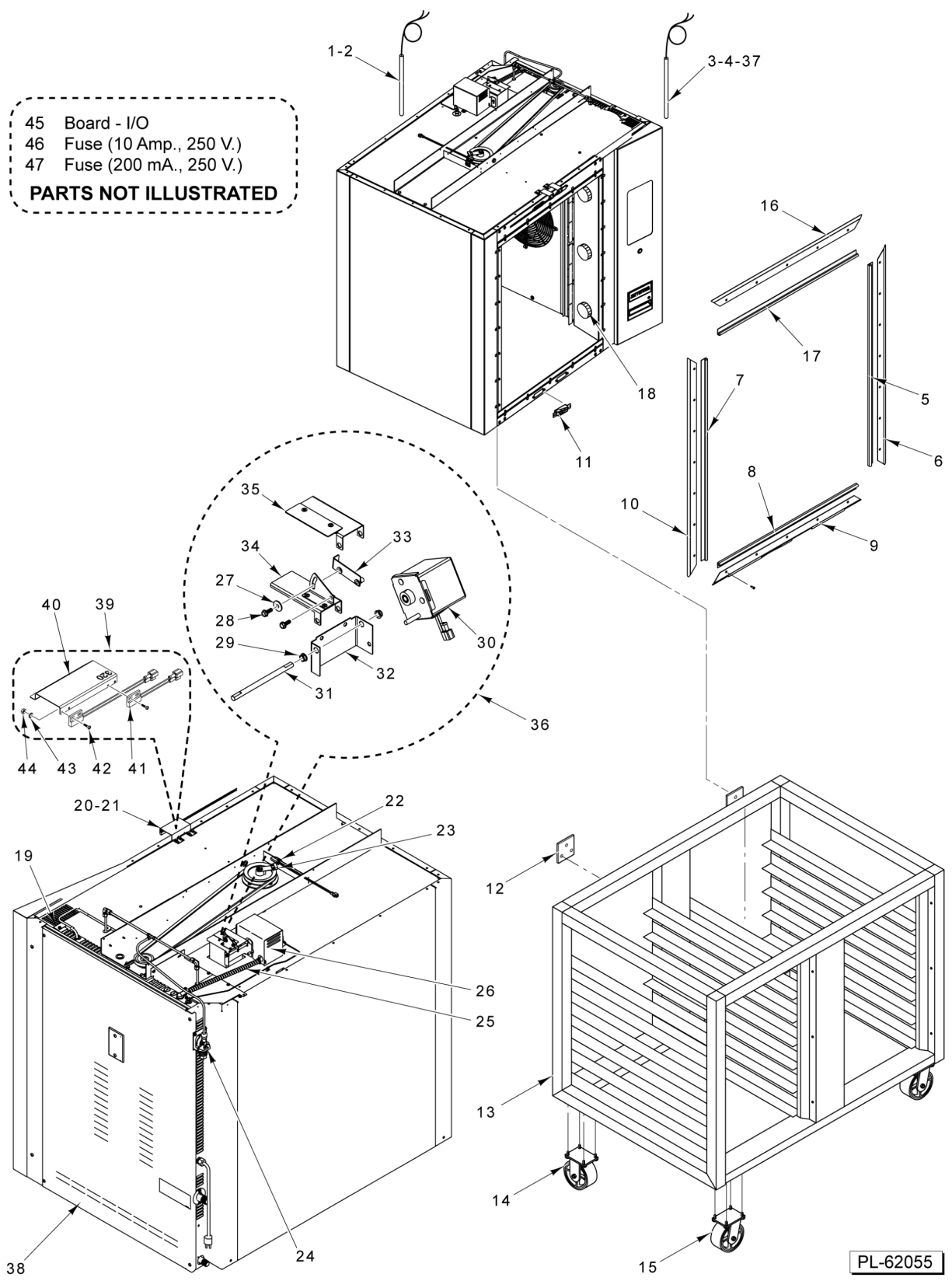
PL-62054

ELECTRICAL COMPONENTS

ELECTRICAL COMPONENTS

ILLUS.	PART NO.	NAME OF PART	AMT.
PL-62054			
1	01-1M7645-00102	Plate - Mounting.....	1
2	01-1000V4-00515	Screw - Sheet Metal, Pan Hd. 6-32 x 3/8 (Zinc).....	AR
3	01-100V10-00371	Transformer (120-24V.).....	1
4	01-1000V4-00442	Screw Pan Hd. 8-32 x 1/2 (Zinc).....	2
5	01-1000V5-00106	Strip End - Terminal.....	1
6	01-1000V5-00105	Strip - Terminal.....	6
7	01-1000V6-00447	Contacto - Heat (50 Amp.) (3 Ph.).....	1
8	01-1M5822-00001	Rail - Din.....	2
9	01-1M7528-00001	Breaker Assy. (63 Amp.) (120 V.).....	1
10	01-1000V6-00070	Relay - D.P.D.T. (1/2 Hp., 120 VAC).....	2
11	01-1000V6-00401	Relay - D.P.D.T. (1/2 Hp., 24 VAC).....	1
12	01-1000V6-00446	Block - Terminal.....	1
13	01-1000V6-00448	Stop - Terminal Section End.....	4
14	01-1M6226-00001	Rail - Din.....	2
15	01-1000V5-00399	Block - Spring Terminal (4 Wire Green/Yellow).....	3
16	01-1000V5-00398	Block - Spring Terminal (4 Wire Blue).....	3
17	01-1000V5-00400	Block - Spring Terminal (End Cap) (4 Wire).....	4
18	01-1000V5-00396	Stop - End (Din Rail) (35mm).....	8
19	01-1000V5-00397	Block - Spring Terminal (4 Wire Gray).....	AR
20	01-1000V4-00401	Screw 10-16 x 1/2 Hex Washer Hd.....	4
21	01-1000V6-00428	Breaker - Circuit (15 Amp., 1 Pole).....	1
22	01-1M7645-00103	Harness - Main.....	1
23	01-1M7645-00001	Front Electrical Module Assy. (Incls. Items 1 thru 13, & 22).....	1
24	01-1M7645-00003	Electrical Module Assy. (Incls. Items 14 thru 21).....	1

45 Board - I/O
 46 Fuse (10 Amp., 250 V.)
 47 Fuse (200 mA., 250 V.)
PARTS NOT ILLUSTRATED



CABINET UNIT

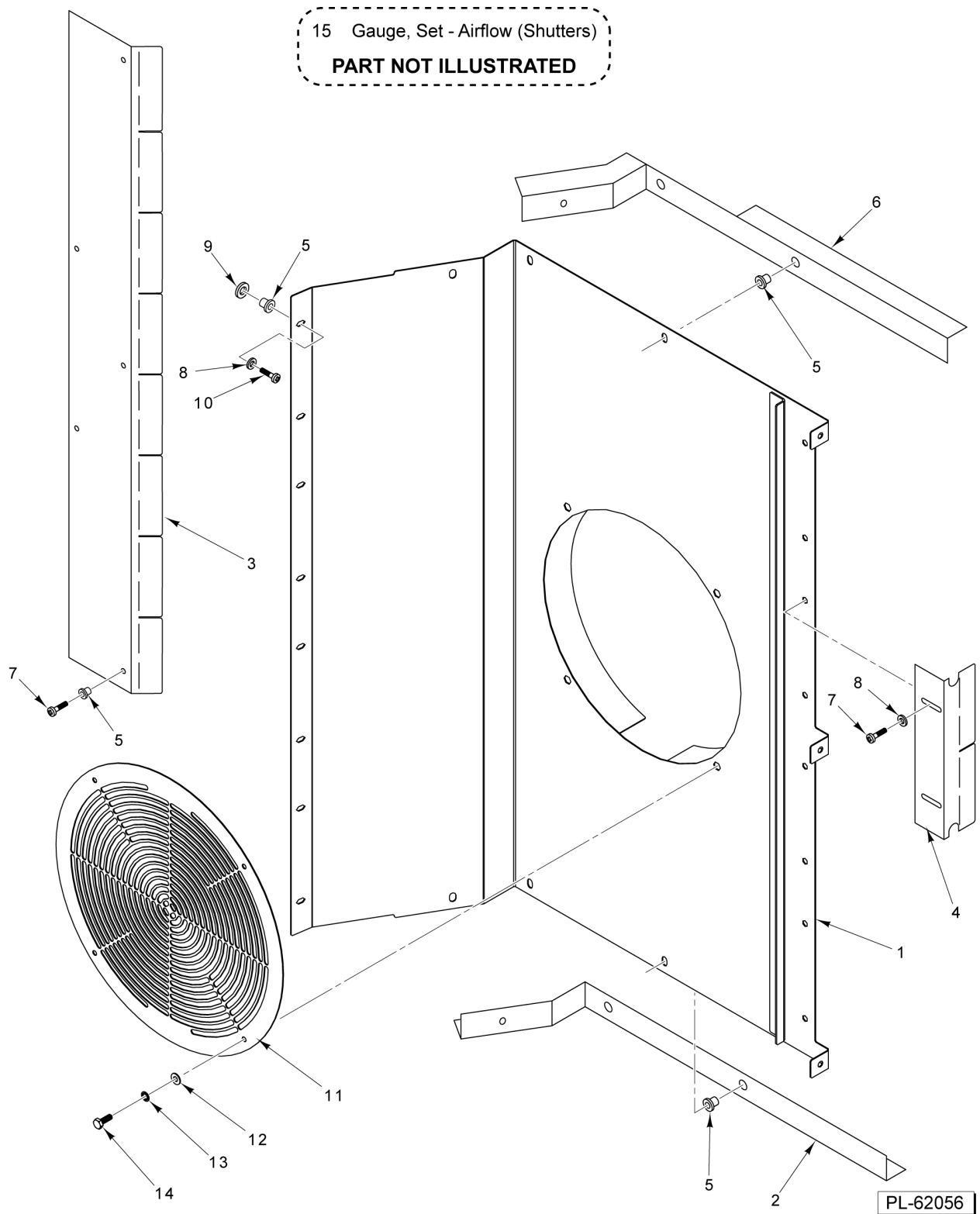
PL-62055

CABINET UNIT

ILLUS.	PART NO.	NAME OF PART	AMT.
	PL-62055		
1	01-100V17-00257	Coupling 1/4 NPT (Brass).....	1
2	01-100V10-00302	Sensor - Temperature 5.3 In. (Smart Touch Controller).....	1
3	01-1000V6-00406	Thermostat - Hi Limit.....	1
4	01-1000V6-00407	High Limit.....	1
5	01-1M6492-00001	Gasket - Door Opening Side.....	1
6	01-1M6426-00001	Retainer - Right Side Gasket.....	1
7	01-1M6492-00001	Gasket - Door Opening Side.....	1
8	01-1M6493-00002	Gasket - Door Opening Bottom.....	2
9	01-1M6464-00001	Retainer - Bottom Gasket.....	1
10	01-1M6427-00001	Retainer - Left Side Gasket.....	1
11	01-1M6449-00004	Striker - Loading Door.....	4
12	01-1M3475-00001	Retainer.....	2
*13	01-1M4533-00012	Stand Assy. (12-Pan Capacity) (Incls. Items 14 & 15).....	1
14	01-100V14-00047	Caster - Rigid Plate.....	2
15	01-100V14-00046	Caster - Swivel Plate (With Brake).....	2
16	01-1M6428-00001	Retainer - Top Gasket.....	1
17	01-1M6491-00001	Gasket - Door Opening Top.....	1
18	01-1M7311-00001	Kit - Light Replacement.....	3
19	01-1M7585-00105	Cover - Water Supply.....	1
20	01-1M7668-00001	Kit - Door Switch Upgrade (Before S/N 242047840).....	1
**21	01-1M5816-00001	Switch, Bracket Assy. (Previous Construction).....	2
22	01-1M5552-00001	Switch Assy. (Rack Rotation).....	1
23	01-1M5553-00001	Magnet Assy.....	1
24	01-1M7608-00001	Water Solenoid Assy.....	1
25	01-1M7645-00005	Harness - Vent Motor.....	1
26	01-1M7566-00103	Cover - Motor Vent.....	1
27	01-1000V4-00434	Washer - Flat #10 (SST).....	1
28	01-1000V4-00386	Screw Hex Hd. 10-32 x 1/2 In. (SST).....	2
29	01-1000V0-00148	Grommet - Nylon (1/2 x 3/8 In.).....	2
30	01-1M7637-00001	Vent Motor Assy.....	1
31	01-1M7566-00102	Shaft - Vent.....	1
32	01-1M7566-00101	Bracket - Vent Mount.....	1
33	01-1M7566-00005	Vent Adjust Bracket.....	1
34	01-1M7566-00003	Vent Lid Assy. (RH).....	1
35	01-1M7566-00002	Vent Lid Assy. (LH).....	1
36	01-1M7566-00001	Vent Motor Assy. (Incls. Items 27 thru 35).....	1
37	01-1M7645-00201	Bracket - High Limit/Molex Mount (Before 6/1/24).....	1
38	01-1M7653-0001G	Panel Assy. (RH).....	1
39	01-1M7665-00001	Switch Assy. - Doors (Incls. Items 40 thru 44).....	1
40	01-1M7665-00101	Bracket - Door Sensor Switch (Starting S/N 242047840).....	1
41	01-1M5816-00101	Switch Assy. - Door Magnet (Starting S/N 242047840).....	2
42	01-1000V4-00313	Screw 4-40 x 3/8 (SST).....	4
43	01-1000V4-00464	Lockwasher #4 (SST).....	4
44	01-1000V4-00462	Nut 4-40 Hex (SST).....	4
45	01-100V16-01085	Board - I/O.....	1
46	01-100V10-00372	Fuse (10 Amp., 250 V.).....	1
47	01-100V10-00373	Fuse (200 mA., 250 V.).....	1

* Optional Part

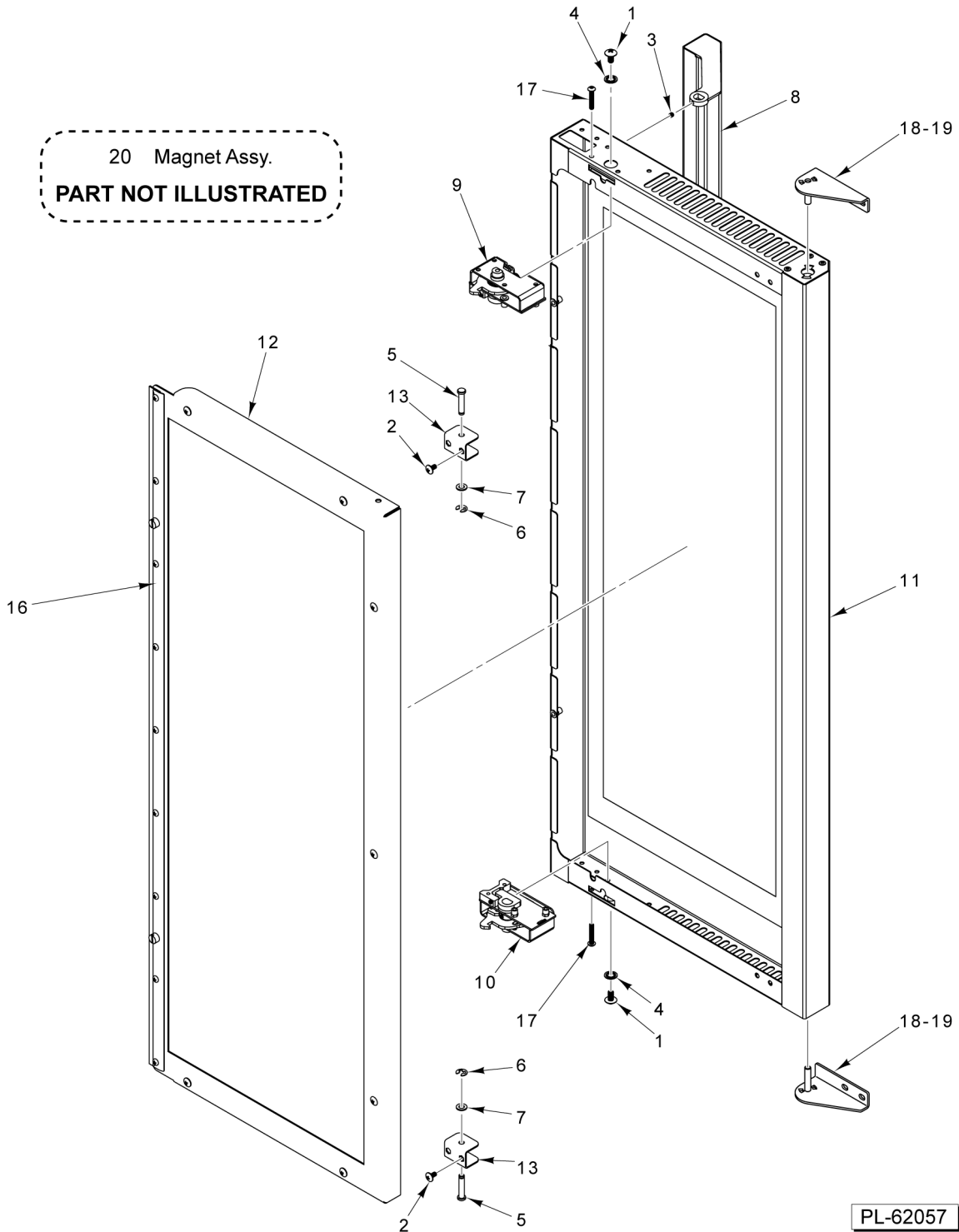
** Upgrade Using 01-1M7668-00001 Kit



INTERIOR PANELS

INTERIOR PANELS

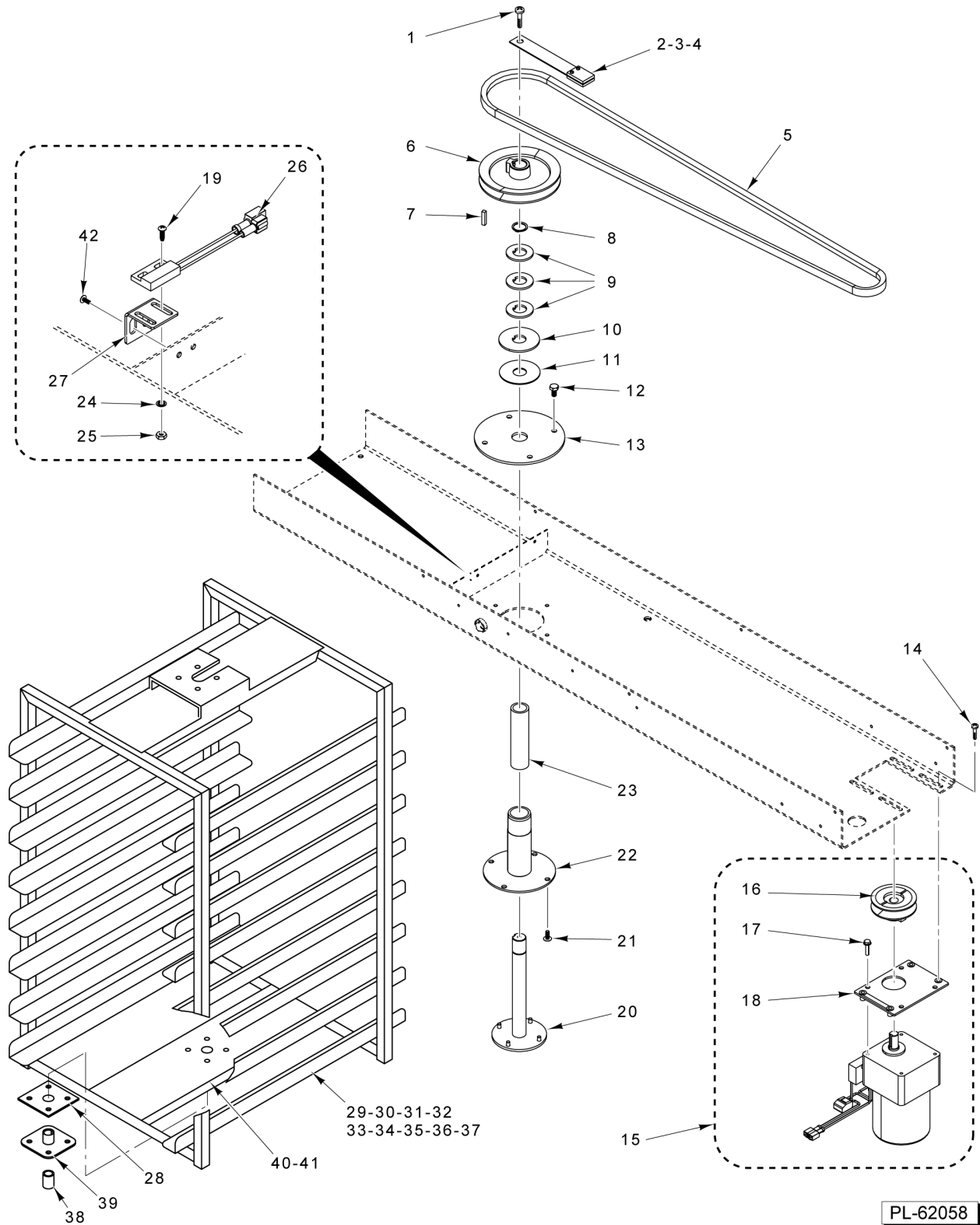
ILLUS.	PART NO.	NAME OF PART	AMT.
1	01-1M7577-00001	Pressure Panel Assy. (W/ Screen) (Incls. Items 4, 7, 8, 11, 13, & 14).....	1
2	01-1M4212-00002	Bracket - Lower Mounting (Incls. Item 5).....	1
3	01-1M5379-00001	Shutter - Airflow.....	1
4	01-1M5379-00002	Shutter - Airflow (Front RH).....	4
5	01-1000V4-00121	Insert - Threaded 10-32 Hex.....	AR
6	01-1M4211-00002	Bracket - Upper Mounting (Incls. Item 5).....	1
7	01-1000V4-00386	Screw Hex Hd. 10-32 x 1/2 In. (SST).....	AR
8	01-1000V4-00434	Washer - Flat #10 (SST).....	AR
9	01-1000V4-00220	Nut - Coupler 8-32 x 5/8.....	AR
10	01-1000V4-00553	Mach. Screw 10-32 x 1 In. (SST).....	AR
11	01-1M7577-00202	Grill - Pressure.....	1
12	01-1000V4-00518	Washer.....	4
13	01-1000V4-00470	Lockwasher 1/4 In. (SST).....	4
14	01-1000V4-00534	Bolt 1/4-20 x 3/4 In.....	4
15	01-1M5403-00001	Gauge Set - Airflow.....	1



DOOR ASSEMBLY

DOOR ASSEMBLY

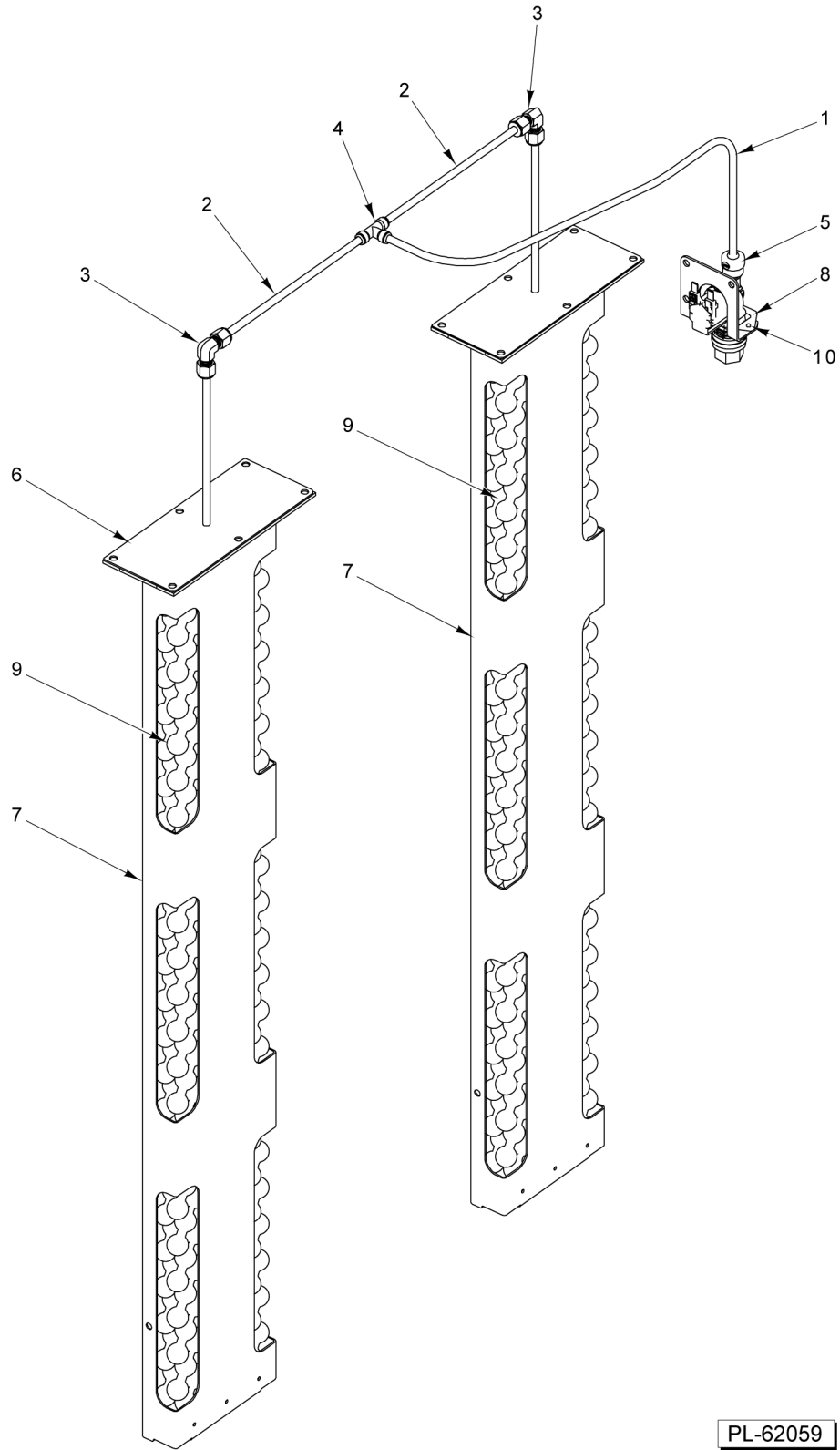
ILLUS. PL-62057	PART NO.	NAME OF PART	AMT.
1	01-1000V4-00503	Mach. Screw 1/4-20 x 1/2 In. (SST).....	2
2	01-1000V4-00350	Mach. Screw 10-32 x 3/8 Phil. Hd. (SST).....	4
3	01-1000V4-00106	Set Screw 10-32.....	2
4	01-1000V4-00032	Washer - Lock 5/16 (SST).....	2
5	01-1000V1-00091	Pin - Clevis w/ Retainer.....	2
6	01-1000V0-00112	Snap Ring (1/4) (SST).....	2
7	01-1000V0-00093	Washer 1/4 (SST).....	2
8	01-1M7583-00011	Handle Assy.....	1
9	01-1M7583-00002	Latch Assy. (Top LH) (Bottom RH).....	1
10	01-1M7583-00001	Latch Assy. (Top RH) (Bottom LH).....	1
11	01-1M7570-00004	Door Assy. W/ Glass.....	1
12	01-1M7570-00003	Glass Assy. (Inner).....	1
13	01-1M7570-00002	Door Pivot Assy.....	2
14	01-1M7584-00001	Loading Door Assy. (RH).....	1
15	01-1M7584-00002	Loading Door Assy. (LH).....	1
16	01-100V16-01161	Gasket - Door.....	2
17	01-1000V4-00676	Bolt Button Hd. 10-32 x 1-1/8 (SST).....	2
18	01-1M6189-00005	Mount - Door Bearing Weldment (Top LH) (Bottom RH).....	2
19	01-1M6189-00006	Mount - Door Bearing Weldment (Top RH) (Bottom LH).....	2
20	01-1M6436-00001	Magnet Assy.....	1



ROTATOR AND RACK ASSEMBLY

ROTATOR AND RACK ASSEMBLY

ILLUS. PL-62058	PART NO.	NAME OF PART	AMT.
1		Screw 1/4-20 x 1/2 Truss Hd.....	1
2	00-175999	Actuator - Magnetic.....	1
3	01-1M3383-00001	Plate - Magnet Mounting.....	1
4	01-1000V6-00203	Screw 6-32 x 3/8 Pan Hd.....	2
5	01-1000V3-00116	Belt - V (64 In.).....	1
6	01-1000V3-00090	Sheave.....	1
7	01-1000V1-00095	Key (SST).....	1
8	01-1000V1-00097	Snap Ring (SST).....	1
9	01-1M6835-00301	Washer.....	3
10	01-1M6835-00103	Washer.....	1
11	01-1000V0-00132	Bearing - Thrust.....	1
12	01-1000V4-00533	Cap Screw 1/4-20 x 1/2 Hex Hd. (SST).....	1
13	01-1M3358-00004	Disk - Thrust.....	1
14	01-1000V4-00284	Screw 10-32 x 3/4 Hex Washer Hd., Serrated Flange (SST).....	8
15	01-1M7462-00001	Motor Assy. (Rack Rotation) (Incls. Items 16 thru 18).....	1
16	01-1000V3-00117	Sheave - Die Cast (2.5 In. x 0.5 in. Bore).....	1
17	01-1000V4-00284	Screw 10-32 x 3/4 Hex Washer Hd., Serrated Flange (SST).....	4
18	01-1M7463-00001	Plate - Rack Rotation Motor.....	1
19	01-1000V4-00313	Screw 4-40 x 3/8 (SST).....	1
20	01-1M7465-00001	Shaft - Rotator (Upper).....	1
21	01-1000V4-00412	Mach. Screw 10-32 x 1/2 Phil. Truss Hd. (SST).....	1
22	01-1M3363-00004	Housing - Rotator (Upper).....	1
23	01-1000V0-00141	Bearing.....	1
24	01-1000V4-00313	Screw 4-40 x 3/8 (SST).....	2
25	01-1000V4-00464	Lockwasher #4 (SST).....	2
26	01-1M5816-00101	Switch Assy. - Door Magnet.....	1
27	01-1M3384-00002	Bracket - Mounting Switch.....	1
28	01-1M3364-00002	Housing - Bearing (Lower Rotator).....	1
29	01-1M5965-00005	Rack - End Load (5-Pan) (Removable) (Step Slide).....	1
30	01-1M5965-0006D	Rack - End Load (6-Pan) (Removable) (Step Slide).....	1
31	01-1M5965-0008D	Rack - End Load (8-Pan) (Removable) (Step Slide).....	1
32	01-1M5965-00006	Rack - End Load (6-Pan) (Removable) (Straight Slide).....	1
33	01-1M5965-00008	Rack - End Load (8-Pan) (Removable) (Straight Slide).....	1
34	01-1M5965-00010	Rack - End Load (10-Pan) (Removable) (Straight Slide).....	1
35	01-1M5965-00012	Rack - End Load (12-Pan) (Removable) (Straight Slide).....	1
36	01-1M5967-00006	Rack - Side Load (6-Pan) (Removable) (Straight Slide).....	1
37	01-1M5967-00008	Rack - Side Load (8-Pan) (Removable) (Straight Slide).....	1
38	01-1000V0-0072B	Bearing - Rotator (Lower).....	1
39	01-1M3366-00001	Shaft - Lower Rotator.....	1
40	01-1M3417-00003	Support, Rack Bottom Assy. (For End-Load Removable Racks Only) (Items 29 thru 35).....	1
41	01-1M3417-00004	Support, Rack Bottom Assy. (For Side-Load Removable Racks Only) (Items 36 & 37).....	1
42	01-1000V4-00386	Screw Hex Hd. 10-32 x 1/2 In. (SST) (SST).....	2



PL-62059

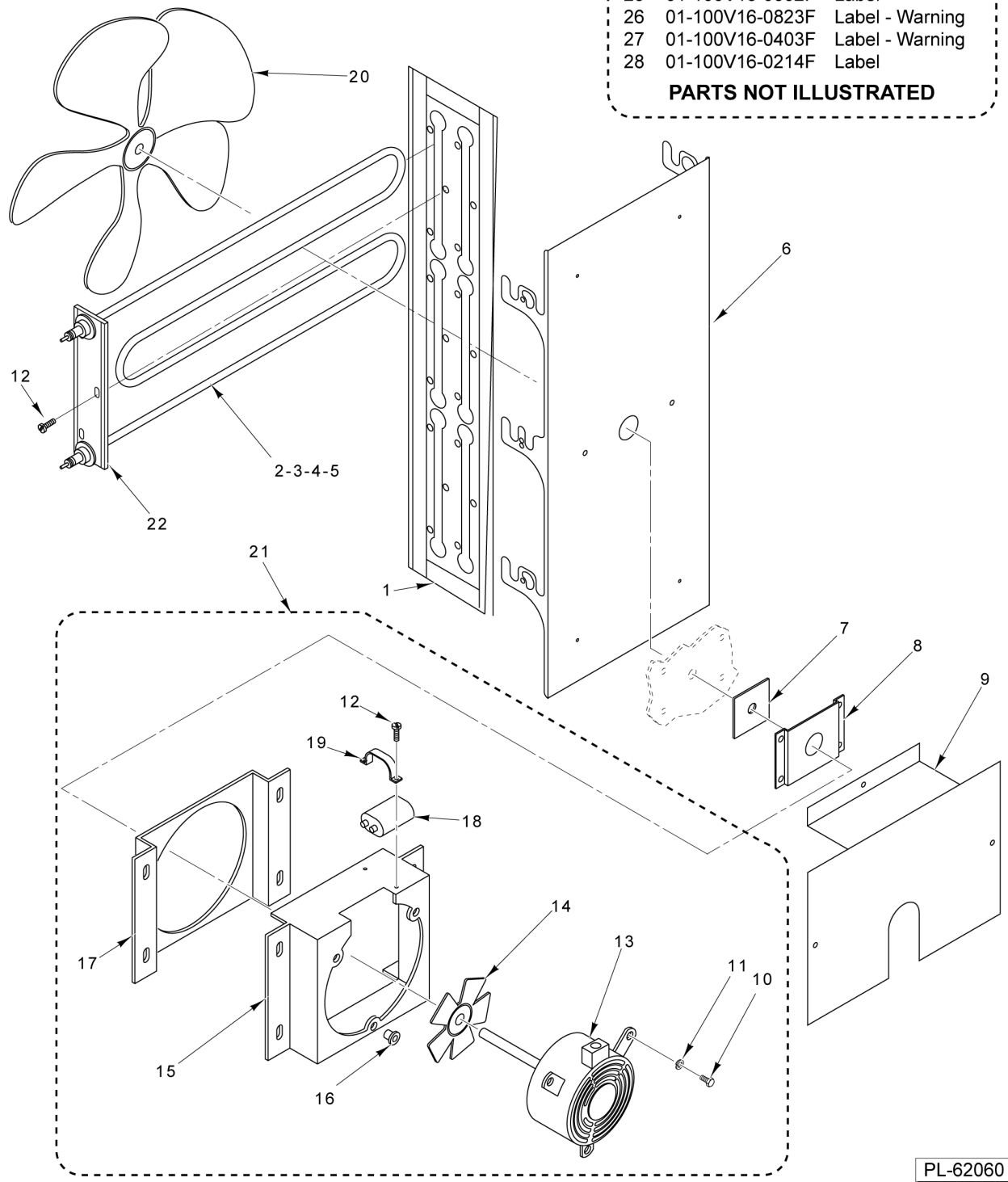
WATER/STEAM SUPPLY

WATER/STEAM SUPPLY

ILLUS.	PART NO.	NAME OF PART	AMT.
	PL-62059		
1	01-1M7616-00001	Tube 1/4 In. Plastic - Clear.....	1
2	01-1M7615-00001	Tube 1/4 In. (SST).....	2
3	01-100V17-00853	Elbow 90 Deg. - 1/4 x 1/4 In. (SST).....	2
4	01-100V17-00823	Tee, Push to Connect 1/4 In. Tubing.....	1
5	01-100V17-00829	Valve - Solenoid (Plastic).....	1
6	01-1M7603-00002	Plate - Steamer Manifold.....	2
7	01-1M7600-00101	Retainer - Steam Ball.....	2
8	01-1M7608-00101	Bracket - Water Solenoid (SST).....	1
9	01-1M5975-00001	Steamer - Balls.....	AR
10	01-100V12-00023	Rivet - Button Head. 1/8 In. (SST).....	2

23	01-100V16-0259F	Label - Warning
24	01-100V16-0849F	Label
25	01-100V16-0602F	Label
26	01-100V16-0823F	Label - Warning
27	01-100V16-0403F	Label - Warning
28	01-100V16-0214F	Label

PARTS NOT ILLUSTRATED



HEATING ELEMENTS AND AIR CIRCULATION SYSTEM

HEATING ELEMENTS AND AIR CIRCULATION SYSTEM

ILLUS.	PART NO.	NAME OF PART	AMT.
PL-62060			
1	01-1M5986-00001	Seal - Plate Assy.....	1
2	01-1M6162-00240	Element - Heating (240 V.) W-Shape (Incls. Item 30).....	6
3	01-1M6162-00208	Element - Heating (208 V.) W-Shape (Incls. Item 30).....	6
4	01-1M6162-00480	Element - Heating (480 V.) W-Shape (Incls. Item 30).....	6
5	01-1000V5-00029	Terminal - Bare Ring Tongue #10.....	12
6	01-1M4354-00002	Support - Element.....	1
7	01-1M3343-00002	Seal - Fan.....	1
8	01-1M3342-00001	Retainer - Seal.....	1
9	01-1M4352-00002	Cover - Insulation.....	1
10	01-1000V4-00534	Bolt 1/4-20 x 3/4 In. (SST).....	3
11	01-1000V4-00470	Lockwasher 1/4 In. (SST) 1/4 (SST).....	3
12	01-1000V4-00412	Mach. Screw 10-32 x 1/2 Phil. Truss Hd. (SST).....	AR
13	01-1M4881-00001	Motor - Circulation.....	1
14	01-1000V8-00097	Blade - Fan (Motor).....	1
15	01-1M4390-00002	Base - Motor Bracket (Incls. Item 16).....	1
16	01-1000V4-00122	Insert - Threaded 1/4-20.....	3
17	01-1M4447-00002	Channel - Fan Inlet.....	1
18	01-1A2141-00001	Kit - Capacitor (Incls. Item 19).....	1
19	01-1000V8-0049D	Bracket - Mounting.....	1
20	01-1000V8-00160	Blade - Fan Circulation.....	1
21	01-1M4446-00001	Circulation Motor Assy. (Incls. Items 10 thru 19).....	1
22	01-1M5976-00002	Assy - Bracket, Element.....	6
23	01-100V16-0259F	Label - Warning (Hot Air).....	1
24	01-100V16-0849F	Label (With Casters).....	1
25	01-100V16-0602F	Label (Do Not Store Items On Top).....	1
26	01-100V16-0823F	Label - Warning (Breaker Behind Cover).....	1
27	01-100V16-0403F	Label - Warning (California).....	1
28	01-100V16-0214F	Label (More Than One Power Supply).....	1

