



CATALOG OF REPLACEMENT PARTS



PD35 & PD70 Current Production - POWER DRIVE UNIT

ML-19812

ML-19813

ML-32450

PD35

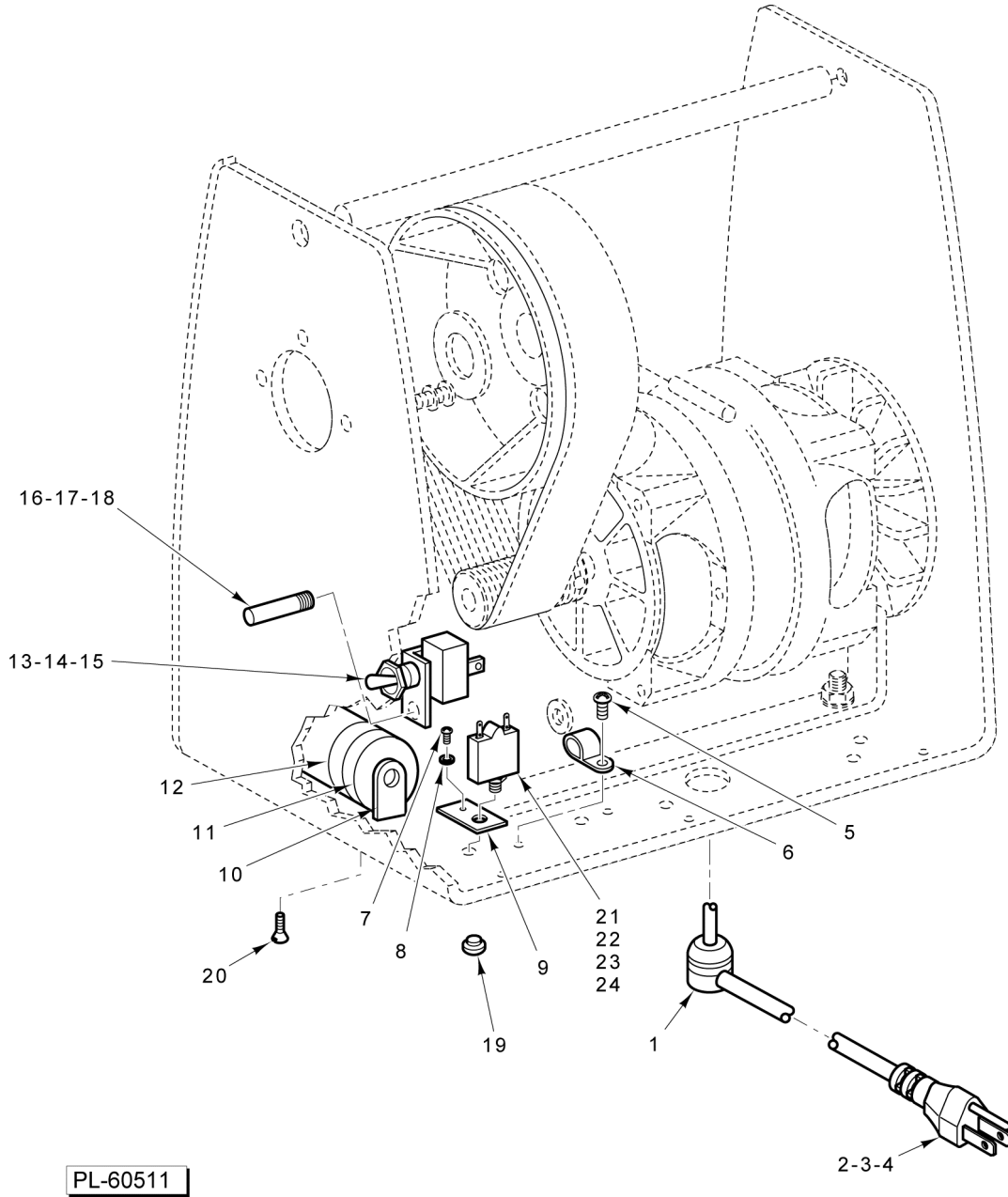
PD70

PD70 (Canada)

(Includes Motor Parts)

Table of Contents

| | |
|---|------------------|
| 5 | SWITCH AND RESET |
| 7 | POWER DRIVE UNIT |
| 9 | MOTOR UNIT |

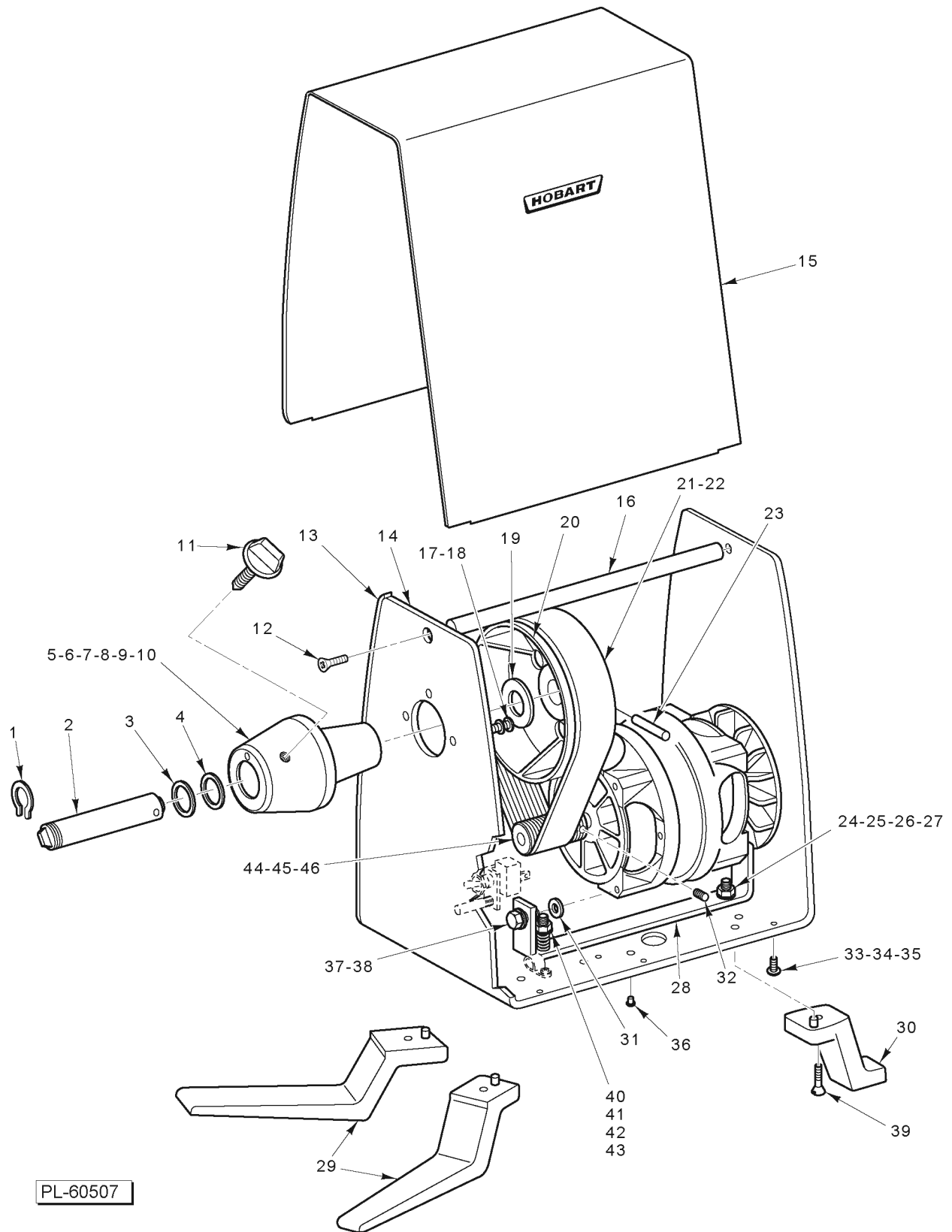


SWITCH AND RESET

SWITCH AND RESET

| ILLUS. | PART NO. | NAME OF PART | AMT. |
|----------|-----------------|--|------|
| PL-60511 | | | |
| 1 | FE-015-05 | Strain Relief..... | 1 |
| 2 | 00-117542-00021 | Cord & Plug (115 V.)..... | 1 |
| 3 | SC-018-52 | Mach. Screw 10-24 x 5/16 Pan Hd. (Ground Wire to Frame)..... | 1 |
| 4 | WL-007-12 | Lockwasher #10 External Shakeproof..... | 1 |
| 5 | SC-018-52 | Mach. Screw 10-24 x 5/16 Pan Hd..... | 1 |
| 6 | 00-078752-00012 | Clamp - Cable..... | 1 |
| 7 | SC-009-82 | Mach. Screw 8-32 x 5/16 Slotted Rd. Hd..... | 1 |
| 8 | WL-003-13 | Lockwasher #8 Helical..... | 1 |
| 9 | 00-915674 | Bracket..... | 1 |
| *10 | 00-066621-00003 | Bracket - Capacitor..... | 1 |
| *11 | 00-070486-00001 | End Cap - Capacitor..... | 1 |
| *12 | 00-070487-00001 | Capacitor (1 Ph.)..... | 1 |
| 13 | 00-000286 | Lock - Switch..... | 1 |
| 14 | 00-076612 | Plate - Switch Indicator..... | 1 |
| 15 | 00-087711-148-1 | Switch (With Nuts)..... | 1 |
| 16 | 00-000767 | Guard - Switch..... | 1 |
| 17 | NS-009-22 | Nut 10-24 Hex..... | 1 |
| 18 | WL-006-06 | Lockwasher #10 Helical (SST)..... | 1 |
| 19 | PB-015-21 | Plug (Domestic)..... | 1 |
| 20 | SD-024-16 | Self-Tapping Screw 10-24 x 1/2 Phil. Flat Hd., Type TT..... | 2 |
| 21 | 00-915681-00001 | Kit - Motor Protector (120 V.) (Canada Only) (Incls. Items 7, 8, 9, & 23)..... | 1 |
| 22 | 01-915681-00002 | Kit - Motor Protector (230 V.) (Canada Only) (Incls. Items 7, 8, 9, & 24)..... | 1 |
| 23 | 00-937596-00001 | Protector - Motor (115 V.) (Canada Only)..... | 1 |
| 24 | 00-937596-00002 | Protector - Motor (220 V.) (Canada Only)..... | 1 |

* (Hobart Built Motor Only)



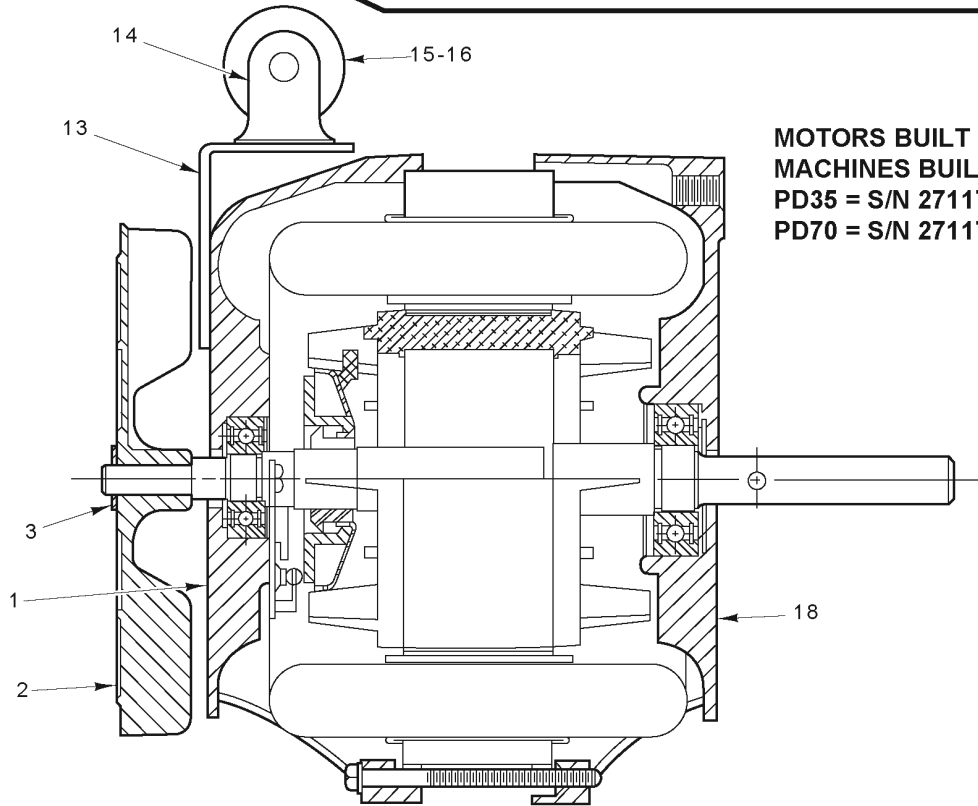
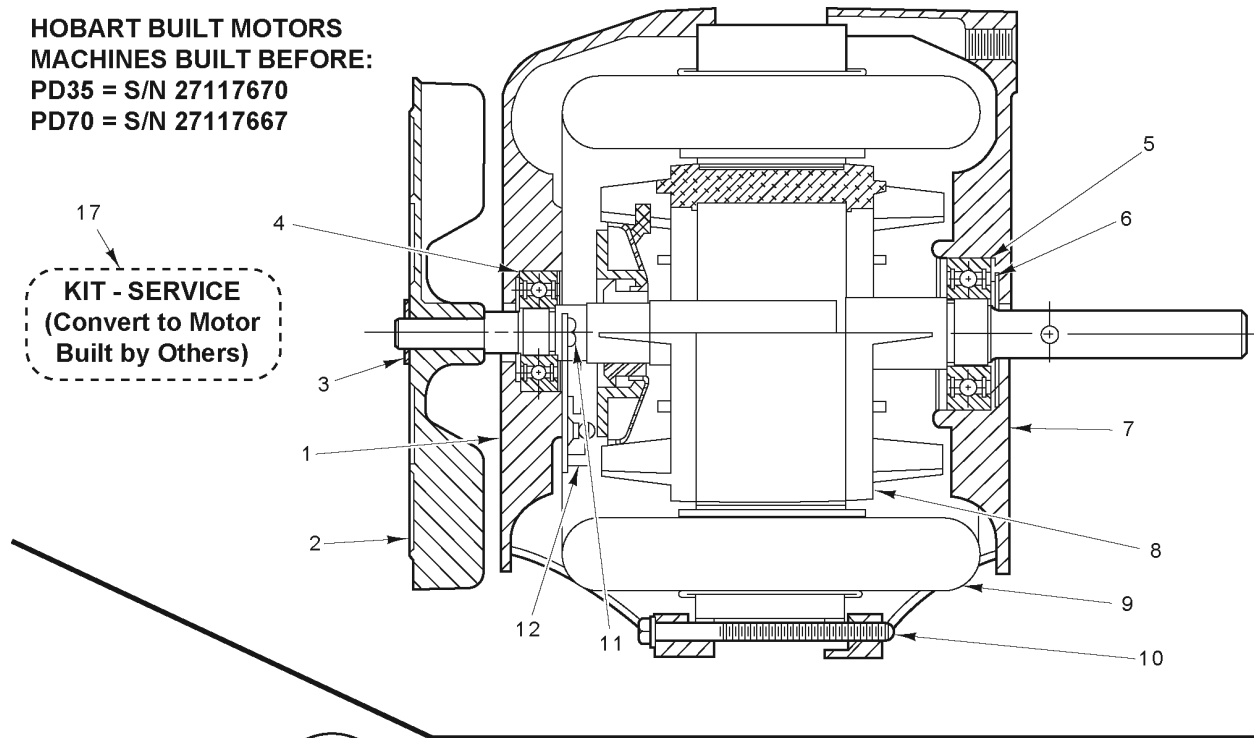
POWER DRIVE UNIT

POWER DRIVE UNIT

| ILLUS. | PART NO. | NAME OF PART | AMT. |
|----------|-----------------|--|------|
| PL-60507 | | | |
| 1 | RR-009-04 | Retaining Ring..... | 1 |
| 2 | 00-076868 | Sleeve - Drive..... | 1 |
| 3 | WS-025-05 | Washer (SST)..... | 1 |
| 4 | WS-025-04 | Washer (Fiber)..... | 1 |
| 5 | 00-076864 | Hub Assy. (Incls. Item 6)..... | 1 |
| 6 | 00-076866 | Needle Bearing..... | 2 |
| 7 | 00-118159-00001 | Shim (0.002 Thk.)..... | 1 |
| 8 | 00-118159-00002 | Shim (0.005 Thk.)..... | 1 |
| 9 | 00-118159-00003 | Shim (0.008 Thk.)..... | 1 |
| 10 | 00-118159-00004 | Shim (0.015 Thk.)..... | 1 |
| 11 | 00-108197-00001 | Thumb Screw 1-1/4..... | 1 |
| 12 | SC-014-95 | Mach. Screw 1/4-28 x 5/8 Slotted Flat Hd..... | 2 |
| 13 | 00-526192 | Tape - Gray Vinyl Foam..... | AR |
| 14 | 00-290246-00002 | NLA - Obsolete--Frame Assy. (Incls. Welded Tie Rod)..... | 1 |
| 15 | 00-076888 | Cover & Logo Plate Assy..... | 1 |
| 16 | 00-076860 | Rod - Tie..... | 1 |
| 17 | WL-003-48 | Lockwasher 5/16 High Collar..... | 3 |
| 18 | SC-012-94 | Mach. Screw 5/16-18 X 3/4 Slotted Fil. Hd..... | 3 |
| 19 | WS-013-41 | Washer (Fiber)..... | AR |
| 20 | 00-076869 | Pulley - Flat..... | 1 |
| 21 | 00-076870-00001 | Belt - Poly V (24 In.) (PD35)..... | 1 |
| 22 | 00-076870-00002 | Belt - Poly V (26 In.) (PD70)..... | 1 |
| 23 | RP-004-28 | Pin - Roll 0.250 (1-3/4 Lg.)..... | 1 |
| 24 | NS-013-14 | Nut 5/16-18 Hex..... | 2 |
| 25 | WL-003-48 | Lockwasher 5/16 High Collar..... | 2 |
| 26 | SC-014-65 | Mach. Screw 5/16-18 x 1 Slotted Flat Hd..... | 2 |
| 27 | PB-004-48 | NLA - Obsolete--Cap..... | 4 |
| 28 | 00-290243 | NLA - Obsolete--Bracket - Motor Mount..... | 2 |
| 29 | 00-076861 | Leg Assy. (Long) (Front)..... | 2 |
| 30 | 00-076877 | Leg Assy. (Short) (Rear)..... | 2 |
| 31 | WS-017-16 | Washer..... | 2 |
| 32 | SC-116-87 | Set Screw 10-24 x 1/4 Hds., Cup Pt..... | 1 |
| 33 | WS-023-03 | Washer (SST)..... | AR |
| 34 | WS-019-20 | Washer 0.219 x 0.375 x 0.031 (SST)..... | AR |
| 35 | SD-024-01 | Self-Tapping Screw 10-24 x 3/8 Slotted Pan Hd., Type TT..... | 6 |
| 36 | 00-072084 | Cap - Caplug (Tapered)..... | 4 |
| 37 | WL-003-44 | Lockwasher 5/16 Helical..... | 4 |
| 38 | SC-037-75 | Cap Screw 5/16-18 x 3/4 Hex Hd..... | 4 |
| 39 | SC-014-65 | Mach. Screw 5/16-18 x 1 Slotted Flat Hd..... | 4 |
| 40 | NS-031-26 | NLA - Obsolete--Stop Nut 5/16-18..... | 1 |
| 41 | 00-290240 | Spring - Tension..... | 1 |
| 42 | SC-014-05 | Mach. Screw 5/16-18 x 1-3/4 Slotted Flat Hd..... | 1 |
| 43 | WL-009-14 | Lockwasher 5/16 External Shakeproof..... | 2 |
| 44 | 00-290241 | Pulley - Drive (1.3 P.D.) (PD35)..... | 1 |
| 45 | 00-290242 | Pulley - Drive (2.6 P.D.) (PD70)..... | 1 |
| 46 | 00-012430-00072 | Key..... | 1 |

**HOBART BUILT MOTORS
MACHINES BUILT BEFORE:
PD35 = S/N 27117670
PD70 = S/N 27117667**

**KIT - SERVICE
(Convert to Motor
Built by Others)**



**MOTORS BUILT BY OTHERS
MACHINES BUILT ON OR AFTER:
PD35 = S/N 27117670
PD70 = S/N 27117667**

PL-60508

MOTOR UNIT

MOTOR UNIT

| ILLUS. | PART NO. | NAME OF PART | AMT. |
|----------|-----------------|--|------|
| PL-60508 | | | |
| *1 | | Bracket - Bearing (Switch End)..... | 1 |
| 2 | 00-292466-00002 | Fan - Ventilating..... | 1 |
| 3 | RR-007-18 | Retaining Ring..... | 1 |
| 4 | BB-018-12 | Ball Bearing - Fafnir #P201KDD..... | 1 |
| 5 | BB-020-18 | Bearing - Ball..... | 1 |
| 6 | SL-002-10 | Loading Spring - N.D. #S-17-A..... | 1 |
| 7 | 00-111834 | Bracket - Bearing (Drive End)..... | 1 |
| *8 | | Rotor Assy..... | 1 |
| *9 | | Stator Assy. (115 V., 60 Hz., 1 Ph.)..... | 1 |
| 10 | 00-101233-00003 | Mach. Screw 8-32 x 3 Hex Washer Hd..... | 4 |
| 11 | SD-009-34 | Self-Tapping Screw 6-32 x 3/8 Phil. Pan Hd., Type F..... | 2 |
| *12 | | Switch - Starting (Stationary Part)..... | 1 |
| 13 | 00-290290 | Bracket - Capacitor Mounting..... | 1 |
| 14 | 00-066621-00001 | Bracket - Capacitor..... | 1 |
| 15 | 00-070487-00001 | Capacitor (1 Ph.)..... | 1 |
| 16 | 00-070486-00002 | Cap - Capacitor End..... | 1 |
| 17 | 00-270473-00001 | Kit - Service (Convert Hobart Motor)..... | 1 |
| 18 | 00-293924-00001 | Motor Assy. (PD35 & PD70)..... | 1 |

* (This part no longer available; order Item 17.)

