



Project _____
 AIA # _____ SIS # _____
 Item # _____ Quantity _____ C.S.I. Section 114000



FT2000S BAS ELECTRIC Flight-Type Dishwashing Machine



Complies with EPA Reduction of Lead in Drinking Water Act 2014
 Meets requirements of ASSE Standard No. 1004

SPECIFIER STATEMENT

The specified machine will be a Hobart FT2000S BAS flight type dish machine. Features include Complete Delime™ with Delime Notification, Auto Dispensing and Booster Guard™ with dedicated delimer storage location, capless anti-clogging wash arms, insulated ergonomic cabinet style insulated doors, touchscreen controls with WiFi connectivity, an accessible load and unload platforms that open for easy cleaning, 56 gallons of final rinse consumption per hour with dual rinse, and 30" wide conveyor belt.

STANDARD FEATURES

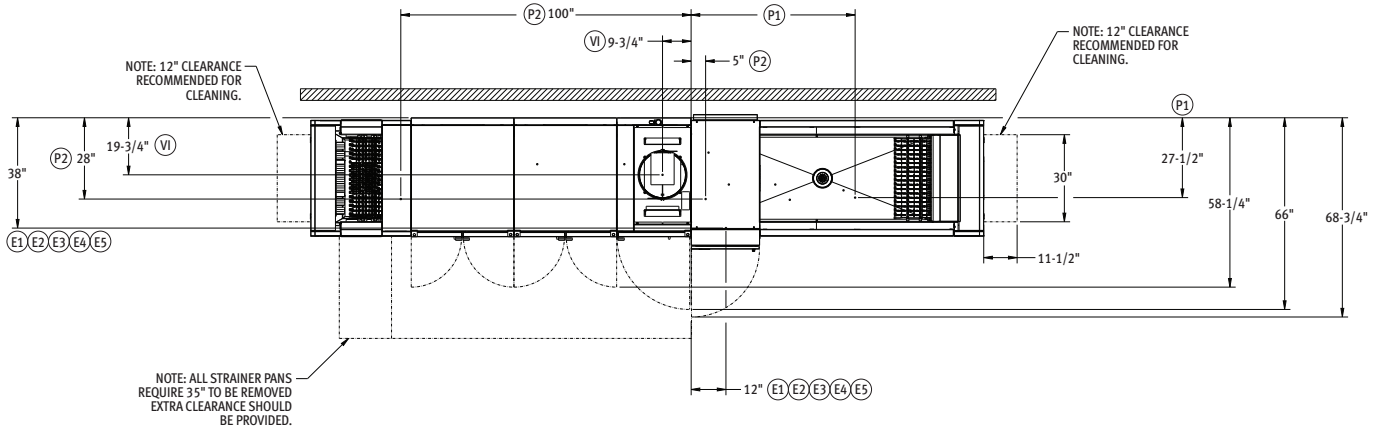
- + Complete Delime™ with Booster Guard™, Delime Notification, and Auto Dispensing
- + Capless wash arms
- + Water usage 56 gph via pumped final rinse (pressure gauge not required)
- + User-friendly smart touchscreen controls with diagnostics & troubleshooting
- + WiFi connectivity
- + SmartConnect app and cloud with machine status, temperature logs, error code reporting, and cost, consumption and usage analysis
- + Hinged insulated cabinet-style doors with interlocks
- + Load and unload platform with end and removable side panels for ease of cleaning
- + 31" access on prewash/ASR and wash chambers; 20" access on dual/final rinse chamber
- + Start and stop switches at both ends
- + Low temperature alert
- + Dirty water indicator
- + Foot activated drain levers
- + Doors open indicator
- + Drains open indicator
- + 3.5 H.P. prewash and wash pump motors, all TEFC
- + Easy to remove stainless steel scrap pans and baskets with color indicators
- + 30" wide conveyor belt
- + Dual rinse
- + Front and rear enclosure panels
- + 2 selectable conveyor speeds (medium and low)
- + Electric booster heater
- + Field convertible drain to load or unload
- + Service diagnostics

OPTIONS & ACCESSORIES (Available at extra cost)

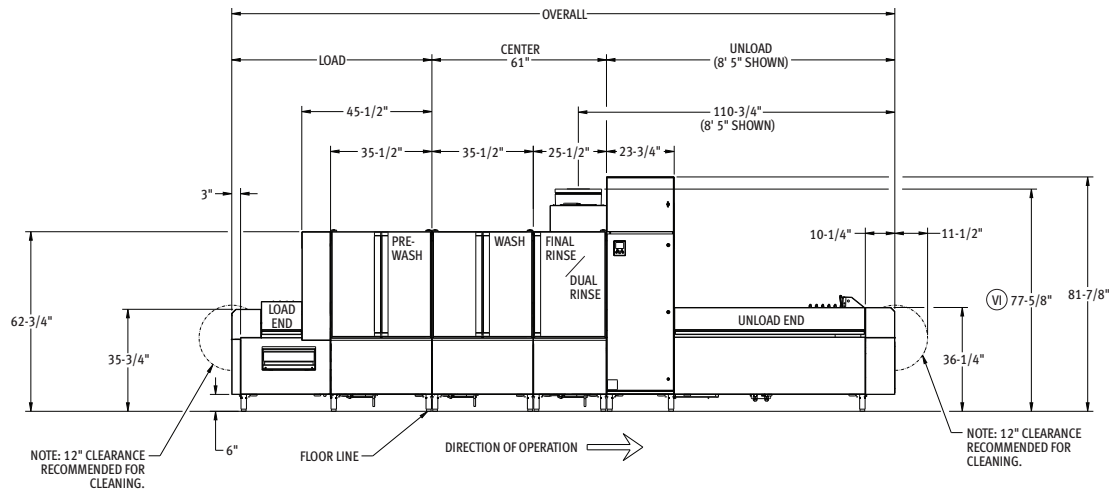
- Multiple conveyor options (See page 6)
- Drain Water Tempering Kit
- Factory mounted circuit breakers
- 6" higher than standard chamber
- Flanged feet (field installed)
- Water hammer arrestor kit (field installed)
- WS-80 water softener (field installed)
- Insulated split, vertical slide-up doors
- Correctional packages available

FT SERIES – FT2000S BAS ELECTRIC

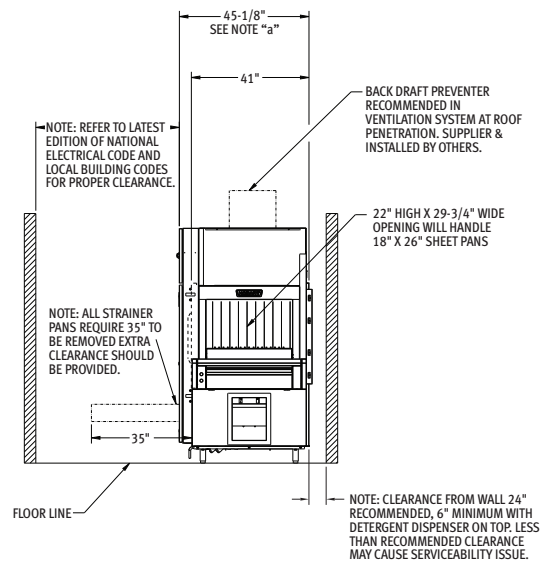
Approved by _____ Date _____ Approved by _____ Date _____



Top View Left to Right



Front View Left to Right

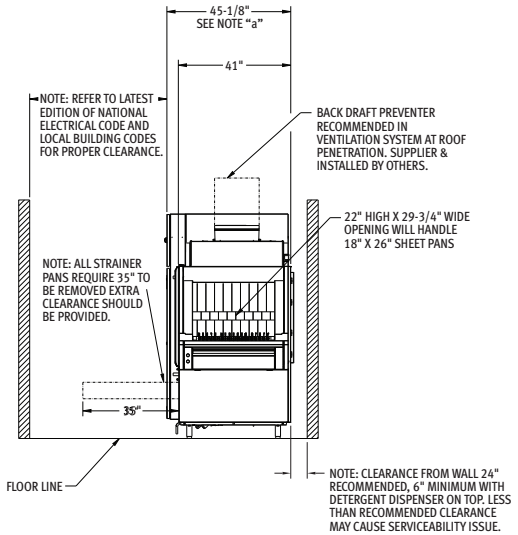
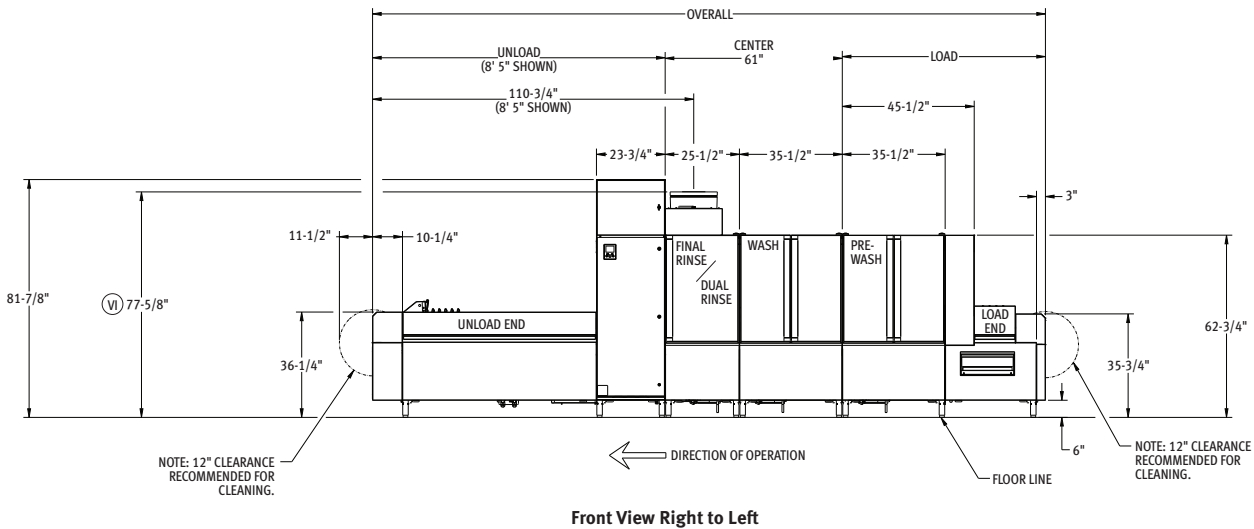
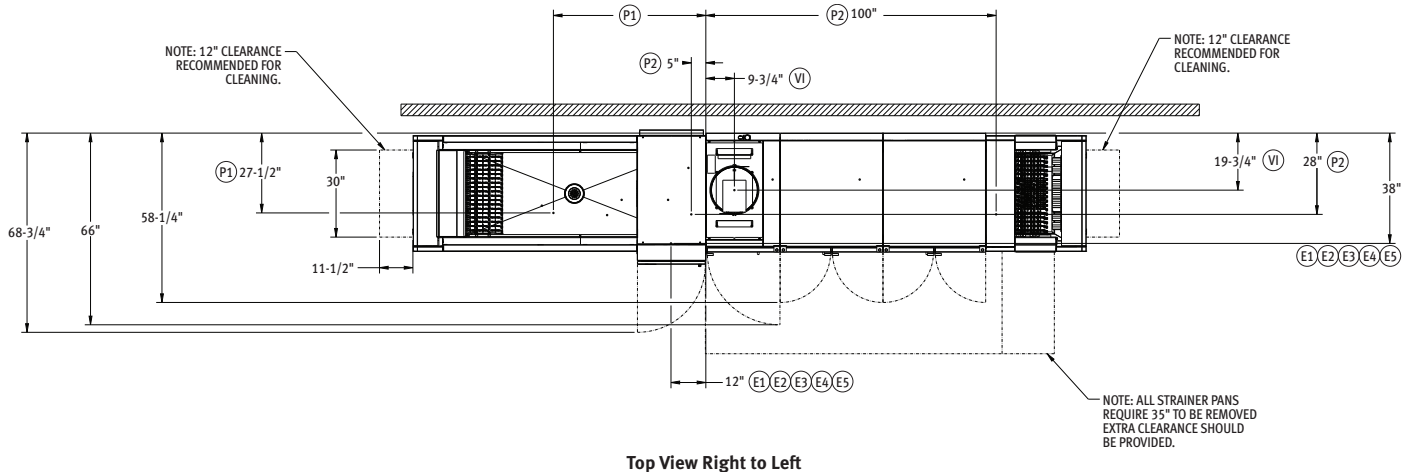


Back/Unload End

CAD and/or Revit Files Available



FT2000S BAS ELECTRIC Flight-Type Dishwashing Machine



CAD and/or Revit Files Available



FT2000S BAS ELECTRIC

Flight-Type Dishwashing Machine

LEGEND

Electrical Connections	
E1	Electric Connection For 1TB With or Without Circuit Breakers. 79" AFF.
E2	Electric Connection For 2TB With or Without Circuit Breakers. 79" AFF.
E3	Electric Connection For 3TB Without Circuit Breakers. 79" AFF.
E4	Electric Connection For 4TB Without Circuit Breakers. 79" AFF.
E5	Electric Connection For 5TB Without Circuit Breakers. 79" AFF.

SERVICE CONNECTIONS WITH CIRCUIT BREAKERS (2 CONNECTIONS)

E1 Motors Controls & Booster Heat (11TB) (1) Service Connection as Shown Below			
Voltage	Rated Amps	Minimum Supply Circuit Ampacity	Maximum Protective Device
208/60/3	60.9	80	80
240/60/3	56.5	80	80
480/60/3	31.1	40	40
600/60/3	25.2	35	35

E2 Wash, Dual Rinse Heat (12TB) (1) Service Connection as Shown Below			
Voltage	Rated Amps	Minimum Supply Circuit Ampacity	Maximum Protective Device
208/60/3	125.7	175	175
240/60/3	109	150	150
480/60/3	54.5	70	70
600/60/3	43.6	60	60

SERVICE CONNECTIONS WITH CIRCUIT BREAKERS (1 CONNECTION)

E1 Motors, Controls, Dual Rinse (11TB) Wash & Booster Heat			
Voltage	Rated Amps	Minimum Supply Circuit Ampacity	Maximum Protective Device
480/60/3	85.6	125	125
600/60/3	68.8	100	100

SERVICE CONNECTIONS WITHOUT CIRCUIT BREAKERS (5 CONNECTIONS)

E1 Motors And Controls (1TB) (1) Connection as Shown Below			
Voltage	Rated Amps	Minimum Supply Circuit Ampacity	Maximum Protective Device
208-240/60/3	27.6	40	40
480/60/3	16.7	25	25
600/60/3	13.7	20	20

E2 Electric Tank Heat (2TB) (1) 21.4 kW Connection as Shown Below			
Voltage	Rated Amps	Minimum Supply Circuit Ampacity	Maximum Protective Device
208/60/3	48	70	70
240/60/3	41.6	60	60
480/60/3	20.8	30	30
600/60/3	16.6	25	25

E3 Electric Tank Heat, Wash (3TB) (1) 18 kW Connection as Shown Below			
Voltage	Rated Amps	Minimum Supply Circuit Ampacity	Maximum Protective Device
208/60/3	48	70	70
240/60/3	41.6	60	60
480/60/3	20.8	30	30
600/60/3	16.6	25	25

E4 Electric Tank Heat, Dual Rinse (4TB) (1) 10.7 kW Connection as Shown Below			
Voltage	Rated Amps	Minimum Supply Circuit Ampacity	Maximum Protective Device
208/60/3	29.7	40	40
240/60/3	25.7	35	35
480/60/3	12.9	20	20
600/60/3	10.3	15	15

E5 Electric Booster (5TB) (1) 12 kW Connection as Shown Below			
Voltage	Rated Amps	Minimum Supply Circuit Ampacity	Maximum Protective Device
208/60/3	33.3	45	45
240/60/3	28.9	40	40
480/60/3	14.4	20	20
600/60/3	11.5	15	15



FT2000S BAS ELECTRIC Flight-Type Dishwashing Machine

WARNING: Electrical and grounding connections must comply with the applicable portions of the National Electrical Code and/or other local electrical codes.

Plumbing connections must comply with applicable sanitary, safety and plumbing codes. Drain and fill line configurations vary, some methods are shown on this drawing.

General Notes:

- (a) This control box is attached to the center section and is rotated 90 degrees allowing the center section to fit through a 42" wide, 7' door opening
 With back panel and end caps removed, control panel hinged back and all rear piping removed and door handles removed, overall width of machine is 40"
 AFF = above finished floor
 For convenience when cleaning customers should install water tap near machine with 30 ft. of heavy duty hose with squeeze valve
 This drawing is supplied for a reference for connection information only. It will not be utilized for manufacturing of the unit

Electrical Notes:

Service wire temperature rating: 90°C minimum
 SCCR 5KA
 Detergent and rinse aid feeder service connections standard on all FT2000 models at machine line voltage
 External chemical box service connections standard on all FT2000 models at machine line voltage
 Dishmachine not provided with internal GFCI protection

Plumbing Notes:

- Recommended water hardness to be 3 grains or less per gallon for best results
 Pressure gauge not required on pumped rinse machines
- (b) Building hot water pressure to the dishwasher is 20–65 PSI
- (c) Water hammer arrestor (meeting ASSE-1010 standard or equivalent) to be supplied (by others) in hot water supply line at service connection

Ventilation Notes:

Room ventilation is required to handle machine’s latent and sensible heat
 Vent fan control standard on all FT2000 Models

Plumbing Connections:

- P1 Common Hot Water Connection (automatic fills 110°F water minimum, 1" FPT, 5-1/2" AFF, see notes (b) and (c))
- P2 Common Drain Connection: may be drained to either end of the unit. Default location is drain to unload, field convertible to load end 2 "FPT. 7" AFF

Ventilation Requirements:

VI Customers vent connection, must fit inside 16" diameter vent stack providing 750 CFM exhaust at machine connection (standard air conditions) backdraft preventer recommended at roof penetration supplied and installed by others 77-5/8" AFF

Miscellaneous Note:

LESS THAN RECOMMENDED CLEARANCE MAY CAUSE SERVICEABILITY OR CODE ISSUE.

For optimal performance, Hobart recommends maintaining a dishroom temperature of 65°F (18°C) or higher, as lower temperatures may hinder the machine’s capacity to operate effectively (with lower performance as ambient temperature decreases).

All dimensions taken from the floor line may increase 3-1/4" with leg adjustment

For accurate machine shipping weight and dimension information, please reach out to your Hobart customer care representative

Shipping weight varies by individual model

Crated dimensions varies by individual model

For HTS add 6" to chamber height opening

SPECIFICATION

Capacities	
Conveyor Speed (Feet Per Min)	4.0–6.3
Dishes Per Hour	10,611
Pre-Wash Tank (U.S. Gallons)	40
Wash Tank (U.S. Gallons)	40
Dual Rinse Tank (U.S. Gallons)	7.2

Motor HP	
Conveyor Motor	1/3 HP
Pre-Wash Pump	3.5 HP
Wash Pump	3.5 HP
Dual Rinse Pump	1/3 HP
Final Rinse Pump	2/3 HP

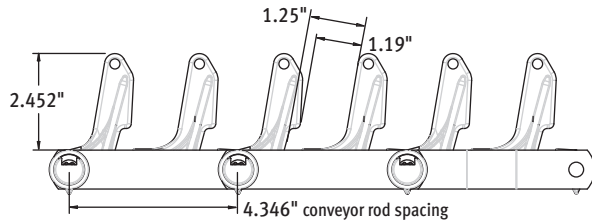
Water Consumption	
U.S. Gallons Per Hour	55
U.S. Gallons Per Minute	0.917

Heating	
Tank Heat, Electric (kW)	Total Tank Heat – 45.3 (Wash, Dual Rinse)
Electric Booster (kW)	12

Heat Gain to Space IBTU/HRI	
Latent	Sensible
61,200	26,200

CONVEYOR TYPE OPTIONS

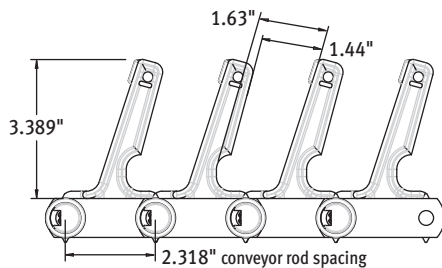
All conveyors provided with standard polypropylene material. Optional stainless steel conveyors available by request. Please contact your sales representative for stainless steel conveyor options.



STANDARD

Standard Conveyor designed for General Ware including tableware (Plates/Bowls), most serving trays (lip height less than 1 1/4") as well as prep-ware (Hotel & Sheet Pans).

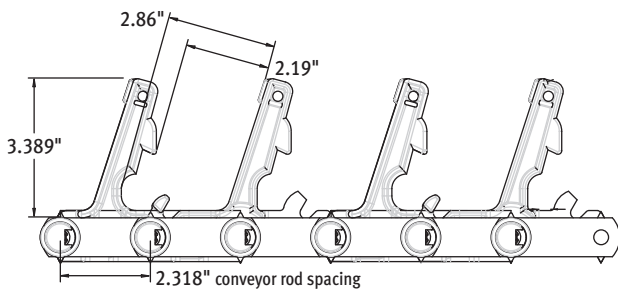
- Optional cross-rods every 4th row available for additional support of heavier ware (oversized ware/mixing bowls) as well as to promote warewashing drainage at optimal angle (hotel pans).



TYPE A

Optional Conveyor designed exclusively with our Healthcare segments in mind. In addition to accommodating General Ware, the Type A conveyor has a tighter conveyor rod spacing which provides increased conveyor density for added strength, as well as additional finger height and spacing to support most insulated dome bases and lids.

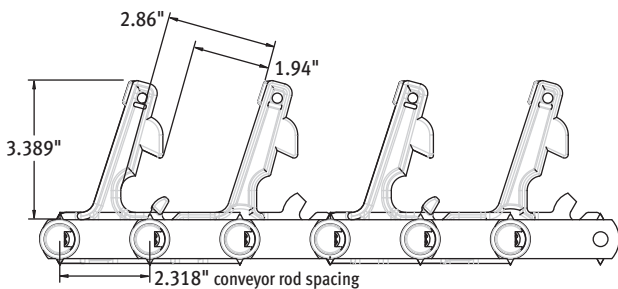
- Optional cross-rods every 4th row available for additional support of heavier ware (oversized ware/mixing bowls) as well as to promote warewashing drainage at optimal angle (hotel pans).



POSITION 1

Optional Conveyor designed for customers using insulated compartmentalized trays, as well as thicker insulated dome bases and lids. In addition to accommodating General Ware, the Position 1 conveyor provides even greater spacing between fingers, as well as a pronounced 3/8" "nose" to secure compartmentalized trays in place.

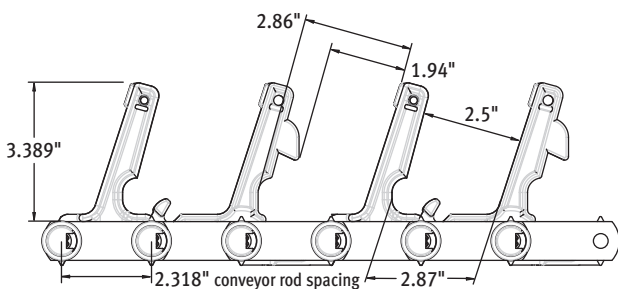
- Optional cross-rods every 4th row available for additional support of heavier ware (oversized ware/mixing bowls) as well as to promote warewashing drainage at optimal angle (hotel pans). Cross-rods can also be used to create stable support for some compartmentalized trays to orient upright through dishmachine.



POSITION 2

Optional Conveyor designed for customers using insulated compartmentalized trays, as well as thicker insulated dome bases and lids. In addition to accommodating General Ware, the Position 2 conveyor provides additional spacing between fingers, as well as a pronounced 5/8" "nose" to secure compartment trays in place.

- Optional cross-rods every 4th row available for additional support of heavier ware (oversized ware/mixing bowls) as well as to promote warewashing drainage at optimal angle (hotel pans). Cross-rods also create stable support for compartmentalized trays to orient upright through dishmachine.



TIVOLI

Optional Conveyor designed exclusively with our Correctional segments in mind. In addition to accommodating General Ware, the Tivoli conveyor provides our widest spacing between fingers as well as a 5/8" "nose" to support the largest insulated compartmentalized trays, commonly used in correctional settings. The Tivoli conveyor comes standard with cross-rods every 3rd row for additional support of heavier ware (oversized ware/mixing bowls) as well as to promote warewashing drainage at optimal angle (hotel pans). Cross-rods also create stable support for compartmentalized trays to orient upright through dishmachine.



DISHMACHINE LENGTH QUICK REFERENCE GUIDE

Space Available	Model	Load Section	Center Section	Unload Section	Has Blower Dryer	*Total Length
		Load Platform, 3' Prewash, ASR (if equipped)	3' Wash Tank, 3' Rinse Tank (if equipped), 2' Dual Rinse	Control Box, Blower Dryer (if equipped), Unload Platform		
18'	Shorty	5' 10"	5'	6' 5"	NO	17' 5"
19'	Shorty	6' 10"	5'	6' 5"	NO	18' 5"
20'	Shorty	7' 10"	5'	6' 5"	NO	19' 5"
	Shorty	5' 10"	5'	8' 5"	YES	19' 5"
21'	Shorty	6' 10"	5'	8' 5"	YES	20' 4"
22'	Shorty	5' 10"	5'	10'	YES	21'
	Shorty	7' 10"	5'	8' 5"	YES	21' 4"
	Shorty	6' 10"	5'	10'	YES	21' 11"

*Total length and section lengths are approximates. Refer to drawing for final length.

**Automatic Soil Removal (ASR) does not add length to the machine.