



PARTS MANUAL

LOAD KING

10' DUMP BODY

# TABLE OF CONTENTS

REVISION HISTORY .....	3
INTRODUCTION.....	4
DEFINITIONS USED IN THIS MANUAL .....	5
SAFETY WARNINGS .....	5
LOAD KING DUMP BODY LABELS .....	6
ASSEMBLY: DUMP BODY KIT .....	9
DMP00220 WELDMENT: DUMP BODY, WI SPEC, TALL CAB.....	
DMP00290 WELDMENT: DUMP BODY, WI SPEC, SHORT CAB .....	
DMP00365 WELDMENT: DUMP BODY, KC SPEC, SHORT CAB.....	
DMP00370 WELDMENT: DUMP BODY, KC SPEC, TALL CAB .....	
DMP00070 SUB-ASSEMBLY, CRADLE.....	
DMP00075A SUB-ASSEMBLY, HINGE ASSEMBLY (WELD ON) .....	
DMP00162/1002245 ASSEMBLY, REAR HINGE MOUNT (BOLT ON) .....	
DMP00223 SUB-ASSEMBLY, TARDER W/ STRAIGHT ARMS .....	
DMP00193 SUB-ASSEMBLY, TARDER W/ ANGLE ARMS .....	

## REVISION HISTORY

NAME	DATE	DESCRIPTION OF CHANGE	REV.
J Ross	5/23/2018	INITIAL RELEASE	A
J Haas			B

## Company

Load King has been producing quality trailers since 1956. We are located in Elk Point, South Dakota.

Although the trailer industry is an ever-changing environment and we've seen many changes over the years, we have remained committed to the simple philosophy that we will make a reasonable profit through the designing, manufacturing, and marketing of top quality products that we can always be proud to call Load King. We have not, and will not, compromise in this area.

Quality shows in all facets of an operation, from the moment you make your first phone call for a product inquiry to the time you sell your used equipment and realize you've received top dollar on your sale. We continue to strive for excellence in every area and never quit trying to improve. We have earned our reputation believing that quality is value and value sells products.

Through our shared Engineering, Marketing and Sales teams, Load King and Custom Truck One Source bring that tradition of quality and value to another market with the Load King Dump Body.


## About Custom Truck One Source

Beginning in February of 2015, three family-owned and operated companies (Custom Truck & Equipment, Utility Fleet Sales and Forestry Equipment of VA) joined together to form what is now Custom Truck One Source. Shortly after its inception, UCO Equipment became a part of the CTOS family along with TNT Equipment six months later. In December 2015, CTOS welcomed its sixth company under its brand, Load King, a leading manufacturer of high-quality and customizable trailers.

The announcement of the partnership represented the platform's collective commitment to the continued growth and dominance of each legacy company's individual offerings, now compounded to leverage the expertise of the team and, ultimately, better serve loyal CTOS customers all over the world. CTOS will build upon the market positions of each legacy company, while serving as a single source supplier of specialty equipment and services for the utility and heavy equipment industries. The utility and heavy equipment platform collectively offers sales, rentals, parts and after market services, remanufacturing, customized equipment and transportation.


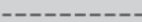
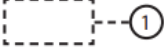

## Definitions Used in this Manual

The following table describes text and symbols used to highlight important information.

Signal Word	Symbol	Explanation
WARNING		WARNING IS USED TO ALERT READERS ABOUT THE POTENTIAL FOR SERIOUS INJURY OR DEATH OR SERIOUS DAMAGE TO EQUIPMENT.

Table—1

The following table describes line types in the parts drawings.

LINE FONTS		DESCRIPTION
	SOLID LINE FONT	INDICATES PART OUTLINES IN THE DRAWINGS.
	DASHED LINE FONT	INDICATES HOW TWO OR MORE PARTS ASSEMBLE.
	KEYED BOX/BRACKET	INDICATES PARTS INSIDE OF A SUB ASSEMBLY.
	DASHED KEY	INDICATES PART NOT VISIBLE OR HIDDEN IN VIEW

Table—2

## SAFETY WARNINGS

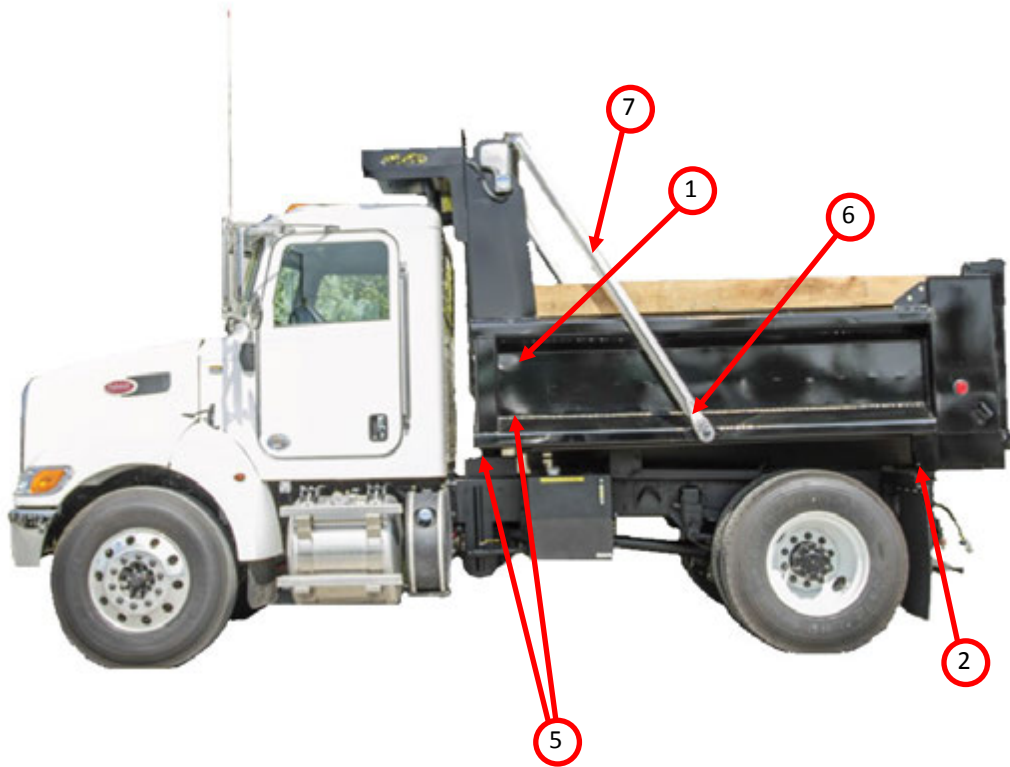


**WARNING: All repairs, adjustments and maintenance not described in the Operator's Manual must be performed by Qualified Service Personnel.**



**WARNING: Hydraulic system components can contain high pressures of which, if suddenly or unexpectedly released, can cause serious injury or death by direct contact with the pressurized oil or by contact with moving machine components.**

# LOAD KING DUMP BODY LABELS





1



2



3



4



5



**LOAD KING DUMP BODY LABELS**

---



6

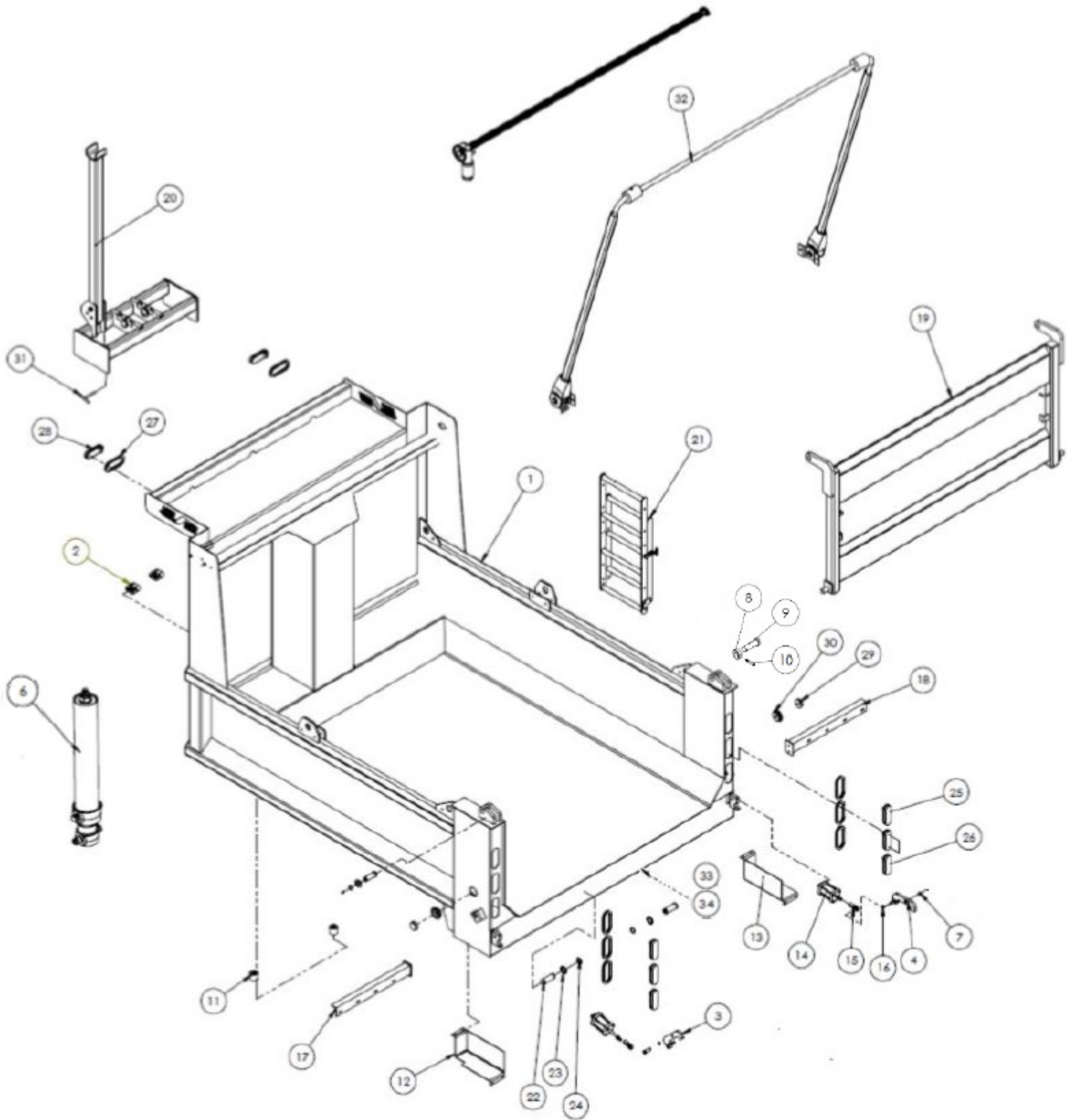


7

ITEM NO.	PART NUMBER	DESCRIPTION	QTY.
1	DMP00194-5	LARGE LOAD KING LOGO DECAL	3
2	DMP00194-4	GREASE POINT DECAL	8
3	DMP00194-3	CAUTION - PINCH POINT DECAL	2
4	DMP00194-2	CAUTION DECAL	2
5	DMP00194-1	DANGER DECAL	3
6	DMP00195-7	CTOS LOGO DECAL	2
7	DMP00194-6	SMALL LOAD KING LOGO DECAL	2



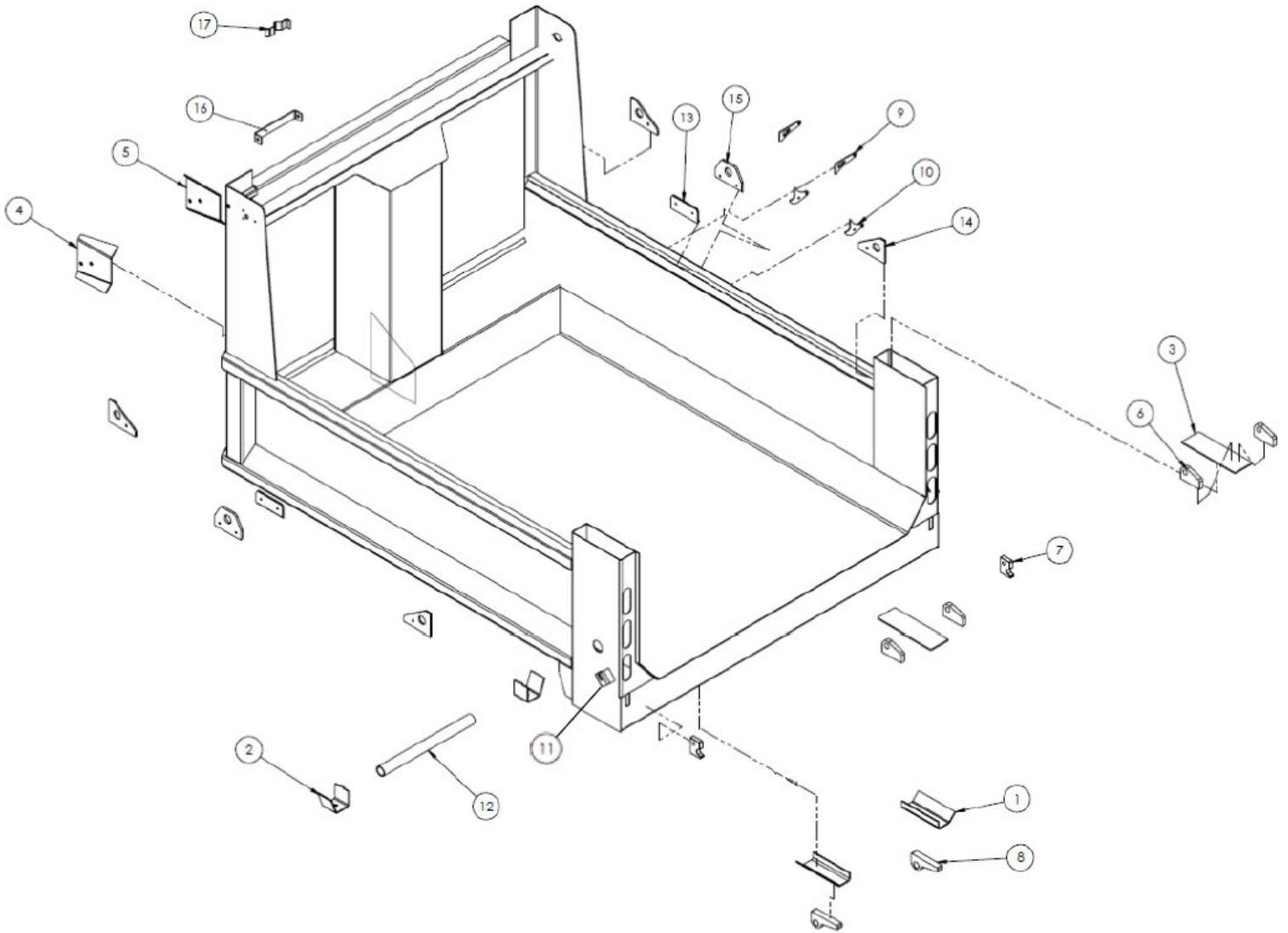
# ASSEMBLY: DUMP BODY KIT



**ASSEMBLY: DUMP BODY KIT**

ITEM NO.	PART NUMBER	DESCRIPTION	QTY.
1	DMP00220/DMP00290/ DMP00365/DMP00370	WELDMENT, 10FT BODY	1
2	DMP00132	CYLINDER BUSHING	2
3	DMP00065	TAILGATE HOOK PLT WELD LH	1
4	DMP00080	TAILGATE HOOK PLT WELD RH	1
5	DMP1001	HARNESS, 10' DUMP BODY	1
6	DMP00119	LIFT CYLINDER	1
7	DMP01867	REPLACEMENT LATCH PIN KIT - 10'	2
8	DMP01819	TAILGATE PIN	2
9	DMP01818	TAILGATE PIN COLLAR	2
10	91257A634	HIGH-STRENGTH GRADE 8 STEEL CAP SCREW	2
11	DMP00082	BED BUMPER	2
12	DMP00094	TAILGATE CYL COVER LH	1
13	DMP00096	TAILGATE CYL COVER RH	1
14	DMP00086	AIR CYL, 2"BORE X 3"STROKE	2
15	DMP00112	TAILATE LATCH ROD END	2
16	95030A190	SLOTTED LOCK NUT	2
17	DMP00140	WELDMENT, MUD FLAP BAR LH	1
18	DMP00145	WELDMENT, MUD FLAP BAR RH	1
19	DMP00260/DMP00250	TAILGATE WELDMENT W/O CHUTE/ TAILGATE WELDMENT W/ CHUTE	1
20	DMP00070	CYLINDER CRADLE ASSEMBLY	1
21	DMP00300/DMP00380	FOLDING AL LADDER ASSY 4 STEP/ FOLDING AL LADDER ASSY 3 STEP	1
22		SEE HINGE ASSY DWGS (PG. 12/13)	2
23		SEE HINGE ASSY DWGS (PG. 12/13)	2
24		SEE HINGE ASSY DWGS (PG. 12/13)	2
25	DMP00226	STOP TAIL TURN, 6" OVAL	4
26	DMP00230	TAILLIGHT WHITE 6" OVAL, STROBE	2
27	DMP00227	TAIL LIGHT GROMMET, 6" OVAL	8
28	DMP00228/DMP00357	CAB GUARD, AMBER CLEARANCE 6" OVAL (STROBE)/(NON STROBE)	2
29	DMP00229	CLEARNACE, MARKER, 2.5"	2
30	DMP00229-A	2.5" ROUND LIGHT GROMMET	2
31	DMP00081	T-HANDLE BOLT W/ COLLAR	1
32	DMP00223/DMP00193	TARPING SYSTEM	1
33	DMP00164	BODY HINGE	2
34	DMP00075A/DMP00162	SEE HINGE ASSY DWGS (PG. 12/13)	1

**DMP00220 WELDMENT: DUMP BODY, WI SPEC, TALL CAB/ DMP00290 WELDMENT: DUMP BODY, WI SPEC, SHORT CAB**



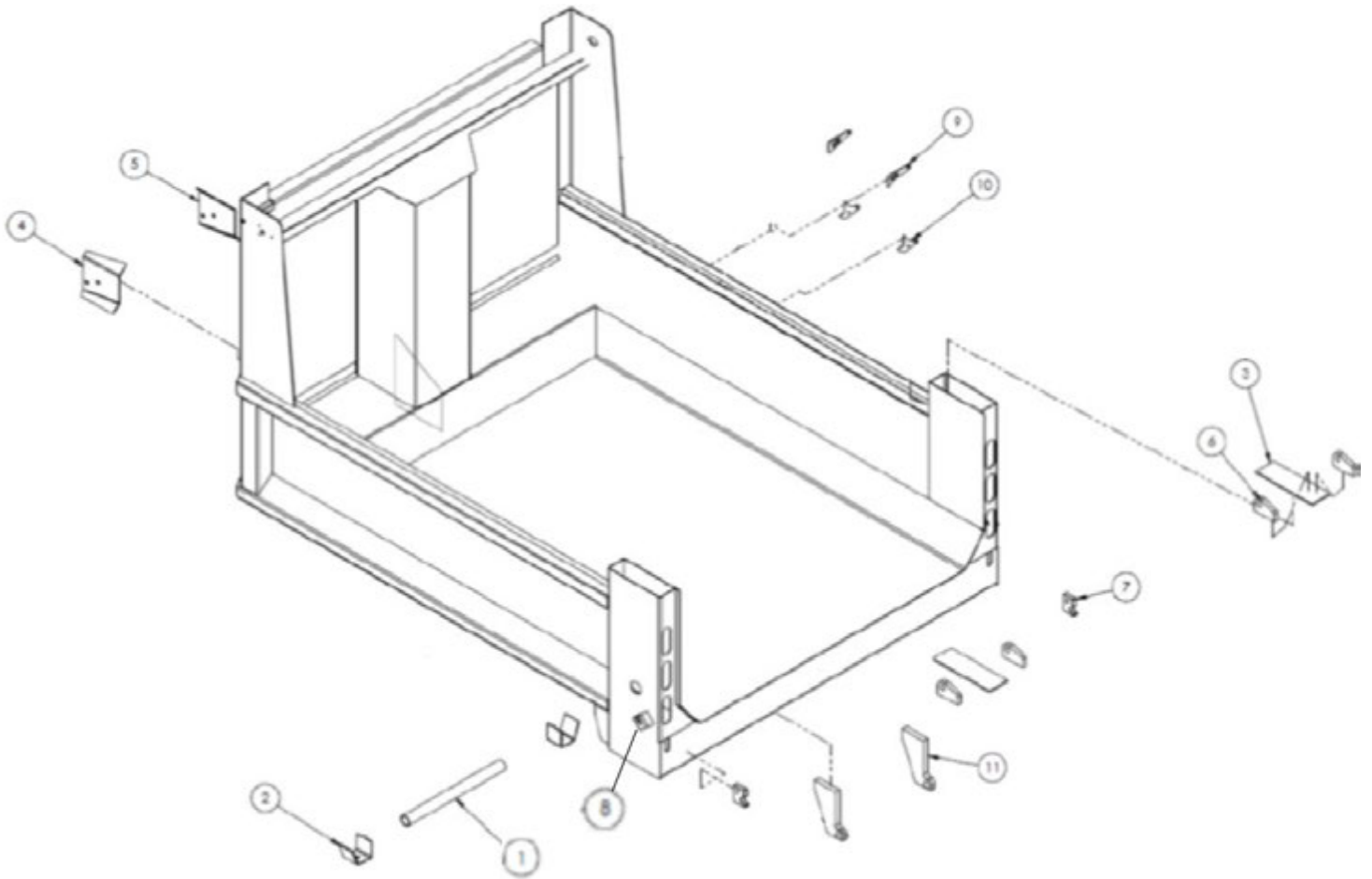
**DMP00220 WELDMENT: DUMP BODY, WI SPEC, TALL CAB/ DMP00290 WELDMENT: DUMP BODY, WI SPEC, SHORT CAB**

---

ITEM NO.	PART NUMBER	DESCRIPTION	QTY.
1	DMP00013	HINGE SILL MOUNT	2
2	DMP00017	BODY BUMPER MOUNT	2
3	DMP00041	HINGE SUPPORT MOUNT CAP	2
4	DMP00043	CYL MOUNT RH	1
5	DMP00044	CYL MOUNT LH	1
6	DMP00050	HINGE PLATE	4
7	DMP00055	TAILGATE LATCH PLT	2
8	DMP00078	HINGE PLT	2
9	DMP00097	UPPER LADDER MNT	2
10	DMP00123	LOWER LADDER MNT	2
11	DMP00113	CHAIN BRACKET	4
12	DMP00186	KICKSTAND SUPPORT TUBE	1
13	DMP00187	INSIDE CTR WOOD BRACKET	2
14	DMP00212	REAR WOOD BRACKET SS	4
15	DMP00213	CTR WOOD BRACKET SS	2
16	DMP00635	LOWER SHOVEL BRACKET	1
17	DMP00636	UPPER SHOVEL BRACKET	1

**DMP00365 WELDMENT: DUMP BODY, KC SPEC, SHORT CAB/ DMP00370 WELDMENT: DUMP BODY, KC SPEC, TALL CAB**

---

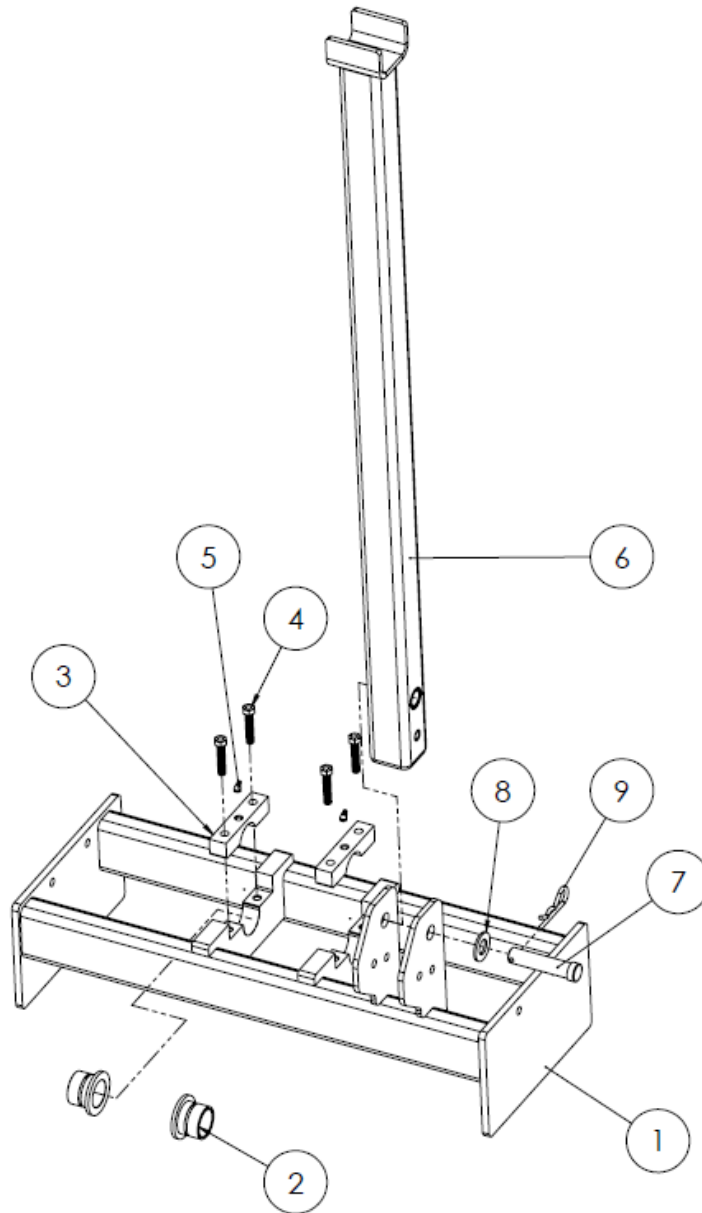


**DMP00365 WELDMENT: DUMP BODY, KC SPEC, SHORT CAB/ DMP00370 WELDMENT: DUMF  
BODY, KC SPEC, TALL CAB**

---

ITEM NO.	PART NUMBER	DESCRIPTION	QTY.
1	DMP00186	KICKSTAND SUPPORT TUBE	1
2	DMP00017	BODY BUMPER MOUNT	2
3	DMP00041	HINGE SUPPORT MOUNT CAP	2
4	DMP00043	CYL MOUNT RH	1
5	DMP00044	CYL MOUNT LH	1
6	DMP00050	HINGE PLATE	4
7	DMP00055	TAILGATE LATCH PLT	2
8	DMP00113	CHAIN BRACKET	4
9	DMP00097	UPPER LADDER MNT	2
10	DMP00123	LOWER LADDER MNT	2
11	DMP00164	BODY HINGE	2

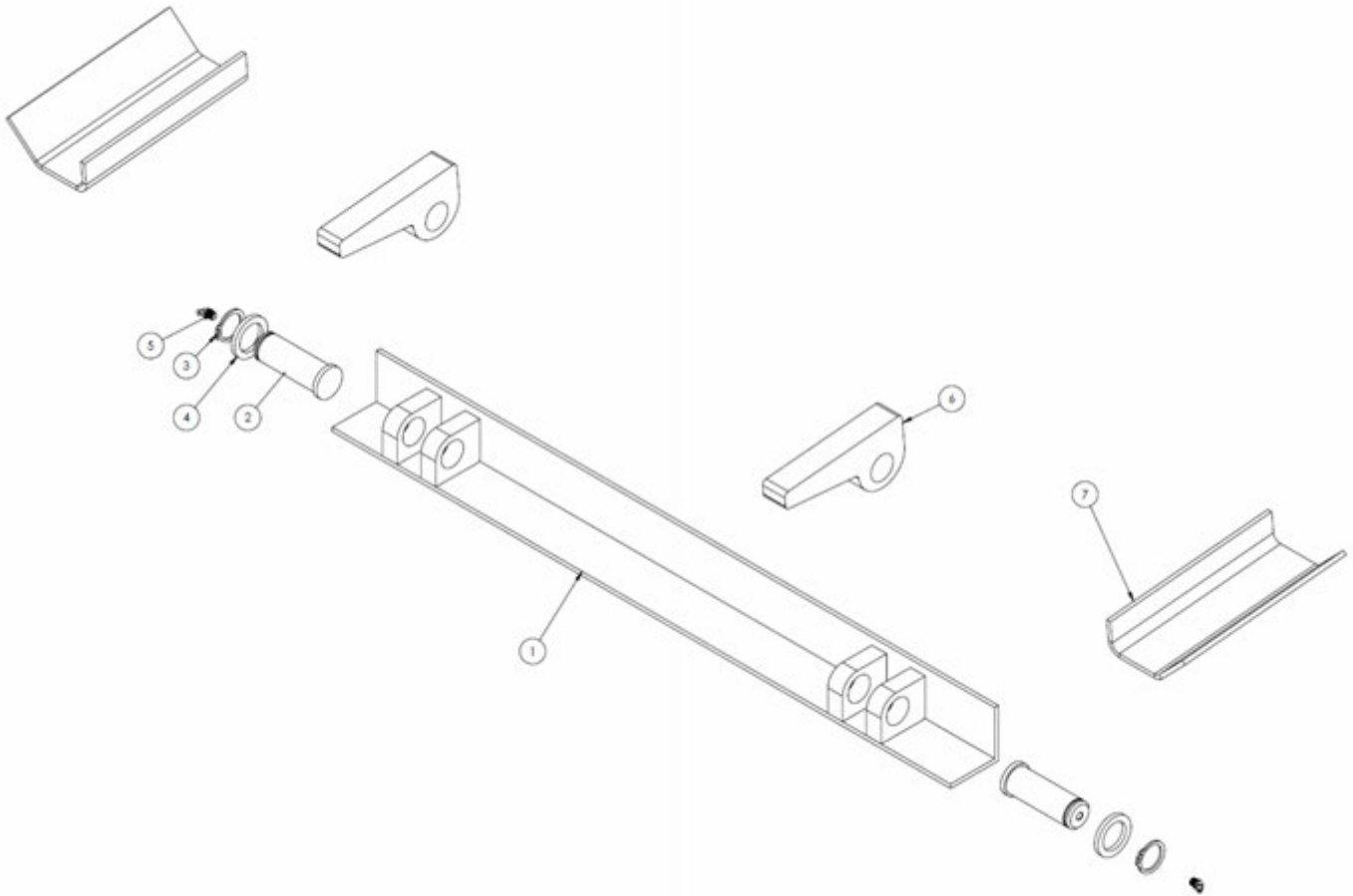
**DMP00070 SUB-ASSEMBLY, CRADLE**



ITEM NO.	PART NUMBER	DESCRIPTION	QTY.
1	DMP00071	CRADLE WELDMENT	1
2	7815K74	FLANGED SLEEVE BEARING	2
3	DMP00068	CYL ROD MTG CAP	2
4	92620A722	HHCS 1/2-13 x 2 1/2 LG	4
5	2309K95	STEEL GREASE FITTING 1/8 NPT	2
6	DMP00195	WELDMENT, KICKSTAND TUBE	1
7	DMP01262	KICKSTAND PIN	1
8	98023A038	KICKSTAND WASHER	1
9	98335A095	STEEL REUSABLE COTTER PIN	1



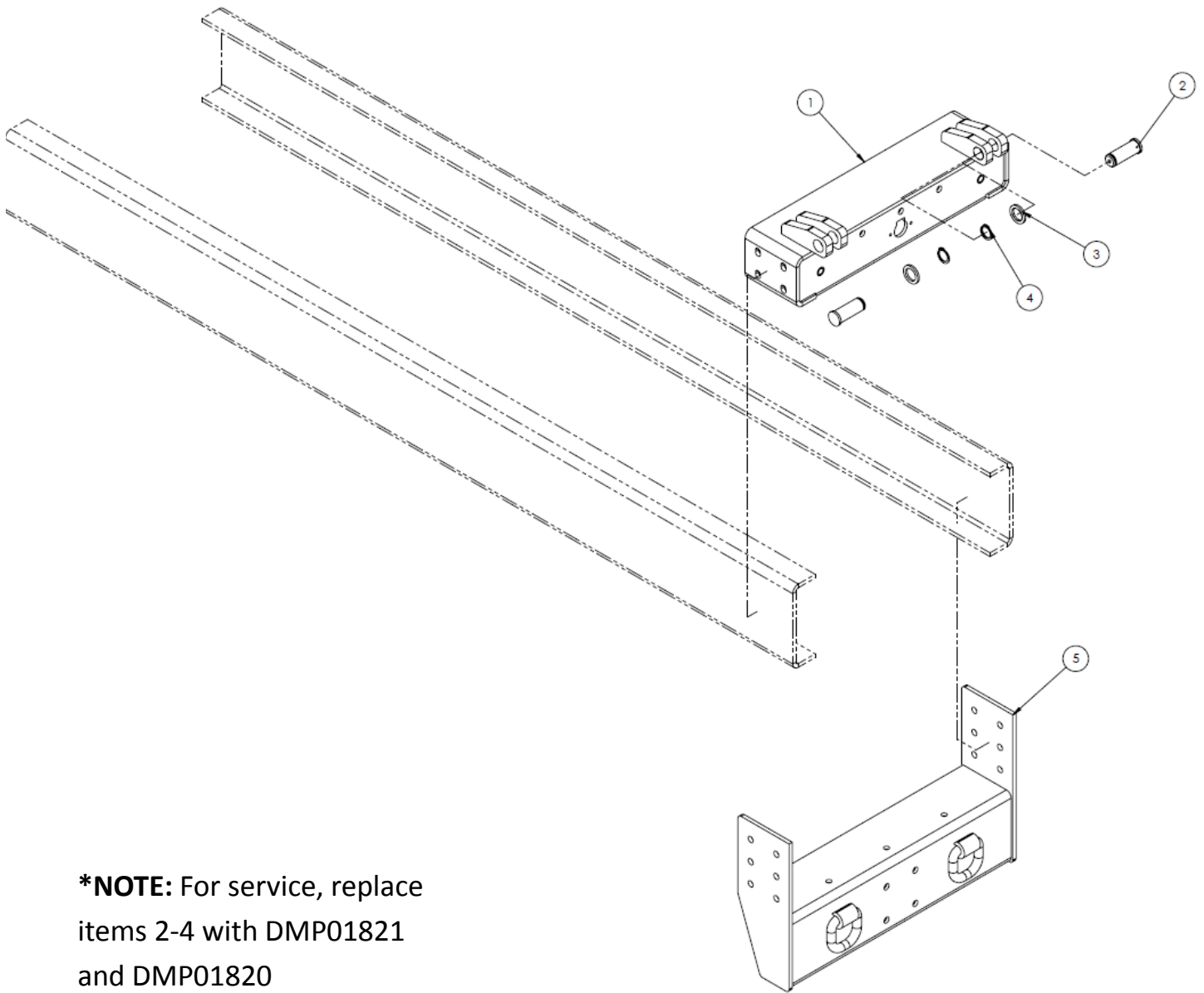
## DMP00075A SUB-ASSEMBLY, HINGE ASSEMBLY (WELD ON)



ITEM NO.	PART NUMBER	DESCRIPTION	QTY.
1	DMP00159	HINGE ASSEMBLY	1
2	DMP00079	HINGE PIN	2
3	98585A133	EXT RETAINING RING 1-5	2
4	DMP00069	HINGE SPACER	2
5	2309K95	GREASE FITTING	2
6	DMP00078	HINGE PLT	2
7	DMP00013	HINGE SILL MOUNT	2

NOTE: These parts provided for weld-on mounting applications only.

**DMP00162/1002245 ASSEMBLY, REAR HINGE MOUNT (BOLT ON)**

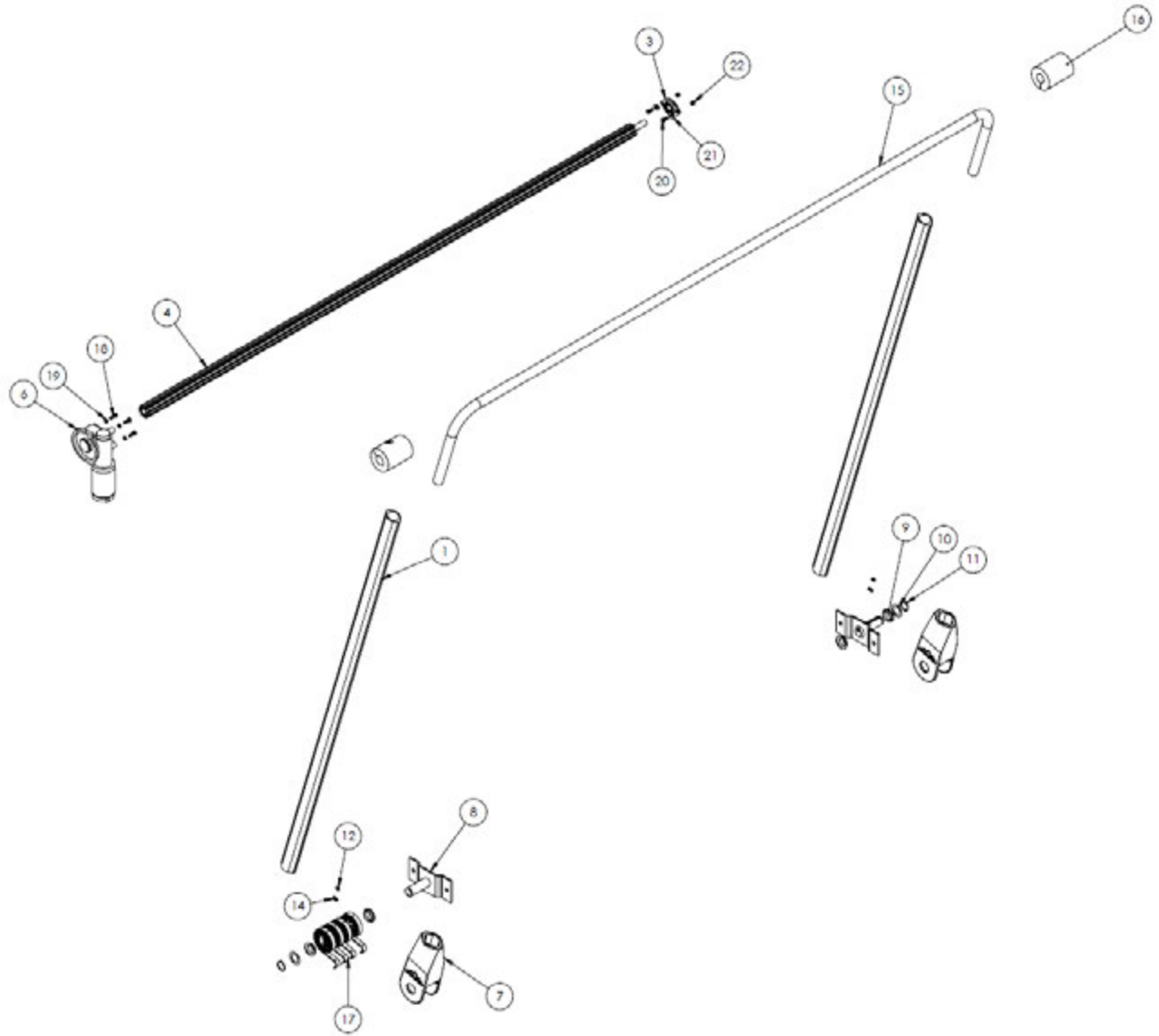


**\*NOTE:** For service, replace items 2-4 with DMP01821 and DMP01820

ITEM NO.	PART NUMBER	DESCRIPTION	QTY.
1	DMP00162	WELDMENT, BED PIVOT	1
2*	DMP00167	HINGE PIN	2
3*	DMP00069	HINGE SPACER	2
4*	98585A133	EXT RETAINING RING 1-5	2
5	1002245	PINTLE MOUNT WELDMENT 30T	1

NOTE: These parts provided for bolt-on mounting applications only.

DMP00223 SUB-ASSY, TARDER W/ STRAIGHT ARMS



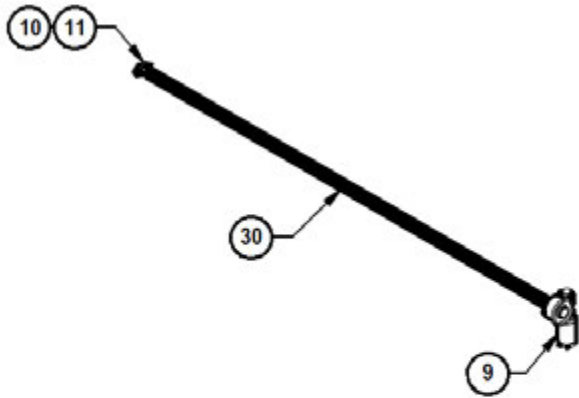
**DMP00223 SUB-ASSY, TARP W/ STRAIGHT ARMS (Cont.)**

---

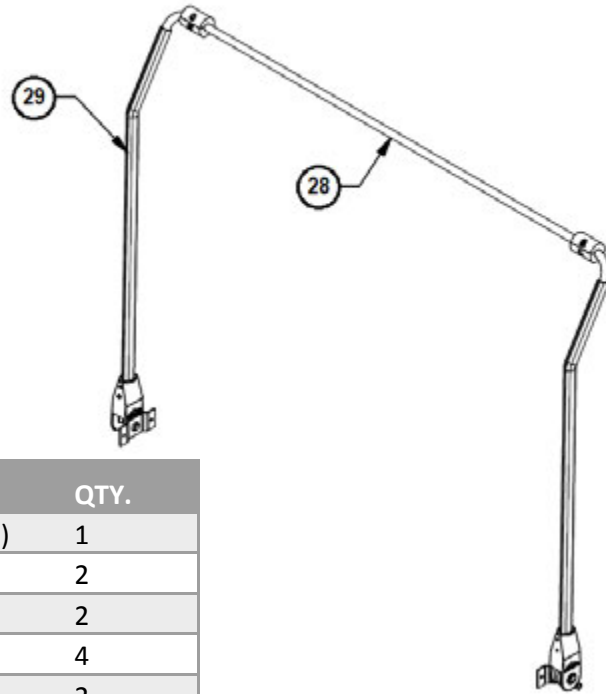
ITEM NO.	PART NUMBER	DESCRIPTION	QTY.
1	DMP00310	UPRIGHT	2
3	DMP00311	BEARING, ABF-013, 0.75"	1
4	DMP00312	TARP SPOOL - OUTER	1
5	DMP00313	TARP SPOOL - INNER	1
6	DMP00314	MOTOR, 80 RPM, 150 LB-IN TQ	1
7	DMP00315	CLEVIS	2
8	DMP00316	HINGE PIN	2
9	DMP00317	BUSHING	4
10	DMP00318	WASHER	2
11	DMP00319	SPLIT RING	2
12	DMP00320	.375-16 X .5"CSS	2
14	DMP00321	SET SCREW	2
15	DMP00322	CROSS MEMBER	1
16	DMP00323	RUBBER IMPACT CUSHION	2
17	DMP00324	CLOCK SPRING, 1.25"ID X .625"	4
18	DMP00325	.3125"-18 X .875"HHCS, Gr. 8, ZC	3
19	DMP00326	0.3125 LOCK WASHER, ZC	3
20	DMP00326B	0.3125-18 X 34 HHCS, Gr. 8, ZC	2
21	DMP00327	5/16" FLAT WASHER	2
22	DMP00328	5/16-18"LOCK NUT, ZC	2

**DMP00193 SUB-ASSY, TARP W/ ANGLE ARMS (Cont.)**

AXLE & MOTOR ASSEMBLY



ARM & CROSSOVER ASSEMBLY



ITEM NO.	PART NUMBER	DESCRIPTION	QTY.
1	DMP00329	RUBBER DONUT (SET OF 2)	1
2	DMP00330	HOSE CLAMP	2
3	DMP00331	3/8" X 2-1/2" HHCS	2
4	DMP00332	3/8" FLAT WASHER	4
5	DMP00333	3/8" LOCK NUT	2
6	DMP00326	5/16" X 3/4 HHCS, Gr. 8	2
7	DMP00334	RUBBER COATED CLAMP	7
8	DMP00335	RUBBER GROMMET	3
9	DMP00314	1.1HP. 60:1, MOTOR ASSY	1
10	DMP00313	STUB SHAFT 5.5"	1
11	DMP00311	BEARING ABF-013 3/4"	1
12	DMP00337	3/8" 3/4 HHCS	5
13	DMP00327	5/16" FLAT WASHER	11
14	DMP00338	5/16" X 2-1/2" HHCS Gr. 8	2
15	DMP00328	5/16" LOCK NUT	4
16	DMP00339	1/4" X 1" TEK	7
17	DMP00324	SIDE MOUNT SPRING	8
18	DMP00316	4-SPRING BRACKET	2
19	DMP00321	3/8" X 3/4" SS SET SCREW	2
20	DMP00320	3/8" X 1/2" SS SET SCREW	2
21	DMP00340	ARM CONNECTOR, CAST	2
22	DMP00319	SNAP RING	2
23	DMP00318	FLAT WASHER - 1-7/8"OD	2
24	DMP00317	BUSHING FOR CAST	4
25	DMP00341	1/2" USS FLAT WASHER	8
26	DMP00342	1/2" X 1-1/2" HHCS	4
27	DMP00343	1/2" NYLOCK NUT	4
28	DMP00322	CROSS MEMBER	1
29	DMP00344	6' ARM, 16" BEND	2
30	DMP00312	TARP SPOOL-OUTER	1



Load King

PO Box 427

Elk Point, South Dakota, USA 57025-0427

Toll Free: (888) 264-5522