



Project _____
 AIA # _____ SIS # _____
 Item # _____ Quantity _____ C.S.I. Section 114000

CUL CHEMICAL SANITIZING Undercounter



MODELS

- CUL** Chemical sanitizing rinse

STANDARD FEATURES

- + 24 racks per hour
- + .84 gallons of water per rack
- + Chemical sanitizing
- + Top-mounted user interface with digital temperature display
- + 2-minute cycle with optional extended cycle
- + 14.46" door opening
- + Snap-in, revolving upper and lower anti-clogging wash & rinse arm; low-profile, single-arm design
- + Removable, 3-part stainless steel scrap screen
- + Soft start
- + Automatic pumped drain
- + Automatic fill
- + Service diagnostics with error notifications
- + Delime notification and cycle
- + Chemical pumps standard
- + Sanitizer sensing indicator standard
- + Electric tank heat
- + Two dishracks – one peg and one combination type
- + ENERGY STAR® certified

CUL CHEMICAL SANITIZING



SPECIFIER STATEMENT

Specified unit will be NSF rated, ENERGY STAR® certified **Centerline™ by Hobart** chemical sanitizing undercounter dishwasher. Features soft start, two selectable cycles, one standard 2-minute cycle with optional extended cycle (factory set at 240 seconds); .84 gallons per rack, LED temperature and operator display, service diagnostics, detergent, rinse aid and sanitizer pumps. Constructed of stainless steel.

1 year parts and labor warranty.

STANDARD VOLTAGE

- + 120/60/1

OPTIONS & ACCESSORIES (Available at extra cost)

- Upper/lower stainless steel wash and rinse arm kit
- Chemical sensing indicators (low chemical alert)
- Stainless steel stand with rack storage and telescoping legs (legs in provide 15⁵/₁₆" of additional height; legs out provide 17⁷/₈" of additional height)
- Peg rack
- Combination rack
- Power cord kits

Approved by _____ Date _____ Approved by _____ Date _____

LEGEND

| Electrical Connections | |
|------------------------|---|
| E1 | Electrical connection: 1-3/8" dia. hole for 1" trade size conduit; 1-5/8" AFF. |
| E2 | Electrical connection: Sanitizer, detergent and rinse aid (optional); approximately 1-5/8" AFF. |
| Plumbing Connections | |
| P1 | Single fill and rinse connection: 3/4" female garden hose fitting on 6' long hose supplied with machine; 120°F water minimum for CUL 140°F recommended. |
| P2 | Drain connection: 19mm barb fitting with 6' long hose supplied with machine. |
| P3 | Chemical supply: Detergent, sanitizer and rinse aid; approximately 1-5/8" AFF. 5-1/4" long tubing supplied with machine. |

WARNING: Plumbing and electrical connections should be made by qualified personnel who will observe all the applicable plumbing, sanitary, safety codes and National Electrical Code.

SPECIFICATIONS

Capacities

| | |
|-------------------------|-----|
| Cycle Time (seconds) | 120 |
| Racks per Hour | 24 |
| Tank Capacity – Gallons | 5.3 |

Motor Horsepower

| | |
|-------|------|
| Wash | 0.62 |
| Rinse | 0.20 |

Water Consumption

| | |
|-------------------------------------|------|
| U.S. Gallons per Hour (maximum use) | 20.2 |
| U.S. Gallons per Rack (maximum use) | 0.84 |
| Peak Drain Flow – U.S. Gallons | 2.8 |

Temperatures °F

| | |
|--|-------|
| Incoming Water Temperature (minimum recommended) | 120°F |
|--|-------|

Heating

| | |
|--------------------------|-----|
| Tank Heat, electric (kW) | 2.0 |
|--------------------------|-----|

Standard 20" x 20" (508 x 508) Rack Complement

| | |
|------|---|
| Flat | 1 |
| Peg | 1 |

Shipping Weight (approximate)..... 148 lbs.

Crated Dimensions.....27¼"W x 26½"L x 38¾"H

| Heat Output, BTU/Hour | | |
|-----------------------|--------|----------|
| Volts | Latent | Sensible |
| 120 | 1,200 | 500 |

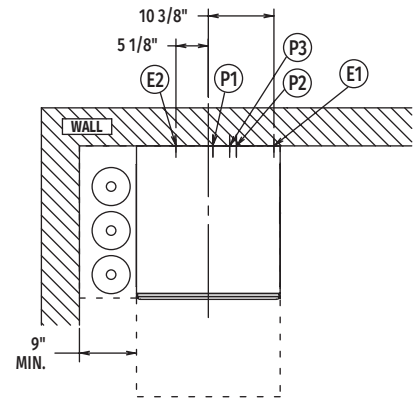
(E1) STANDARD ELECTRICAL OPTIONS

| Voltage | Rated Amps | Minimum Supply Circuit Ampacity | Maximum Protective Device |
|----------|------------|---------------------------------|---------------------------|
| 120/60/1 | 17.5 | 20 | 20 |

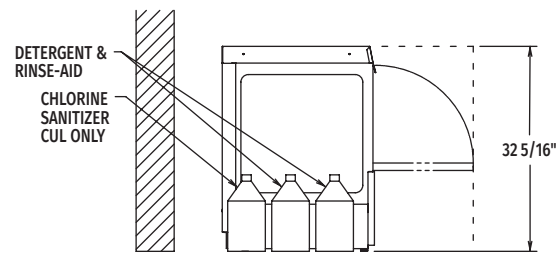
NOTE: For supply connections, use copper wire only rated at 90°C minimum.

Accessory cord kit available for all models.

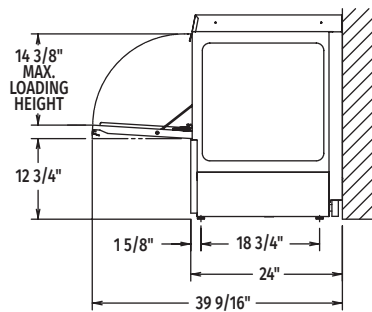
Dishmachine not provided with internal GFCI protection.



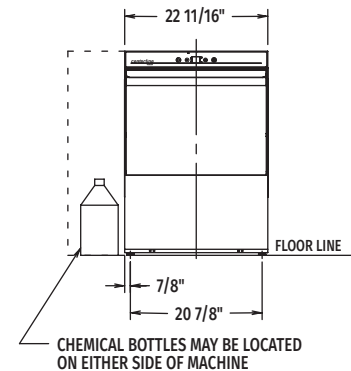
Top View



Left Side View



Right Side View



Front View

MODEL:
CUL
00-562543
REV D