



CATALOG OF REPLACEMENT PARTS



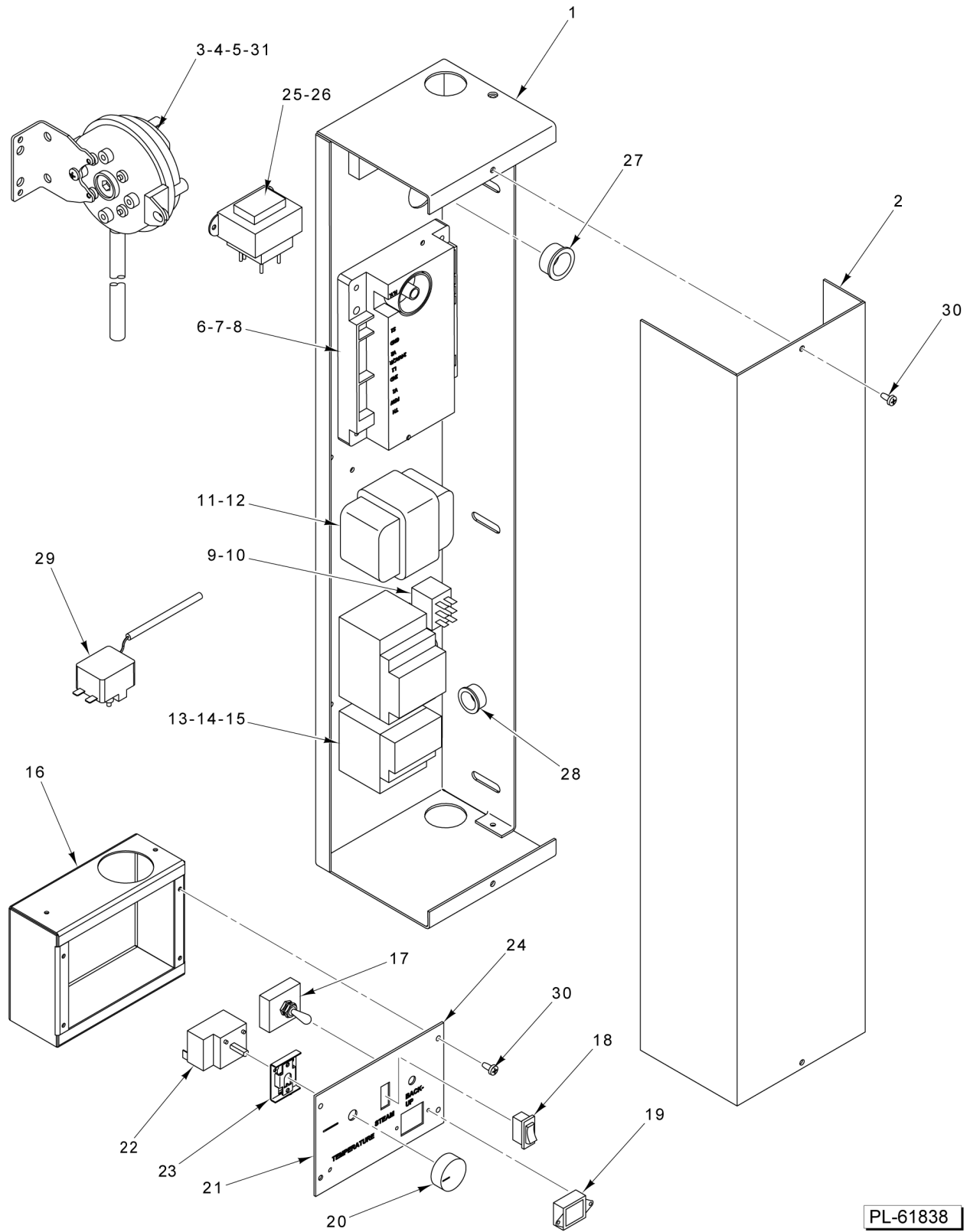
OV500G1-EE GAS RACK OVEN

ML-132583
ML-132645

OV500G1-EE
OV500G1-EE

Table of Contents

5	COMPONENT BOX
7	CONTROL CABINET, DOOR, AND CONTROLLER
9	CABINET
11	HOOD
13	LOADING DOOR
15	BLOWER, PANELS, AND VENTS
17	DRAFT INDUCER
19	CEILING AND SHUTTERS
21	LIFTER
23	ROTATOR
25	CARRIER
27	STEAMER ASSEMBLY
29	GAS BURNER AND HEAT CIRCULATION
31	GAS SUPPLY PLUMBING
33	EXTERIOR WATER SUPPLY

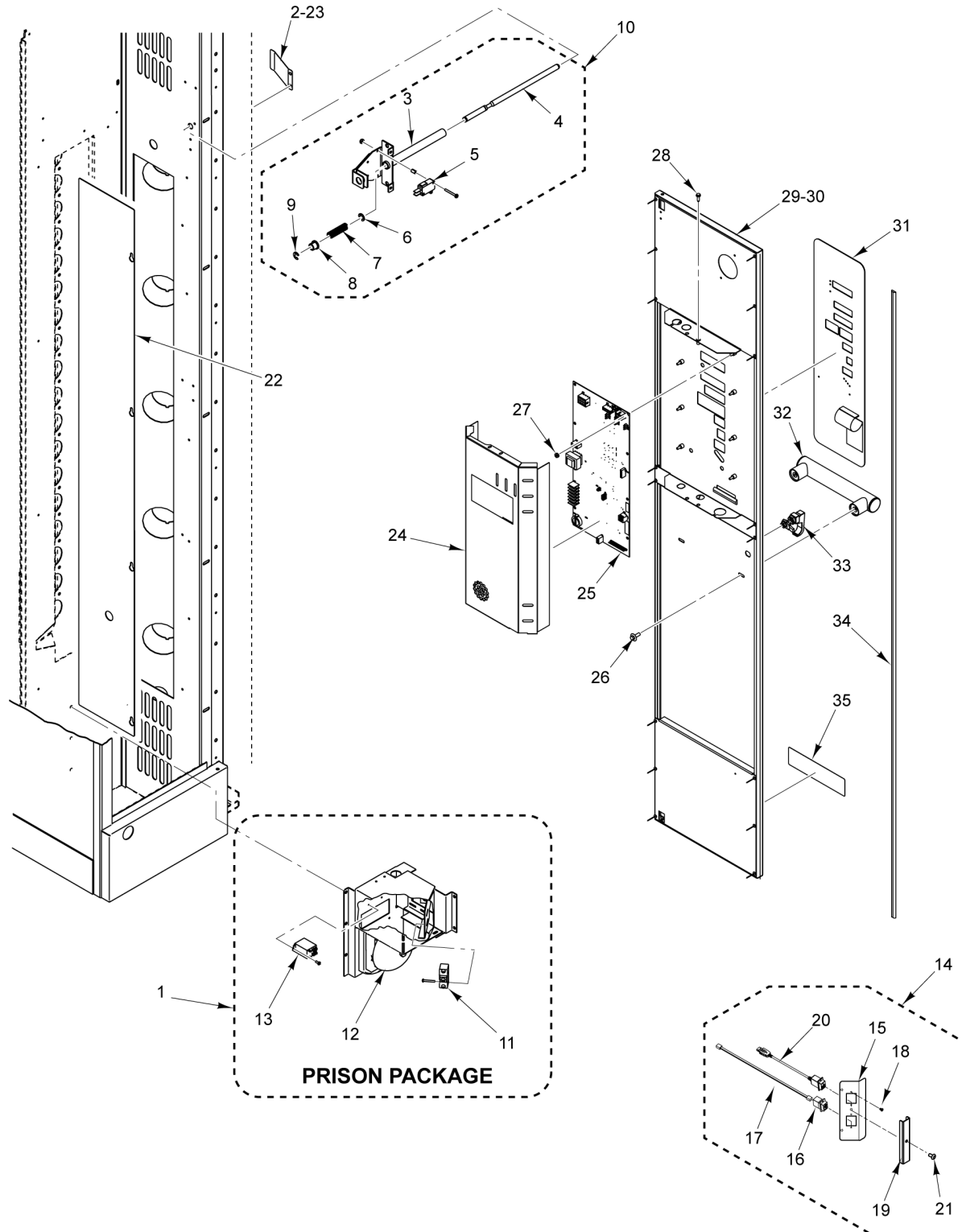


PL-61838

COMPONENT BOX

COMPONENT BOX

ILLUS. PL-61838	PART NO.	NAME OF PART	AMT.
1	01-1M5439-00001	Box - Component Panel.....	1
2	01-1M5440-00001	Cover - Component Panel.....	1
3	01-1000V6-00387	Switch - Pressure (Starting 11/01/24).....	1
4	01-1M7223-00002	Tube - Pressure Switch (Starting 11/01/24).....	2
5	01-1M7222-00002	Pressure Switch Assy. (Incls. Items 3 & 4) (Starting 11/01/24).....	2
6	01-1000V9-00204	Module - Ignition.....	1
7	01-100V10-00331	Cable - Suppression (40 In.).....	1
8	01-1000V4-00542	Screw - Phil. Hd. 8-18 x 3/4 (Zinc).....	2
9	01-1000V6-00271	Relay - D.P.D.T. (1/2 Hp., 120 VAC) (Fan).....	1
10	01-1000V4-00515	Screw - Sheet Metal, Pan Hd. 6-32 x 3/8 (Zinc).....	2
11	01-100V10-00374	Transformer - Ignition (30 VA., 120-24 V.).....	1
12	01-1000V4-00442	Screw Pan Hd. 8-32 x 1/2 (Zinc).....	4
13	01-1M7548-00001	Kit - Contactor Overload Assy. (4-6 Amp.) (208-240 V.) (3 Ph.).....	1
14	01-1M7537-00001	Contactor - Overload Assy. (9-13 Amp.) (208-240 V.) (1 Ph.).....	1
15	01-1M7549-00001	Kit - Contactor Overload Assy. (1.6-2.5 Amp.) (380-415/440-415 V.) (3 Ph.).....	1
16	01-1M5493-00001	Box - Back-up Controls.....	1
17	01-1000V6-00220	Switch - Toggle 4 PDT.....	1
18	01-1000V6-00221	Switch - MOM Transfer.....	1
19	01-1000V6-00070	Relay - D.P.D.T. (1/2 Hp., 120 VAC) (Back-Up Controls).....	1
20	01-100V18-00173	Knob - Thermostat (Back-Up Controls).....	1
21	01-1M5084-00001	Plate - Back-Up Control ID.....	1
22	01-1000V6-00450	Thermostat W/ Compression Fitting (Back-Up Controls).....	1
23	01-1M5894-00001	Bracket - Back-Up.....	1
24	01-1M5083-00001	Back-Up Control Unit (Incls. Items 17 thru 24).....	1
25	01-100V10-00278	Transformer (5 VA) (120-24 V.).....	1
26	01-1000V4-00442	Screw Pan Hd. 8-32 x 1/2 (Zinc).....	2
27	01-1000V5-00035	Bushing - Snap (1 In.).....	1
28	01-1000V5-00233	Bushing - Snap (1-1/4 In.) (Black).....	1
29	01-1000V6-00406	Thermostat - Hi Limit.....	1
30	01-1000V4-00474	Screw 10-32 x 1/2 Hex Washer Hd. (Zinc).....	4
31	01-1M7679-00001	Kit, Replacement - Hood Pressure Switch (Before 11/01/24).....	1

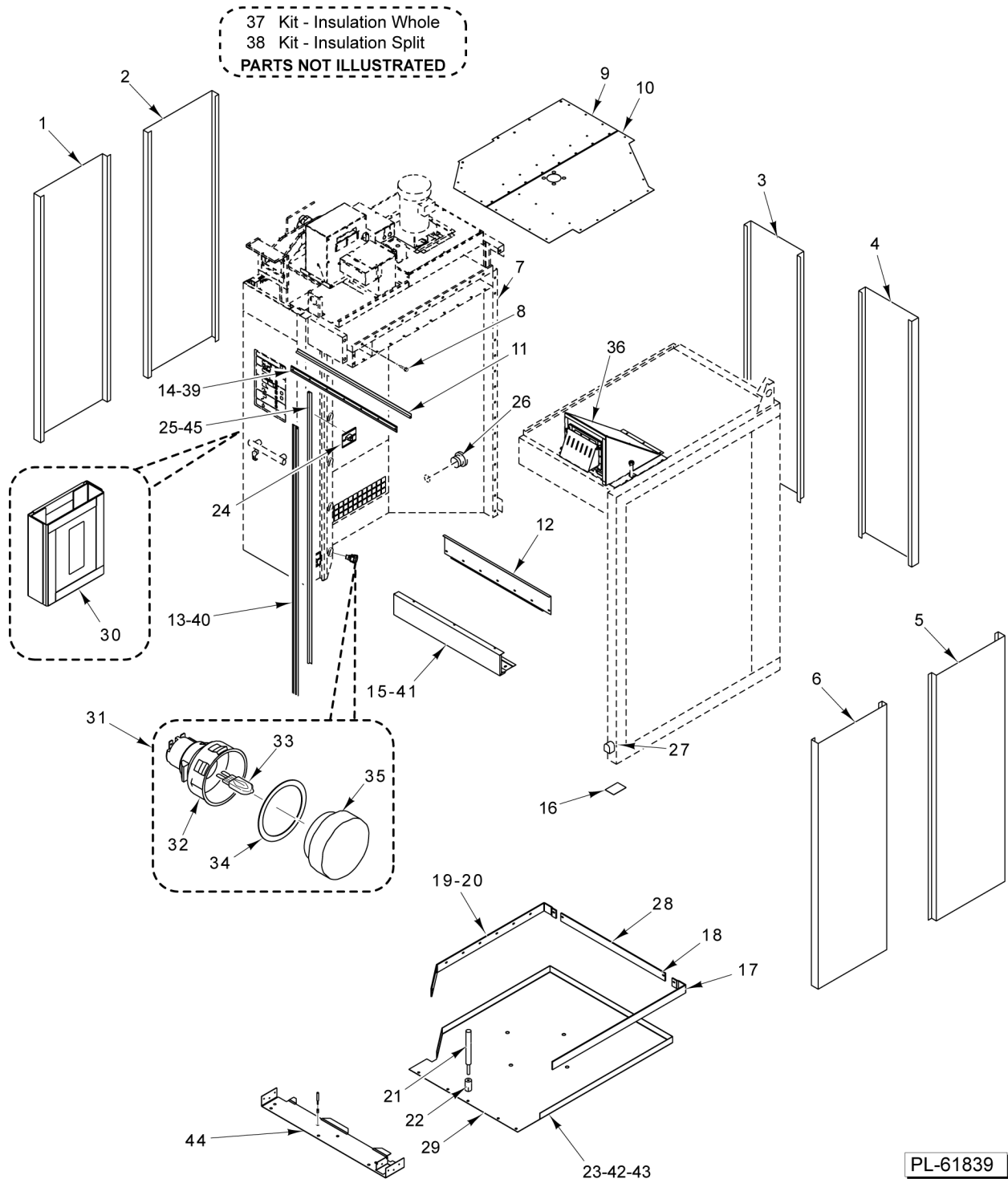


PL-61840

CONTROL CABINET, DOOR, AND CONTROLLER

CONTROL CABINET, DOOR, AND CONTROLLER

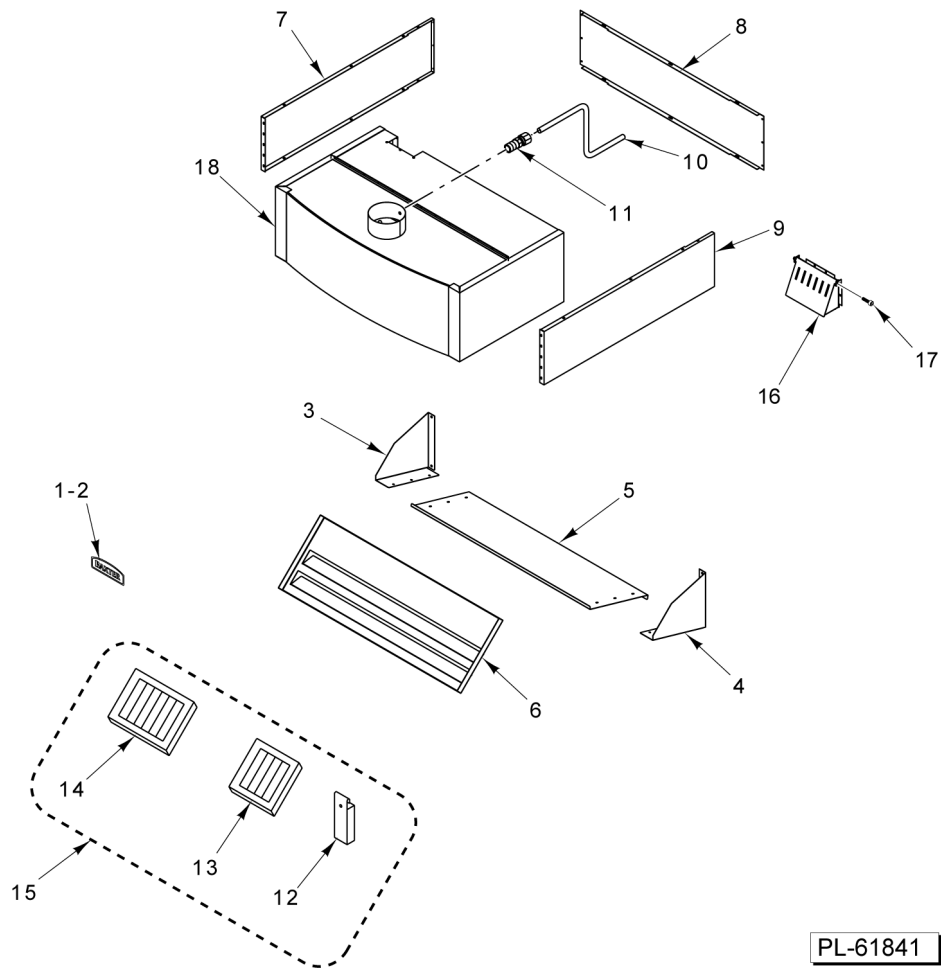
ILLUS. PL-61840	PART NO.	NAME OF PART	AMT.
1	01-1M5640-00001	Stop Assy. - Emergency (Incls. Items 11 thru 13).....	1
2	01-1M6928-00001	Plate, Actuator (Door Switch).....	1
3	01-1M6478-00001	Door Switch Assy. (Spring Loaded).....	1
4	01-1M6478-00101	Rod - Actuator.....	1
5	01-1000V6-00343	Switch - Lever SPST.....	2
6	01-1000V1-00078	Clip - E-Door.....	1
7	01-100V20-00027	Spring - Compression.....	1
8	01-1M6478-00103	Bearing (Bronze).....	1
9	01-1000V1-00078	Clip - E-Door.....	1
10	01-1M6478-00001	Door Switch Assy. (Spring Loaded).....	1
11	01-1000V4-00283	Mach. Screw 1/4-20 x 3/4 Hex Washer Hd. (SST).....	AR
12	01-1000V6-00255	Switch - Emergency Stop (Prison Package).....	1
13	01-100V10-0003B	Bell (Includes Gong & Body) (Prison Package).....	1
14	01-1M7258-00002	Communications Port Assy.....	AR
15	01-1M6216-00001	Kit - Advanced Control Box.....	1
16	01-100V10-00343	USB - Panel Mount (12" Cable).....	1
17	01-100V10-00344	Jack - RJ12 Panel Mount Coupler.....	1
18	01-100V10-00348	Cable - RJ12 Telephone (12").....	1
19	01-100V12-00037	Rivet - Push/Lock (Black Plastic).....	4
20	01-1M7258-00101	Bracket - Comm. Port.....	1
21	01-1M7258-00201	Cover - USB (Rack Oven).....	1
22	01-1M5150-00001	Cover - Light Access.....	1
23	01-1000V4-00284	Screw 10-32 x 3/4 Hex Washer Hd., Serrated Flange (SST).....	1
24	01-1M7063-00102	Cover, Control - Display.....	1
25	01-100V16-01036	Board - Control (USB Compatible).....	1
26	01-1000V4-00283	Mach. Screw 1/4-20 x 3/4 Hex Washer Hd. (SST).....	2
27	01-1000V4-00336	Nut #10-32 W/ Lockwasher (SST).....	8
28	01-1000V4-00400	Cap Screw 10-32 x 3/4 Hex Hd. (SST).....	4
29	01-1M7552-00001	Control Door Assy.....	1
30	01-1M7552-00002	Control Door Assy. (Security).....	1
31	01-100V16-00866	Label - Advanced Controls.....	1
32	01-1M6376-00005	Handle - Door.....	1
33	01-100V18-00161	Latch.....	1
34	01-100V21-00092	Gasket - PVC-Extruded ("B" Shape).....	1
35	01-100V16-0290F	Label.....	1



CABINET

ILLUS.	PART NO.	NAME OF PART	AMT.
PL-61839			
1	01-1M5672-00002	Skin - Outer.....	1
2	01-1M5672-00001	Skin - Outer.....	1
3	01-1M5672-00002	Skin - Outer.....	1
4	01-1M5672-00001	Skin - Outer.....	1
5	01-1M5672-00002	Skin - Outer.....	1
6	01-1M5672-00001	Skin - Outer.....	1
*7	01-100V21-0065A	Tape - Fiberglass (1/8 x 1) (With Adhesive).....	AR
8	01-1000V4-00283	Mach. Screw 1/4-20 x 3/4 Hex Washer Hd. (SST).....	AR
9	01-1M5460-00001	Panel - False Ceiling (LH).....	1
10	01-1M5460-00002	Panel - False Ceiling (RH).....	1
11	01-100V16-0789C	Gasket - Loading Door (Horizontal).....	1
12	01-1M6119-00103	Cover - Bottom Header (ML-132583).....	1
13	01-1M6159-00101	Retainer - Gasket Loading Door (Vertical) (ML-132583).....	2
14	01-1M6159-00103	Retainer - Gasket Horizontal (ML-132583).....	1
15	01-1M6119-00101	Header - Top Door Loading (ML-132583).....	1
16	01-1M5610-00201	Shim.....	1
17	01-1M7105-00101	Trim - Floor (Right) (Fiberglass Tape Not Included, Order Item 28).....	1
18	01-1M7105-00102	Trim - Floor (Rear) (Fiberglass Tape Not Included, Order Item 28).....	1
19	01-1M7105-00103	Trim - Floor (Left) (Fiberglass Tape Not Included, Order Item 28).....	1
20	01-1000V4-00283	Mach. Screw 1/4-20 x 3/4 Hex Washer Hd. (SST).....	AR
21	01-1000V4-0073A	Tool - Setting (1/4 In.).....	1
22	01-1000V4-00073	Anchor - Drop-In 1/4-20.....	AR
23	01-1M7230-00001	Floor - Single (One Piece) (ML-132583).....	1
24	01-1M6116-00002	Ramp Lock - Weldment.....	2
25	01-100V16-0789A	Gasket - Loading Door (Vertical) (ML-132583).....	2
26	01-100V17-00233	Pipe 6-1/2 x 1/2 (Non-Rear Drain).....	1
27	01-1M2335-00001	Wheel (For Installation).....	1
*28	01-100V21-0065A	Tape - Fiberglass (1/8 x 1) (Use With Items 17 thru 19).....	AR
29	01-1M7105-00001	Kit - Floor Trim (Single) (Incls. Items 17, 18, 19, & 28).....	1
30	01-1P2429-00003	Kit - Thermometer Holder.....	AR
31	01-1M7311-00001	Kit - Light Replacement (Incls. Items 32 thru 35).....	AR
32	01-1000V7-00057	Base - Halogen Oven Lamp.....	AR
33	01-1000V7-00054	Bulb - Halogen G9 Base.....	AR
34	01-1000V7-00059	Ring - Pressure.....	AR
35	01-1000V7-00058	Lens - Oven Lamp.....	AR
36	01-1M5624-00001	Over Pressure Vent Assy.....	1
37	01-1M7339-00001	Kit - Insulation (Whole).....	1
38	01-1M7340-00001	Kit - Insulation, Oven (Split).....	1
39	01-1M7090-00101	Retainer - Gasket (Horizontal) (ML-132645).....	1
40	01-1M7090-00202	Retainer - Gasket (ML-132645).....	2
41	01-1M7031-00101	Cover - Header (One Piece Header Cover) (ML-132645).....	1
42	01-1M7101-00101	Floor - Skin (RH) (ML-132645).....	1
43	01-1M7102-00101	Floor - Skin (LH) (ML-132645).....	1
44	01-1M7047-00101	Plate - Threshold (ML-132645).....	1
45	01-100V16-0789E	Gasket - Loading Door (Vertical) (ML-132645).....	2

* (Sold Per Inch)

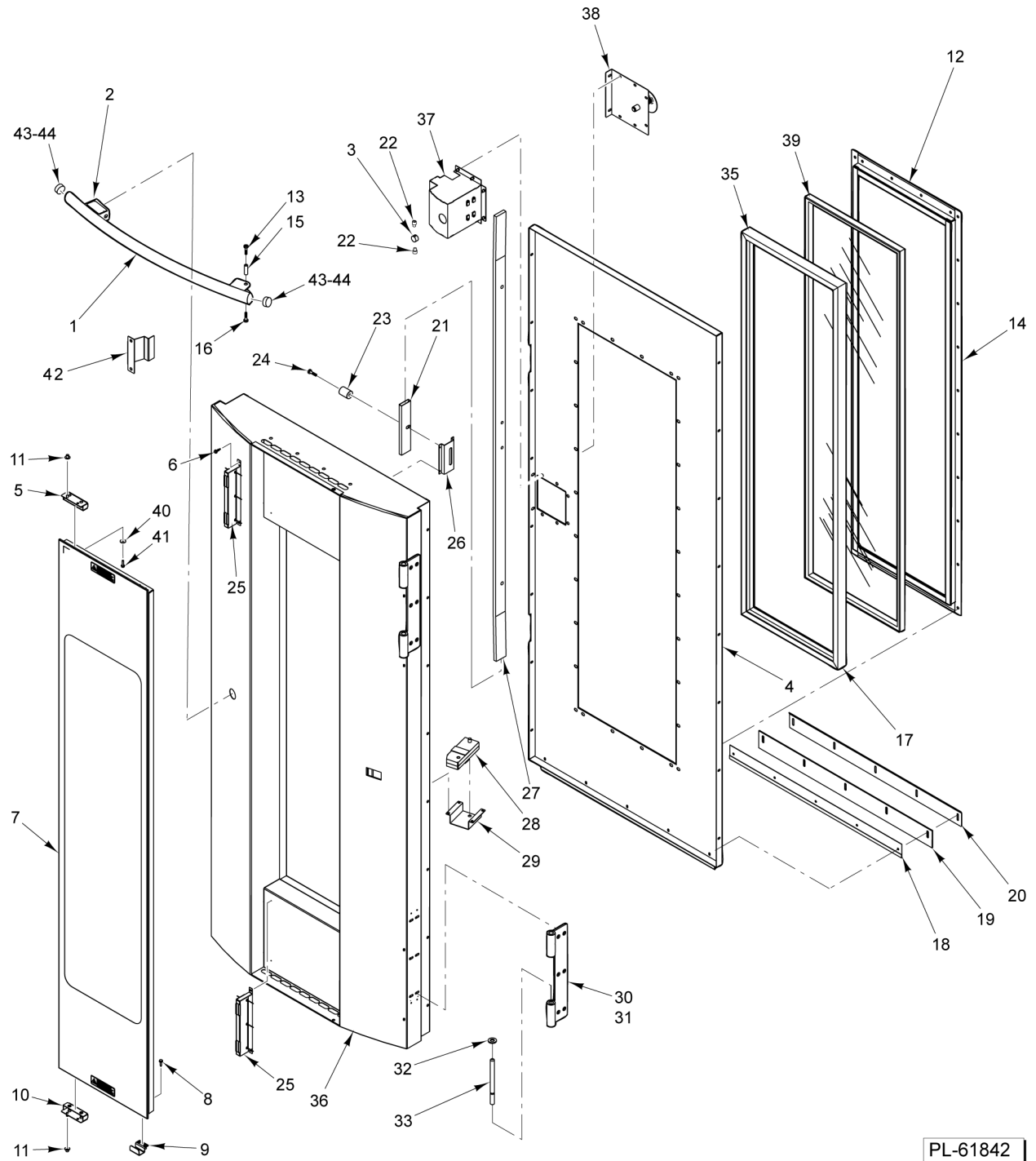


PL-61841

HOOD

HOOD

ILLUS. PL-61841	PART NO.	NAME OF PART	AMT.
1	01-100V16-0772B	Nameplate - Baxter Curved (9 In.).....	1
2	01-100V16-0772A	Nameplate - Baxter Flat (9 In.).....	1
3	01-1M7125-00001	Bracket - Plenum (Left).....	1
4	01-1M7125-00002	Bracket - Plenum (Right).....	1
5	01-1M7124-00001	Plenum - Hood.....	1
6	01-1M7123-00001	Baffle - Hood.....	1
7	01-1M6115-00101	Trim - Hood Side Single.....	1
8	01-1M5352-00001	Trim - Rear.....	1
9	01-1M6115-00101	Trim - Hood Side Single.....	1
10	01-100V17-00004	Tube 1/4 O.D. x 100 In. Lg. (Alum.).....	1
11	FP-078-49	Fitting - Tube (1/4 In.) (Brass).....	1
12	01-1M3032-00001	Cup - Hood Grease.....	1
13	01-100V18-00089	Filter - Hood 16 x 20 W/Drop (Type I Hood).....	1
14	01-100V18-00088	Filter - Hood 16 x 16 W/Drop (Type I Hood).....	2
15	01-1M5931-00001	Kit - Grease Filter (Single) (Incls. Items 12, 13, & 14).....	1
16	01-1M5624-00001	Over Pressure Vent Assy. (Incls. Item 17).....	1
17	01-1000V4-00572	Shoulder Screw, #10-32 X 3/8 Thread Length, .25 DIA X 3/8 Shoulder Length.....	2
18	01-1M7121-00003	Kit - Hood (Curved Front) (30 In.) (Standard Ovens) (Incls. Items 1, & 3 thru 9).....	1

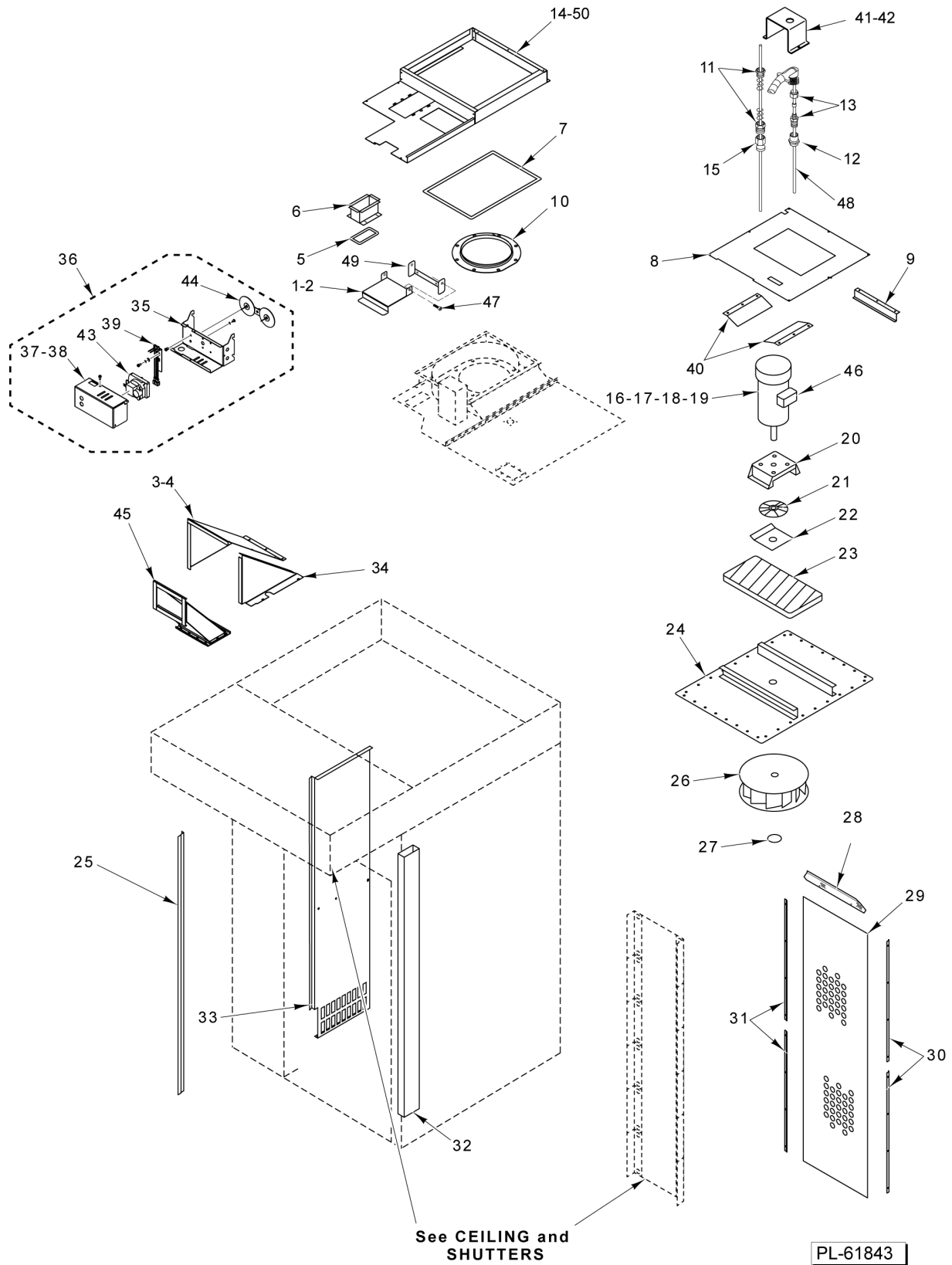


PL-61842

LOADING DOOR

LOADING DOOR

ILLUS. PL-61842	PART NO.	NAME OF PART	AMT.
1	01-1M6376-00001	Handle - Loading Door.....	1
2	01-1M6110-00003	Pivot - Top.....	1
3	01-1M6101-00102	Plug - Handle Mount.....	1
4	01-1M6101-00101	Skin - Inner Door.....	1
5	01-1M6110-00005	Bracket (Glass Handle).....	1
6	01-1000V4-00426	Screw #10-16 x 3/4 Hex Hd. (Drill Tip) (SST).....	4
7	01-1M6946-00001	Kit - Outer Door Glass Assy. (Incls. Items 6 thru 11, 25, 40, & 41).....	1
8	01-1000V4-00400	Cap Screw 10-32 x 3/4 Hex Hd. (SST).....	2
9	01-1M6110-00005	Bracket (Glass Handle).....	1
10	01-1M6110-00002	Pivot - Bottom.....	1
11	01-1000V0-00095	Bearing - Glass Pivot Sleeve.....	1
12	01-1M6106-00002	Retainer - Window Horizontal.....	2
13		Mach. Screw 1/4-20 Phillips Flt. Hd.....	1
14	01-1M6105-00001	Retainer - Window Vertical.....	2
15	01-1M6101-00115	Pin - Handle Hinge (Curved).....	1
16		Mach. Screw 1/4-20 Phillips Flt. Hd.....	1
17	01-100V16-00766	Gasket - Window (One-Piece Fused Corners).....	1
18	01-1M6101-00112	Sweep - Inner Door.....	1
19	01-100V16-0779A	Gasket - Door Sweep.....	1
20	01-1M6101-00113	Sweep - Outer Door.....	1
21	01-1M6101-00210	Bearing - Lock Bar.....	2
22	01-1000V4-00369	Cap Screw 1/4 x 1/4 Hex Socket Hd. (Zinc-Plated).....	AR
23	01-1M7093-00103	Sleeve - Roller.....	2
24	01-1000V0-00135	Bearing - Door Latch Roller.....	2
25	01-1M6149-00002	Magnet - Outer Door Weldment (Double).....	2
26	01-1M6101-00109	Lock - Retainer Bar.....	2
27	01-1M7099-00001	Bar - Lock.....	2
28	01-1M6166-00001	Bracket - Handle Pivot.....	1
29	01-1M6166-00002	Support - Handle Pivot.....	1
30	01-1M5918-00003	Hinge Assy. - Jamb Hinge (Incls. Item 31, 32, & 33).....	2
31	01-1M5918-00301	Hinge - Door (Female).....	2
32	01-1000V0-00080	Bearing - Door Hinge (Brass).....	4
33	01-1M5918-00201	Pin - Hinge Loading Door.....	4
35	01-100V21-0065A	Tape - Fiberglass (1/8 x 1).....	AR
36	01-1M6199-00001	Door Assy. (Incls. Items 1 thru 35, & 38 thru 41).....	1
37	01-1M6108-00001	Latch Assy. (Mechanism).....	1
38	01-1M7343-00001	Handle - Interior Door.....	1
39	01-100V16-00765	Glass - Double Pane.....	1
40	01-1000V0-00434	Washer.....	AR
41	01-1000V0-00284	Screw.....	AR
42	01-1M6526-00001	Bracket - Actuator, Door Switch.....	1
43	00-913135-00228	Plug - Snap In (Round).....	2
44	01-1M6103-0203B	Cap - End (Door Handle) (Oval).....	2



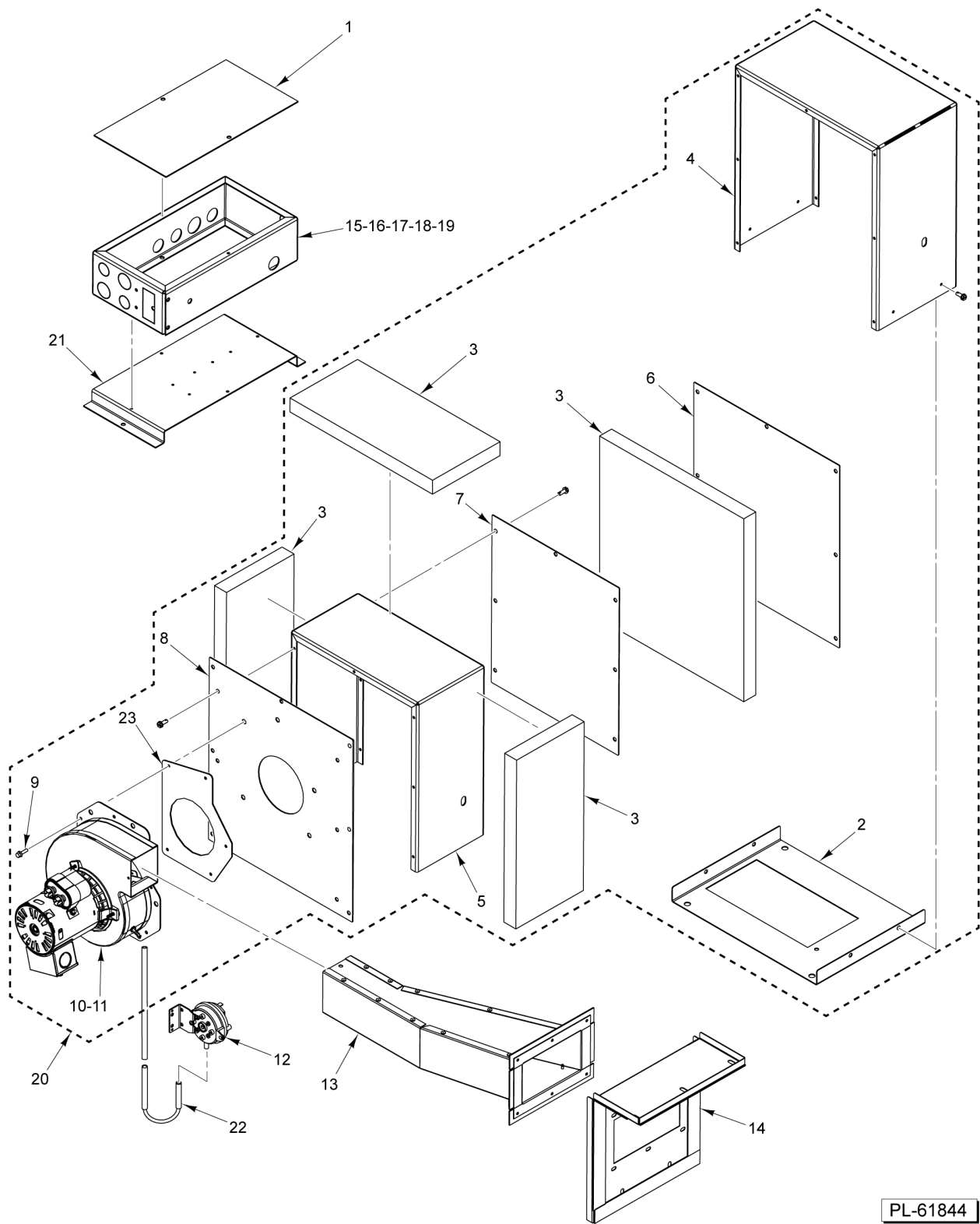
PL-61843

BLOWER, PANELS, AND VENTS

BLOWER, PANELS, AND VENTS

ILLUS. PL-61843	PART NO.	NAME OF PART	AMT.
1	01-1M6549-00001	Vent - Intake Lid.....	1
2	01-100V16-00682	Gasket - Vent Duct.....	1
3	01-1M6814-00001	Duct Assy. (Incls. Items 4 & 37).....	1
4	01-1M6814-00101	Cover - Duct (Side).....	1
*5	01-100V21-00072	Rope - Glass (3/4 Dia.).....	AR
6	01-1M5462-00001	Weldment - Rope Gasket.....	1
*7	01-100V21-0065A	Tape - Fiberglass (1/8 x 1).....	AR
8	01-1M5542-00001	Cover - Blower Insulation.....	1
9	01-1M2227-00001	Liner - Blower Insulation Cover.....	2
10	01-1M2451-00001	Bell - Inlet.....	1
11	01-100V17-00304	Kit - Stuffing Box.....	1
12	01-100V17-00257	Coupling 1/4 NPT (Brass).....	1
13	01-100V17-00279	Fitting 1/4 x 3/16.....	1
14	01-1M6141-00001	Body - Insulation Blower Cover (LH) (ML-132583).....	1
15	01-100V17-00281	Coupler - Reducer 3/8 to 1/4.....	1
16	01-1M2060-00002	Blower Assy. (3 Ph.) (Incls. Items 18, 20 thru 24, 26, & 27).....	1
17	01-1M2060-00004	Blower Assy. (1 Ph.) (Incls. Items 19 thru 24, 26, & 27).....	1
18	01-1000V8-00052	Motor - Blower (3 Ph., 1-1/2 Hp.).....	1
19	01-1000V8-00067	Motor - Blower (1 Ph., 2 Hp.).....	1
20	01-1M1360-00001	Mount - Blower Motor.....	1
21	01-1M2458-00001	Heat Slinger Assy.....	1
22	01-1M1794-00001	Cover - Blower Insulation.....	1
23	01-1M1795-00001	Insulation - Blower.....	1
24	01-1M2059-00001	Mount - Blower Weldment.....	1
25	01-1M5476-00001	Bracket - Mounting (Suction Panel).....	1
26	01-1000V8-00041	Wheel - Blower (15 In. Dia.).....	1
27	01-1000V1-00028	Ring - Snap.....	1
28	01-1M2101-00004	Z-Bar (Pressure Panel).....	1
29	01-1M2572-00001	Screen - Pressure Panel.....	1
30	01-1M2479-00002	Retainer - Pressure Screen (RH).....	2
31	01-1M2479-00003	Retainer - Pressure Screen (LH).....	2
32	01-1M2089-00001	Duct - Bottom Vent.....	1
33	01-1M6964-00001	Panel - Suction.....	1
34	01-1M6814-00102	Cover - Duct (Top).....	1
35	01-1M6551-00101	Bracket - Mounting (Vent).....	1
36	01-1M6551-00001	Vent - Motor Actuator - Assy. (Incls. Items 35, 37, 38, 39, 43, & 44).....	1
37	01-1M6551-00102	Bracket - Vent Cover.....	1
38	01-1M7509-00001	Kit, Vent Motor Replacement.....	1
39	01-1M6552-00001	Vent Switch Assy. (Vertical Screw Pattern).....	1
40	01-1M1895-00001	Cover - Blower Insulation.....	2
41	01-1M1433-00001	Protector - Thermocouple.....	1
42	01-1M5515-00001	Thermocouple Assy. - Conduit & Thermocouple.....	1
43	01-1000V8-00179	Motor - Vent Gear (4 RPM, 1/250 HP).....	1
44	01-1M6553-00001	Cam - Vent Switch.....	1
45	01-1M6803-00001	Duct - Vent.....	1
46	01-1000V6-00233	Contact - Blower.....	1
47	01-1000V4-00572	Shoulder Screw, #10-32 X 3/8 Thread Length, .25 DIA X 3/8 Shoulder Length.....	2
48	01-1A1828-00001	Kit - Thermocouple.....	1
49	01-1M6550-00101	Bracket - Vent Lid.....	1
50	01-1M7662-00001	Body - Blower Insulation Cover (LH) (ML-132645).....	1

* (Sold Per Inch)

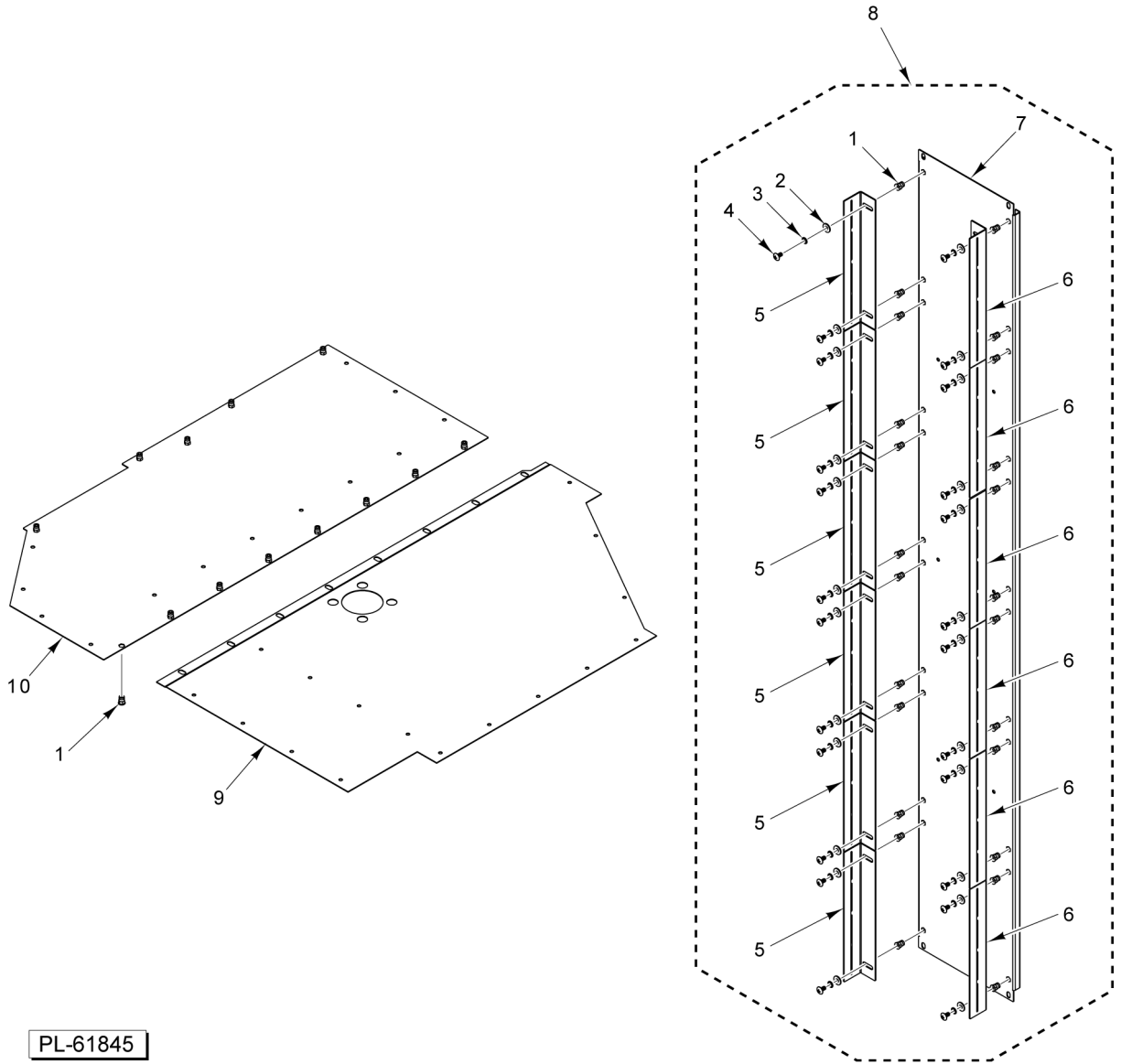


PL-61844

DRAFT INDUCER

DRAFT INDUCER

ILLUS.	PART NO.	NAME OF PART	AMT.
PL-61844			
1	01-1M5443-00001	Cover - Junction Box.....	1
2	01-1M6555-00107	Bottom - Draft Inducer.....	1
3	01-1M6631-00001	Kit - Insulation.....	1
4	01-1M6555-00102	Insulation - Cover.....	1
5	01-1M6555-00101	Inner - Draft Inducer.....	1
6	01-1M6555-00104	Cover - Insulation (Rear).....	1
7	01-1M6555-00103	Side - Draft Inducer.....	1
8	01-1M7355-00002	Assy., Mount - Motor - Draft Inducer (Standard G2EE).....	1
9	01-1000V4-00284	Screw 10-32 x 3/4 Hex Washer Hd., Serrated Flange (SST).....	8
10	01-1000V8-00156	Blower Motor - Draft Inducer.....	1
11	01-1M6661-00002	Harness, Conduit Assy. - Draft Inducer.....	1
12	01-1000V6-00396	Switch - Pressure, -.67" W.C.....	1
13	01-1M6763-00001	Duct (Single Rack).....	1
14	01-1M6764-00001	Connection - Hood.....	1
15	01-1M5684-00001	Junction Box (Frame) (Incls. Items 16 thru 19 & Water Sol. Conduit W/Wires).....	1
16	01-1M5525-00100	Box - Junction.....	1
17	01-1M5659-00002	Harness - Vent Conduit (Incls. Wires).....	1
18	01-1M5660-00002	Harness - Lifter Conduit (Incls. Wires).....	1
19	01-1M5661-00002	Harness - Blower Conduit (Incls. Wires).....	1
20	01-1M6555-00001	Draft Inducer Assy. (Incls. Items 2 thru 11, & 23).....	1
21	01-1M5441-00001	Panel - Junction Box.....	AR
22	01-1M6597-00001	Tube - Pressure Switch.....	1
23	01-100V16-00956	Gasket - Insulation (Draft Inducer).....	1

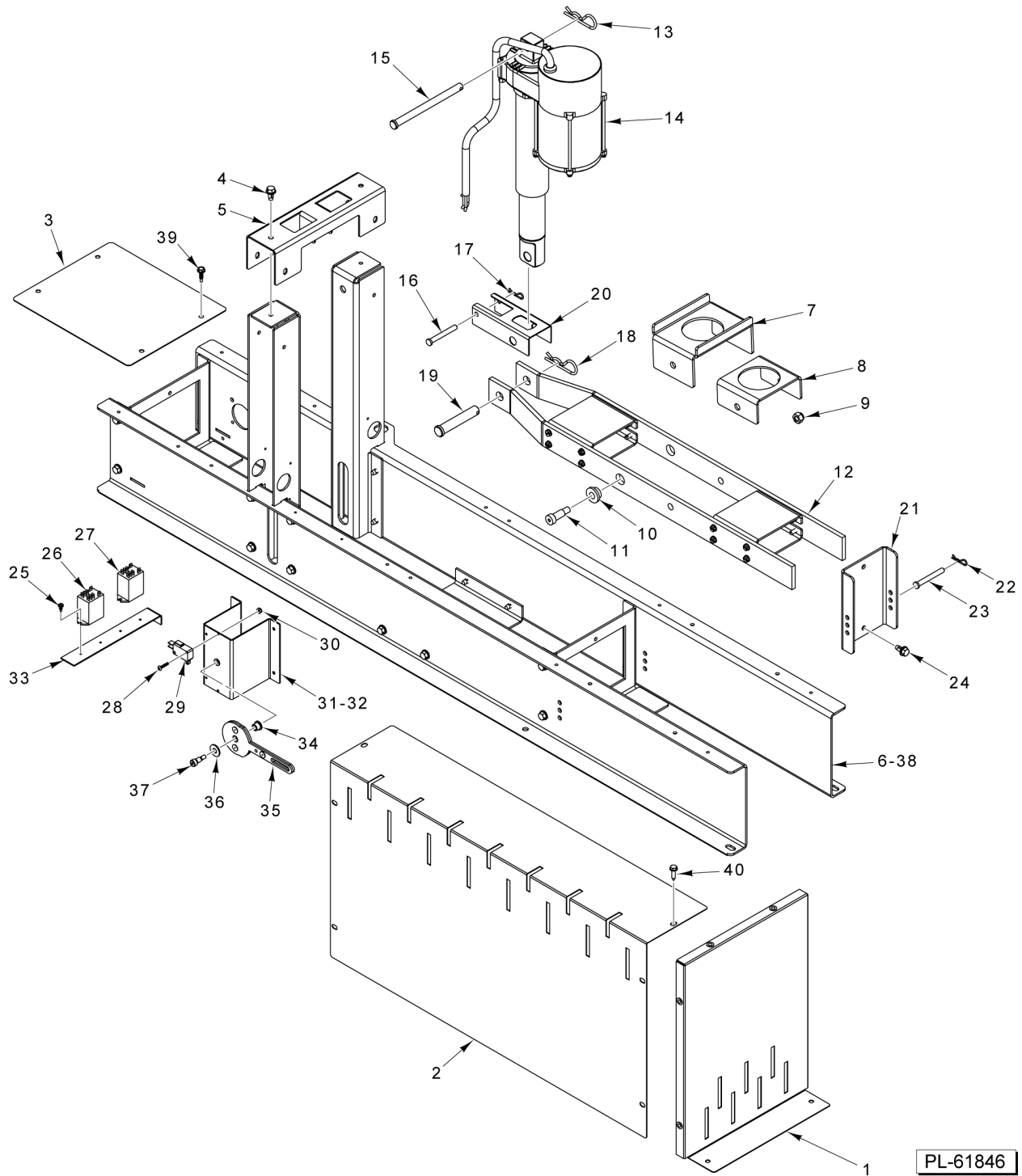


PL-61845

CEILING AND SHUTTERS

CEILING AND SHUTTERS

ILLUS. PL-61845	PART NO.	NAME OF PART	AMT.
1	01-1000V4-00122	Insert - Threaded 1/4-20.....	AR
2	01-1000V4-00433	Washer 1/4 In. (SST).....	AR
3	01-1000V4-00470	Lockwasher 1/4 In. (SST).....	AR
4	01-1000V4-00503	Mach. Screw 1/4-20 x 1/2 In. (SST).....	AR
5	01-1M5459-00001	Shutter - Pressure Panel 90 Deg.....	6
6	01-1M5459-00002	Shutter - Pressure Panel 97 Deg.....	6
7	01-1M5523-00001	Body - Pressure Panel Shutter Support.....	1
8	01-1M5458-00001	Panel - Pressure Shutter Assy. (Incls. Items 1 thru 7).....	1
9	01-1M5460-00002	Panel - False Ceiling (RH).....	1
10	01-1M5460-00001	Panel - False Ceiling (LH).....	1



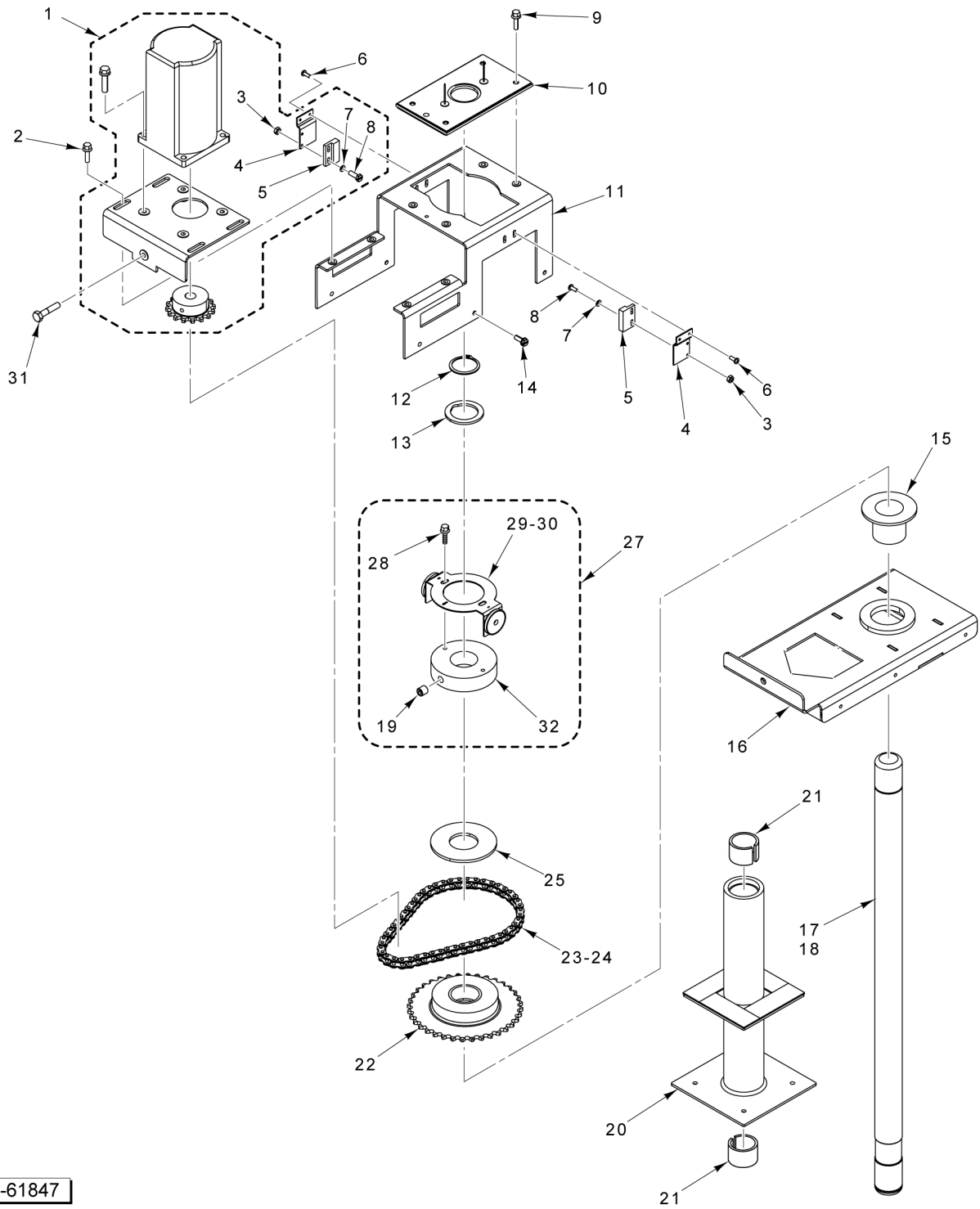
PL-61846

LIFTER

LIFTER

ILLUS.	PART NO.	NAME OF PART	AMT.
PL-61846			
1	01-1M6608-00001	Cover - Front/Back.....	2
2	01-1M6608-00002	Cover - Side.....	2
3	01-1M6608-00003	Cover - Front.....	1
4	01-1000V4-00436	Screw 1/4-20 x 1/2 Hex Hd.....	6
5	01-1M7544-00101	Bracket - Support.....	1
6	01-1M7544-00001	Body - Rack Lift Assy. (Incls. Items 4 & 5).....	1
7	01-1M6601-00103	Support - Rotator.....	1
8	01-1M6601-00104	Support - Rotator.....	1
9	01-1000V4-00380	Nut 5/16-18 NYLOCK.....	2
10	01-1000V0-00121	Bearing.....	2
11	01-1000V4-00379	Bolt - Shoulder.....	2
12	01-1M6601-00001	Lifting Arm Assy. (Incls. Items 7 thru 11).....	1
13	01-1000V1-0086A	Pin - Cotter.....	1
14	01-1M7699-00001	Kit - Actuator W/ Bracket (Incls. Item 20).....	1
15	01-1000V1-00108	Pin 3/8 x 5 In.....	1
16	01-1000V1-00087	Pin - Clevis (1/4 x 2 In.).....	1
17	01-1000V1-0087A	Pin.....	1
18	01-1000V1-0086A	Pin - Cotter.....	1
19	01-1000V1-00109	Pin - Clevis (1/2 x 2-3/4 In.).....	1
20	01-1M7698-00001	Bracket - Lift Actuator.....	1
21	01-1M6600-00203	Bracket - Support.....	1
22	01-1000V1-0087A	Pin.....	2
23	01-1000V1-00087	Pin - Clevis (1/4 x 2 In.).....	2
24	01-1000V4-00436	Screw 1/4-20 x 1/2 Hex Hd.....	2
25	01-1000V4-00510	Screw Mach. - Pan Head (6-20 x 0.375).....	4
26	01-1000V6-00271	Relay - D.P.D.T. (1/2 Hp., 120 VAC).....	1
27	01-1000V6-00297	Relay - DPDT 1/2 HP. (24V Coil).....	1
28	01-1000V4-00461	Screw 4-40 x 5/8 (SST).....	4
29	01-1000V6-00343	Switch - Lever SPST.....	2
30	01-1000V4-00355	Nut.....	4
31	01-1M6603-00001	Bracket Assy. - Switch.....	1
32	01-1M6630-00002	Harness - Rack Lift.....	1
33	01-1M6600-00104	Bracket - Relay.....	1
34	01-1000V0-00139	Bearing - Flanged Sleeve.....	1
35	01-1M7551-00102	Cam - Lift Switch.....	1
36	01-1000V4-00433	Washer 1/4 In. (SST).....	1
37	01-1000V4-00572	Shoulder Screw, #10-32 X 3/8 Thread Length, .25 DIA X 3/8 Shoulder Length.....	1
38	01-1M7551-00001	Rack Lift Assy.....	1
39	01-1000V4-00426	Screw #10-16 x 3/4 Hex Hd. (Drill Tip) (SST).....	AR
40	01-1000V4-00400	Cap Screw 10-32 x 3/4 Hex Hd. (SST).....	AR

33 01-1000V8-0177C Capacitor, Motor Run
PART NOT ILLUSTRATED

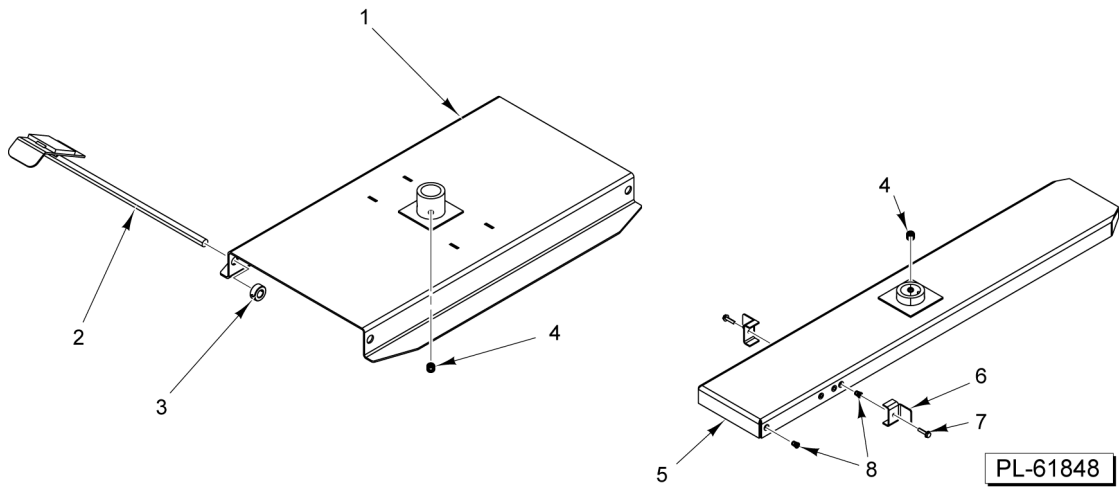


PL-61847

ROTATOR

ROTATOR

ILLUS. PL-61847	PART NO.	NAME OF PART	AMT.
1	01-1M7318-00001	Rotation Motor Assy. (Incls. Items 3 thru 5, 7, 8, & 33).....	1
2	01-1000V4-00284	Screw 10-32 x 3/4 Hex Washer Hd., Serrated Flange (SST).....	4
3	01-1000V4-00586	Nut.....	4
4	01-1M6604-00106	Bracket - Rotate Switch.....	2
5	01-1M5777-00101	Switch (Magnetic).....	2
6	01-1000V4-00515	Screw - Sheet Metal, Pan Hd. 6-32 x 3/8 (Zinc).....	4
7	01-1000V4-00585	Flat Washer.....	4
8	01-1000V4-00584	Screw.....	4
9	01-1000V4-00284	Screw 10-32 x 3/4 Hex Washer Hd., Serrated Flange (SST).....	4
10	01-1M6606-00002	Shaft Alignment Assy.....	1
11	01-1M6604-00201	Bracket - Mounting.....	1
12	01-1000V1-00085	Snap Ring.....	1
13	01-1M6704-00001	Shim - Carrier (Height Adjustment).....	10
14	01-1000V4-00385	Screw - Sheet Metal, Hex Hd. 10-16 x 3/4 (SST).....	6
15	01-1000V0-00114	Bearing - Flange.....	1
16	01-1M6605-00001	Rotator - Lifter.....	1
17	01-1M6773-00101	Shaft - Rotator (A Style) (With Hole for Pin).....	1
18	01-1M6604-00105	Shaft - Rotator (B Style).....	1
19	01-1000V4-00161	Screw, Set - Allen (3/8-16).....	1
20	01-1M6662-00001	Housing - Shaft (Incls. Item 21).....	1
21	01-1M7464-00001	Kit - Bearing (Shaft Housing).....	1
22	01-1M6610-00001	Sprocket - Rotator.....	1
23	01-1000V3-0087A	Chain - Roller 20-1/8 In.....	1
24	01-1000V3-00088	Link - Connecting.....	AR
25	01-1M6604-00104	Clutch - Slide.....	1
27	01-1M6629-00004	Magnet Switch Assy. (Two Magnets) (B Style) (C Style Single Rack) (Incls. Items 19, 28 thru 30, & 32).....	1
28	01-1000V4-00284	Screw 10-32 x 3/4 Hex Washer Hd., Serrated Flange (SST).....	2
29	01-1M6880-00003	Pointer Assy. (One Magnet) (A Style Double Rack) (C Style Single Rack).....	1
30	01-1M6880-00004	Pointer Assy. (Two Magnets) (B Style) (C Style Double Rack).....	1
31	01-1000V4-00564	Screw, Sheet Metal Hex Hd. W/ Washer 1/4-20 x 1 (SST).....	1
32	01-1M6604-00103	Collar, Set - Rotator.....	1
33	01-1000V8-0177C	Capacitor, Motor Run - (4uF/250VAC).....	1

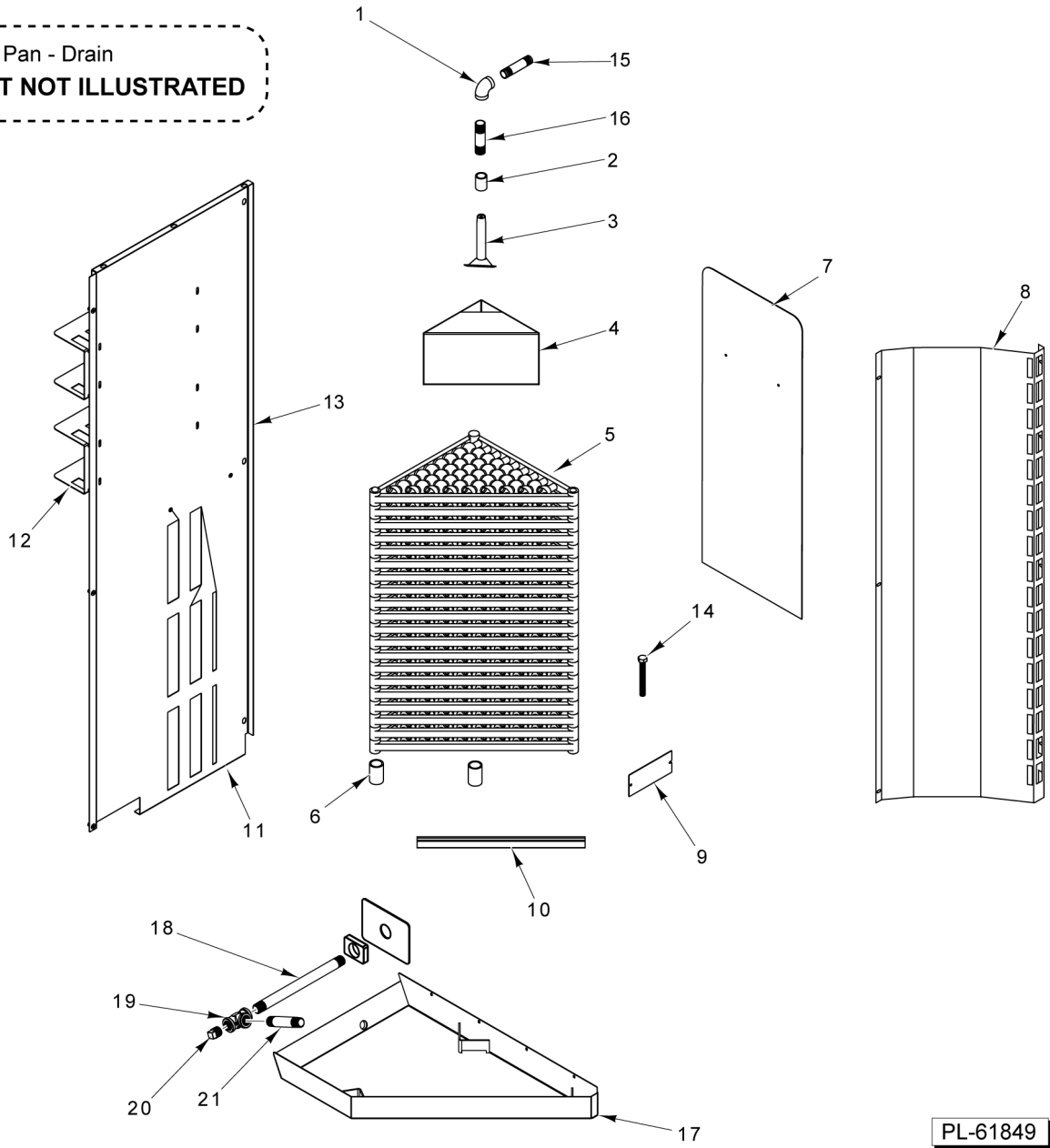


CARRIER

CARRIER

ILLUS.	PART NO.	NAME OF PART	AMT.
PL-61848			
1	01-1M7630-00001	Carrier (B Style) (Single Rack) (Incls. Items 2 thru 4) (15.60 in wide).....	1
2	01-1M2580-00002	Stop - Rack Carrier (B Style Carrier).....	2
3	01-1000V1-00013	Collar - Set 1/2 In. Dia.....	4
4	01-1000V4-00654	Screw - Set 3/8-24 x 3/8 (Knurled Tip) (Knurled Tip).....	2
5	01-1M6770-00005	Carrier (C Style) (Single Rack) (Incls. Items 4, & 6 thru 8).....	1
6	01-1M4862-00201	Stop - Rack Carrier (C Style Carrier).....	2
7	01-1000V4-00284	Screw 10-32 x 3/4 Hex Washer Hd., Serrated Flange (SST).....	2
8	01-1000V4-00121	Insert - Threaded 10-32 Hex.....	6

22 Pan - Drain
PART NOT ILLUSTRATED

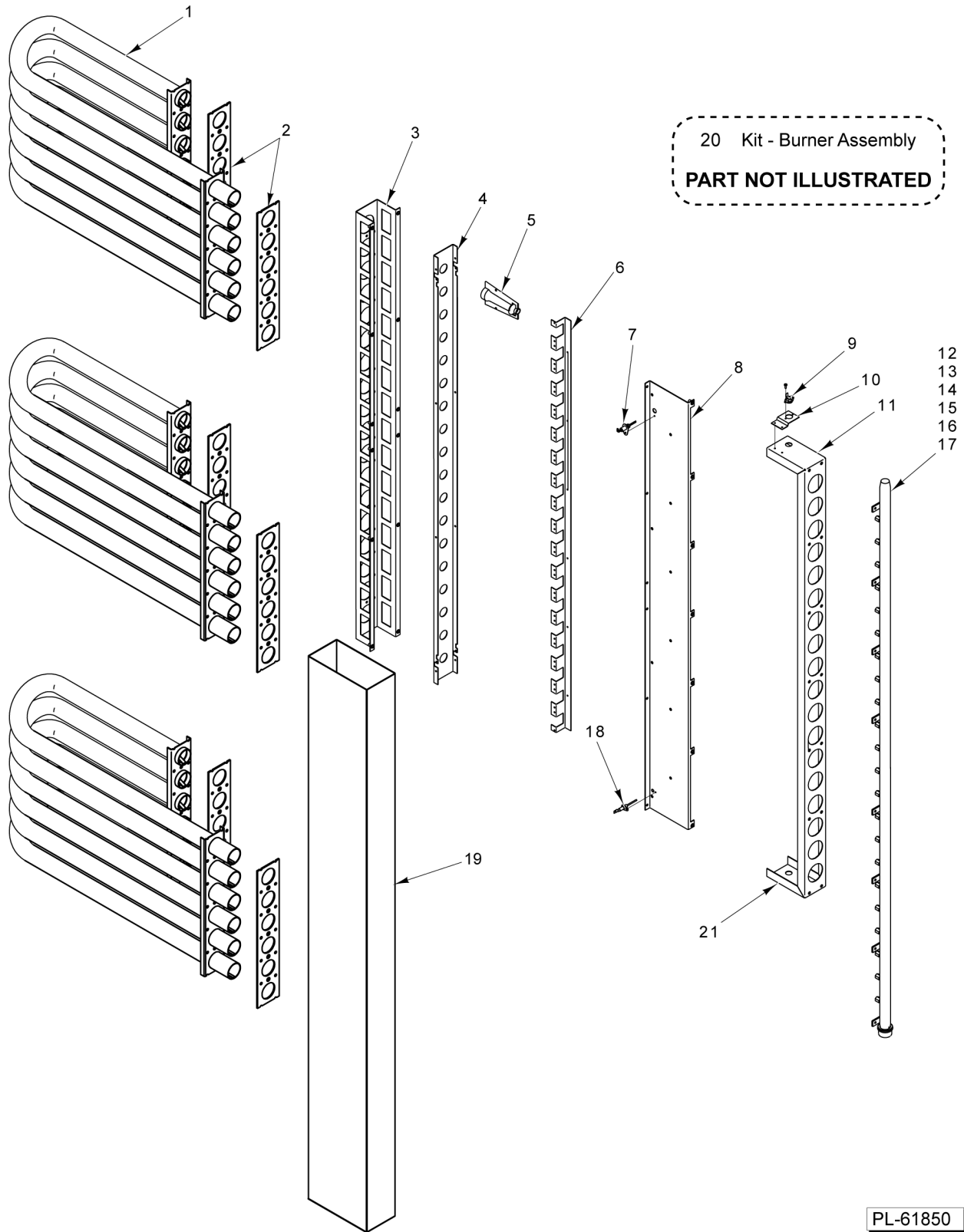


PL-61849

STEAMER ASSEMBLY

STEAMER ASSEMBLY

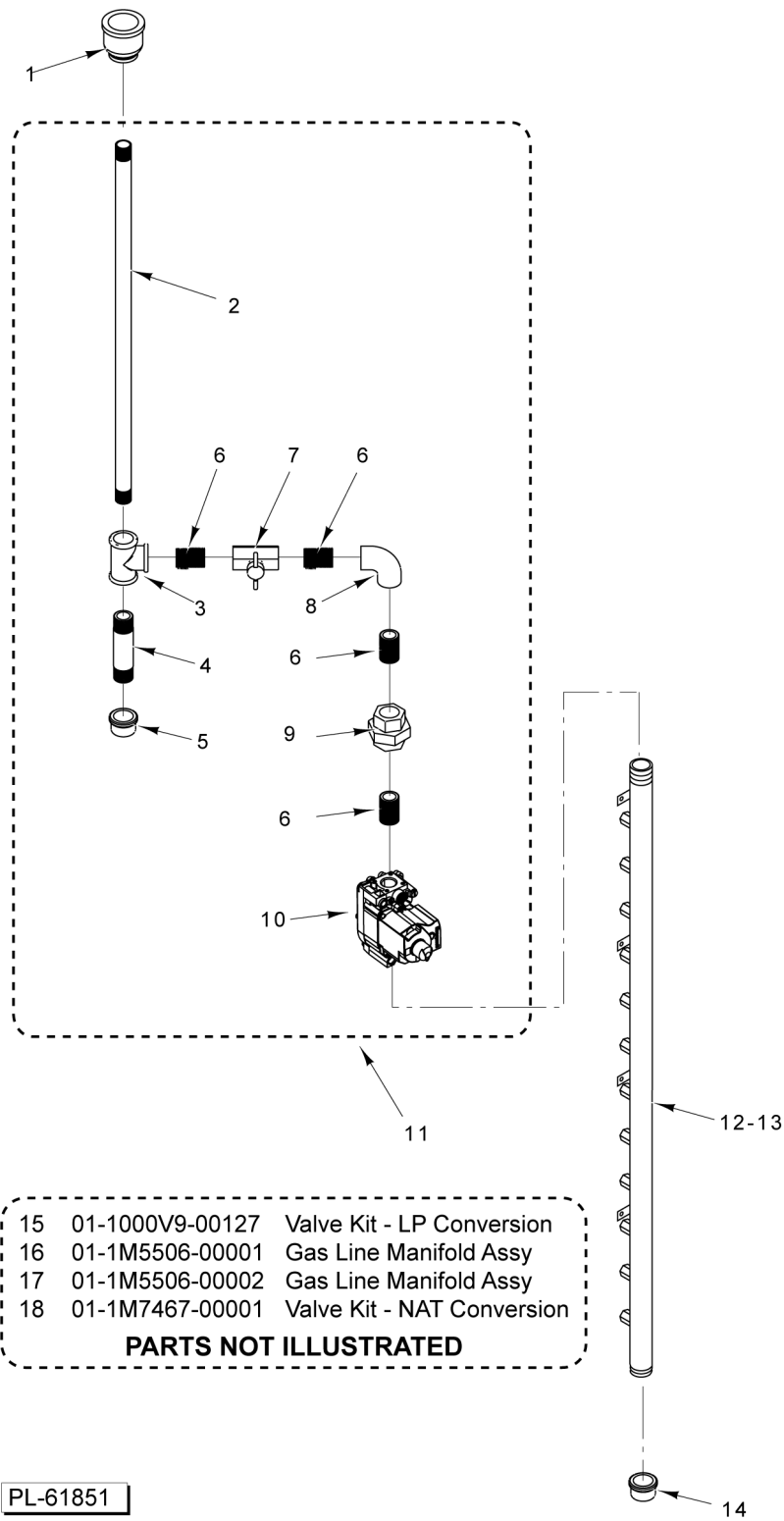
ILLUS. PL-61849	PART NO.	NAME OF PART	AMT.
1	01-100V17-00347	Elbow 1/2 In. x 90 Deg. (SST).....	1
2	01-100V17-00183	Coupler 1/2 In. (SST).....	1
3	01-1M7100-00001	Sprayer - Steam Manifold.....	1
4	01-1M5198-00001	Box Weldment - Steamer.....	1
5	01-100V16-00529	Casting - Steamer.....	20
6	01-1M5536-00001	Support - Steamer Castings.....	2
7	01-1M6325-00003	Sheet - Splash.....	1
8	01-1M5474-00001	Panel - Steamer.....	1
9	01-1M5446-00002	Plate - Steam Loader Bolt Cover.....	1
10	01-1M5065-00001	Bracket - Water Guide.....	AR
11	01-1M6965-00001	Panel - Steamer (Rear).....	1
12	01-1M6966-00001	Baffle.....	2
13	01-1M6967-00001	Panel Assy. (Heat Exchanger) (Incls Items 10 & 11).....	1
14	01-1M2161-00001	Screw - Leveler.....	1
15	01-100V17-00534	Pipe 1/2 x 3-1/2 (SST).....	1
16	01-100V17-00533	Pipe 6-1/2 x 1/2 (SST).....	1
17	01-1M7619-00001	Pan - Drain.....	1
18	01-1M7672-00001	Kit - Front Drain.....	1
19	01-100V17-00860	Tee 1/2 NPT (SST).....	1
20	01-100V17-00766	Plug - 1/2 NPT.....	1
21	01-100V17-00859	Pipe 1/2 NPT x 5 (SST).....	1
22	01-1M5429-00001	Pan - Drain.....	1



GAS BURNER AND HEAT CIRCULATION

GAS BURNER AND HEAT CIRCULATION

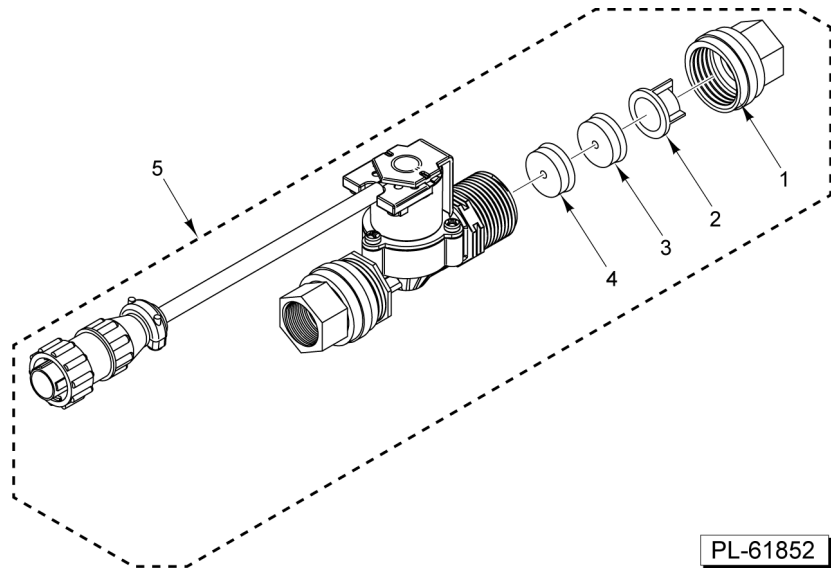
ILLUS. PL-61850	PART NO.	NAME OF PART	AMT.
1	01-100V16-01174	Heat Exchanger Assy. (6-Dimpled Tube).....	3
2	01-100V16-00530	Gasket - Heat Exchanger.....	6
3	01-1M6080-00001	Channel - Hat Burner Rack Assy.....	1
4	01-1M5467-00001	Plate - Firing (Burner Rack).....	1
5	01-1000V9-00146	Burner - In-Shot (Crossover).....	18
6	01-1M5465-00001	Mount - Burner.....	1
7	01-1000V9-00201	Ignitor - Burner Spark.....	1
8	01-1M5464-00001	Plate - Side (Burner Rack).....	1
9	01-1000V9-00150	Switch - Flame Rollout (350 F.).....	1
10	01-1M5373-00001	Bracket - Switch Mount.....	1
11	01-1M5468-00001	Enclosure - Burner Rack.....	1
12	01-1000V9-00174	Orifice #53 (0.059 In.) (NAT).....	1
13	01-1000V9-00175	Orifice #63 (0.037 In.) (LP).....	1
14	01-1000V9-00183	Orifice (0.052 Dia.) (Above 6,500 Ft.) (NAT).....	1
15	01-1000V9-00184	Orifice (0.033 Dia.) (Above 6,500 Ft.) (PRO).....	1
16	01-100V16-00610	Manifold Assy. - Gas Supply (NAT).....	1
17	01-100V16-00618	Manifold Assy. - Gas Supply (LP).....	1
18	01-1000V9-00169	Rod - Flame Sensor.....	1
19	01-1M5472-00001	Collector - Weldment.....	1
20	01-1M5682-00001	Kit - Burner Assy. (Incls. Items 4 thru 6 & 8 thru 11).....	1
21	01-1M5463-00001	Box - Burner Assy. (Incls. Items 4, 5, 6, & 8).....	1



GAS SUPPLY PLUMBING

GAS SUPPLY PLUMBING

ILLUS. PL-61851	PART NO.	NAME OF PART	AMT.
1	01-100V17-00473	Bell - Reducer.....	1
2	01-100V17-00576	Pipe (3/4 In. x 23 In.).....	1
3	01-100V17-00451	Tee 3/4 NPT x 3/4 NPT.....	1
4	01-100V17-00575	Pipe (3/4 In. x 4 In.).....	AR
5	01-100V17-00472	Cap - Pipe 3/4.....	1
6	FP-036-92	Pipe 3/4 x 1-3/8 TBE (Black).....	4
7	01-100V17-00169	Valve - Shut Off, Gas 3/4 NPT.....	1
8	01-100V17-00513	Elbow - Pipe 90 Deg. x 3/4 NPT (Black).....	1
9	01-100V17-00470	Union 3/4 NPT BLK #150.....	1
10	01-1000V9-00160	Valve - Gas (3/4 In.).....	1
11	01-1M5898-00001	Gas Supply Assy. (W/Valve) (Incls. Items 2 thru 10).....	1
12	01-100V16-00610	Manifold - Gas Supply (NAT) (Single Rack Ovens).....	1
13	01-100V16-00618	Manifold - Gas Supply (LP) (Single Rack Ovens).....	1
14	01-100V17-00472	Cap - Pipe 3/4.....	1
15	01-1000V9-00127	Valve Kit - LP Conversion (Use W/Item 10).....	1
16	01-1M5506-00001	Gas Line Manifold Assy. (NAT) (Single Rack Ovens) (Incls. 11, 12, & 14).....	1
17	01-1M5506-00002	Gas Line Manifold Assy. (LP) (Single Rack Ovens) (Incls. 11, 13, & 14).....	1
18	01-1M7467-00001	Valve Kit - NAT Conversion.....	AR



EXTERIOR WATER SUPPLY

EXTERIOR WATER SUPPLY

ILLUS.	PART NO.	NAME OF PART	AMT.
PL-61852			
1	01-100V17-00830	Adapter - Hose to Pipe 3/4 GHTF x 1/2 NPTF.....	1
*2	01-100V17-00838	Filter - Solenoid Valve (5 GPM Without Restrictor).....	1
3	01-100V17-00840	Restrictor - Flow (White 3 GPM) (Double Rack Ovens).....	1
4	01-100V17-00839	Restrictor - Flow (Brown 2 GPM) (Single Rack Ovens).....	1
5	01-1M7494-00001	Kit - Water Solenoid (Incls. Items 1 thru 4).....	AR

* No Restrictor used on Panera Bread Double Rack Ovens.

