



# CATALOG OF REPLACEMENT PARTS



## CS500E2 ELECTRIC RACK OVEN

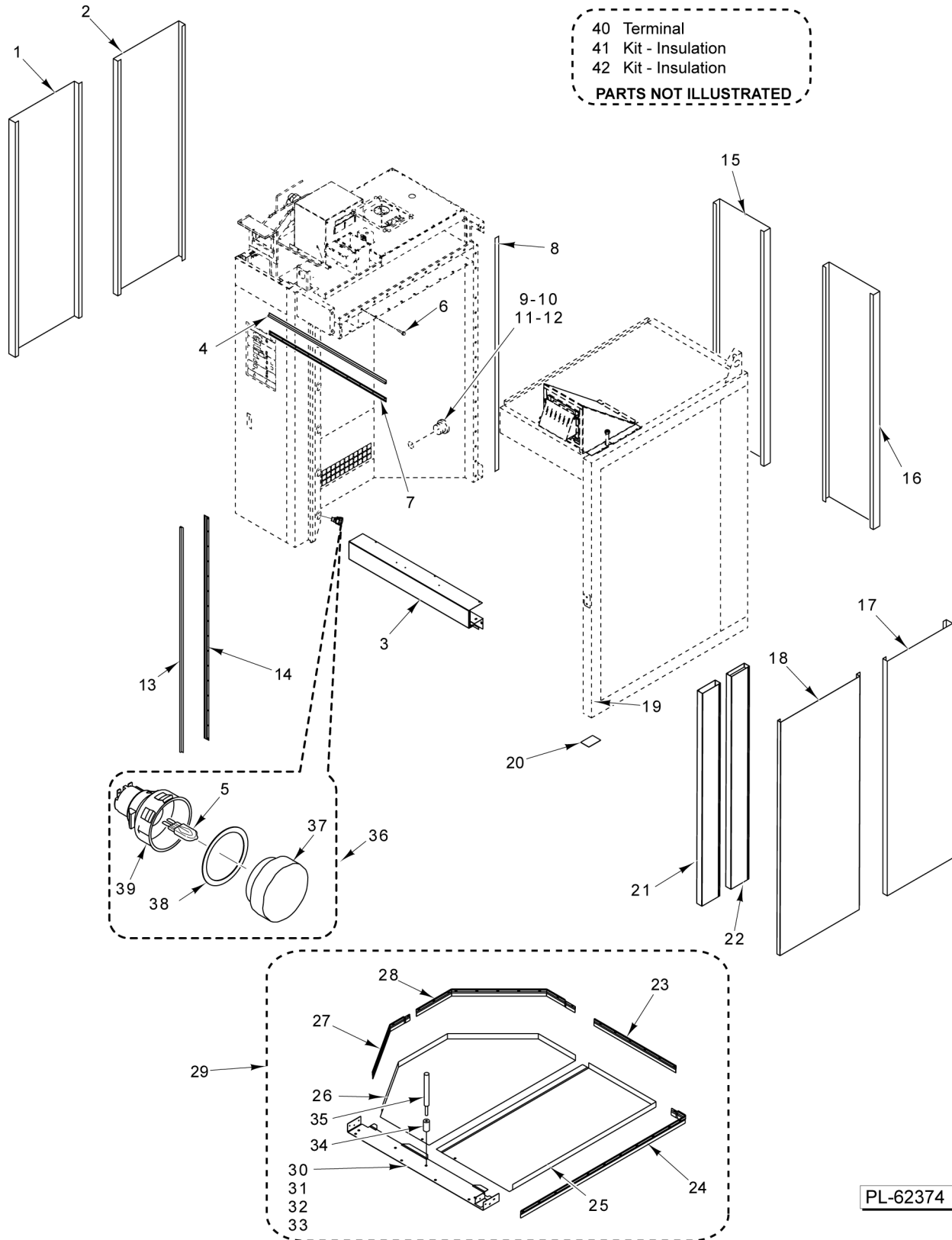
ML-132596

CS500E2



### Table of Contents

5	CABINET
7	BLOWER, PANELS, AND VENTS
9	CEILING AND SHUTTERS
11	STEAMER ASSEMBLY
13	EXTERIOR WATER SUPPLY
15	CONTROL CABINET, DOOR, AND CONTROLLER
17	HEATING ELEMENTS
19	COMPONENT BOX
21	LOADING DOOR
23	LIFTER
25	ROTATOR
27	CARRIER
29	HOOD - TYPE II

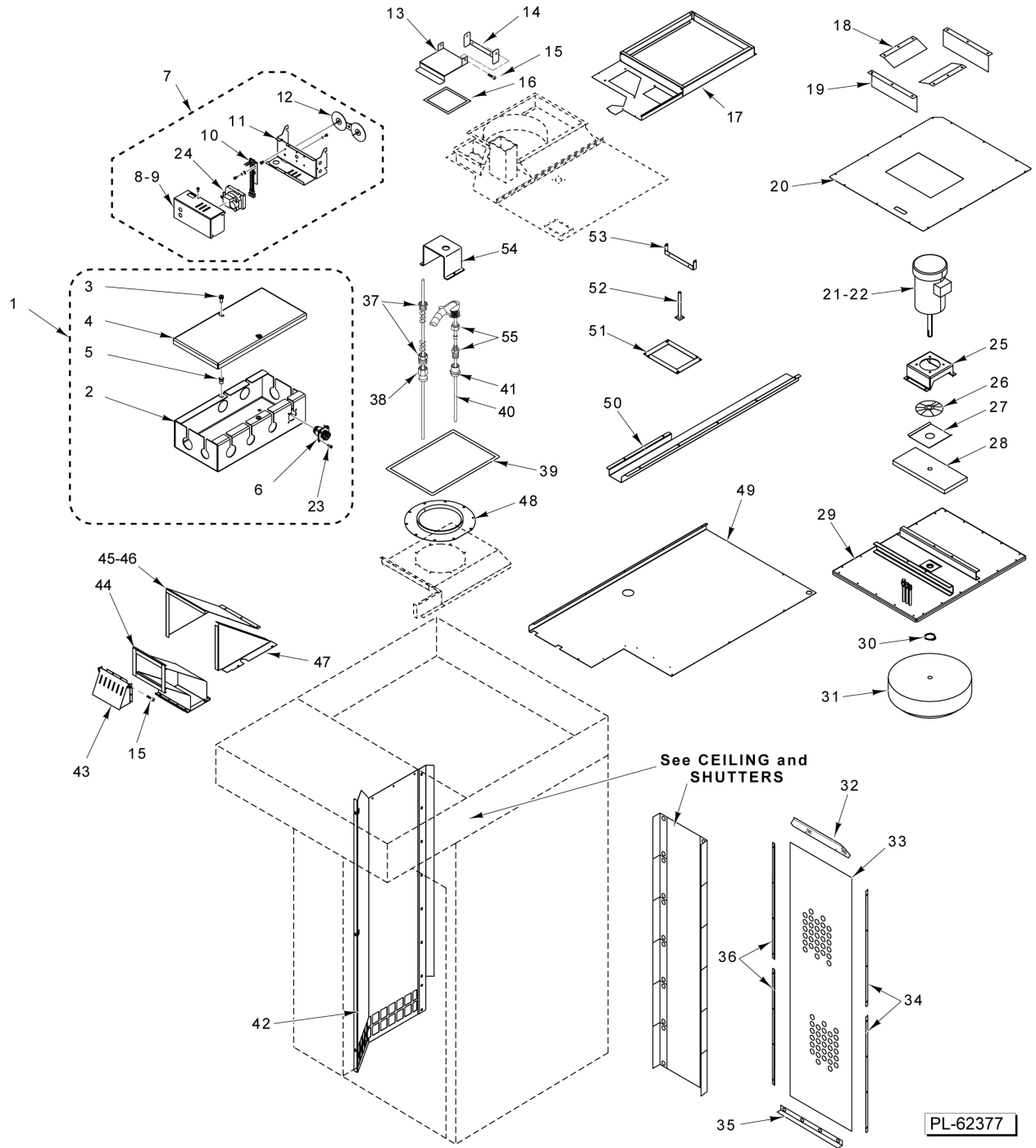


**CABINET**

PL-62374

## CABINET

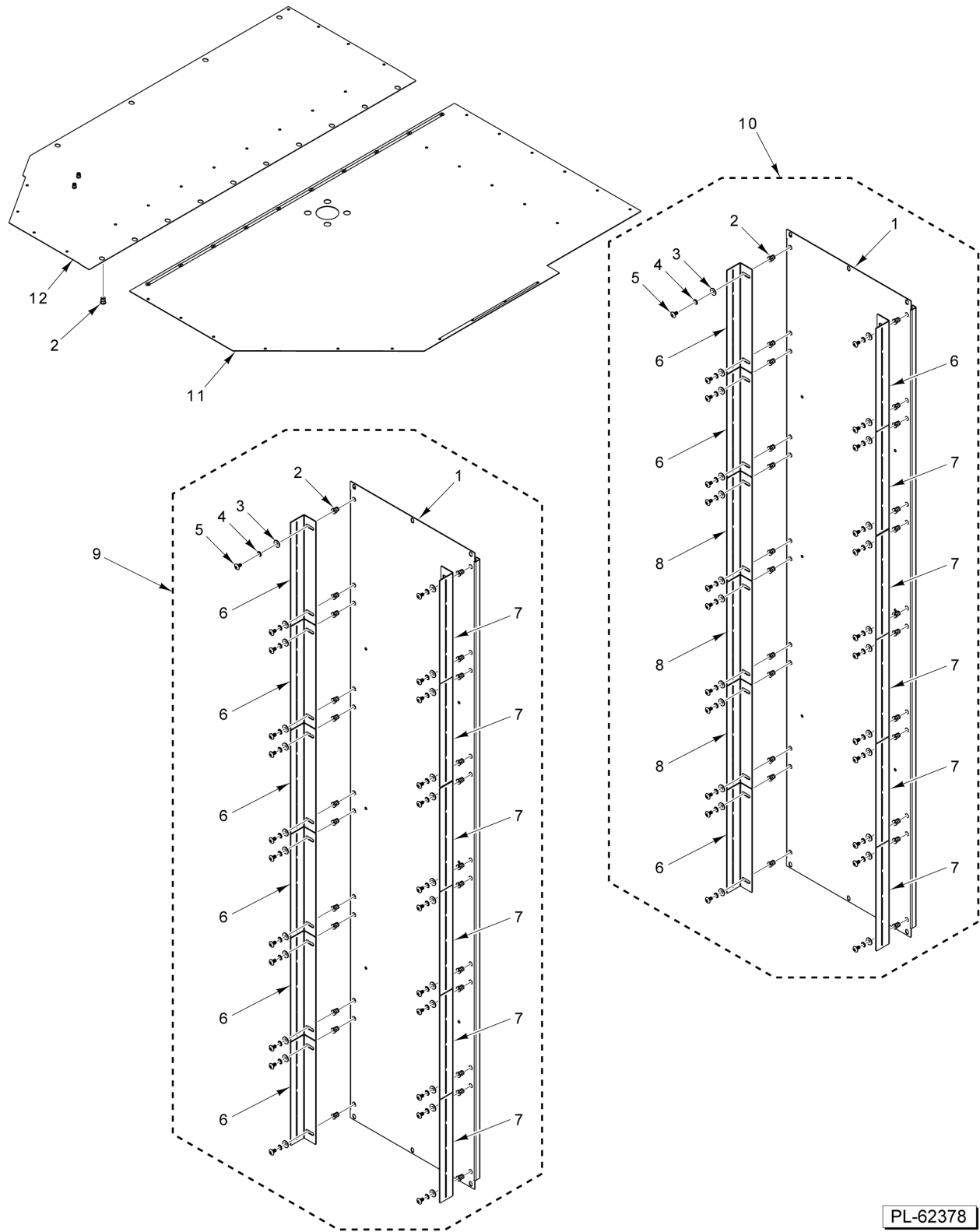
ILLUS.	PART NO.	NAME OF PART	AMT.
PL-62374			
1	01-1M7061-00201	Skin - Outer (28.625 In.).....	1
2	01-1M7061-00202	Skin - Outer (22.475 In.).....	1
3	01-1M7031-00002	Header - Loading Door (Top).....	1
4	01-100V16-0789D	Gasket - Loading Door (Horizontal) (42.00 In.).....	1
5	01-1000V7-00054	Bulb - Halogen G9 Base.....	AR
6	01-1000V4-00283	Mach. Screw 1/4-20 x 3/4 Hex Washer Hd. (SST).....	AR
7	01-1M7090-00201	Retainer - Gasket (Horizontal).....	1
8	01-100V21-0065A	Tape - Fiberglass (1/8 x 1) (With Adhesive) (Sold Per Foot).....	AR
9	01-100V17-00859	Pipe 1/2 NPT x 5 (SST).....	1
10	01-100V17-00767	Pipe 1/2 NPT X 10 (SST).....	1
11	01-100V17-00860	Tee 1/2 NPT (SST).....	1
12	01-100V17-00766	Plug - 1/2 NPT (Rear Drain).....	1
13	01-100V16-0789E	Gasket - Loading Door (Vertical) (80.25 In.).....	2
14	01-1M7090-00202	Retainer - Gasket (Loading Door).....	2
15	01-1M7061-00201	Skin - Outer (28.625 In.).....	1
16	01-1M7061-00201	Skin - Outer (28.625 In.).....	1
17	01-1M7061-00202	Skin - Outer (22.475 In.).....	1
18	01-1M7061-00201	Skin - Outer (28.625 In.).....	1
19	01-1M2335-00001	Wheel (For Installation).....	1
20	01-1M5610-00201	Shim - Jamb Plate.....	AR
21	01-1M2089-00001	Duct - Bottom Vent (Front).....	1
22	01-1M2566-00001	Duct - Side (Rear).....	1
23	01-1M7105-00202	Trim Assy. - Floor (Rear).....	1
24	01-1M7105-00201	Trim - Floor Assy. (RH).....	1
25	01-1M7101-00002	Skin - Floor (RH).....	1
26	01-1M7102-00002	Skin - Floor (LH).....	1
27	01-1M7105-00204	Trim - Front Floor (Left Front).....	1
28	01-1M7105-00203	Trim - Rear Floor (Left Rear).....	1
29	01-1M7104-00002	Kit - Floor (Incls. Items 23 thru 28).....	1
30	01-1M7047-00201	Threshold.....	1
31	01-1000V4-00221	Mach. Screw 1/4-20 x 1/2 Phil. Flat Hd. (SST).....	AR
32	01-1000V4-00222	Mach. Screw 1/4-20 x 3/4 Phil. Flat Hd. (SST).....	AR
33	01-1000V4-00223	Mach. Screw 1/4-20 x 1 Phil. Flat Hd. (SST).....	AR
34	01-1000V4-00073	Anchor - Drop-In 1/4-20.....	1
35	01-1000V4-0073A	Tool - Setting (1/4 In.).....	1
36	01-1M7311-00001	Kit - Light Replacement (Incls. Items 5, 37 thru 39).....	AR
37	01-1000V7-00058	Lens - Oven Lamp.....	AR
38	01-1000V7-00059	Ring - Pressure.....	AR
39	01-1000V7-00057	Base - Halogen Oven Lamp.....	AR
40	01-1000V5-00138	Terminal - Straight Female Insulated.....	AR
41	01-1M7339-00002	Kit - Insulation (Complete Oven Kit) (Incls. Item 42).....	1
42	01-1M7340-00002	Kit - Insulation, Oven (Split Bag) (Center Seam Insulation).....	1



**BLOWER, PANELS, AND VENTS**

**BLOWER, PANELS, AND VENTS**

ILLUS. PL-62377	PART NO.	NAME OF PART	AMT.
1	01-1M5525-00001	Box - Junction (Incls. Items 2 thru 6, & 23).....	1
2	01-1M5525-00100	Box - Junction.....	1
3	01-1000V4-00474	Screw 10-32 x 1/2 Hex Washer Hd. (Zinc).....	2
4	01-1M5525-00106	Cover - Junction Box.....	1
5	01-1000V4-00121	Insert - Threaded 10-32 Hex.....	2
6	01-1M7496-00001	Receptacle (Water Connection).....	1
7	01-1M6551-00001	Vent - Motor Actuator - Assy. (Incls. Items 8 thru 12, & 24).....	1
8	01-1M6551-00102	Bracket - Vent Cover.....	1
9	01-1M7509-00001	Kit, Vent Motor Replacement.....	1
10	01-1M6552-00001	Vent Switch Assy.....	1
11	01-1M6551-00101	Bracket - Mounting (Vent).....	1
12	01-1M6553-00001	Cam - Vent Switch.....	1
13	01-1M6550-00101	Bracket - Vent Lid.....	1
14	01-1M6549-00001	Vent - Intake Lid.....	1
15	01-1000V4-00572	Shoulder Screw, #10-32 X 3/8 Thread Length, .25 DIA X 3/8 Shoulder Length.....	4
16	01-100V16-00682	Gasket - Vent Duct.....	AR
17	01-1M7059-00002	Body - Insulation Blower Cover.....	1
18	01-1M1895-00001	Cover - Blower Insulation.....	2
19	01-1M2227-00001	Liner - Blower Insulation Cover.....	2
20	01-1M6955-00205	Cover - Blower Insulation.....	1
21	01-1M7057-00002	Blower Assy. (3 Ph.) (Incls. Items 22, & 25 thru 31).....	1
22	01-1000V8-00052	Motor - Blower (3 Ph., 1-1/2 Hp.).....	1
23	01-1000V4-00620	Mach. Screw 4-40 x 3/8.....	2
24	01-1000V8-00179	Motor - Vent Gear (4 RPM, 1/250 HP).....	1
25	01-1M1360-00001	Mount - Blower Motor.....	1
26	01-1M2458-00001	Heat Slinger Assy.....	1
27	01-1M1794-00001	Cover - Blower Insulation.....	1
28	01-1M1795-00001	Insulation - Blower.....	1
29	01-1M7058-00002	Weldment - Blower Mount.....	1
30	01-1000V1-00028	Ring - Snap.....	1
31	01-1000V8-00058	Wheel - Blower (18 In. Dia.).....	1
32	01-1M5686-00207	Retainer - Pressure Panel Top.....	1
33	01-1M2572-00001	Screen - Pressure Panel.....	1
34	01-1M5686-00206	Retainer - Pressure Panel.....	2
35	01-1M5686-00205	Retainer - Pressure Panel.....	1
36	01-1M5686-00206	Retainer - Pressure Panel.....	2
37	01-100V17-00304	Kit - Stuffing Box.....	1
38	01-100V17-00281	Coupler - Reducer 3/8 to 1/4.....	1
39	01-100V16-00682	Gasket - Vent Duct (Sold Per Inch).....	AR
40	01-1A1828-00001	Kit - Thermocouple.....	1
41	01-100V17-00257	Coupling 1/4 NPT (Brass).....	1
42	01-1M7051-00002	Panel - Suction.....	1
43	01-1M5624-00001	Over Pressure Vent Assy.....	1
44	01-1M7066-00002	Duct - Vent.....	1
45	01-1M6814-00001	Duct Assy. (Incls. Items 46 & 47).....	1
46	01-1M6814-00101	Cover - Duct (Side).....	1
47	01-1M6814-00102	Cover - Duct (Top).....	1
48	01-1M7056-00002	Bell - Inlet.....	1
49	01-1M7060-00201	Ceiling Skin - Body (RH).....	1
50	01-1M7060-00202	Ceiling Skin - Channel Access.....	1
51	01-1M5868-00001	Power Vent - Filler Duct.....	1
52	01-1M6774-00001	Tube - Weldment Highlimit.....	1
53	01-1M6550-00101	Bracket - Vent Lid.....	1
54	01-1M1433-00001	Protector - Thermocouple.....	1
55	01-100V17-00279	Fitting 1/4 x 3/16.....	1



PL-62378

**CEILING AND SHUTTERS**

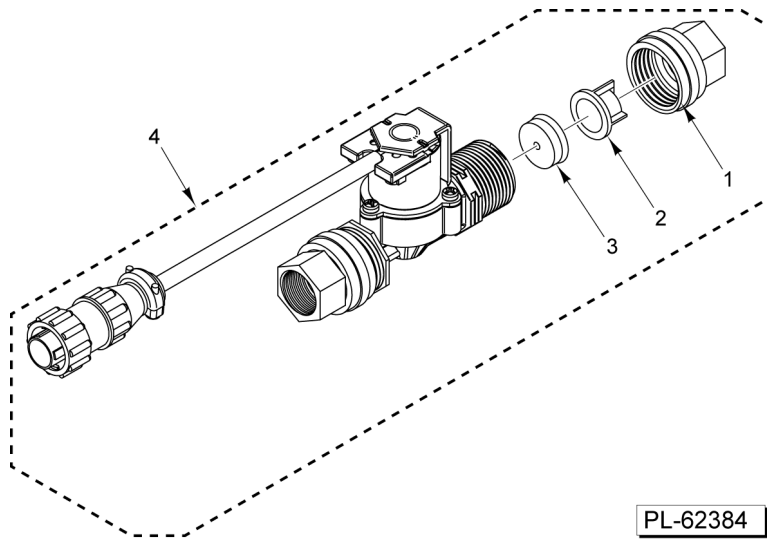
**CEILING AND SHUTTERS**

ILLUS.	PART NO.	NAME OF PART	AMT.
PL-62378			
1	01-1M2096-00002	Body - Pressure Panel Shutter Support (Incls. Item 2).....	1
2	01-1000V4-00122	Insert - Threaded 1/4-20.....	AR
3	01-1000V4-00433	Washer 1/4 In. (SST).....	AR
4	01-1000V4-00470	Lockwasher 1/4 In. (SST).....	AR
5	01-1000V4-00503	Mach. Screw 1/4-20 x 1/2 In. (SST).....	AR
6	01-1M5459-00001	Shutter - Pressure Panel 90 Deg.....	AR
7	01-1M5459-00002	Shutter - Pressure Panel 97 Deg.....	AR
8	01-1M5459-00003	Shutter - Pressure Panel 93 Deg.....	AR
9	01-1M5177-00001	Pressure Panel Assy. (60 Hz).....	1
10	01-1M5177-00003	Pressure Panel Assy. (50 Hz).....	1
11	01-1M7049-00004	Ceiling Assy. - False (RH).....	1
12	01-1M7049-00002	Ceiling Assy. - False (LH).....	1



**STEAMER ASSEMBLY**

ILLUS.	PART NO.	NAME OF PART	AMT.
PL-62382			
1	01-1000V4-00009	Screw - Sheet Metal Hex Hd. #10 X 3/4 In.....	AR
2	01-1000V4-00122	Insert - Threaded 1/4-20.....	AR
3	01-1000V4-00283	Mach. Screw 1/4-20 x 3/4 Hex Washer Hd. (SST).....	AR
4	01-100V16-00529	Casting - Steamer.....	20
5	01-100V17-00183	Coupler 1/2 In. (SST).....	2
6	01-100V17-00347	Elbow 1/2 In. x 90 Deg. (SST).....	1
7	01-100V17-00534	Pipe 1/2 x 3-1/2 (SST).....	1
8	01-100v17-00515	Pipe 1/2 x 13 In. (SST).....	2
9	01-100V17-00766	Plug - 1/2 NPT.....	1
10	01-100V17-00767	Pipe 1/2 NPT X 10 (SST).....	1
11	01-100V17-00859	Pipe 1/2 NPT x 5 (SST).....	1
12	01-100V17-00860	Tee 1/2 NPT (SST).....	1
13	01-1M2161-00001	Screw - Leveler.....	1
14	01-1M5065-00001	Bracket - Water Guide.....	7
15	01-1M6325-00002	Sheet - Splash.....	1
16	01-1M7052-00002	Panel - Suction Top.....	1
17	01-1M7065-00001	Angle, Steamer Box.....	1
18	01-1M7100-00001	Sprayer - Steam Manifold.....	1
19	01-1M7100-00006	Manifold Assy. (Incls. Items 5, 8, & 18).....	1
20	01-1M7636-00002	Panel - Steamer Rear.....	1
21	01-1M7619-00002	Pan - Drain.....	1
22	01-1M7619-00103	Clip - Retainer.....	1

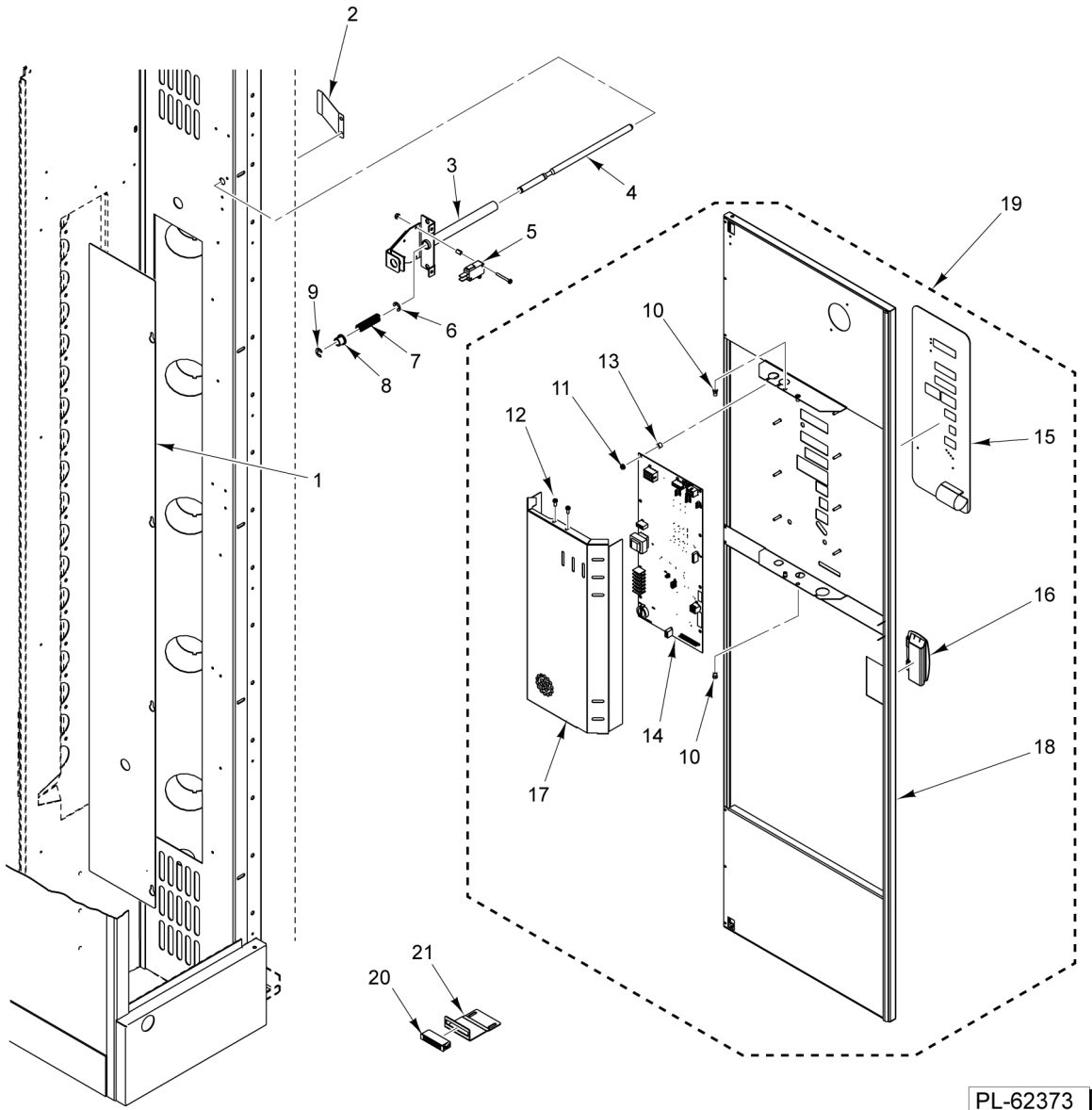


PL-62384

### EXTERIOR WATER SUPPLY

**EXTERIOR WATER SUPPLY**

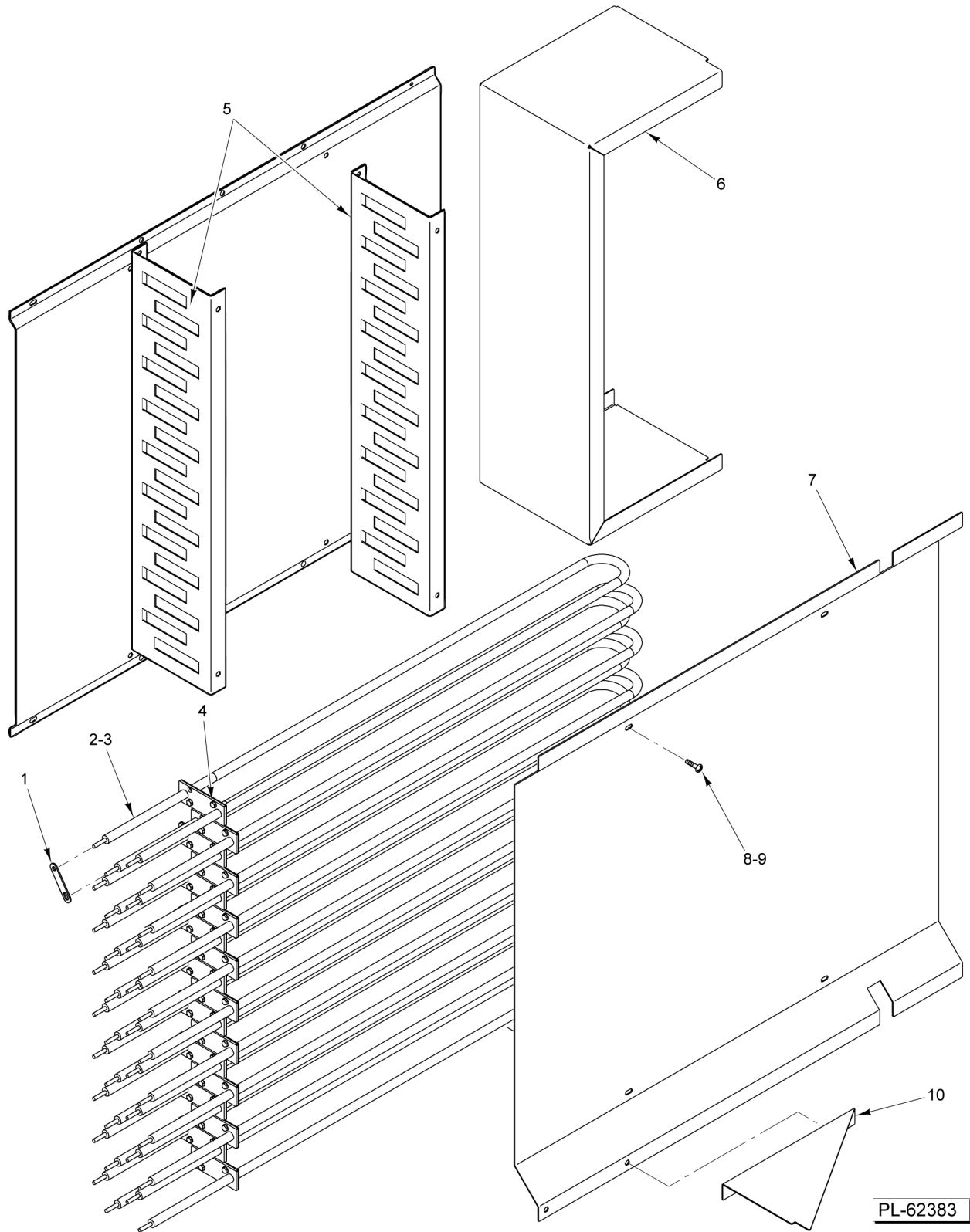
ILLUS. PL-62384	PART NO.	NAME OF PART	AMT.
1	01-100V17-00830	Adapter - Hose to Pipe 3/4 GHTF x 1/2 NPTF.....	1
2	01-100V17-00838	Filter - Solenoid Valve (R Series Inlet).....	1
3	01-100V17-00840	Restrictor - Flow (White 3 GPM) (Double Rack Oven).....	1
4	01-1M7494-00001	Kit - Water Solenoid (Incls. Items 1 thru 3).....	AR



**CONTROL CABINET, DOOR, AND CONTROLLER**

**CONTROL CABINET, DOOR, AND CONTROLLER**

ILLUS.	PART NO.	NAME OF PART	AMT.
PL-62373			
1	01-1M5150-00001	Cover - Light Access.....	1
2	01-1M6928-00001	Plate, Actuator (Door Switch).....	1
3	01-1M6478-00001	Door Switch Assy. (Spring Loaded) (Incls. Items 4 thru 9).....	1
4	01-1M6478-00101	Rod - Actuator.....	1
5	01-1000V6-00343	Switch - Lever SPST.....	2
6	01-1000V1-00078	Clip - E-Door.....	1
7	01-100V20-00027	Spring - Compression.....	1
8	01-1M6478-00103	Bearing (Bronze).....	1
9	01-1000V1-00078	Clip - E-Door.....	1
10	01-1000V4-00121	Insert - Threaded 10-32 Hex.....	4
11	01-1000V4-00336	Nut #10-32 W/ Lockwasher (SST).....	8
12	01-1000V4-00474	Screw 10-32 x 1/2 Hex Washer Hd. (Zinc).....	4
13	01-1000V5-00164	Spacer 3/8 x 5/16 Lg. (Nylon).....	8
14	01-100V16-01036	Board - Control (USB Compatible).....	1
15	01-100V16-01165	Label - Control (Black).....	1
16	01-100V18-00221	Handle - Pocket (Plastic).....	1
17	01-1M7063-00102	Cover, Control - Display.....	1
18	01-1M7613-00002	Door - Control Assy. (W/ Studs) (No Overlay).....	1
19	01-1M7612-00002	Control Door Assy. (Incls. Items 10 thru 18).....	1
20	01-100V18-00220	Magnet - Snap-In.....	2
21	01-1M7617-00101	Bracket - Magnet.....	2

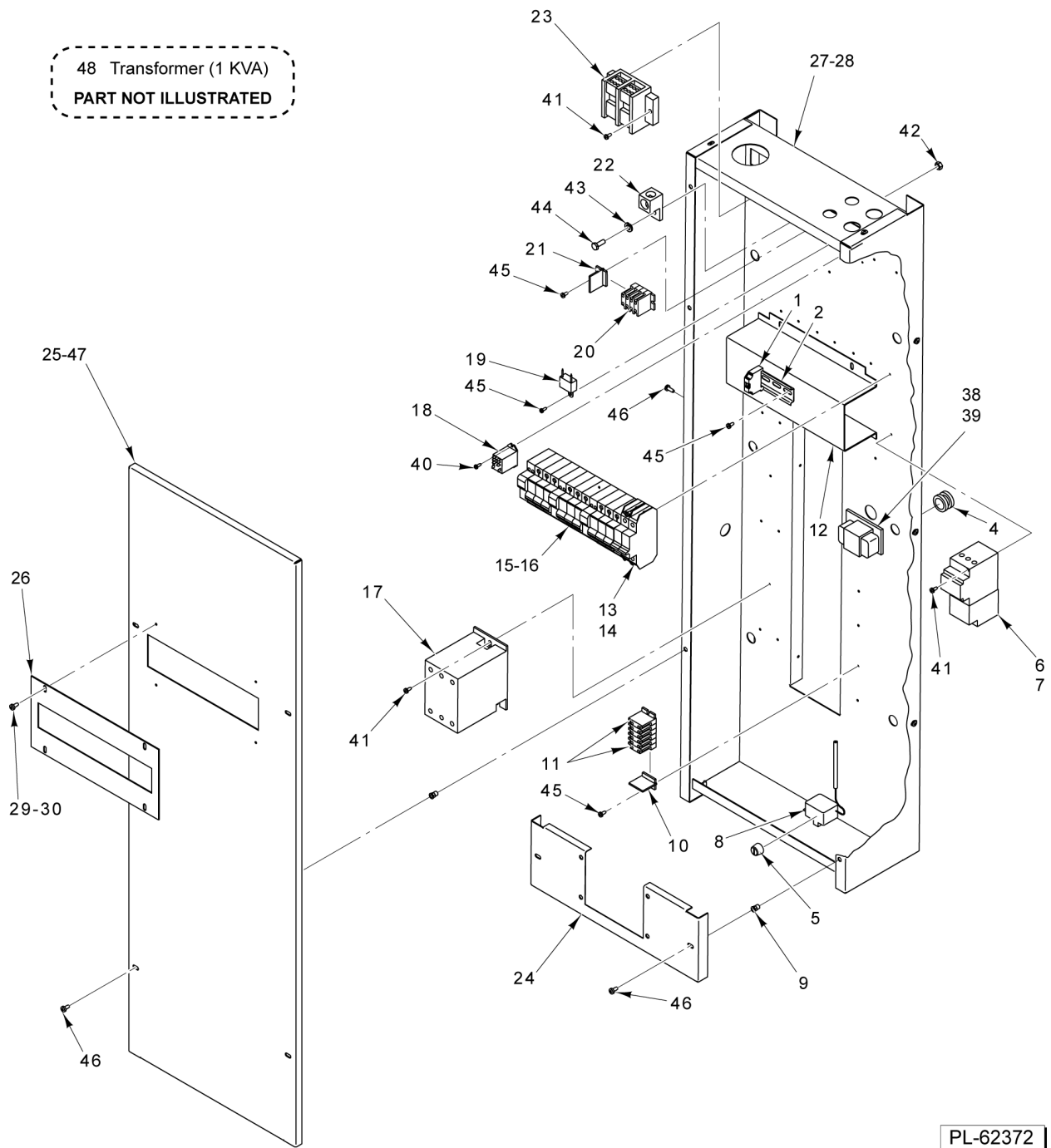


**HEATING ELEMENTS**

**HEATING ELEMENTS**

ILLUS.	PART NO.	NAME OF PART	AMT.
PL-62383			
1	01-1M5578-00001	Jumper - Heater.....	AR
2	01-100V10-0228A	Element - Heating (208 V., 2850 W., 3 Ph.).....	18
3	01-100V10-0228B	Element - Heating (240 V., 2850 W., 3 Ph.).....	18
4	01-1000V4-00426	Screw #10-16 x 3/4 Hex Hd. (Drill Tip) (SST).....	36
5	01-1M5411-00002	Channel - Element Support.....	2
6	01-1M5410-00001	Baffle - Rear Filler.....	1
7	01-1M5407-00002	Baffle - Side (RH).....	1
8	01-1000V4-00121	Insert - Threaded 10-32 Hex.....	8
9	01-1000V4-00400	Cap Screw 10-32 x 3/4 Hex Hd. (SST).....	6
10	01-1M5406-00001	Baffle - Corner Filler.....	1

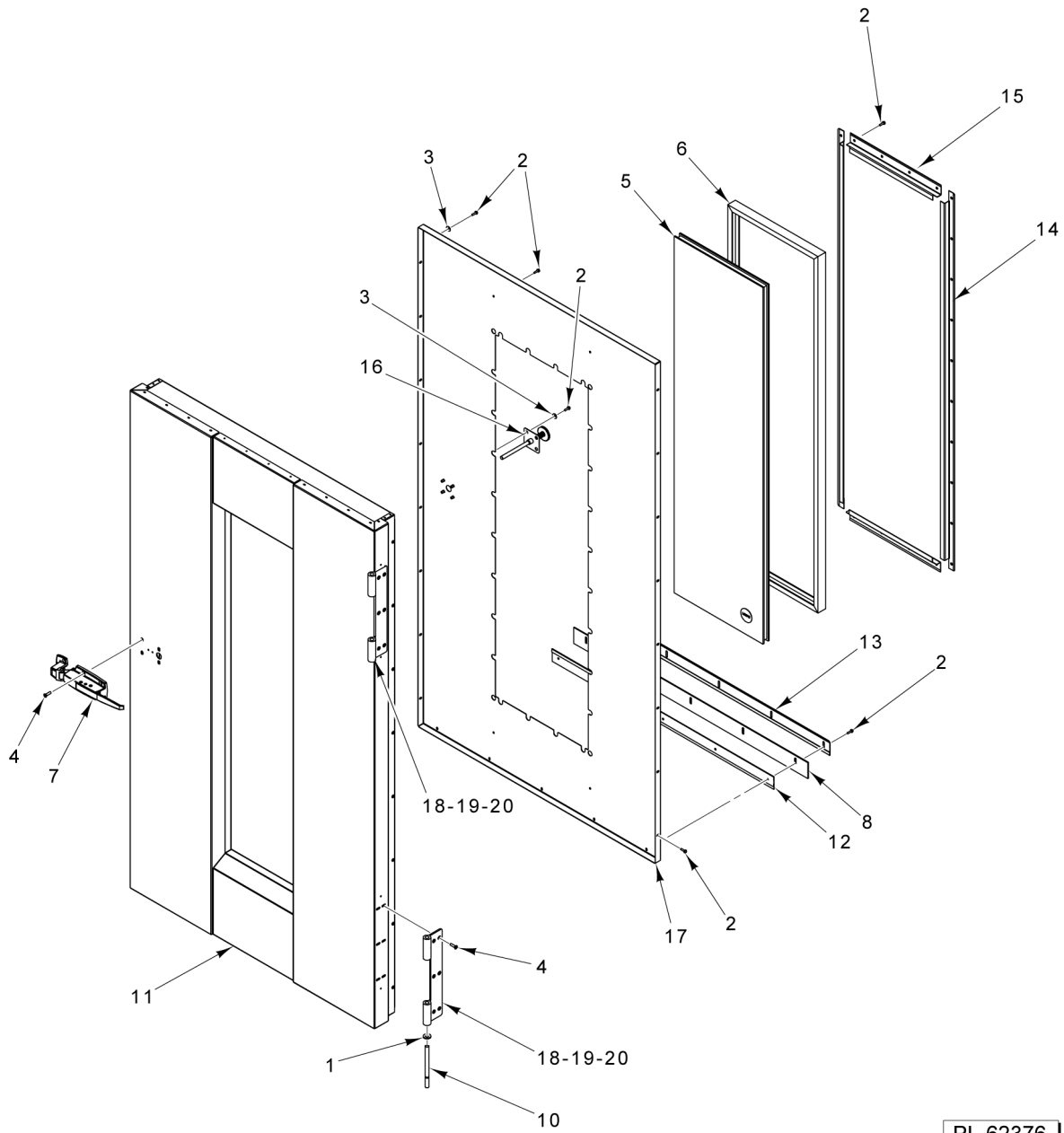
48 Transformer (1 KVA)  
PART NOT ILLUSTRATED



**COMPONENT BOX**

**COMPONENT BOX**

ILLUS. PL-62372	PART NO.	NAME OF PART	AMT.
1	01-1000V6-00252	End Stop - Din Rail.....	8
2	01-100V18-00115	Din Rail 9080-M H (12 In.).....	AR
4	01-1000V5-00059	Bushing - Snap 7/8 In. (Plastic).....	1
5	01-1000V6-00407	Cap - Hi-Limit.....	1
6	01-1M7548-00002	Contactor - Overload Assy. (4-6 Amp.) (208-240 V.).....	1
7	01-1M7549-00002	Contactor - Overload Assy. (1.6 - 2.5 Amp.) (380-415/440-480 V.).....	1
8	01-1M6165-00001	Kit, High Limit (608 Deg. F/320 Deg. C) - Manual Reset.....	1
9	01-1000V4-00121	Insert - Threaded 10-32 Hex.....	AR
10	01-1000V5-00106	Strip End - Terminal.....	AR
11	01-1000V5-00105	Strip - Terminal.....	AR
12	01-1M5418-00008	Bracket - Circuit Breaker.....	1
13	01-1000V6-00423	Circuit Breaker (10A) (1 Ph.).....	2
14	01-1000V6-00424	Circuit Breaker (13A) (1 Ph.).....	1
15	01-1M7547-00001	Kit - Breaker Replacement (32/35 Amp.) (380-415/440-480 V.) (With 120 V. UV Breaker).....	3
16	01-1M7546-00001	Kit - Breaker Replacement (63 Amp.) (208-240 V.) (With 120 V. UV Breaker).....	3
17	01-1000V6-00348	Contactor (3-Pole) (50 Amp.).....	3
18	01-1000V6-00271	Relay - D.P.D.T. (1/2 Hp., 120 VAC).....	1
19	01-100V10-00242	Filter - EMI.....	1
20	01-1000V5-00105	Strip - Terminal.....	6
21	01-1000V5-00106	Strip End - Terminal.....	1
22	01-1000V5-00101	Lug - Grounding.....	1
23	01-1000V5-00063	Power Distribution Block.....	1
24	01-1M5418-00002	Cover - Electric Component Box (Bottom).....	1
25	01-1M5418-00009	Cover - Electric Box Assy. (Incls. Items 26, 29, 30, & 47).....	1
26	01-1M5418-00010	Cover - Circuit Breaker.....	1
27	01-1M5828-0001F	Module - Electric (208-240 V./60/3) (Incls. Items 1, 2, 4, 6, 8 thru 14, 16 thru 26, 38, & 40 thru 46).....	1
28	01-1M5828-0002F	Module - Electric (440-480 V./60/3) (Incls. Items 1, 2, 4, 7 thru 15, 17 thru 26, 38, & 40 thru 46).....	1
29	01-1000V4-00434	Washer - Flat #10 (SST).....	4
30	01-1000V4-00474	Screw 10-32 x 1/2 Hex Washer Hd. (Zinc).....	AR
38	01-100V10-00278	Transformer (5 VA) (120-24 V.).....	1
39	01-1M2734-00001	Plate - Transformer.....	1
40	01-1000V4-00515	Screw - Sheet Metal, Pan Hd. 6-32 x 3/8 (Zinc).....	AR
41	01-1000V4-00630	Screw Pan Hd. Phil. #8-32 x 3/4.....	AR
42	01-1000V4-00330	Nut, Hex 1/4-20 (Zinc).....	AR
43	01-1000V4-00470	Lockwasher 1/4 In. (SST).....	AR
44	01-1000V4-00417	Mach. Screw Hex Hd. 1/4-20 x 3/4 In. (Zinc).....	AR
45	01-1000V4-00631	Screw Pan. Hd. #8-32 x 3/8 (Zinc).....	AR
46	01-1000V4-00429	Screw Pan Hd. Phil. #10-32 x 1/2 (Zinc).....	AR
47	01-1M5418-00901	Cover - Electric Box.....	1
48	01-100V10-00119	Transformer (1 KVA) (Export) (Located On Lift / Rack Assy.).....	1



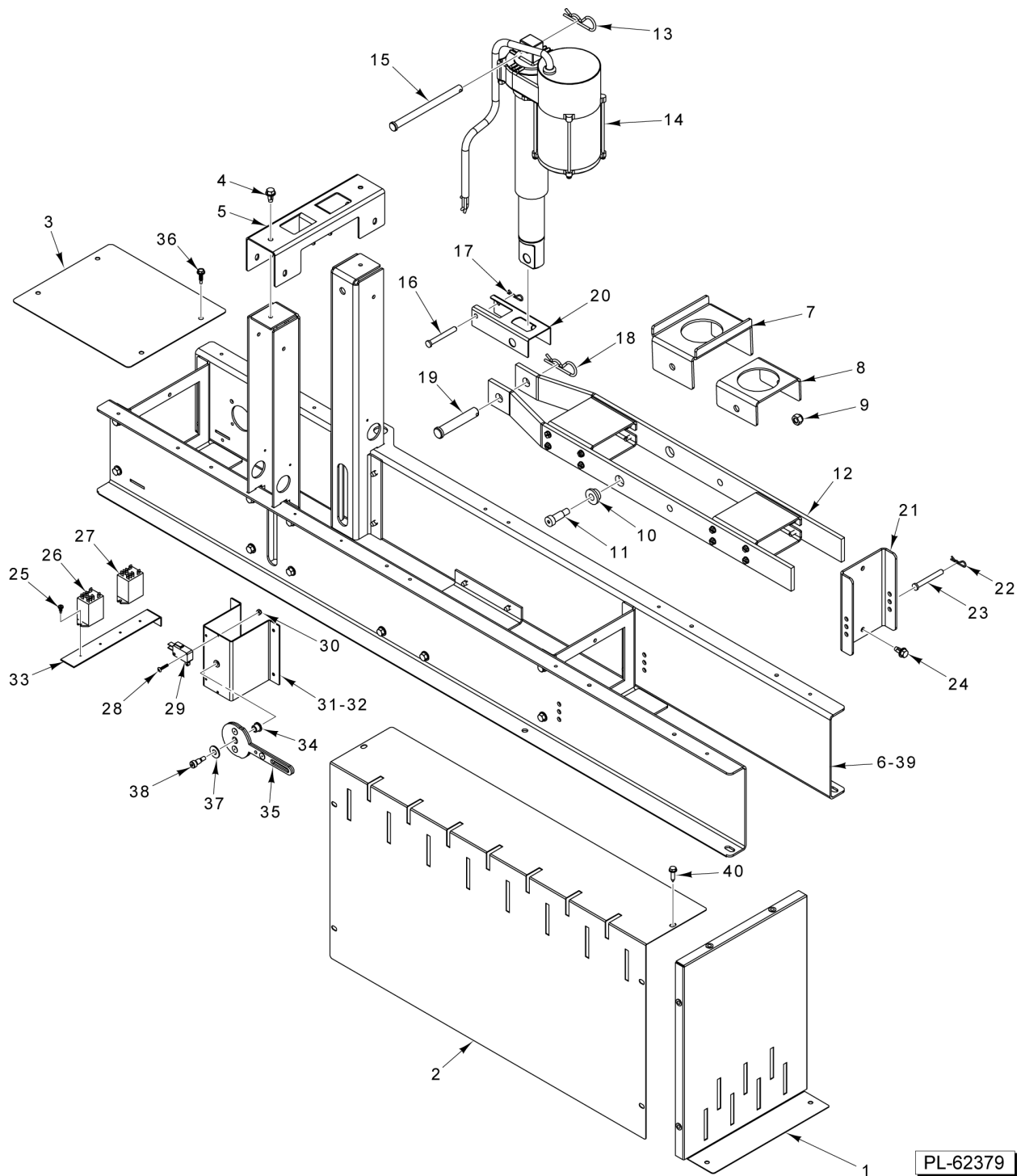
PL-62376

**LOADING DOOR**

**LOADING DOOR**

ILLUS.	PART NO.	NAME OF PART	AMT.
PL-62376			
1	01-1000V0-00080	Bearing - Door Hinge (Brass).....	4
2	01-1000V4-00284	Screw 10-32 x 3/4 Hex Washer Hd., Serrated Flange (SST).....	AR
3	01-1000V4-00434	Washer - Flat #10 (SST).....	AR
4	01-1000V4-00499	Mach. Screw 1/4-20 x 1" Phillips Flt Hd (W/Patch) (SST).....	1
5	01-100V16-00765	Glass - Double Pane.....	1
6	01-100V16-00766	Gasket - Window (One-Piece Fused Corners).....	1
7	01-100V16-01160	Latch - Loading Door.....	1
8	01-100V16-0779B	Gasket - Door Sweep.....	1
9	01-100V21-0065A	Tape - Fiberglass (1/8 x 1).....	AR
10	01-1M5918-00201	Pin - Hinge Loading Door.....	4
11	01-1M7647-00002	Loading Door Assy. (Crated).....	1
12	01-1M6101-00202	Sweep - Inner Door.....	1
13	01-1M6101-00203	Sweep - Outer Door.....	1
14	01-1M6105-00101	Retainer - Door Glass (Ver. Ext).....	2
15	01-1M6106-00201	Retainer - Door Glass (Horiz. Ext).....	2
16	01-1M7564-00001	Handle - Inner Push Button.....	1
17	01-1M7569-00002	Skin - Loading Door (Inner).....	1
18	01-1M5918-00301	Hinge - Door (Female).....	2
19	SC-117-97	Cap Screw 1/2-13 x 1 Hex Hd.....	4
*20	01-1M5918-00004	Hinge Kit (Incls. Items 1, 10, 18, & 19).....	2

\* Kit includes quantity for one hinge assembly

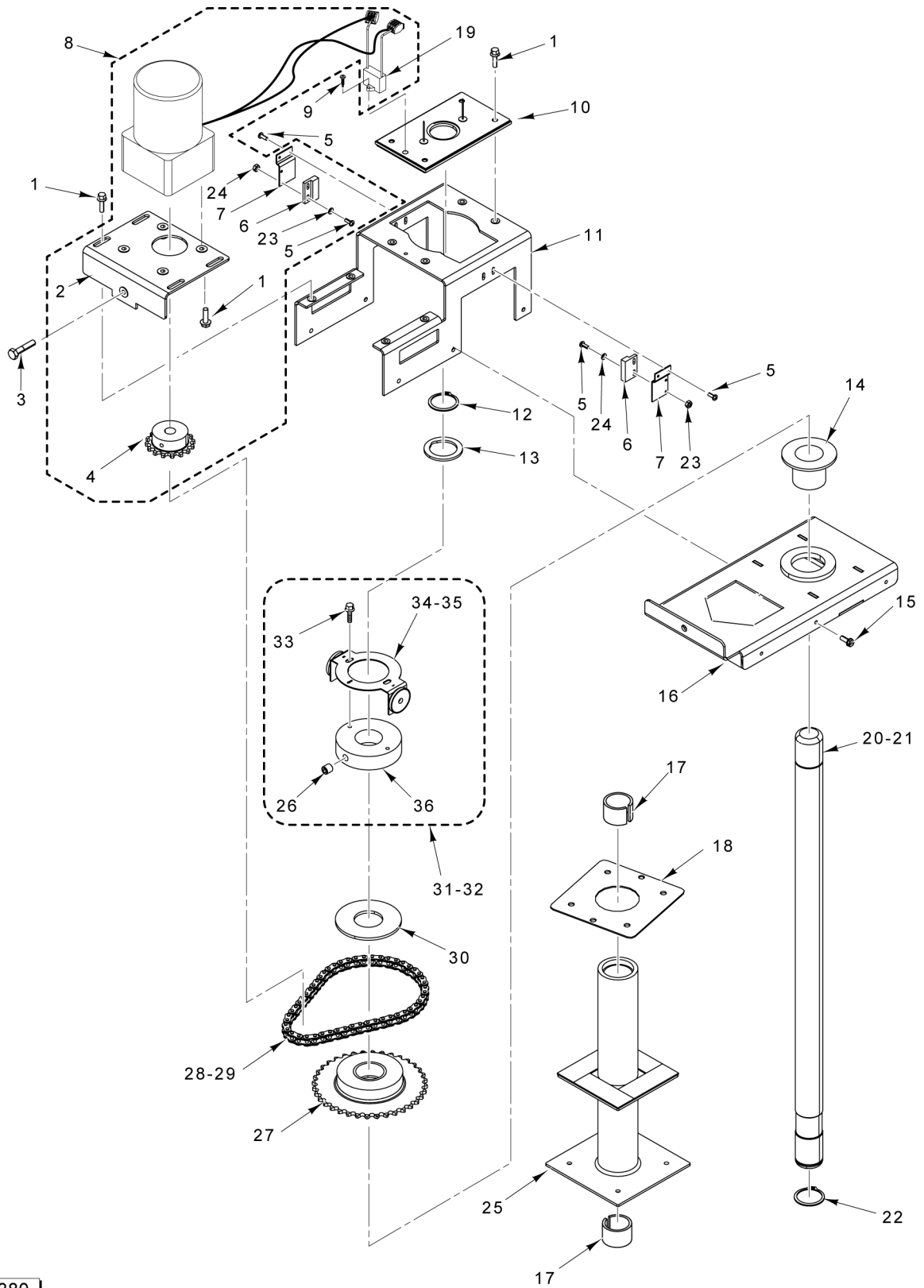


PL-62379

**LIFTER**

## LIFTER

ILLUS. PL-62379	PART NO.	NAME OF PART	AMT.
1	01-1M6608-00001	Cover - Front/Back.....	2
2	01-1M6608-00002	Cover - Side.....	2
3	01-1M6608-00004	Cover - Front.....	1
4	01-1000V4-00436	Screw 1/4-20 x 1/2 Hex Hd.....	6
5	01-1M7544-00101	Bracket - Support.....	1
6	01-1M7544-00002	Body - Rack Lift Assy. (Incls. Items 4 & 5).....	1
7	01-1M6601-00103	Support - Rotator.....	1
8	01-1M6601-00104	Support - Rotator.....	1
9	01-1000V4-00380	Nut 5/16-18 NYLOCK.....	2
10	01-1000V0-00121	Bearing.....	2
11	01-1000V4-00379	Bolt - Shoulder.....	2
12	01-1M6601-00001	Lifting Arm Assy.....	1
13	01-1000V1-0086A	Pin - Cotter.....	1
14	01-1M7699-00001	Kit - Actuator W/ Bracket.....	1
15	01-1000V1-00108	Pin 3/8 x 5 In.....	1
16	01-1000V1-00087	Pin - Clevis (1/4 x 2 In.).....	1
17	01-1000V1-0087A	Pin.....	1
18	01-1000V1-0086A	Pin - Cotter.....	1
19	01-1000V1-00109	Pin - Clevis (1/2 x 2-3/4 In.).....	1
20	01-1M7551-00101	Bracket - Lift Actuator.....	1
21	01-1M6600-00203	Bracket - Support.....	1
22	01-1000V1-0087A	Pin.....	2
23	01-1000V1-00087	Pin - Clevis (1/4 x 2 In.).....	2
24	01-1000V4-00436	Screw 1/4-20 x 1/2 Hex Hd.....	2
25	01-1000V4-00510	Screw Mach. - Pan Head (6-20 x 0.375).....	4
26	01-1000V6-00271	Relay - D.P.D.T. (1/2 Hp., 120 VAC).....	1
27	01-1000V6-00297	Relay - DPDT 1/2 HP. (24V Coil).....	1
28	01-1000V4-00461	Screw 4-40 x 5/8 (SST).....	4
29	01-1000V6-00343	Switch - Lever SPST.....	2
30	01-1000V4-00355	Nut.....	4
31	01-1M6603-00001	Bracket Assy. - Switch.....	1
32	01-1M6630-00002	Harness - Rack Lift.....	1
33	01-1M6600-00104	Bracket - Relay.....	1
34	01-1000V0-00139	Bearing - Flanged Sleeve.....	1
35	01-1M7551-00102	Cam - Lift Switch (B & C Style).....	AR
36	01-1000V4-00400	Cap Screw 10-32 x 3/4 Hex Hd. (SST).....	AR
37	01-1000V4-00433	Washer 1/4 In. (SST).....	1
38	01-1000V4-00572	Shoulder Screw, #10-32 X 3/8 Thread Length, .25 DIA X 3/8 Shoulder Length.....	1
39	01-1M7551-00002	Rack Lift Assy. (B & C Style) (Incls. Items 6, 12 thru 25, 32 thru 35, 37 & 38).....	1
40	01-1000V4-00426	Screw #10-16 x 3/4 Hex Hd. (Drill Tip) (SST).....	AR

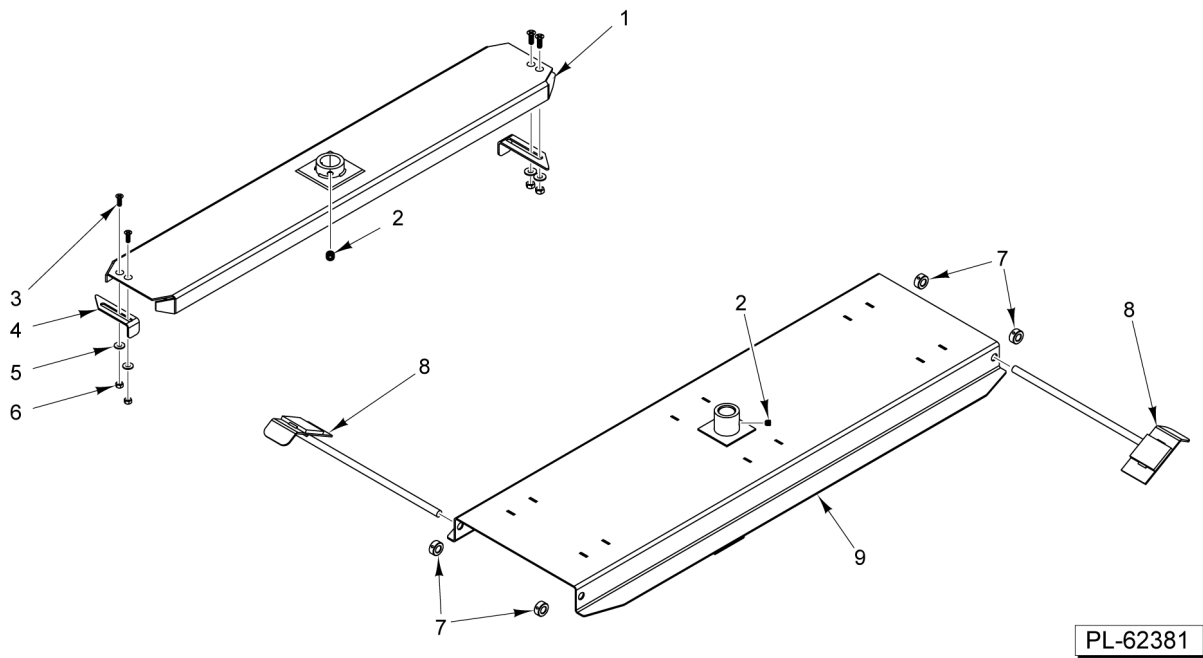


PL-62380

**ROTATOR**

## ROTATOR

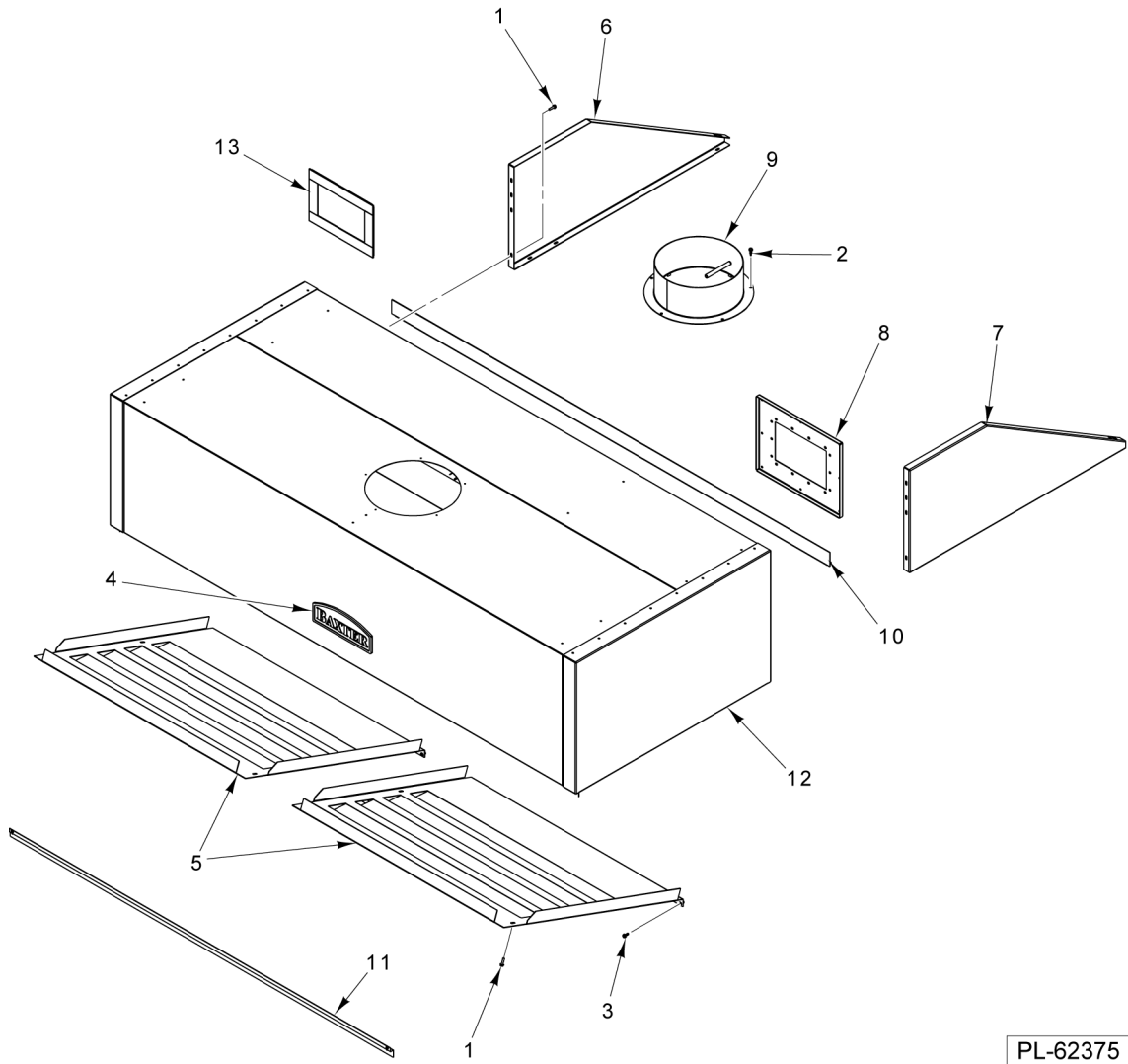
ILLUS. PL-62380	PART NO.	NAME OF PART	AMT.
1	01-1000V4-00284	Screw 10-32 x 3/4 Hex Washer Hd., Serrated Flange (SST).....	AR
2	01-1M6607-00002	Bracket - Motor Mounting.....	1
3	01-1000V4-00564	Screw, Sheet Metal Hex Hd. W/ Washer 1/4-20 x 1 (SST).....	1
4	01-1000V3-00105	Sprocket (17T).....	1
5	01-1000V4-00515	Screw - Sheet Metal, Pan Hd. 6-32 x 3/8 (Zinc).....	8
6	01-1M5777-00101	Switch (Magnetic).....	2
7	01-1M6604-00106	Bracket - Rotate Switch.....	2
8	01-1M7318-00001	Rotation Motor Assy. (Incls. Items 5 thru 7, 23, & 24).....	1
9	01-1000V4-00542	Screw - Phil. Hd. 8-18 x 3/4 (Zinc).....	1
10	01-1M6606-00002	Shaft Alignment Assy.....	1
11	01-1M6604-00201	Bracket - Mounting.....	1
12	01-1000V1-00085	Snap Ring.....	1
13	01-1M6704-00001	Shim - Carrier (Height Adjustment).....	1
14	01-1000V0-00114	Bearing - Flange.....	1
15	01-1000V4-00385	Screw - Sheet Metal, Hex Hd. 10-16 x 3/4 (SST).....	AR
16	01-1M6605-00001	Rotator - Lifter.....	1
17	01-1M7464-00001	Kit - Bearing (Shaft Housing) (Shaft Housing).....	1
18	01-1M6715-00001	Clamp - Rotator Housing.....	1
19	01-1000V8-0177C	Capacitor, Motor Run - (4uF/250VAC).....	1
20	01-1M6604-00105	Shaft - Rotator (B Style).....	1
21	01-1M6604-00305	Shaft - Rotator (C Style).....	1
22	01-1000V1-00085	Snap Ring.....	1
23	01-1000V4-00585	Flat Washer.....	4
24	01-1000V4-00586	Nut.....	4
25	01-1M6662-00001	Housing - Shaft (Incls. Bearing).....	1
26	01-1000V4-00161	Screw, Set - Allen (3/8-16).....	1
27	01-1M6610-00001	Sprocket - Rotator.....	1
28	01-1000V3-0087A	Chain - Roller 20-1/8 In.....	1
29	01-1000V3-00088	Link - Connecting.....	AR
30	01-1M6604-00104	Clutch - Slide.....	1
31	01-1M6629-00003	Magnet Switch Assy. (One Magnet) (A Style Double Rack) (C Style Single Rack) (Incls. Items 26, 33 thru 36).....	1
32	01-1M6629-00004	Magnet Switch Assy. (Two Magnets) (B Style) (C Style Single Rack) (Incls. Items 26, 33 thru 36).....	1
33	01-1000V4-00284	Screw 10-32 x 3/4 Hex Washer Hd., Serrated Flange (SST).....	2
34	01-1M6880-00003	Pointer Assy. (One Magnet) (A Style Double Rack) (C Style Single Rack).....	1
35	01-1M6880-00004	Pointer Assy. (Two Magnets) (B Style) (C Style Double Rack).....	1
36	01-1M6604-00103	Collar, Set - Rotator.....	1



**CARRIER**

**CARRIER**

<b>ILLUS.</b>	<b>PART NO.</b>	<b>NAME OF PART</b>	<b>AMT.</b>
<b>PL-62381</b>			
1	01-1M6770-00004	Carrier (C Style) (Double Rack) (33 In. Stops) (Incls. Items 2 thru 6).....	1
2	01-1000V4-00654	Screw - Set 3/8-24 x 3/8 (Knurled Tip).....	2
3	01-1000V4-00074	Mach. Screw 1/4-20 x 3/4 Phil. Flat Hd.....	4
4	01-1M4862-00101	Latch - Carrier.....	2
5	01-1000V4-00433	Washer 1/4 In. (SST).....	4
6	01-1000V4-00599	Nut 1/4 In. (SST) (Toplock, Vibration Resistant).....	4
7	01-1000V1-00013	Collar - Set 1/2 In. Dia.....	4
8	01-1M2580-00002	Stop - Rack Carrier (B Style Carrier).....	2
9	01-1M7630-00002	Carrier (B Style) (Double Rack) (15.60 In. Wide) (Incls. Items 2, 7, & 8).....	1



PL-62375

**HOOD - TYPE II**

**HOOD - TYPE II**

ILLUS.	PART NO.	NAME OF PART	AMT.
PL-62375			
1	01-1000V4-00284	Screw 10-32 x 3/4 Hex Washer Hd., Serrated Flange (SST).....	AR
2	01-1000V4-00385	Screw - Sheet Metal, Hex Hd. 10-16 x 3/4 (SST).....	AR
3	01-1000V4-00386	Screw Hex Hd. 10-32 x 1/2 In. (SST).....	AR
4	01-100V16-0772A	Nameplate - Baxter Flat (9 In.).....	1
5	01-1M7588-00002	Baffle.....	2
6	01-1M7593-00001	Trim - Hood (LH).....	1
7	01-1M7594-00001	Trim - Hood (RH).....	1
8	01-1M7587-00001	Seal Plate - Over Pressure Assy.....	1
9	01-1M7618-00002	Collar - Duct.....	1
10	01-1M7595-00205	Bracket - Mount.....	1
11	01-1M7595-00204	Bracket - Split Baffle.....	1
*12	01-1M7597-00002	Hood - Type II (Crated) (30 In.).....	1
13	01-1M7704-00001	Cover Plate - Exhaust Duct.....	1

\* Order with 01-1M7704-00001 Qty. 1

