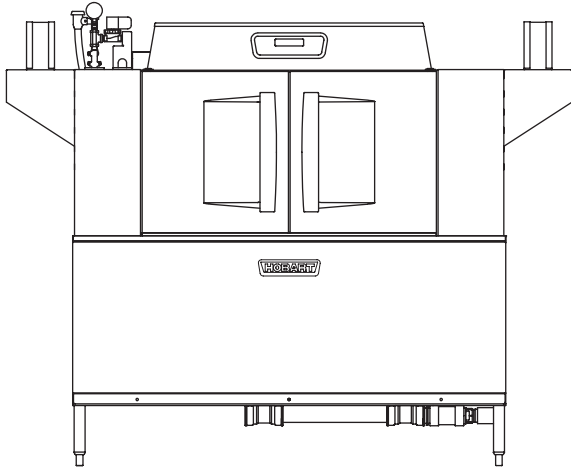




Project _____
 AIA # _____ SIS # _____
 Item # _____ Quantity _____ C.S.I. Section 114000



CL64eN-EGR ELECTRIC High Temperature Rack Conveyor Dishwashing Machine



SPECIFIER STATEMENT

Specified dishwasher will be Hobart CL64eN Energy Recovery electric tank heat model with drain water energy recovery (DWER), and Opti-Rinse™. Includes 342 racks per hour capacity, insulated ergonomic cabinet style doors, dirty water indicator, configurable “intelligent” de-lime notification, top mounted computer controls, and NSF approved pot and pan cycle mode. The wash tank utilizes durable precision pressure sensor monitors in lieu of conventional mechanical floats. The 19.5" standard chamber height will accommodate up to (6) standard sheet pans at a time on an open-end sheet pan rack.

STANDARD FEATURES

- + 342 racks per hour
- + Drain water energy recovery (DWER)
- + Opti-Rinse™ system
- + Rapid return conveyor drive mechanism
- + Internal stainless steel pressure-less 30 KW booster heater
- + Large double door opening for ease of cleaning
- + Doors are insulated & hinged with door interlock switches
- + 19.5" chamber height opening (accepts sheet pans)
- + Top mounted micro-processor control module
- + Energy saver mode (programmable auto-shut down)
- + Dirty water indicator
- + Manager activated low temperature alert
- + NSF rated configurable pot and pan dwell mode
- + Configurable “intelligent” delime notification
- + Service diagnostics
- + Self-aligning wash manifolds
- + Stainless steel anti-clogging wash arms
- + Removable pump intake screen
- + Stainless steel self-draining pump and impeller
- + Single, sloping scrap screen and deep scrap basket
- + Stainless panels enclose perimeter and bottom
- + Door actuated drain closure
- + Convertible hot water or low temp final rinse
- + Vent fan control
- + Booster heater control
- + ENERGY STAR® Certified

OPTIONS & ACCESSORIES (Available at extra cost)

- Standard, short, and extended stainless steel vent hoods
- Direct drive unloader – adds 38" length. Reference spec F39520 for more details
- Side loader – SL23 adds 23" length, SL30 adds 30" length. Reference specs F40926 and F40927 for more details
- Blower-dryer – adds 33¼" to length. Reference spec F40252 for more details (ships separate from dishmachine, contact Hobart Service for installation)
- Flanged feet kit (requires two kits)
- Higher than standard chamber (24" opening)
- Table limit switch with 10' wire
- Correctional package (contact Hobart for details)
- Pressure regulator valve (PRV), for use with external booster
- Water shock absorber kit
- Factory-mounted circuit breakers (contact Hobart for details)
- Common electrical connection (see page 4)

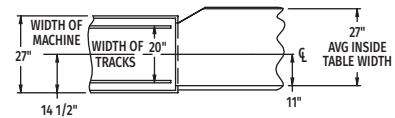
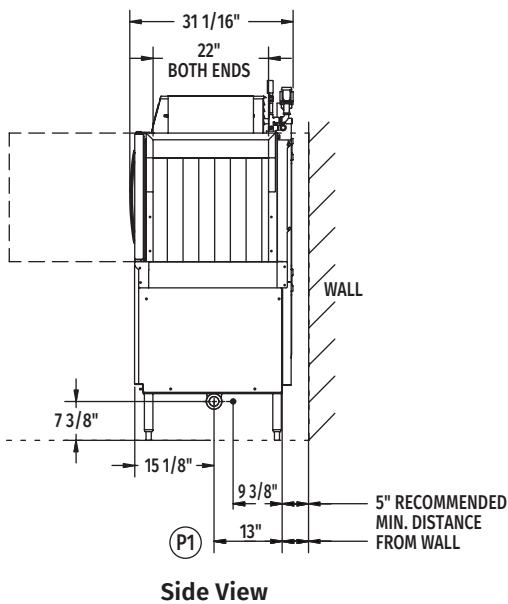
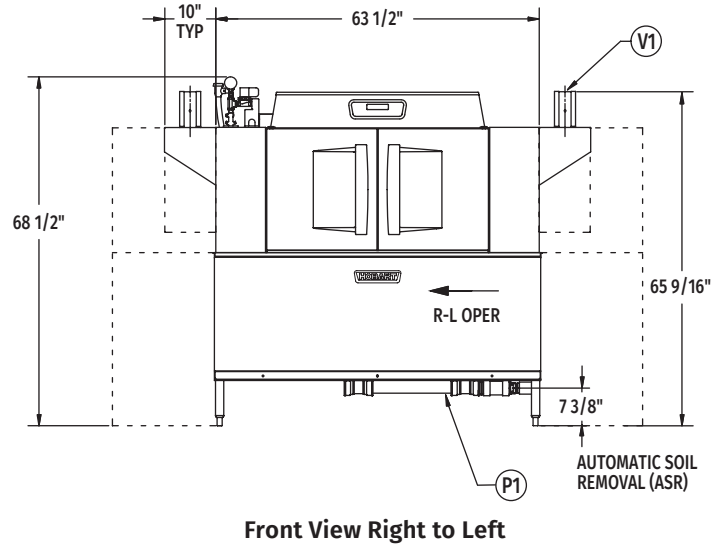
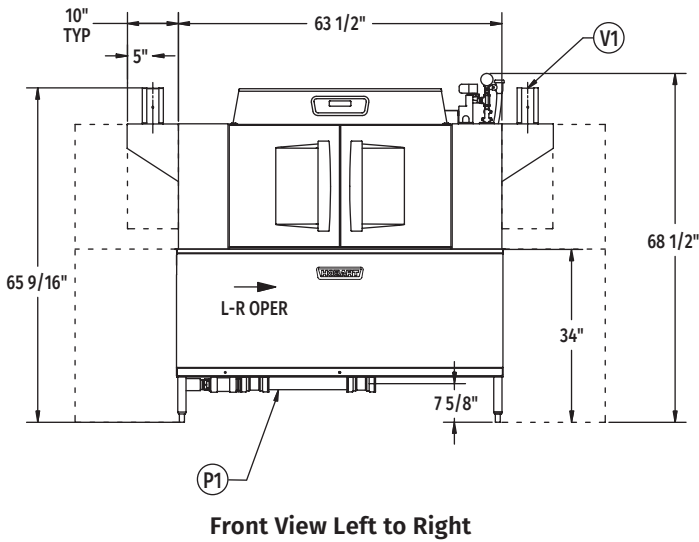
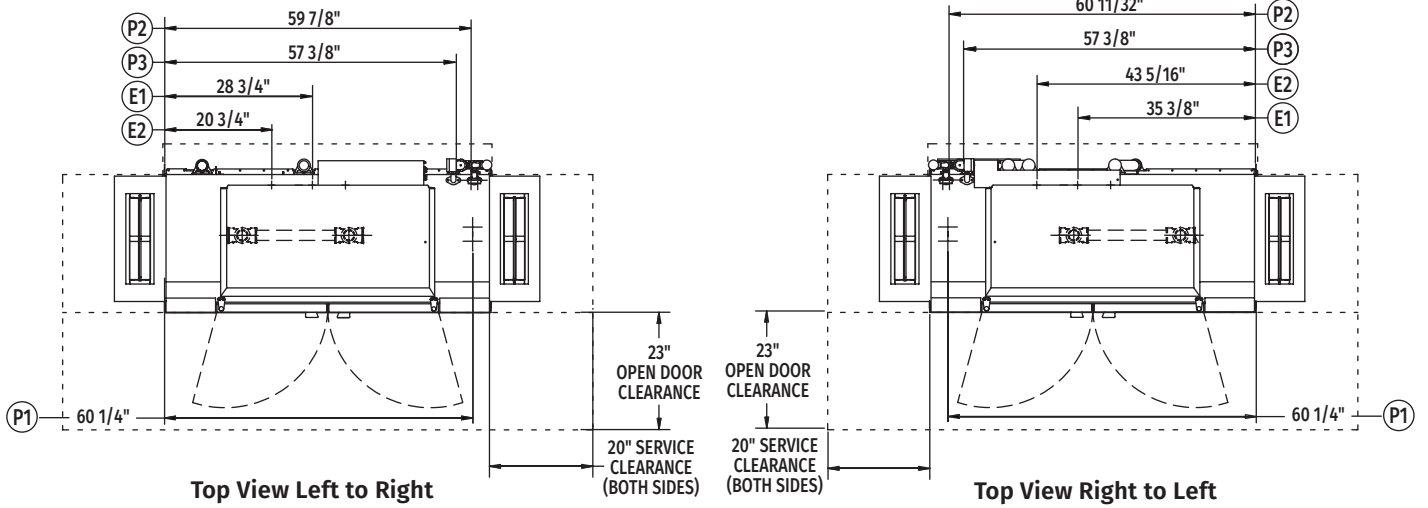
CLEAN SERIES – CL64eN-EGR ELECTRIC

Approved by _____ Date _____ Approved by _____ Date _____

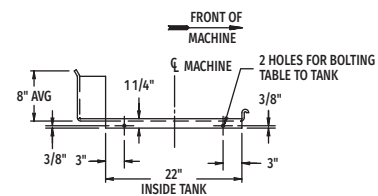


CL64eN-EGR ELECTRIC

High Temperature Rack Conveyor Dishwashing Machine



Suggested Track and Table Layout



View Showing Hole Locations in Turned Down Portion of Table

MODEL- CL64eN ENERGY RECOVERY
L-R OPERATION
D-974805
REV B

MODEL- CL64eN ENERGY RECOVERY
R-L OPERATION
D-974804
REV B



CL64eN-EGR ELECTRIC

High Temperature Rack Conveyor Dishwashing Machine

LEGEND

| Electrical Connections | |
|---|---|
| E1 | Motors, controls, and electric tank heat 1-1/4" or 2" conduit, 63-3/4" AFF. |
| E2 | Internal electric booster 1-1/4" or 2" conduit, 63-3/4" AFF. |
| NOTE: Common electrical connection (single point) available, see page 4 for details. | |
| Plumbing Connections | |
| P1 | Drain. May be drained to either side of valve, plug opposite side 2" FPT. Recommend a floor drain minimum of 12" from machine for access and maintenance. 7-3/8" AFF. |
| P2 | Hot water. 1/2" FPT connection. 1/2", 11-3/16" AFF. See plumbing notes for required temperatures. |
| P3 | Cold water connection 1/2" FPT, cold water temperature 80°F, maximum 7-3/8" AFF. |
| Vent Connections | |
| V1 | Optional vent hoods, 4" x 16" vent stack with damper. |

SPECIFICATIONS

Capacities

| | |
|----------------------------------|-----|
| Racks Per Hour (NSF rated) | 342 |
| Wash Tank (U.S. gallons) | 23 |
| Rinse Tank (U.S. gallons) | 22 |
| Conveyor Speed (feet per minute) | 9.5 |

Motor Horsepower

| | |
|-------|-----|
| Drive | 1/6 |
| Wash | .2 |
| Rinse | .2 |

Water Consumption

| | |
|---|------|
| U.S. Gallons per Hour (maximum use at 20 PSI) | 132 |
| U.S. Gallons per Rack | 0.39 |
| Peak Drain Flow (U.S. gallons per minute) | 38 |

Heating

| | |
|--|----|
| Tank Heat, Electric (kW) | 25 |
| Electric Booster (built-in) (kW for 70°F rise) | 30 |

Venting

| | |
|--------------------------|-----|
| Load End (minimum CFM) | 200 |
| Unload End (minimum CFM) | 400 |

Shipping Weight (approximate)870 lbs.

Crated Dimensions.74"L x 38"W x 78"H

| E1 | Electrical Connection (3 PH only) Motors, Controls and Electric Tank Heat | | |
|--|--|---------------------------------|---------------------------|
| Voltage | Rated Amps | Minimum Supply Circuit Ampacity | Maximum Protective Device |
| 208/60/3 | 90.6 | 125 | 125 |
| 240/60/3 | 86.6 | 125 | 125 |
| 480/60/3 | 44.9 | 60 | 60 |
| 600/60/3 | 32.2 | 45 | 45 |
| NOTE: Electric tank heat can be split from motors & controls, see page 4 for details. | | | |

| E2 | Booster Heat 30 kW Minimum 110°F Incoming Water | | |
|----------|--|---------------------------------|---------------------------|
| Voltage | Rated Amps | Minimum Supply Circuit Ampacity | Maximum Protective Device |
| 208/60/3 | 83.9 | 90 | 90 |
| 240/60/3 | 80.2 | 90 | 90 |
| 480/60/3 | 40.1 | 50 | 50 |
| 600/60/3 | 33.7 | 40 | 40 |

WARNING: Plumbing and electrical connections should be made by qualified personnel who will observe all the applicable plumbing, sanitary, safety codes and National Electrical Code.

Plumbing Notes: Minimum incoming water temperatures: 110°F for 30kW internal booster. Building flowing water pressure to dish machine is 20 PSI (+/- 5 PSI).

Single cold water connection supplies both drain water energy recovery and drain water tempering.

| CL64eN-EGR Electric Heat Dissipation | |
|--------------------------------------|----------|
| BTU/HR. | |
| Latent | Sensible |
| 52,100 | 22,300 |



CL64eN-EGR ELECTRIC

High Temperature Rack Conveyor Dishwashing Machine

COMMON ELECTRICAL CONNECTION (SINGLE POINT) – CONTACT FACTORY FOR ADDITIONAL INFORMATION

| Common Electrical Connection (Includes Motors & Controls, Electric Wash Tank Heat, Electric Rinse Tank Heat & Electric Booster Heater) | | | |
|--|--------------------------|---------------------------------|---------------------------|
| Voltage | MACHINE AND 30kW BOOSTER | | |
| | Rated Amps | Minimum Supply Circuit Ampacity | Maximum Protective Device |
| 208/60/3 | 175 | 200 | 200 |
| 240/60/3 | 167 | 200 | 200 |
| 480/60/3 | 85 | 100 | 100 |
| 600/60/3 | 65.9 | 85 | 85 |

FIELD CONVERTIBLE SERVICE CONNECTIONS

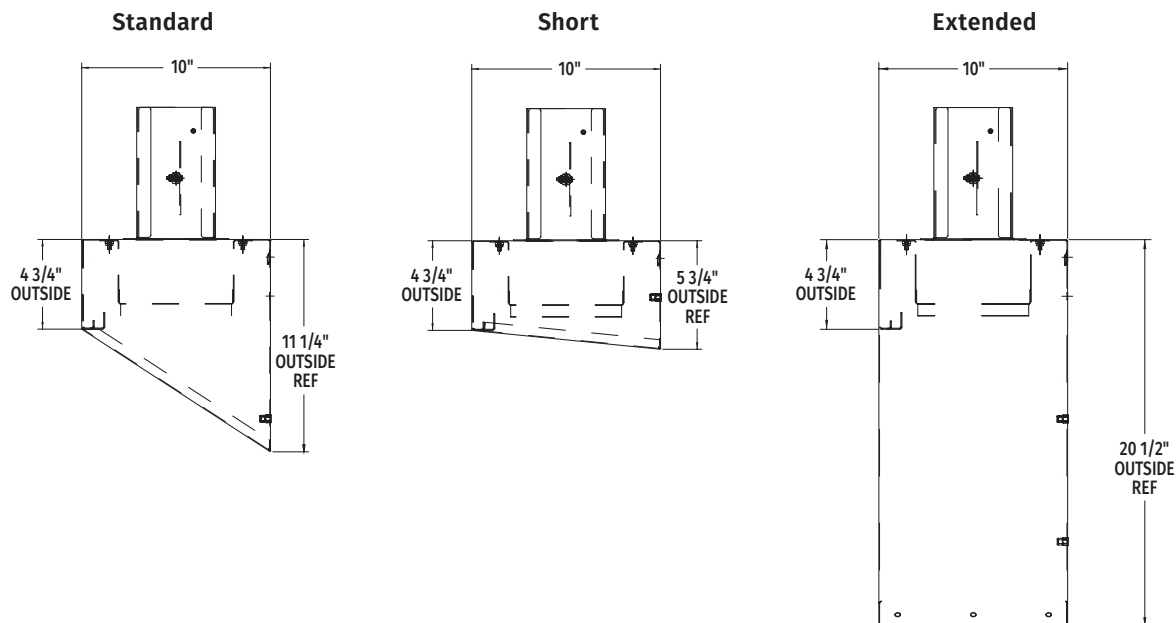
At time of installation, service connections for motors, controls, and electric tank heat can be split as necessary for installation.

| Separate Service Connection for 15 kW Wash Tank | | | |
|---|------------|---------------------------------|---------------------------|
| Voltage | Rated Amps | Minimum Supply Circuit Ampacity | Maximum Protective Device |
| 208/60/3 | 45.0 | 60 | 60 |
| 240/60/3 | 43.0 | 60 | 60 |
| 480/60/3 | 22.0 | 30 | 30 |
| 600/60/3 | 14.4 | 20 | 20 |

| Separate Service Connection for Motors & Controls | | | |
|---|------------|---------------------------------|---------------------------|
| Voltage | Rated Amps | Minimum Supply Circuit Ampacity | Maximum Protective Device |
| 208/60/3 | 15.6 | 20 | 20 |
| 240/60/3 | 15.1 | 20 | 20 |
| 480/60/3 | 9.1 | 20 | 20 |
| 600/60/3 | 8.2 | 15 | 15 |

| Separate Service Connection for 10 kW Rinse Tank | | | |
|--|------------|---------------------------------|---------------------------|
| Voltage | Rated Amps | Minimum Supply Circuit Ampacity | Maximum Protective Device |
| 208/60/3 | 30 | 40 | 40 |
| 240/60/3 | 28.6 | 40 | 40 |
| 480/60/3 | 14.3 | 20 | 20 |
| 600/60/3 | 9.6 | 15 | 15 |

VENT HOOD OPTIONS (Adjustable, vent stack can be adjusted 1" to either side)



As continued product improvement is a policy of Hobart, specifications are subject to change without notice.