



Project \_\_\_\_\_  
 AIA # \_\_\_\_\_ SIS # \_\_\_\_\_  
 Item # \_\_\_\_\_ Quantity \_\_\_\_\_ C.S.I. Section 114000



## SINK INTEGRATION SYSTEM For Door-Style Dishwashing Machines



### SPECIFIER STATEMENT

The specified system will include three components: Adjustable sink rail kit for 3 compartment sink, sink saddle & 3" leg extensions, fold down table & lock. In order for the system to function properly all three components shall be specified together.

**1 year parts and labor warranty.**

### STANDARD FEATURES

+ Sink Integration System allows easy integration into a variety of sink configurations.

#### SINK-RAIL – Adjustable Sink Rail Kit for 3-compartment sink

+ The Sink-Rail accessory allows for a customer to utilize their existing 3-compartment sink as the soiled table by acting as a rack guide and raising the height of the dish rack 2.5" so that it is flush with the lip of the sink and entrance of the dishmachine

+ Dimensions: 44"L x 18"W x 2.5"H

#### SADDLE/LEG-EXTN – Sink Saddle & 3" leg extension

+ The Sink Saddle connects the lip of the 3-compartment sink to the entrance of the dish machine.

+ The 3" leg extension includes four legs that are 3" higher than standard. This raises the height of the dish machine so that the entrance of the machine is flush with the lip of the sink.

#### FLD-DWN-TBL/LOCK – Fold Down Table & Lock

+ The Fold Down Table and Lock attaches to the clean side of the dish machine to act as the clean table.

+ The table can accommodate one 20" x 20" standard dish rack

+ For corner applications the table can be installed either on the front or side of the dish machine.

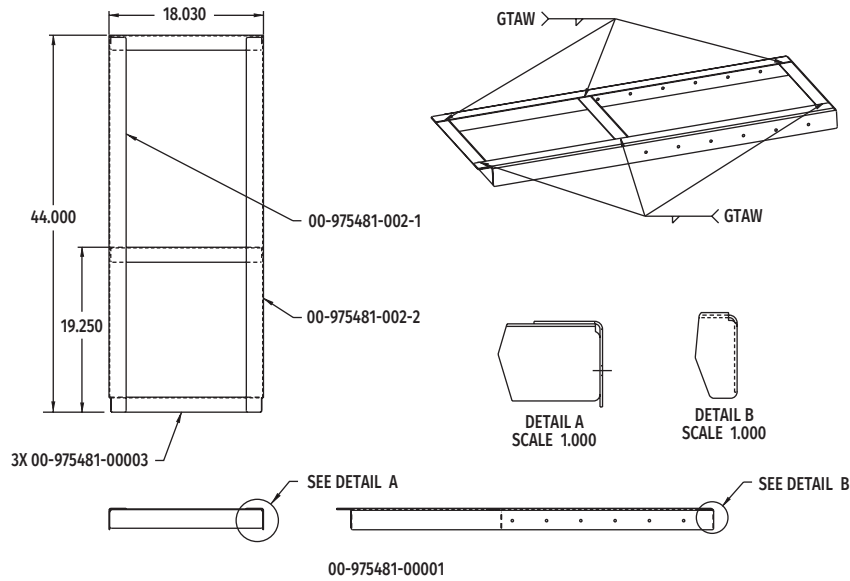
SINK INTEGRATION SYSTEM FOR DOOR-STYLE DISHWASHING MACHINES

Approved by \_\_\_\_\_ Date \_\_\_\_\_ Approved by \_\_\_\_\_ Date \_\_\_\_\_



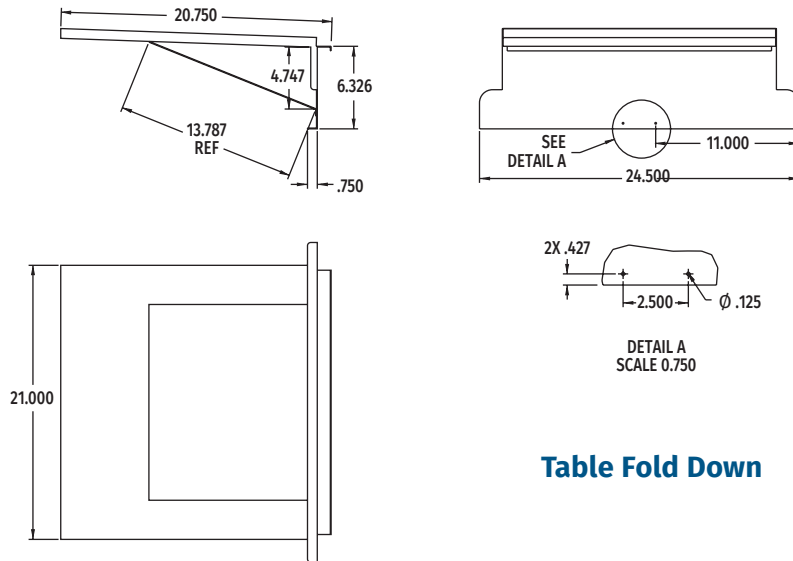
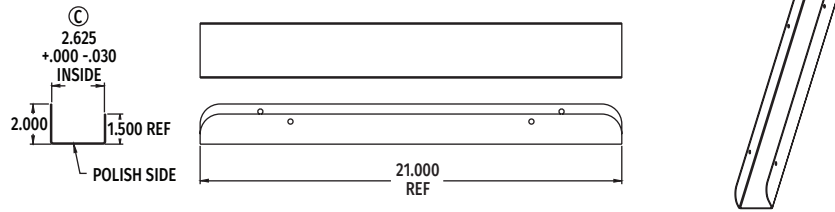
# SINK INTEGRATION SYSTEM

For Door-Style Dishwashing Machines



**Sink Rail**

**Saddle**



**Table Fold Down**

**Leg 3" Extension**

