



Project _____
 AIA # _____ SIS # _____
 Item # _____ Quantity _____ C.S.I. Section 114000



HWS-4-C Hand-Wrap Station

HWS-4-C HAND-WRAP STATION



**HTsP/HTiP
Hand-Wrap System with Color Touch Screen**



Access Scale Hand-Wrap System with Color Touch Screen

MODEL

- HWS-4-C** Hand-wrap station

STANDARD FEATURES

- + Flexible set-up
- + Easy to load film
- + 20" film capacity
- + Fingertip film selection
- + Low temperature film cut-off system
- + Angled sealing hot plate covered with non-stick removable cover
- + Stainless steel element
- + Heavy-duty 300 series stainless steel stand assembly
- + 2 stainless steel side shelves
- + Open scale area
- + Operates in all ambient temperatures
- + 12 hour timer for hot plate and cut-off rod to save electric
- + Convenient outlet provided for scale/printer power

ACCESSORIES (Available at extra cost)

- HWS-WRAPAD – Hand-wrap station aid
- ACCESS-HWSKIT – HWS post assembly plate for printer, USB cable and power cable for control panel
- QUANTMP-HWSPST – HWS single printer post, bracket and scale support

SPECIFIER STATEMENT

The Hobart hand wrapping system is designed for the operator to manually weight and wrap a package and then place the wrapper package on the heated sealing pad. A separate, remote printer (HTsP, HTiP, HTxP, EPCP-5i, EPCP-6x, EPP-3) will compute the price and print the label for the operator to manually apply to the package.

Approved by _____ Date _____ Approved by _____ Date _____



HWS-4-C Hand-Wrap Station

SPECIFICATIONS

Construction: Heavy-duty stainless steel frame.
36³/₄" H x 27"W x 27"D. Shelf 12⁵/₈"W x 28"D.

Hot Plate: 15" W x 6"D.

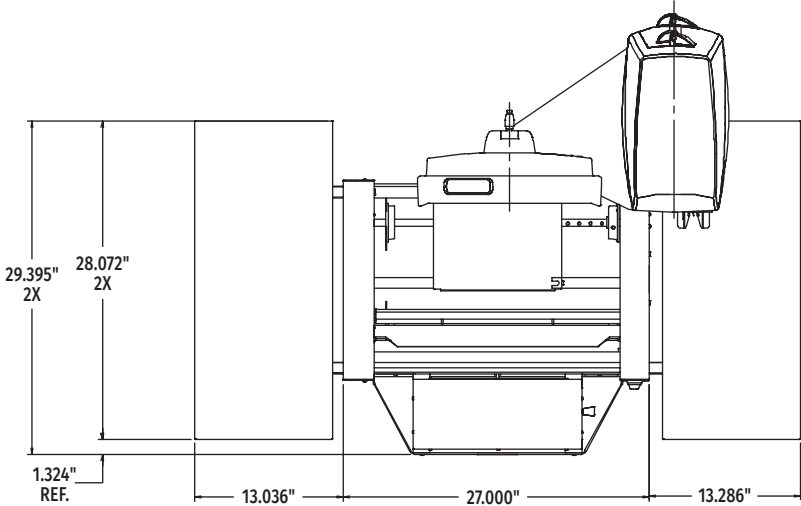
Film Holders: Two roll film selector. Capacity 10" diameter x 20" maximum.

Electrical: 120 Volts, 60 Hertz, single phase, 8.5 Amps.

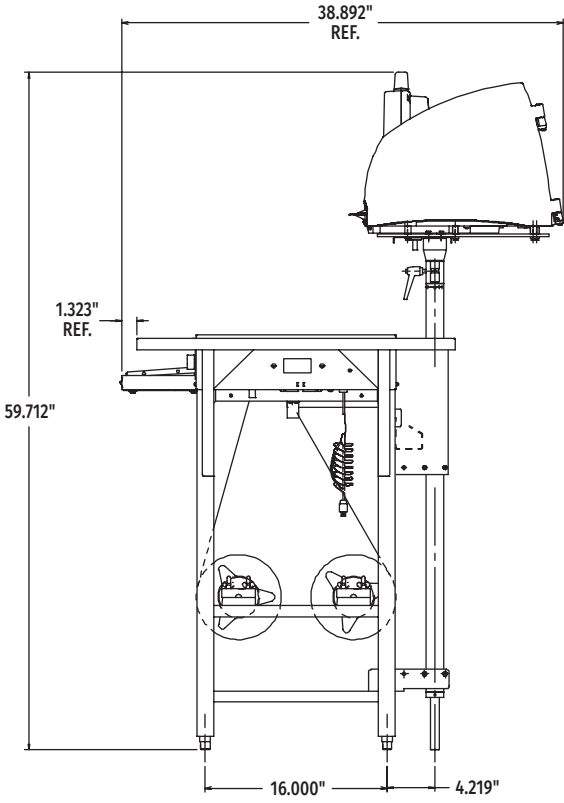
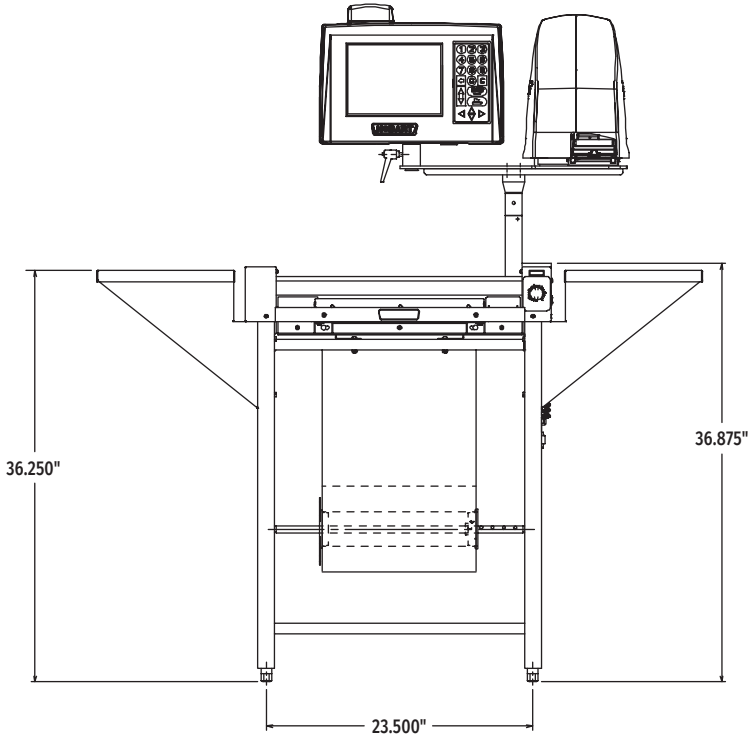
Shipping Weight: HWS – approximately 90 lbs.;
POST-LGSP – 4 lbs.; HWS-WRAPAD – 8 lbs.

NOTE: SCALE, PRINTER AND POST MUST BE ORDERED SEPARATELY.

DETAILS AND DIMENSIONS



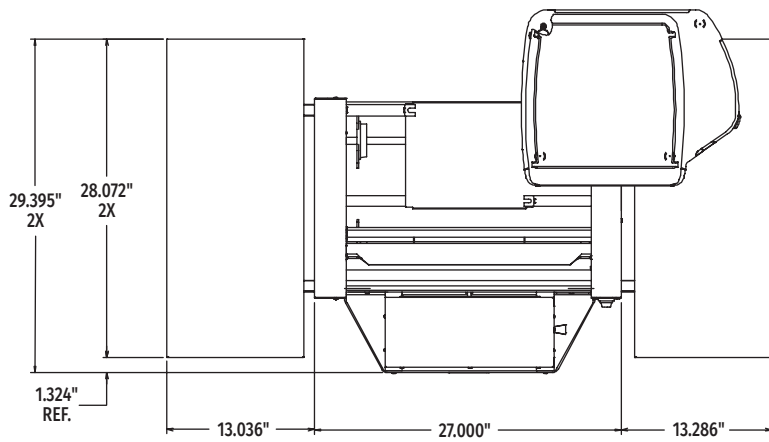
Access Hand-Wrap System



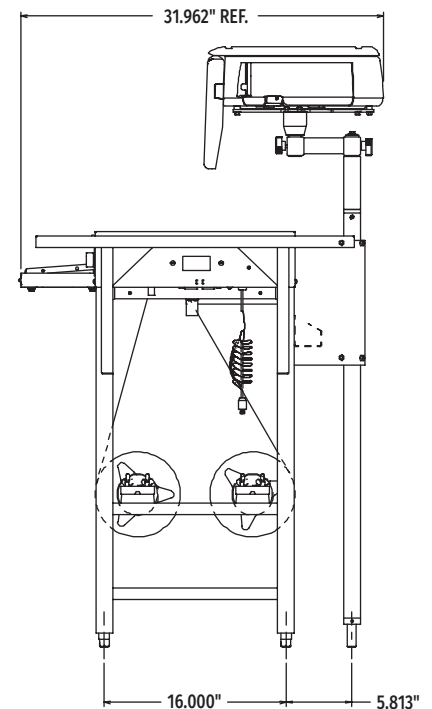
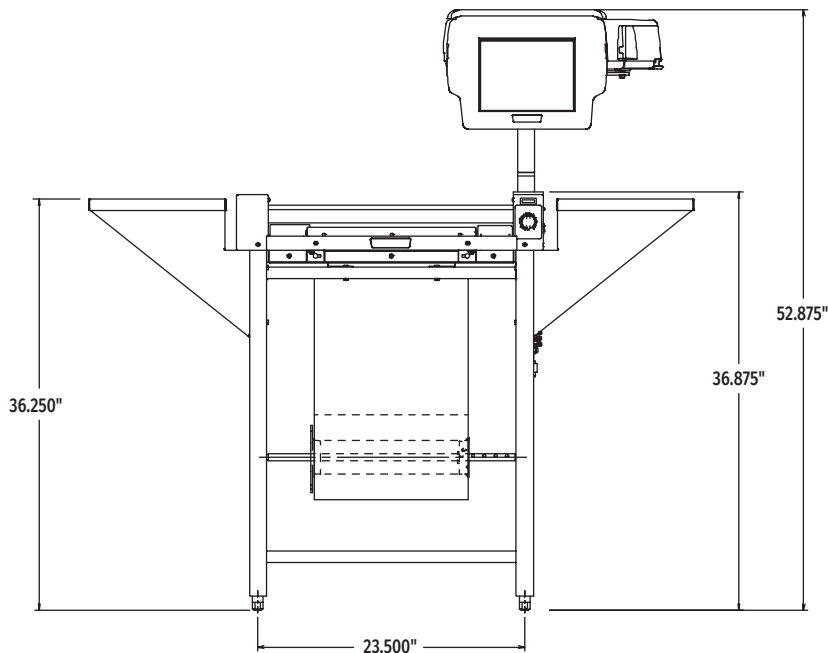
REMOTE SCALE OPTION SPECIFICATIONS

MODEL	CONSOLE	PRINTER	WEIGHER	CAPACITY
Access Hand-wrap System	EPCP-5i or EPCP-6x	EPP-3	EPSA-1	50 x 0.01 lb
Access Hand-wrap System	EPCP-5i or EPCP-6x	EPP-3	EPSA-2	30 x 0.01 lb
HT Hand-wrap System	HTsP or HTiP		SASCALE-1	50 x 0.01 lb
HT Hand-wrap System	HTsP, HTiP, or HTxP		SASCALE-2	12 x 0.005 lb, 30 x 0.01 lb

DETAILS AND DIMENSIONS



HTsP/HTiP Hand-Wrap System



As continued product improvement is a policy of Hobart, specifications are subject to change without notice.