



Project _____
 AIA # _____ SIS # _____
 Item # _____ Quantity _____ C.S.I. Section 114000



DEALERS CHOICE COMPACT UNDERCOUNTERS - R290

UHT SERIES - R290

Compact Undercounter with Drawers Refrigerator Models/Self-Contained

UHD27D0-0300



STANDARD PRODUCT FEATURES

- Stainless Steel Exterior Top, Sides & Drawers
- Front Breathing Self-Contained Refrigeration System
- Environmentally Friendly R290 Refrigerant
- Automatic Non-Electric Condensate Evaporator
- Electronic Control
- Full-Length Drawer Handle with Gasket Guard
- Magnetic Snap-In EZ-Clean Drawer Gasket(s)
- Self-Closing Stainless Steel Drawers with Stay-Open Feature
- 16-Gauge Stainless Steel Drawer with Slide
- 8' Cord & Plug Attached
- Set of Four (4) 4" High Casters
- 3-Year Parts & Labor Warranty
- 2-Years Additional Compressor Parts Warranty

ACCESSORIES & OPTIONS (*field installed)

- CK20 (four 6" (15.2 cm) high casters for 27" models)
- CK24 (four 3-1/2" (8.9 cm) high casters for 27" models)
- CK26 (four 2-3/4" (6.9 cm) high casters for 27" models)
- CK28 (four 2-1/2" (6.4 cm) high casters for 27" models)
- LK4 (four 6" (15.24 cm) high legs for 27" models)
- CU27TOP BSWO (22 ga. stainless steel top with 4" backsplash 27")
- Optional accessory kits shipped separately for field installation



This unit is listed to the applicable UL 471, CSA 120 and NSF 7 Standards by an approved NRTL. Consult the factory or unit's data plate for approval information.

AVAILABLE CONFIGURATIONS

27", 32", 60", 72" Wide Models

Model Door Style
 UHD27D0-0300 Two Drawer Refrigerator

FACTORY INSTALLED OPTIONS

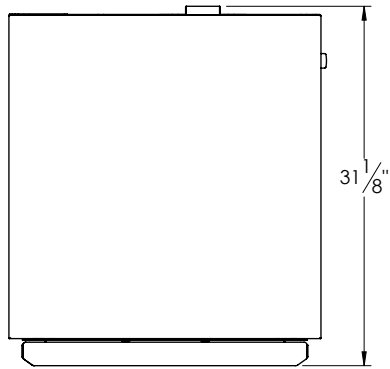
Stainless Steel Finished Back

Approved by _____ Date _____ Approved by _____ Date _____

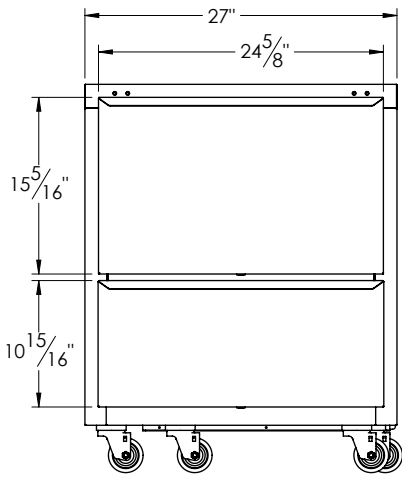
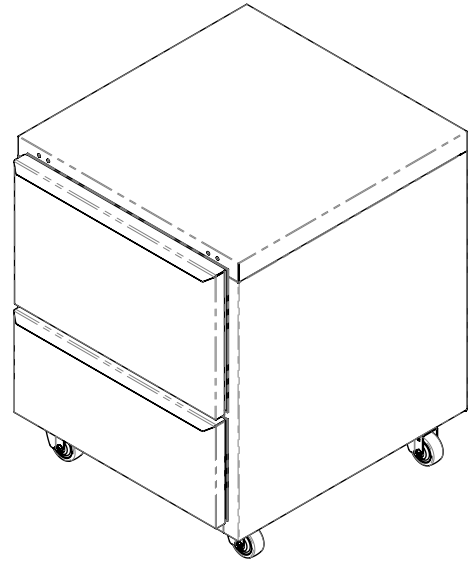


MODELS:
UHD27D0-0300

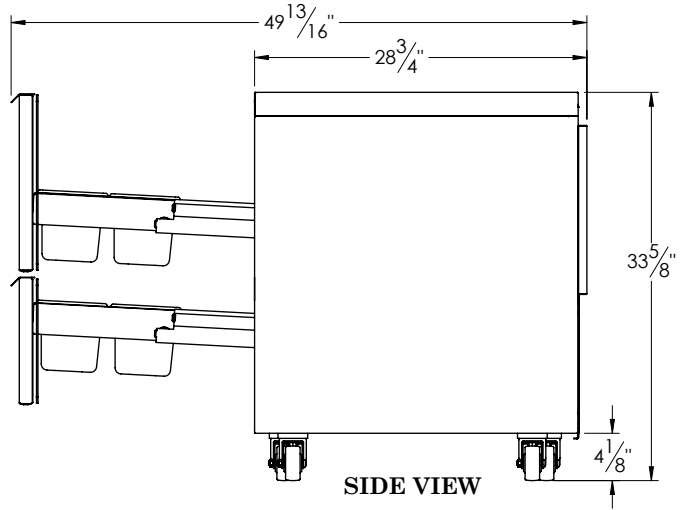
CLICK
TRANSFER
For KCL CADalog Website



TOP VIEW



ELEVATION



SIDE VIEW



UHT SERIES - R290

Compact Undercounter with Drawers Refrigerator Models/Self-Contained

MODELS

Door Models: UHD27D0-0300

EQUIPMENT SPECIFICATIONS

| MODELS | UHD27D0-0300 |
|---|----------------------------------|
| CABINET DIMENSIONAL DATA | |
| Volume (l) | 6.79 (192) |
| # of 1/6 size pans per drawer | 6 |
| # of drawers per cabinet | 2 |
| # of 1/6 size pans per cabinet | 12 |
| Width Cabinet | 27" |
| Width Drawer | 24 ⁵ / ₈ " |
| ELECTRICAL DATA & REFRIGERATION DATA 115/60/1 NEMA 5-15P | |
| Full Load Amps | 7.2 |
| MDEC ¹ (kWh) | 4.15 |
| Refrigerant | R-290 |
| Refrigerant Amount oz. (gr) | 3 (85) |
| BTU ² /HR H.P. | 1680 1/5 |
| SHIPPING DATA | |
| Width Crated in. (cm) | 45" (114) |
| Volume Crated cu. ft. (l) | 45 (1274) |
| Weight lbs. (kg) - Crated | 250 (113) |

CONSTRUCTION, HARDWARE, INSULATION

Cabinet exterior front, one piece sides, and drawers are constructed of 22 gauge stainless steel. The cabinet is insulated with an average of 2" thick high density, non-CFC, foamed in place polyurethane.

REFRIGERATION SYSTEM

A balanced, rear mounted, front breathing, self-contained refrigeration system using environmentally friendly R-290 refrigerant is provided. It features a capillary tube, air cooled 1680 BTU, 1/5 hp, hermetic compressor, a forced air evaporator coil and a non-electric condensate evaporator. An 8' (2.4m) NEMA cord and plug is provided. Standard operating temperature for refrigerator is 34° to 38°F (1.1° to 3.3°C).

CONTROLLER

An electronic digital control is supplied standard. It includes a 3-Digit LED display, and a Fahrenheit or Celsius temperature scale display capability.

DRAWERS

They are constructed using 16 gauge stainless steel drawer slides and 1 5/16" diameter stainless steel rollers. Gasket profile and material simplify cleaning and increase overall gasket life. Drawers include both a self-closing and stay-open feature.

WARRANTY

Both a three year parts and labor warranty and a five year compressor warranty (self-contained models only) are provided standard.

NOTES:

- MDEC = Maximum Daily Energy Consumption
 - Based on a 90°F ambient and 20°F evaporator.
- When ordering please specify: Voltage, Hinging, Optional Accessories and any additional warranties.
 - This unit may be manufactured in other electrical characteristics and may have additional regulatory agency approvals. Consult factory for other electrical characteristics and agency approvals based on specific electrical and country requirements. (For exact electrical information and approval marks, always refer to the data label of the unit.)

CONTINUED PRODUCT DEVELOPMENT MAY NECESSITATE SPECIFICATION CHANGES WITHOUT NOTICE.

Approved by _____ Date _____ Approved by _____ Date _____