



# UHT SERIES

1-SECTION 2-DRAWER COMPACT  
REFRIGERATED UNDERCOUNTER



Project Name:	Location:	AIA #:	
Item #:	Qty:	Model #:	SIS #:

## UHT SERIES - STAINLESS STEEL EXTERIOR & INTERIOR



**27" WIDE MODEL**  
UHT27-D Two Drawers

## SPECIFICATIONS

DIMENSIONAL DATA	
Capacity cu. ft.	6.79 (192 cu l)
Sixth Pans / Drawer	6
Sixth Pans Total	12
Length in.	27 (68.6 cm)
Depth in.	31-1/8 (79.1 cm)
Overall Height in. <sup>2</sup>	33-5/8 (85.4 cm)
ELECTRICAL DATA	
Horsepower <sup>1</sup>	1/5
Amps	7.2
Voltage	115/60/1
NEMA	5-15P
REFRIGERATION DATA	
Refrigerant	R-290
Charge Amount oz.	3 (85 g)
BTU	1680

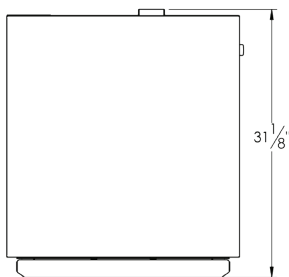
When ordering please specify:  
Voltage, Hinging, and Options



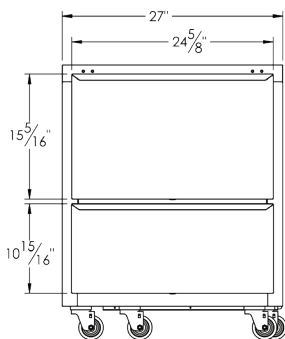
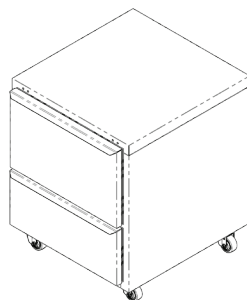
NEMA 5-15P

1. Based on 90°F ambient & 20°F evaporator.
2. Overall height includes 4" (10.2 cm) for casters.

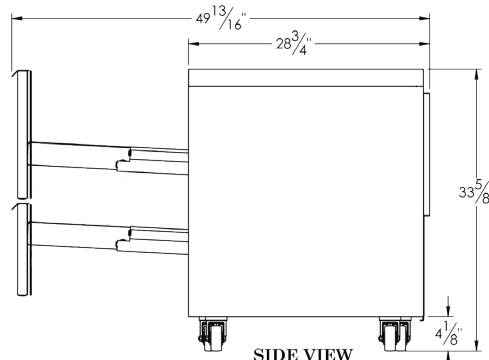
## PLAN VIEW



TOP VIEW



ELEVATION



SIDE VIEW



Intertek



Intertek



Models listed to applicable UL, CSA, and NSF standards by an approved NRTL. Consult the factory or unit data plate for additional information.

Specifications subject to change without notice. Chart dimensions are rounded up to the nearest 1/16" (centimeters rounded up to the nearest tenth).



# UHT SERIES

## 1-SECTION 2-DRAWER COMPACT REFRIGERATED UNDERCOUNTER



Project Name:	Location:	AIA #:	
Item #:	Qty:	Model #:	SIS #:

### REFRIGERATION SYSTEM

- Self-contained, rear-mounted system uses environmentally friendly, minimal GWP R-290 refrigerant
- Front-breathing system allows zero-clearance installation
- High performance, balanced system operates at 34-38°F (11-3.3°C) to maintain consistent, food-safe temperatures
- Specialized, clock-wise airflow design
- LED display for electronic control is water-resistant
- Capillary tube refrigerant metering
- Forced-air evaporator coil; non-electric condensate evaporator

### CABINET CONSTRUCTION

- Stainless steel exterior and interior
- Exterior back and bottom are constructed of heavy gauge galvanized steel
- Cabinet is insulated with an average of 2" (5.1 cm) thick high density, non-CFC foamed-in-place polyurethane
- A set of (4) 4" (10.2 cm) high casters; all with brakes
- 9' (2.7 m) cord & plug provided

### DRAWERS

- Drawers are self-closing with a stay-open feature
- Magnetic, snap-in EZ-Clean™ drawer gaskets are chemical-resistant
- Drawers are constructed of heavy-gauge stainless steel drawer slides
- Two drawers; (6) 1/6 pan capacity per drawer (pans supplied by others)

### FIELD-INSTALLED INTERIOR/SUPPORT OPTIONS

- Heavy-gauge stainless steel top with 4" (10.2 cm) backsplash (CU27TOP-BSW0)
- Set of (4) 2-3/16" (5.6 cm) casters (CK29)
- Set of (4) 2-1/2" (6.4 cm) casters (CK28)
- Set of (4) 2-3/4" (6.9 cm) casters (CK26)
- Set of (4) 3-1/2" (8.9 cm) casters (CK24)
- Set of (4) 6" (15.2 cm) casters (CK20)
- Set of (4) 6" (15.2 cm) legs (LK4)

### FACTORY-INSTALLED OPTIONS

- Stainless steel finished back (model number suffix -SB)

### WARRANTY

Both a six-year parts and labor warranty, and an additional one-year compressor parts warranty (for a total of seven years) are provided standard.

[CAD and/or Revit Files Available](#)

<https://traulsen.klccad.com>

Approved by:	Approved by:	Date:
--------------	--------------	-------