



Project \_\_\_\_\_  
 AIA # \_\_\_\_\_ SIS # \_\_\_\_\_  
 Item # \_\_\_\_\_ Quantity \_\_\_\_\_ C.S.I. Section 114000

# CUH HIGH TEMPERATURE Undercounter



CUH HIGH TEMPERATURE

## MODELS

- CUH** High temperature rinse

## STANDARD FEATURES

- + 24 racks per hour
- + .84 gallons of water per rack
- + Hot water sanitizing
- + Top-mounted user interface with digital temperature display
- + 2-minute cycle with optional extended cycle
- + 14.46" door opening
- + Snap-in, revolving upper and lower anti-clogging wash & rinse arm; low-profile, single-arm design
- + Sense-a-Temp™ ensures 180°F final rinse
- + Integrated booster heater capable of 70°F rise
- + Removable, 3-part stainless steel scrap screen
- + Soft start
- + Automatic pumped drain
- + Automatic fill
- + Service diagnostics with error notifications
- + Delime notification and cycle
- + Chemical pumps standard
- + Electric tank heat
- + Two dishracks – one peg and one combination type



## OPTIONS & ACCESSORIES (Available at extra cost)

- Upper/lower stainless steel wash and rinse arm kit
- Chemical sensing indicators (low chemical alert)
- Stainless steel stand with rack storage and telescoping legs (legs in provide 15<sup>5</sup>/<sub>16</sub>" of additional height; legs out provide 17<sup>7</sup>/<sub>8</sub>" of additional height)
- Peg rack
- Combination rack
- Power cord kits
- DWT – Drain water tempering kit

## SPECIFIER STATEMENT

Specified unit will be NSF rated, **Centerline by Hobart** high temperature undercounter dishwasher. Features soft start, two selectable cycles, one standard 2-minute cycle with optional extended cycle (factory set at 240 seconds); .84 gallons per rack, LED temperature and operator display, service diagnostics, detergent and rinse aid pumps. Constructed of stainless steel.

**1 year parts and labor warranty.**

## STANDARD VOLTAGE

- + 208-240/60/1

Approved by \_\_\_\_\_ Date \_\_\_\_\_ Approved by \_\_\_\_\_ Date \_\_\_\_\_

**LEGEND**

Electrical Connections	
<b>E1</b>	Electrical connection: 1-3/8" dia. hole for 1" trade size conduit; 1-5/8" AFF.
Plumbing Connections	
<b>P1</b>	Single fill and rinse connection: 3/4" female garden hose fitting on 6' long hose supplied with machine; 110°F water minimum for CUH approximately 1-13/16" AFF.
<b>P2</b>	Drain connection: 19mm O.D. barb fitting with 6' long hose supplied with machine.
<b>P3</b>	Chemical supply: Detergent and rinse aid; approximately 1-5/8" AFF. 63" long, 6mm O.D. tubing supplied with machine.

**WARNING: Electrical and grounding connections must comply with the applicable portion of the National Electrical Code and/or other local electrical codes.**

**Plumbing connections must comply with applicable sanitary, safety, and plumbing codes.**

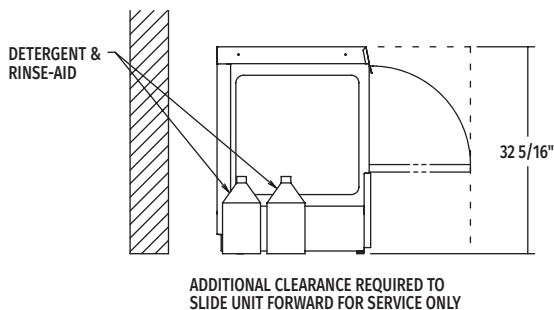
**(E1) STANDARD ELECTRICAL OPTIONS**

Voltage	Rated Amps	Minimum Supply Circuit Ampacity	Maximum Protective Device
208/60/1	24.2	30	30
240/60/1	27.5	30	30

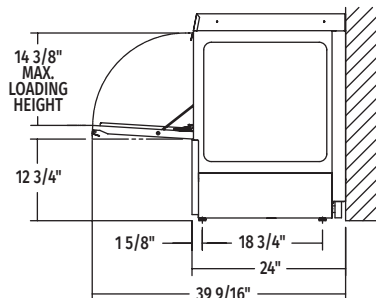
**NOTE:** For supply connections, use copper wire only rated at 90°C minimum.

Accessory cord kit available for all models.

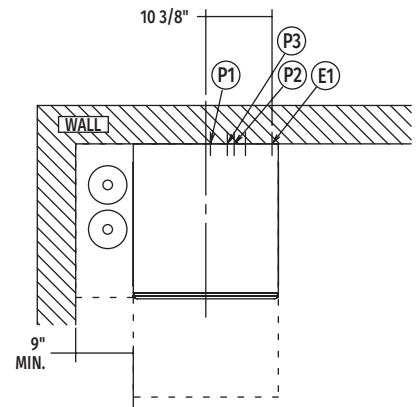
Dishmachine not provided with internal GFCI protection.



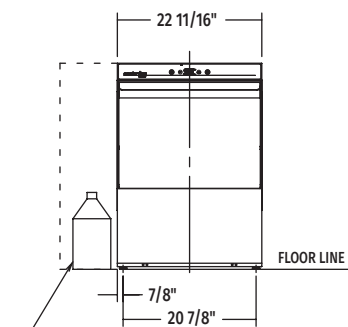
**Left Side View**



**Right Side View**



**Top View**



**Front View**

**SPECIFICATIONS**

**Capacities**

Cycle Time (seconds)	120
Racks per Hour	24
Tank Capacity – Gallons	5.3

**Motor Horsepower**

Wash	0.62
Rinse	0.20

**Water Consumption**

U.S. Gallons per Hour (maximum use)	20.2
U.S. Gallons per Rack (maximum use)	0.84
Peak Drain Flow – U.S. Gallons (gallons per minute)	2.8

**Temperatures °F**

Wash	150
Rinse	180
Incoming Water Temperature (minimum recommended)	110° F

**Heating**

Tank Heat, electric (kW)	5.5
Electric Booster (kW)	6.0

**Standard 20" x 20" (508 x 508) Rack Complement**

Flat	1
Peg	1

**Shipping Weight (approximate)** . . . . . 148 lbs.

**Crated Dimensions** . . . . . 27 1/4" W x 26 1/2" L x 38 3/4" H

Heat Output, BTU/Hour		
Volts	Latent	Sensible
208	4,300	1,800
240	5,600	2,400