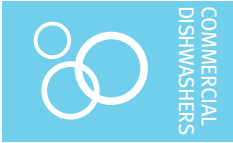




Project \_\_\_\_\_  
 AIA # \_\_\_\_\_ SIS # \_\_\_\_\_  
 Item # \_\_\_\_\_ Quantity \_\_\_\_\_ C.S.I. Section 114000



## SL30 SIDE LOADING OPTION

For CL Series



### SPECIFIER STATEMENT

The mechanical SL30 Side Loader accessory is designed to provide automatic 90° indexing for corner loading. The SL30 is direction specific, adds 30" in length to the soiled side of the dishmachine and can accommodate all ware confined within a standard 20" x 20" foodservice rack, in addition to 6x sheet pans (when used with Hobart SHTPAN-RACK). The SL30 is not compatible with Hobart Corner Scrapping units or CL-VL Ventless units.

### MODELS

- SL30** Adds 30" to length of machine

### STANDARD FEATURES

- + Automatically indexes rack at a 90° angle
- + Operates off the drive of the CL and requires no additional energy consumption
- + Easy to install
- + Stainless steel construction
- + Low maintenance
- + Easy to use
- + Saves valuable floor space
- + SL30 accepts full size sheet pans

**Construction:** Sump, back and end shields of formed 14-gauge stainless steel, heliarc-welded, with covered corners and all joints ground smooth and polished. Attached to dishmachine chamber with stainless steel bolts and reinforced with rigid stainless steel diagonal supports. Sump has 1½" drain connection and perforated stainless steel strainer cover over drain opening.

**Conveyor:** Two stainless steel rack slides welded to cross member support. Drive member is single stainless steel pawl, connected to dishmachine conveyor by a stainless steel rod. Rack drive pawl operates on two rollers, supported by two stainless steel rods and is beveled to permit rack to slide easily into side-loading extension.

**Shipping Weight:** Ships separately weighing approximately 100 lbs. Field mount standard.

**Note:** Racks must have center and side index strips.

**WARNING:** Electrical and grounding connections must comply with the applicable portions of the National Electrical Code and/or other local electrical codes.

Plumbing connections must comply with applicable sanitary, safety and plumbing codes.

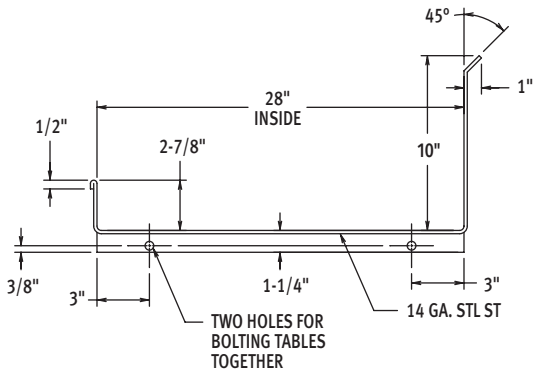
CL SERIES – SL30 SIDE LOADING OPTION

Approved by \_\_\_\_\_ Date \_\_\_\_\_ Approved by \_\_\_\_\_ Date \_\_\_\_\_

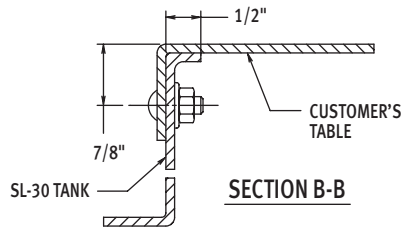


# SL30 SIDE LOADING OPTION

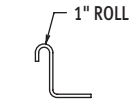
For CL Series



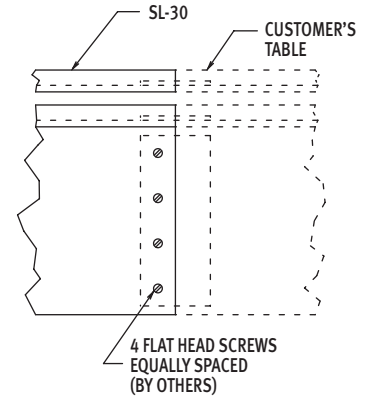
**SECTION A-A**  
VIEW LOOKING TOWARD SL-30 TANK THROUGH CUSTOMER'S TABLE



**SECTION B-B**



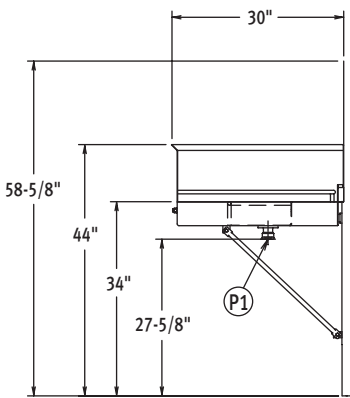
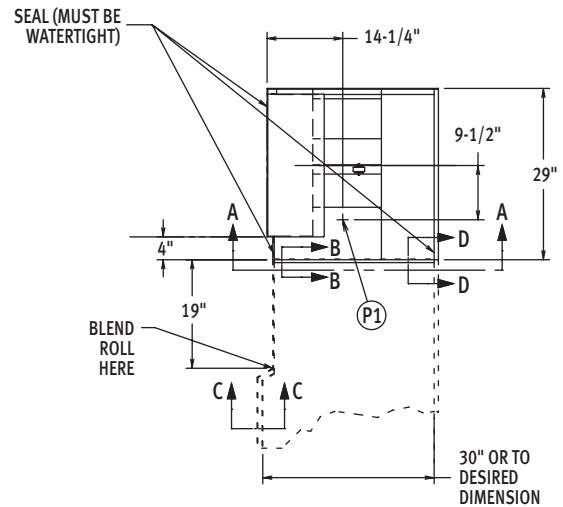
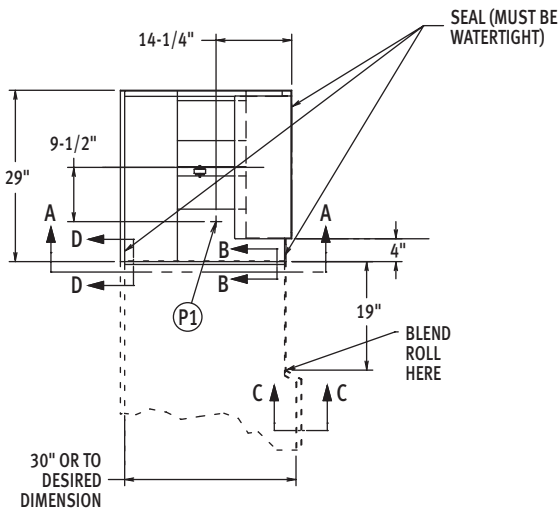
**SECTION C-C**



**SECTION D-D**

**Note:**

1. All dimensions taken from floor line may be increased approximately 3/4" or decreased 1/2". For dimensions not shown, see specification sheet for model specified.



**SL30 Side Loader**  
Left to Right Operation

**LEGEND**

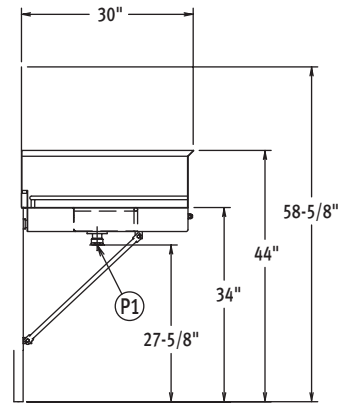
Plumbing Connection	
P1	Drain connection: 1-1/2" FPT.

MODEL:  
CL 30" SIDE LOADER  
L-R OPERATION  
D-936613  
REV C

**LEGEND**

Plumbing Connection	
P1	Drain connection: 1-1/2" FPT.

MODEL:  
CL 30" SIDE LOADER  
R-L OPERATION  
D-936612  
REV C



**SL30 Side Loader**  
Right to Left Operation

As continued product improvement is a policy of Hobart, specifications are subject to change without notice.

[CAD and/or Revit Files Available](#)