



CATALOG OF REPLACEMENT PARTS



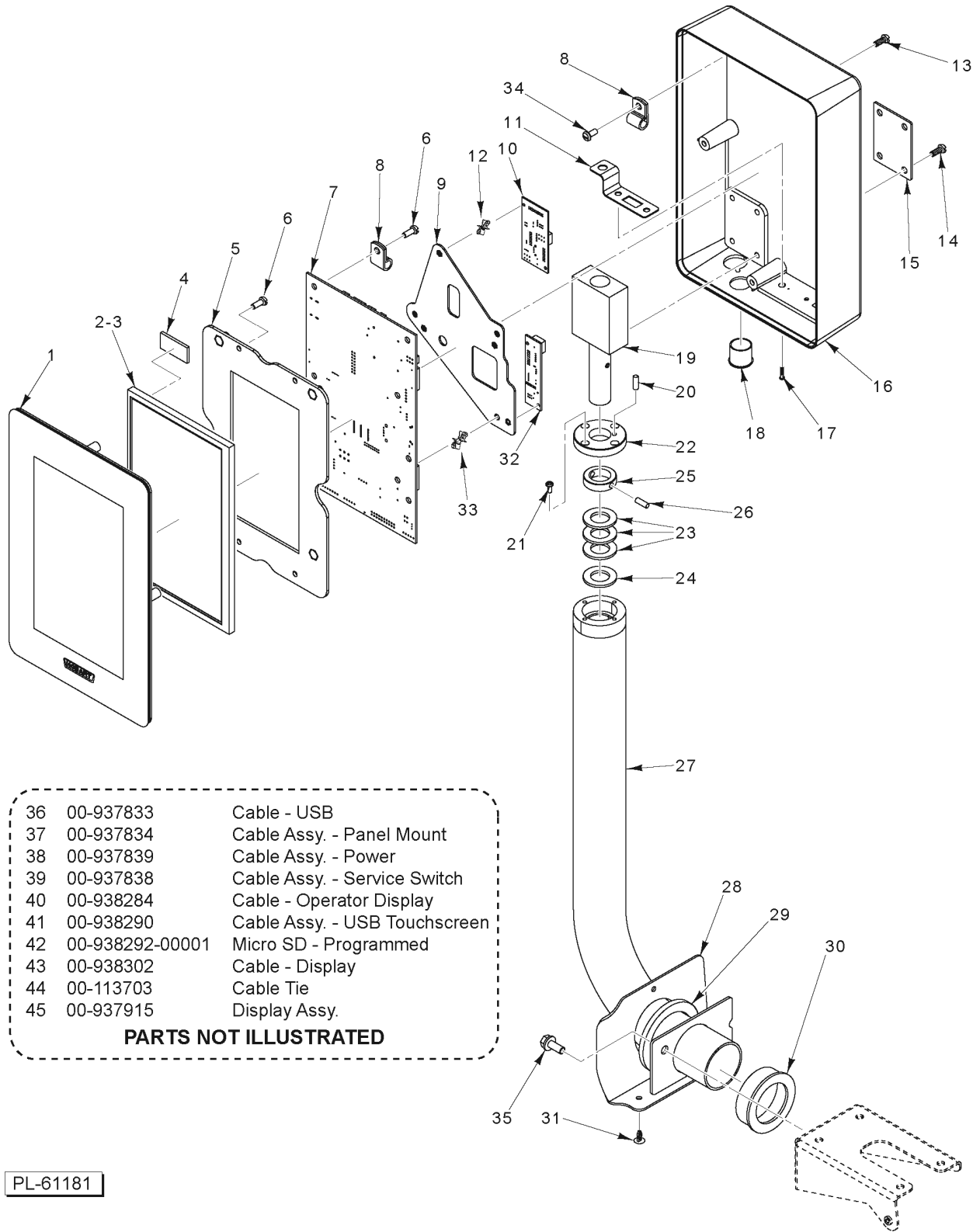
HS6-1PS PORTION SLICER

ML-141162

HS6-1PS

Table of Contents

5	ELEVATED DISPLAY (7 IN. VERTICAL)
7	SCALE ASSEMBLY
9	KNIFE DRIVE MOTOR
11	TOP COVER AND RING GUARD
13	KNIFE AND KNIFE SHAFT
15	GAUGE PLATE AND INDEX
17	PRODUCT TRAY AND MEAT GRIP ASSEMBLY
19	KNIFE SHARPENER ASSEMBLY
21	TRANSPORT CARRIAGE ASSEMBLY
23	ELECTRICAL COMPONENTS AND BASE
25	WIRE HARNESS
27	ACCESSORIES



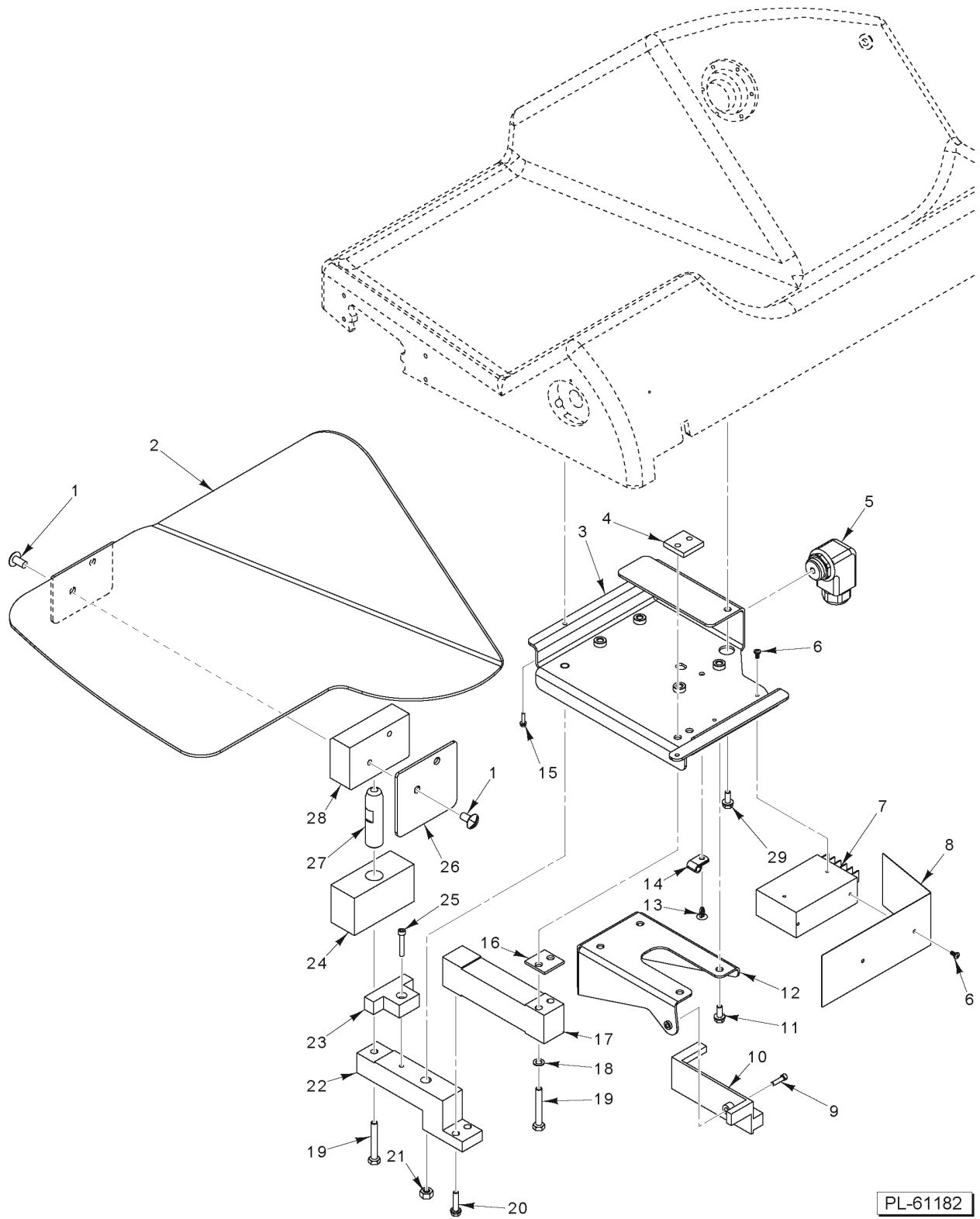
- | | | |
|----|-----------------|-------------------------------|
| 36 | 00-937833 | Cable - USB |
| 37 | 00-937834 | Cable Assy. - Panel Mount |
| 38 | 00-937839 | Cable Assy. - Power |
| 39 | 00-937838 | Cable Assy. - Service Switch |
| 40 | 00-938284 | Cable - Operator Display |
| 41 | 00-938290 | Cable Assy. - USB Touchscreen |
| 42 | 00-938292-00001 | Micro SD - Programmed |
| 43 | 00-938302 | Cable - Display |
| 44 | 00-113703 | Cable Tie |
| 45 | 00-937915 | Display Assy. |
- PARTS NOT ILLUSTRATED**

PL-61181

**ELEVATED DISPLAY
(7 IN. VERTICAL)**

ELEVATED DISPLAY (7 IN. VERTICAL)

ILLUS. PL-61181	PART NO.	NAME OF PART	AMT.
1	00-937910	Touchscreen & Plate Assy.....	1
2	00-447156	Display (7 In.).....	1
3	00-938622	Display, I Assy. (Incls. Item 4).....	1
4	00-448342	Pad - Foam.....	2
5	00-937867	Bracket - Board Mounting.....	1
6	SC-018-33	Mach. Screw 8-32 x 5/16 Phil. Pan Hd.....	8
7	00-448431	Board - Main Control.....	1
8	00-078752-00003	Clamp - Cable.....	2
9	00-938688	Plate, Auxiliary Board (Incls. Items 12 & 33).....	1
10	00-447162	Board Assy.....	1
11	00-937887	Bracket - Switch.....	1
12	00-938620	PCB Support, .125.....	4
13	SC-093-04	Mach. Screw 8-32 x 1/2 Phil. Pan Hd. (SST).....	4
14	SC-053-02	Mach. Screw 10-24 x 1/2 Slotted Truss Hd. (SST).....	4
15	00-937868	Plate - Display Mounting.....	1
16	00-937864	Housing - Display.....	1
17	SC-132-73	Screw.....	2
18	PB-004-35	Plug - Button (1/2).....	1
19	00-937905	Block - Swivel Assy.....	1
20	00-447143	Pin - Dowel.....	1
21	SC-132-72	Screw.....	4
22	00-447710	Cap - Display Mount.....	1
23	00-447714	Washer - Spring.....	3
24	00-447713	Washer - Thrust.....	1
25	00-447712	Collar.....	1
26	SC-088-55	Set Screw 10-32 x 3/16 Hex Hdls., Half Dog Pt.....	2
27	00-937820	Tube Assy.....	1
28	00-938076	Cover - Tube Attachment.....	1
29	00-938208	Seal - Tube.....	1
30	00-938286	Grommet - Tube.....	1
31	00-938077	Rivet - Snap.....	3
32	00-449512	Board - Touchscreen Control.....	1
33	00-938621	PCB Support, .187.....	3
34	SD-037-71	Self-Tapping Screw 6-19 x 5/16 Phil. Pan Hd.....	1
35	SC-129-49	Mach. Screw 1/4-20 x 1/2 Hex Washer Hd. (SST).....	2
36	00-937833	Cable - USB.....	1
37	00-937834	Cable Assy. - Panel Mount.....	1
38	00-937839	Cable Assy. - Power.....	1
39	00-937838	Cable Assy. - Service Switch.....	1
40	00-938284	Cable - Operator Display.....	1
41	00-938290	Cable Assy. - USB Touchscreen.....	1
42	00-938292-00001	Micro SD - Programmed.....	1
43	00-938302	Cable - Display.....	1
44	00-113703	Cable Tie.....	AR
45	00-937915	Display Assy.....	1

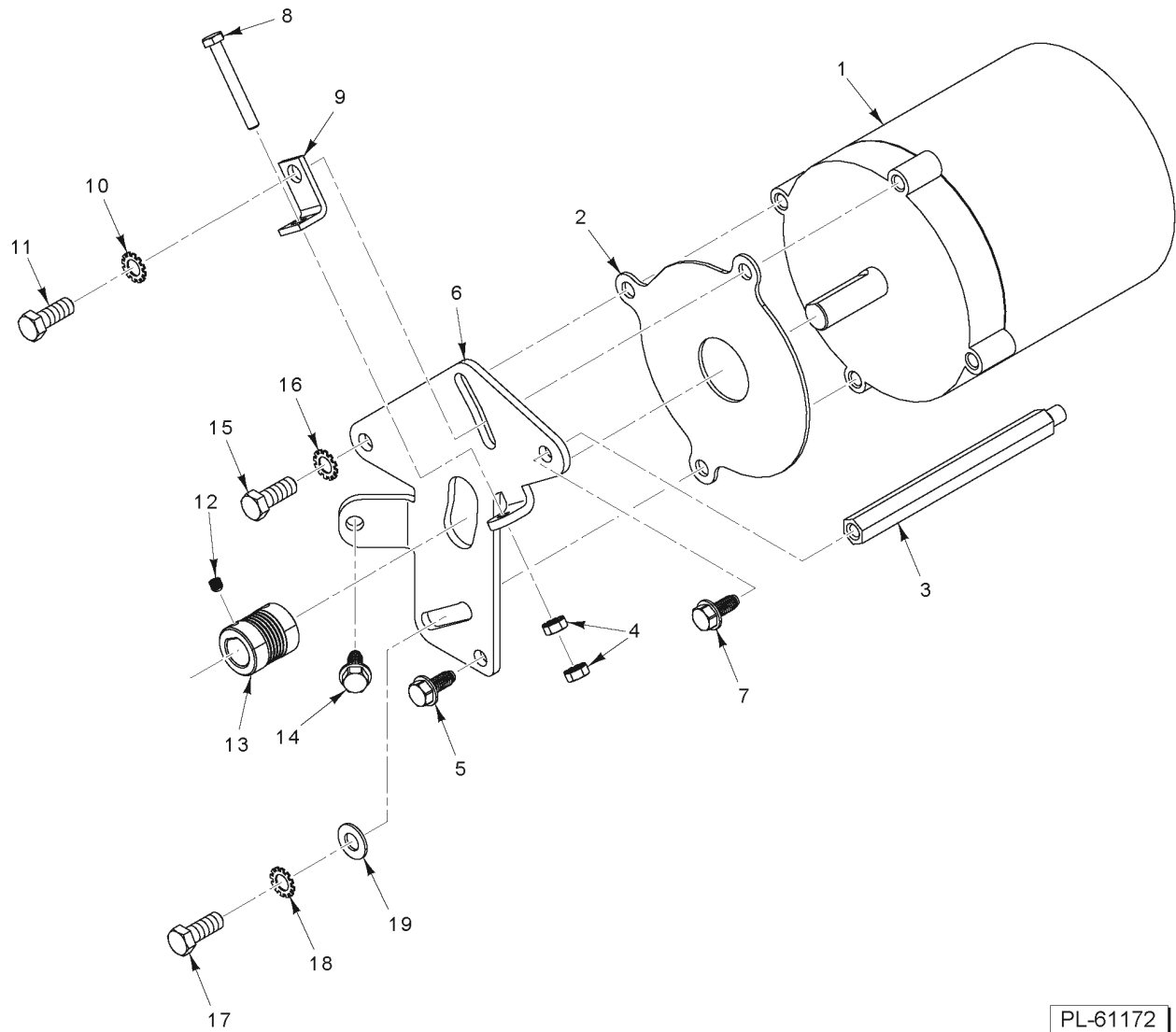


PL-61182

SCALE ASSEMBLY

SCALE ASSEMBLY

ILLUS.	PART NO.	NAME OF PART	AMT.
PL-61182			
1	SC-053-41	Mach. Screw 1/4-20 x 1/2 Slotted Truss Hd. (SST).....	4
2	00-937816	Scale - Platter.....	1
3	00-937893	Scale - Bracket.....	1
4	00-937896	Plate - Threaded.....	1
5	00-938166	Relief - Strain.....	1
6	SA-021-31	Mach. Screw M3 x 1/2 x 6 mm Pan Hd.....	4
7	00-937829	Power Supply.....	1
8	00-938053	Guard - Splash.....	1
9	SC-059-13	Screw Cap 8/32 x 1/2 Hex Socket Hd. (SST).....	1
10	00-446167	Board Assy. - USB Weigher.....	1
11	SC-132-71	Mach. Screw 1/4-20 x 3/8.....	4
12	00-938049	Bracket - Tube.....	1
13	00-938272	Rivet - Snap.....	1
14	00-078752-00003	Clamp - Cable.....	1
15	SD-038-16	Self-Tapping Screw 6-32 x 3/8 Hex Washer Hd., Type RL.....	2
16	00-937795	Spacer.....	1
17	00-443075	Load Cell - Multiple Range (15 kg).....	1
18	WL-006-17	Lockwasher 1/4 Helical (SST).....	2
19	SC-041-08	Cap Screw 1/4-20 x 2 Hex Hd. (SST).....	3
20	SC-129-73	Mach. Screw 1/4-20 x 1 Hex Washer Hd. (SST).....	2
21	NS-049-54	Nut, Lock SP 1/4-20.....	1
22	00-937813	Arm - Lower Scale.....	1
23	00-938050	Stop - Loadcell.....	1
24	00-937895	Extension - Loadcell Block.....	1
25	SC-123-01	Cap Screw 10-24 x 3/4 Hex Socket Hd. (SST).....	1
26	00-937892	Support - Platter.....	1
27	00-937794	Pin - Locating.....	1
28	00-937811	Block - Platter Mount.....	1
29	SD-039-68	Self-Tapping Screw 10-24 x 3/8 Hex Washer Hd., Type RL.....	1

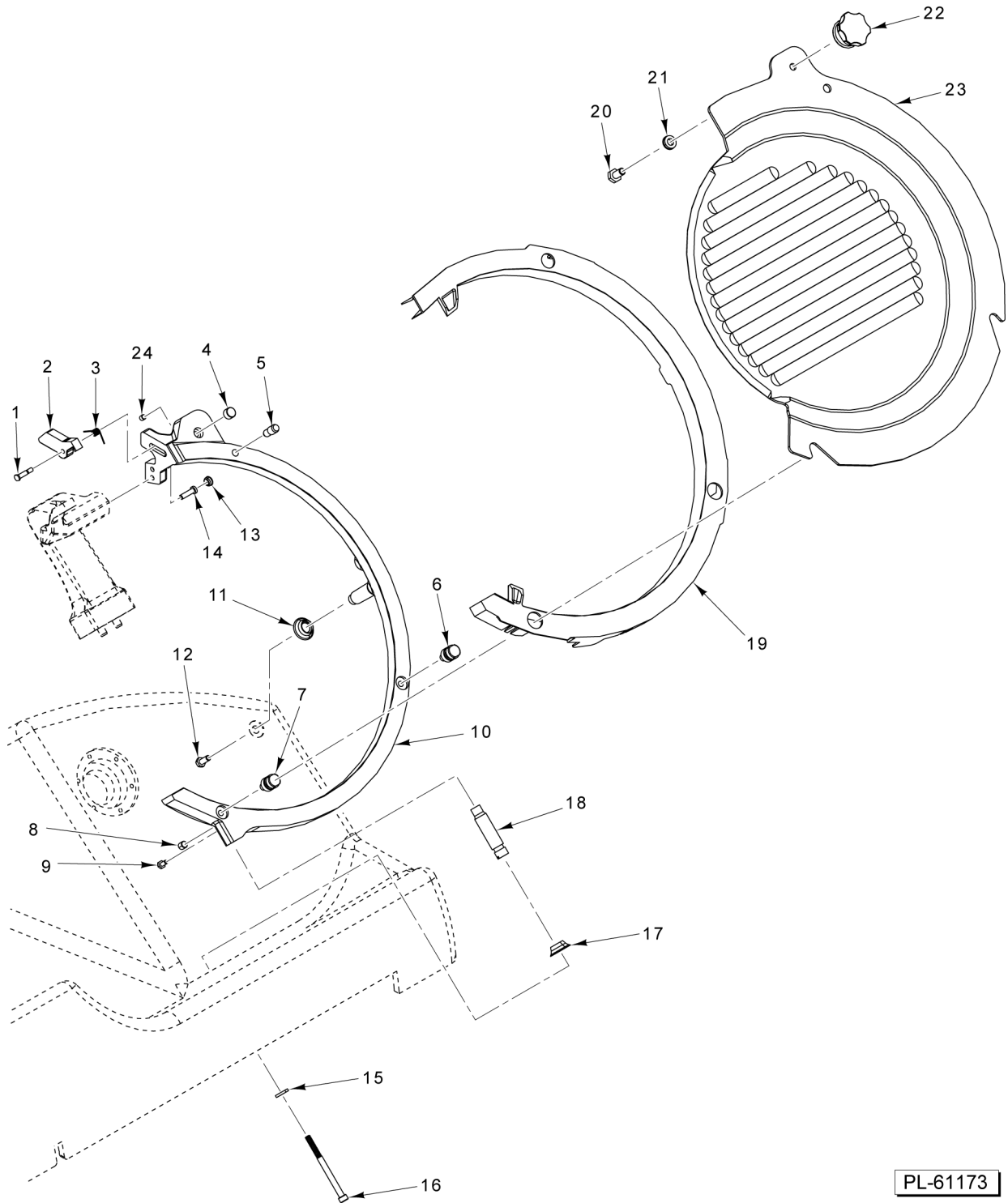


PL-61172

KNIFE DRIVE MOTOR

KNIFE DRIVE MOTOR

ILLUS.	PART NO.	NAME OF PART	AMT.
PL-61172			
1	00-438846-00001	Motor (60 Hz.).....	1
2	00-439032	Gasket - Motor (For S/N 311598700 and Below).....	1
3	00-438984	Standoff.....	1
4	NS-044-14	Nut 1/4-20 Hex KEPS.....	2
5	SD-038-18	Self-Tapping Screw 5/16-18 x 3/4 Hex Washer Hd., Type RL.....	1
6	00-477760	Plate - Motor.....	1
7	SD-038-18	Self-Tapping Screw 5/16-18 x 3/4 Hex Washer Hd., Type RL.....	1
8	SC-118-98	Cap Screw 1/4-20 x 2 Hex Hd.....	1
9	00-477532	Bracket - Tensioner Adjustment.....	1
10	WL-007-25	Lockwasher 3/8 External.....	1
11	SC-037-73	Cap Screw 3/8-16 x 1 Hex Hd.....	1
12	SC-123-65	Set Screw 1/4-28 x 3/8 Hex Hdls., Flat Pt. (SST).....	2
13	00-438844-00002	Sheave - Poly "V".....	1
14	SD-038-18	Self-Tapping Screw 5/16-18 x 3/4 Hex Washer Hd., Type RL.....	1
15	SC-037-73	Cap Screw 3/8-16 x 1 Hex Hd.....	1
16	WL-007-25	Lockwasher 3/8 External.....	1
17	SC-037-73	Cap Screw 3/8-16 x 1 Hex Hd.....	1
18	WL-007-25	Lockwasher 3/8 External.....	1
19	WS-018-22	Washer.....	1

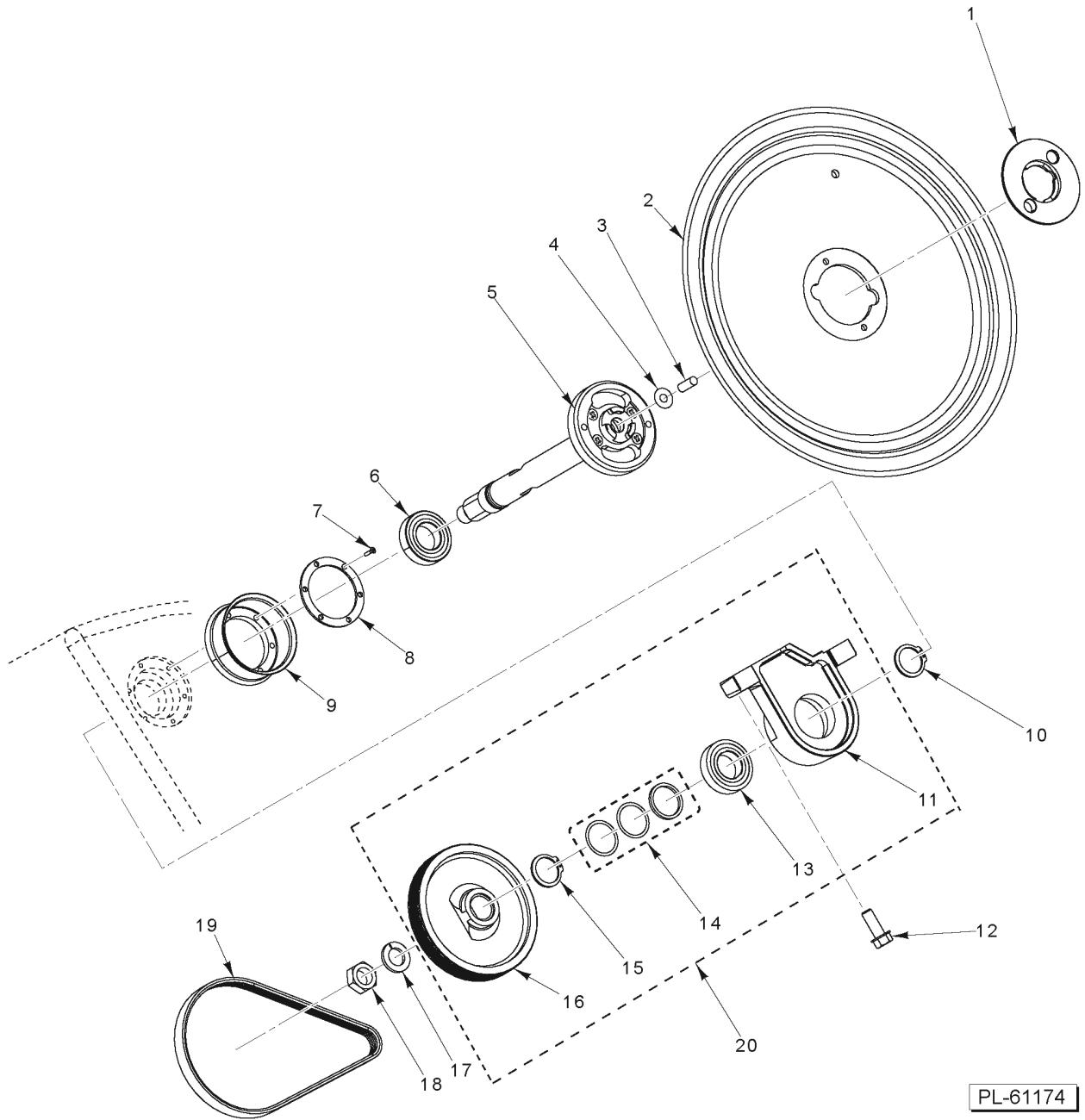


PL-61173

TOP COVER AND RING GUARD

TOP COVER AND RING GUARD

ILLUS.	PART NO.	NAME OF PART	AMT.
PL-61173			
1	00-914411	Pin - Lock.....	1
2	00-914409-00003	Lock - Knife Edge Protector.....	1
3	00-914425	Lock - Torsion Spring.....	1
4	00-915319	Magnet.....	1
5	00-915299	Pin - Top Cover.....	1
6	00-915378	Pin - Tapered.....	1
7	00-915378	Pin - Tapered.....	1
8	00-914634	Magnet - Product Deflector.....	1
9	SC-130-21	Mach. Screw 6-32 x 5/16 Hex Hd. (SST).....	1
10	00-915390	Ring Guard Assy. (Incls. Items 1 thru 9 & 24).....	1
11	00-914429	Boot - Ring Guard.....	1
12	SC-037-80	Cap Screw 10-24 x 1/2 Hex Hd.....	1
13	00-914430	Plug.....	2
14	SC-129-78	Cap Screw 8-32 x 5/8 Hex Socket Hd.....	2
15	WS-031-78	Washer.....	1
16	SC-131-56	Cap Screw 10-24 x 2-1/2 Hex Socket Hd.....	1
17	00-914429	Boot - Ring Guard.....	1
18	00-915300	Post - Ring Guard.....	1
19	00-914408	Cover - Ring Guard.....	1
20	SC-131-80	Cap Screw 1/4-20 x 1/2 Hex Hd. (SST).....	1
21	WS-031-80	Washer.....	1
22	00-915297	Knob - Top Cover.....	1
23	00-915391	Top Cover Assy. (Incls. Items 20 thru 22).....	1
24	SC-131-63	Set Screw 1/4-20 x 1/4 Hex Hdls., Flat Pt. (SST).....	1

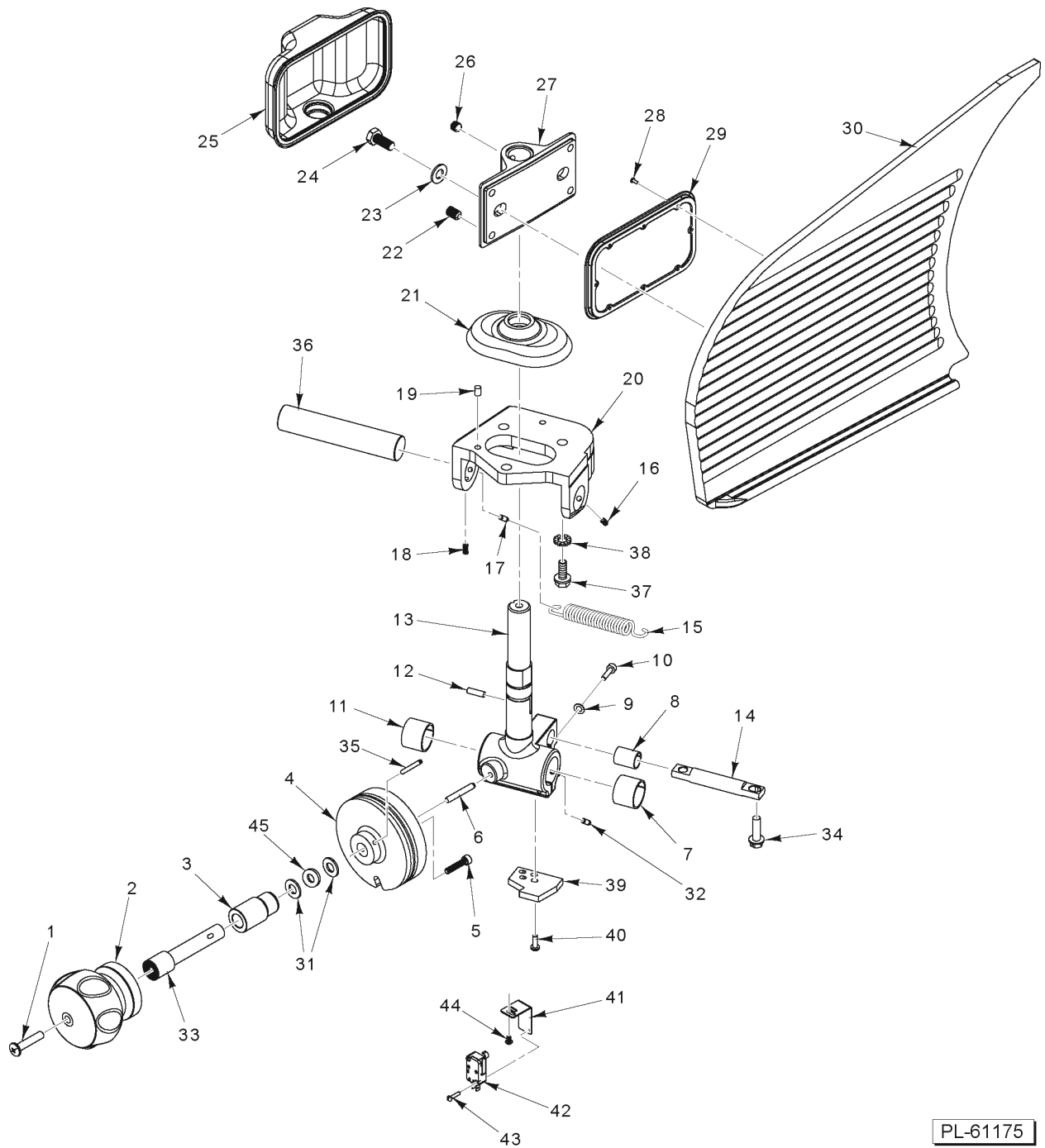


PL-61174

KNIFE AND KNIFE SHAFT

KNIFE AND KNIFE SHAFT

ILLUS.	PART NO.	NAME OF PART	AMT.
PL-61174			
1	00-914422	Plate - Knife Removal Clamp.....	1
2	00-914753	Knife - Slicer Pack (Removable).....	1
3	00-915308	Plug - Rulon.....	1
4	WS-031-82	Washer 0.289 X 0.365 X 0.016 (SST).....	1
5	00-915421-00002	Knife Shaft Assy. (Removable) (Non-Ajustable Rulan Plug) (Incls. Item 5).....	1
6	BB-021-66	Bearing - Ball.....	1
7	SC-131-62	Cap Screw 8-32 x 7/8 Hex Socket Hd. (SST).....	6
8	00-915342	Ring - Boot.....	1
9	00-915341	Boot - Knife Shaft.....	1
10	RR-009-07	Retaining Ring.....	1
11	00-875180-00002	Retainer - Lower Hub & Bearing (Incls. Item 12).....	1
12	SC-123-50	Cap Screw 3/8-16 x 1 Hex Washer Hd.....	2
13	BB-021-66	Bearing - Ball.....	1
14	00-937970	Washer Assy.....	1
15	RR-012-48	Retaining Ring.....	1
16	00-937968	Sheave - Poly "V" Large 6 Groove.....	1
17	WL-004-17	Lockwasher 5/8 Light.....	1
18	NS-017-41	Jam Nut 5/8-18 Hex (SST).....	1
19	00-438845	Belt - Poly "V".....	1
20	00-937969	Kit - Lower Hub and Bearing (Incls. Itmes 11, 13, 14, 15, & 16).....	1

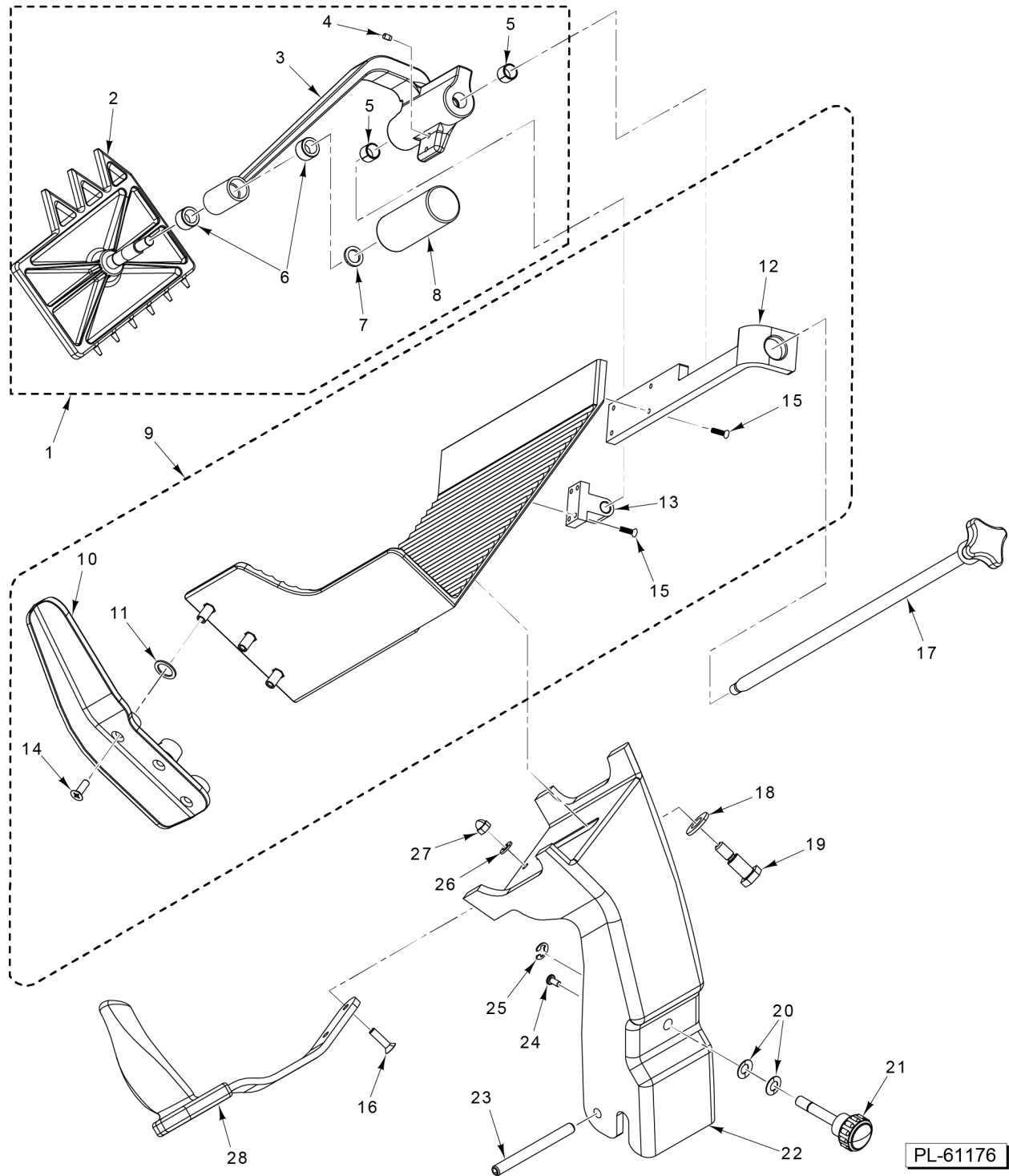


PL-61175

GAUGE PLATE AND INDEX

GAUGE PLATE AND INDEX

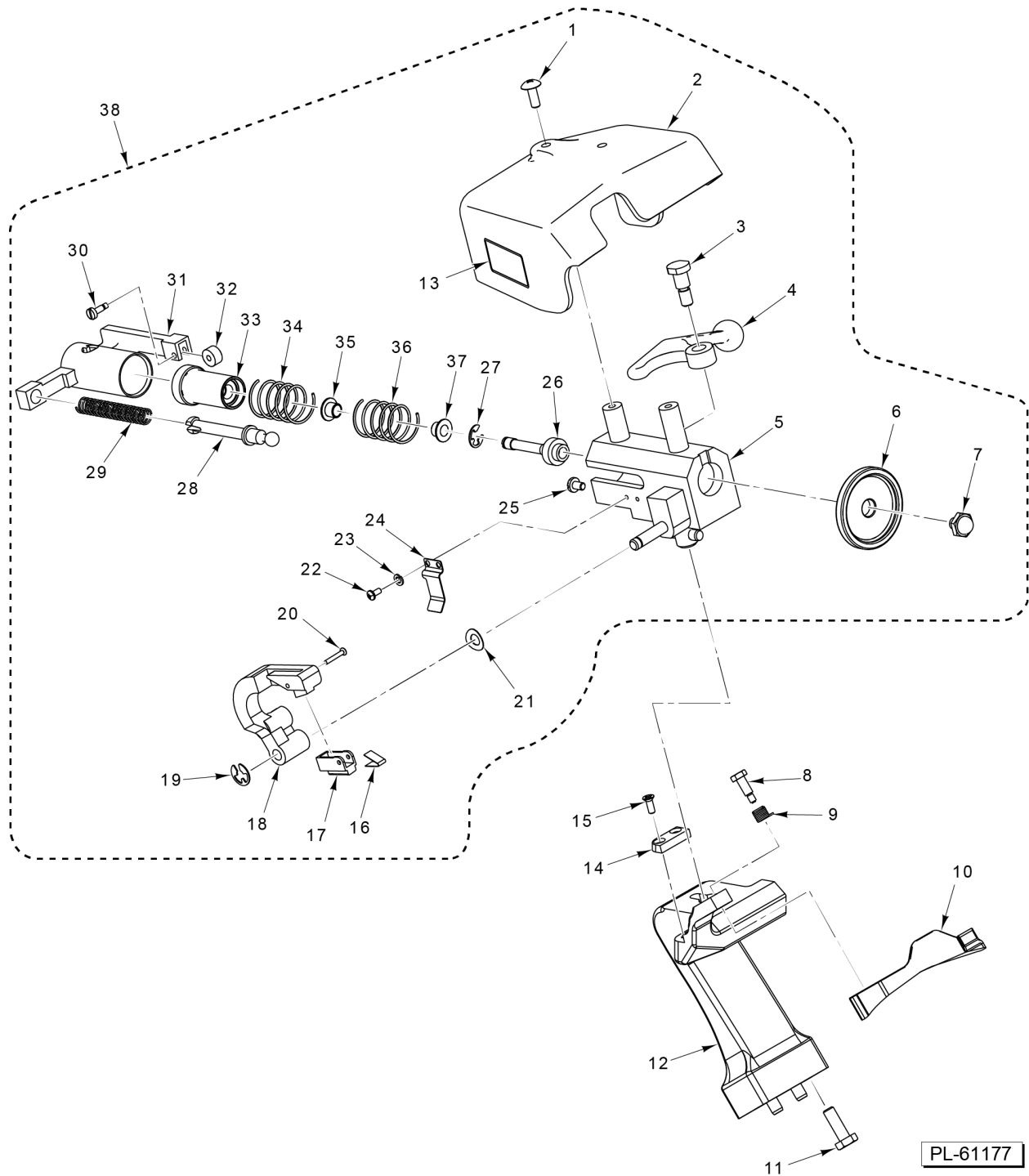
ILLUS. PL-61175	PART NO.	NAME OF PART	AMT.
1	SC-125-95	Mach. Screw 1/4-20 x 1-1/4 Phil. Pan Hd. (SST).....	1
2	00-915292	Knob - Index Assy.....	1
3	00-915304	Bushing - Index.....	1
4	00-915335-00001	Cam - Index.....	1
5	SC-131-75	Cap Screw 10-32 x 7/8 Hex Socket Hd. (SST).....	1
6	00-478461	Pin - Index Cam.....	1
7	00-478426	Bushing - Index Slide.....	1
8	00-478425	Bushing - Anti-Rotation Rod.....	1
9	WS-008-13	Washer - Retaining.....	3
10	SC-124-46	Cap Screw 10-24 x 3/4 Hex Socket Hd.....	3
11	00-478426	Bushing - Index Slide.....	1
12	RP-002-35	Roll Pin 3/16 Dia. x 5/8 Lg. (SST).....	1
13	00-915306-00002	Slide - Index (Incls. Items 6 thru 12 & 32).....	1
14	00-478415	Rod - Index Anti-Rotation.....	1
15	00-478432	Spring - Index Backlash.....	1
16	SC-088-71	Set Screw 8-32 x 3/8 Hdls., Flat Pt.....	1
17	PG-011-38	Pin - Grooved 5/32 x 19/32 (SST).....	1
18	SC-088-71	Set Screw 8-32 x 3/8 Hdls., Flat Pt.....	1
19	00-011800-00305	Pin - Dowel 1/4 x 3/4.....	2
20	00-439072-00003	Support - Slide Index (Incls. Item 19).....	1
21	00-915313	Boot - Index Slide.....	1
22	SC-131-74	Set Screw 5/16-24 x 1/2 Hex Hdls., Flat Pt.....	4
23	WS-005-32	Washer (SST).....	2
24	SC-062-72	Cap Screw 5/16-24 x 3/4 Hex Hd.....	2
25	00-915301	Boot - Gauge Plate.....	1
26	SC-117-68	Set Screw 5/16-24 x 3/8 Hex Hdls., Cone Pt.....	3
27	00-915289-00002	Support - Gauge Plate.....	1
28	00-121676-00001	Self-Tapping Screw #2 x 1/4 Truss Hd.....	8
29	00-915293	Bracket - Gauge Plate Boot.....	1
30	00-915282-00001	Plate - Gauge.....	1
31	WS-030-58	Washer 0.500 x 0.750 x 0.010 (SST).....	5
32	PG-011-19	Pin - Grooved 5/32 x 1/2 (SST).....	1
33	00-937742	Shaft - Knob.....	1
34	SD-038-14	Self-Tapping Screw 1/4-20 x 7/8 Hex Washer Hd., Type RL (SST).....	2
35	RP-003-12	Roll Pin 1/8 Dia. x 1-1/4 Lg.....	1
36	00-438886	Rod - Index Slide.....	1
37	SC-062-81	Cap Screw 5/16-18 x 7/8 Hex Hd.....	3
38	WL-007-20	Lockwasher 5/16 External Shakeproof.....	3
39	00-915358	Bracket (Interlock Stop).....	1
40	SC-093-05	Mach. Screw 8-32 x 1/2 Slotted Pan Hd. (SST).....	4
41	00-915291	Bracket (Close to Stop).....	1
42	00-087711-00358	Switch - Miniature.....	1
43	SC-021-02	Mach. Screw 4-40 x 1/2 Slotted Rd. Hd. (SST).....	2
44	SC-125-33	Mach. Screw 6-32 x 1/4 Phil. Rd. Hd. (SST).....	1
45	SL-005-18	Spring - Loading (0.523 I.D., 0.865 O.D., 0.010 Thk.) (SST) (Wavy).....	1



PRODUCT TRAY AND MEAT GRIP ASSEMBLY

PRODUCT TRAY AND MEAT GRIP ASSEMBLY

ILLUS.	PART NO.	NAME OF PART	AMT.
PL-61176			
1	00-915395-00003	Meat Grip Assy. (Incls. Items 2 thru 8).....	1
2	00-915257	Grip - Meat.....	1
3	00-915597	Meat Grip Arm Assy. (Incls. Items 4 thru 6).....	1
4	00-914446	Pad - Stop.....	2
5	00-914452	Bearing - Grip Arm.....	2
6	00-478254	Bushing.....	2
7	WS-021-21	Washer 0.500 x 0.750 x 0.093 (Nylon).....	1
8	00-914937	Handle - Meat Grip.....	1
9	00-915393	Product Tray Assy. (Incls. Items 10 thru 15).....	1
10	00-915268	Guard - Thumb.....	1
11	00-915275	Washer (Rubber).....	3
12	00-915259	Bracket - Support.....	1
13	00-915230-00002	Block - Support.....	1
14	SC-131-61	Mach. Screw 1/4-20 x 3/4 Phil. Flat Hd. (SST).....	3
15	SC-132-66	Mach. Screw 8-32 x 5/8 Slotted Flat Hd. (SST).....	8
16	SC-125-93	Mach. Screw 1/4-20 x 1 Phil. Flat Hd. (SST).....	2
17	00-915286	Slide Rod Assy.....	1
18	WS-031-53	Washer 0.531 x 1.063 x 0.109 (SST).....	2
19	00-915407	Shoulder Screw 1/2 Dia. 3/8-16.....	2
20	00-478021	Washer - Belleville.....	2
21	00-875450	Knob - Support Tray Assy.....	1
22	00-915400-00001	Tray Support Assy. (Incls. Items 23 & 24).....	1
23	RP-006-51	Pin - Roll (0.375).....	1
24	00-439045	Stud - Drive.....	2
25	RR-012-17	Retaining Ring.....	1
26	WS-003-49	Washer 0.266 x 0.563 x 0.062 (SST).....	2
27	NS-025-04	Crown Nut 1/4-20 (SST).....	2
28	00-915296	Handle - Tray.....	1

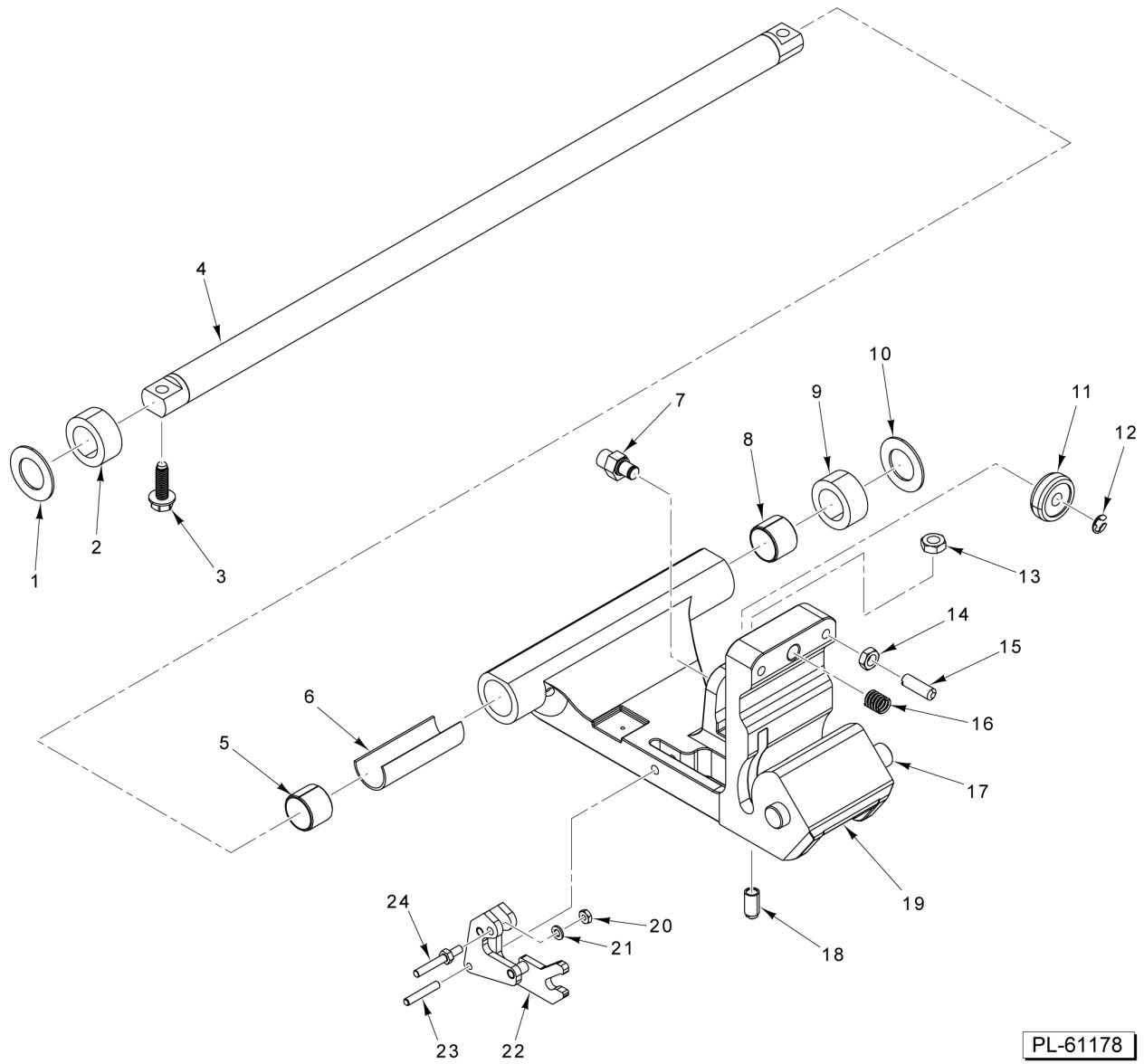


KNIFE SHARPENER ASSEMBLY

PL-61177

KNIFE SHARPENER ASSEMBLY

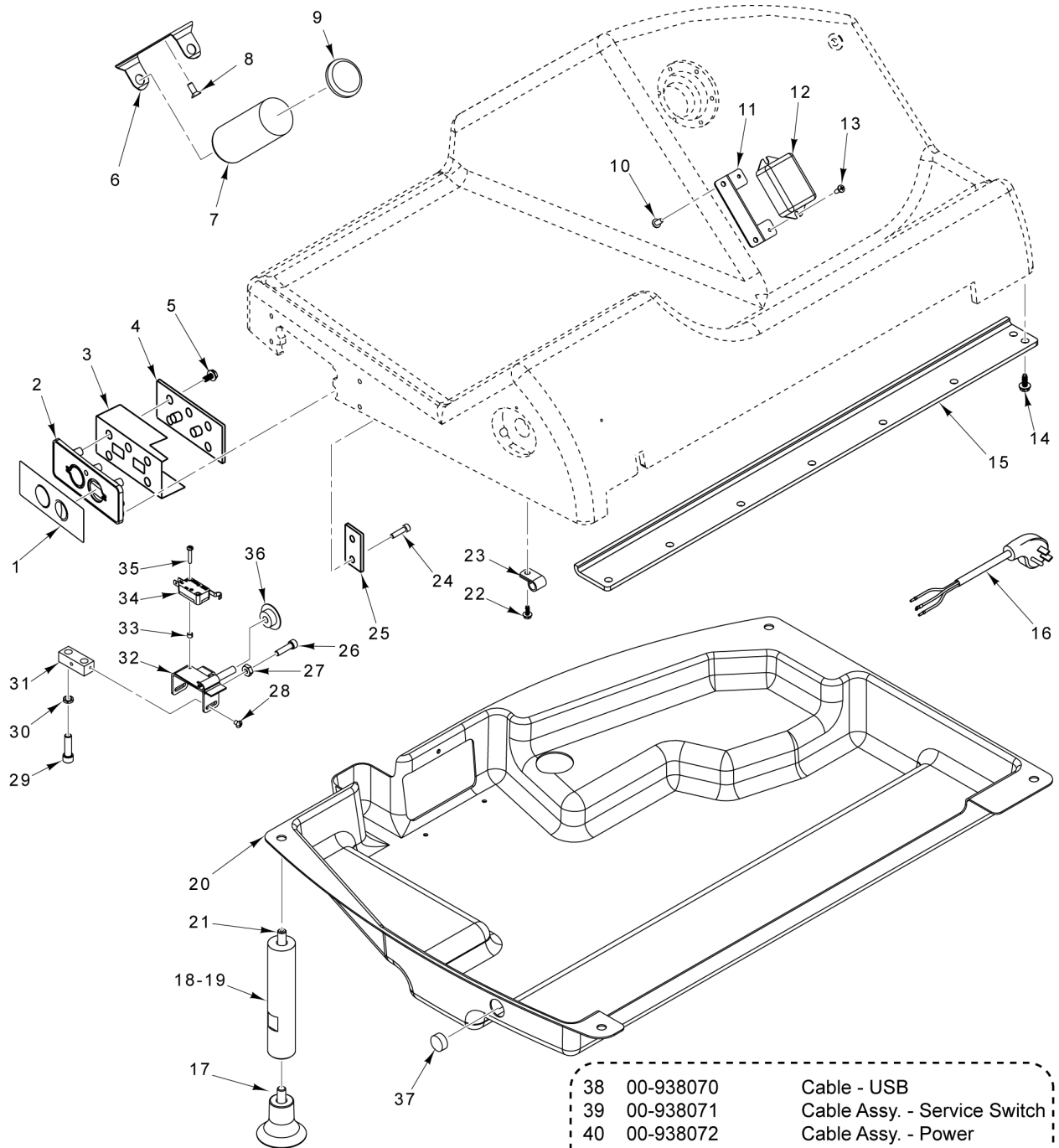
ILLUS.	PART NO.	NAME OF PART	AMT.
PL-61177			
1	SC-129-63	Mach. Screw 10-24 x 1/2 Phil. Truss Hd. (SST).....	2
2	00-914682	Cover & Plate Assy. (Incls. Item 13).....	1
3	00-479953	Shoulder Screw 1/4-20 x 3/8.....	1
4	00-875359	Handle - Sharpener Cam.....	1
5	00-914565	Housing & Stud Assy.....	1
6	00-439691	Stone Service Kit.....	1
7	00-914327	Screw - Pushing Cover.....	1
8	00-914410	Pin - Knife Protector.....	1
9	00-914424	Spring - Knife Protector.....	1
10	00-914504-00003	Protector - Knife Edge.....	1
11	SC-118-19	Cap Screw 1/4-20 x 3/4 Hex Hd.....	2
12	00-915290-00002	Mount - Sharpener Assy. (Incls. Item 11).....	1
13	00-914681	Label - Instruction.....	1
14	00-914687	Spacer - Sharpener Mount.....	1
15	SC-022-79	Mach. Screw 6-32 x 3/8 Phil. Flat Hd. (SST).....	2
16	00-914414	Spring - Truing Stone.....	1
17	00-914413	Stone - Truing.....	1
18	00-914495-00002	Arm - Truing.....	1
19	RR-006-22	Retaining Ring 1/4 In. (SST).....	1
20	SC-129-65	Mach. Screw 2-56 x 5/8 Slotted Pan Hd.....	1
21	00-479527	Washer - Spring Crescent Shaped.....	1
22	SC-126-48	Mach. Screw 4-40 x 1/4 Phil. Pan Hd. (SST).....	2
23	WL-003-03	Lockwasher #4 Helical.....	2
24	00-914544	Spring - Sharpener Housing.....	1
25	SC-122-87	Mach. Screw 8-32 x 1/4 Slotted Pan Hd. (SST).....	1
26	00-873848	Shaft - Grinding Wheel.....	1
27	RR-006-22	Retaining Ring 1/4 In. (SST).....	1
28	00-914415	Rod - Truing Pusher.....	1
29	00-914416	Spring - Truing Arm.....	1
30	00-914329	Roller - Shoulder Screw.....	1
31	00-914323	Actuator.....	1
32	00-914328	Roller - Lock Release.....	1
33	00-873851	Plunger - Bearing Assy. (Incls. Items 35 & 37).....	1
34	00-438437	Spring - Return.....	1
35	00-873834	Bearing - Sharpener.....	1
36	00-875531	Spring - Main.....	1
37	00-873834	Bearing - Sharpener.....	1
38	00-914571	Sharpener Assy. (Incls. Items 1 thru 7, 13, & 16 thru 37).....	1



TRANSPORT CARRIAGE ASSEMBLY

TRANSPORT CARRIAGE ASSEMBLY

ILLUS.	PART NO.	NAME OF PART	AMT.
PL-61178			
1	00-435708	Washer - Backup (SST).....	1
2	00-915255	Bumper - Slide Rod.....	1
3	SD-033-08	Self-Tapping Screw 5/16-18 x 1 Hex Washer Hd., Type TT.....	2
4	00-438907	Slide - Rod.....	1
5	00-875658	Bearing - Transport (Metal).....	1
6	00-439017	Wick - Slide Rod Lubrication.....	1
7	00-915606	Stud - Roller Bearing.....	1
8	00-875658	Bearing - Transport.....	1
9	00-915255	Bumper - Slide Rod.....	1
10	00-435708	Washer - Backup (SST).....	1
11	00-478420	Roller - Transport.....	1
12	RR-011-69	Retaining Ring.....	1
13	NS-017-20	Jam Nut 3/8-24 Hex.....	1
14	NS-018-06	Jam Nut 5/16-18 Hex (SST).....	2
15	SC-128-35	Set Screw 5/16-18 x 1 Slotted Hdls., Flat Pt.....	2
16	00-519826	Insert - Screw.....	1
17	00-915260	Rod - Tray Arm Mounting.....	1
18	00-477747	Set Screw - Special.....	1
19	00-915520	Transport Assy. (Incls. Items 5, 6, 8, 16, & 17).....	1
20	NS-018-01	Jam Nut 1/4-20 Hex (SST).....	1
21	WL-006-17	Lockwasher 1/4 Helical (SST).....	1
22	00-915312	Tray Interlock Assy.....	1
23	00-558091	Pin.....	1
24	00-915249	Pin - Cam Lock.....	1



38	00-938070	Cable - USB
39	00-938071	Cable Assy. - Service Switch
40	00-938072	Cable Assy. - Power
41	00-938114	Harness - Power Supply

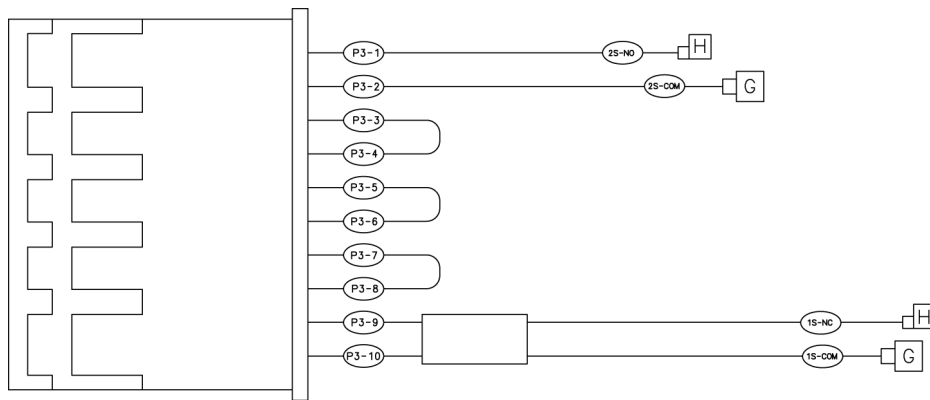
PARTS NOT ILLUSTRATED

PL-61179

ELECTRICAL COMPONENTS AND BASE

ELECTRICAL COMPONENTS AND BASE

ILLUS.	PART NO.	NAME OF PART	AMT.
PL-61179			
1	00-915251	Overlay.....	1
2	00-915330	Bezel Assy. (Incls. Item 1).....	1
3	00-915714	Mylar - PCB.....	1
4	00-915267-00003	Board - Control (120-230 V.).....	1
5	SD-037-75	Self-Tapping Screw 6-19 x 1/4 Phil. Pan Hd.....	4
6	00-066621-00001	Bracket - Capacitor.....	1
7	00-070487-00026	Capacitor - Motor Start.....	1
8	SD-024-16	Self-Tapping Screw 10-24 x 1/2 Phil. Flat Hd., Type TT.....	1
9	00-070486-00001	End Cap - Capacitor.....	1
10	SD-015-40	Self-Tapping Screw 8-32 x 3/8 Phil. Pan Hd., Type TT.....	1
11	00-915288	Bracket - Start Switch.....	1
12	00-271612-00002	Switch - Electronic Start (50/60 Hz.).....	1
13	SD-015-38	Self-Tapping Screw 6-32 x 3/8 Phil. Pan Hd., Type TT.....	2
14	SD-038-22	Self-Tapping Screw 10-24 x 1/2 Hex Washer Hd., Type RL.....	7
15	00-915252	Bar - Transport Roller.....	1
16	00-938069	Cord & Plug Assy.....	1
17	00-875371	Foot - Tall.....	4
18	00-938052	Extension - Leg.....	4
19	00-938285	Leg Assy. (Incls. Item 21).....	4
20	00-937894	Cover - Bottom.....	1
21	SC-131-98	Screw - Leg Set.....	4
22	SD-038-16	Self-Tapping Screw 6-32 x 3/8 Hex Washer Hd., Type RL.....	AR
23	00-078752-00013	Clamp.....	1
24	SC-128-96	Mach. Screw 8-32 x 3/8 Phil. Truss Hd. (SST).....	4
25	00-915419	Washer - Bezel Mounting.....	2
26	SC-123-73	Mach. Screw 10-32 x 3/4 Hex Hd. (SST).....	1
27	NS-049-32	Nut 10-32 Hex.....	1
28	SC-131-67	Mach. Screw 6-32 x 3/16 Slotted Pan Hd. (SST).....	1
29	SC-089-03	Cap Screw 1/4-20 x 7/8 Hex Socket Hd.....	1
30	WL-003-35	Lockwasher 1/4 Helical.....	1
31	00-915317	Block - Interlock Mount.....	1
32	00-915621	Bracket Assy.....	1
33	00-478427	Spacer - Nylon.....	1
34	00-087711-00358	Switch - Miniature.....	1
35	SC-131-68	Mach. Screw 4-40 x 5/8 Slotted Fil. Hd. (SST).....	1
36	00-915608	Actuator (Close to Stop).....	1
37	PB-004-91	Plug Button.....	1
38	00-938070	Cable - USB.....	1
39	00-938071	Cable Assy. - Service Switch.....	1
40	00-938072	Cable Assy. - Power.....	1
41	00-938114	Harness - Power Supply.....	1



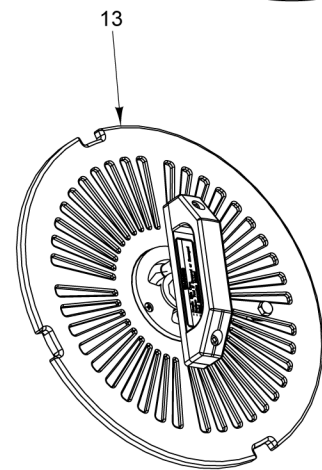
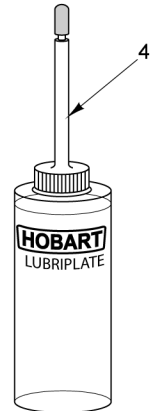
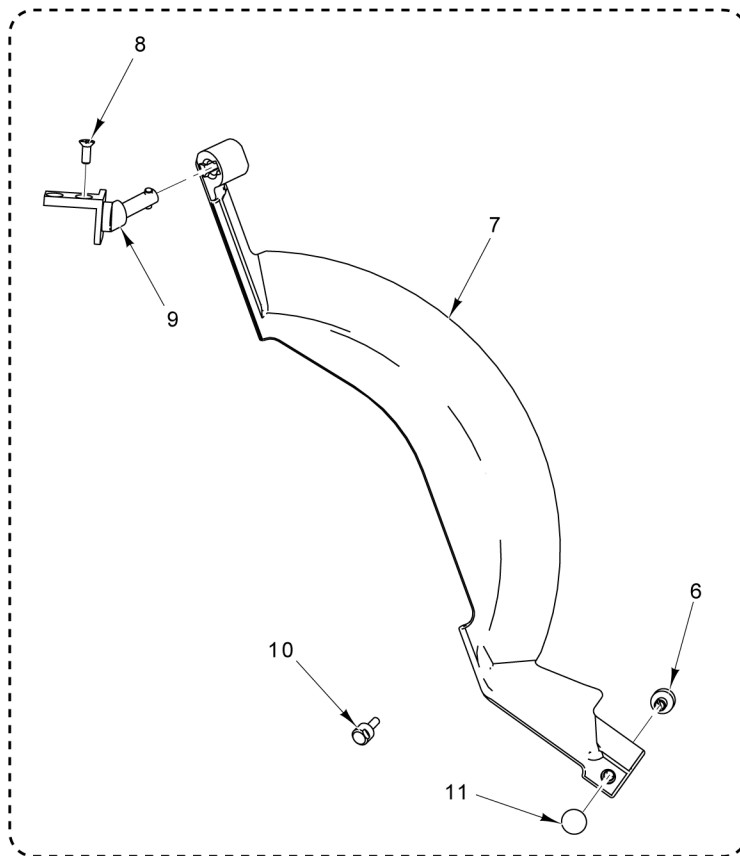
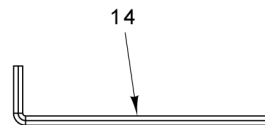
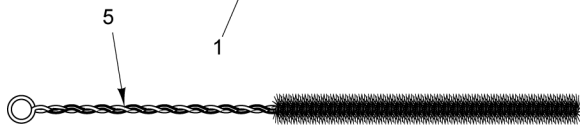
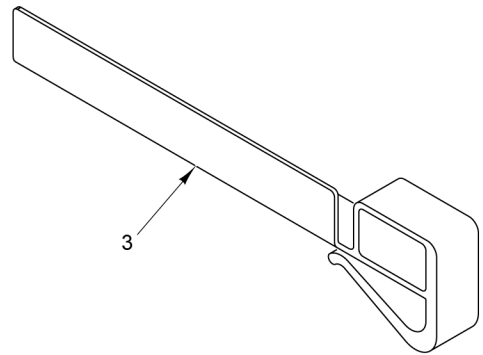
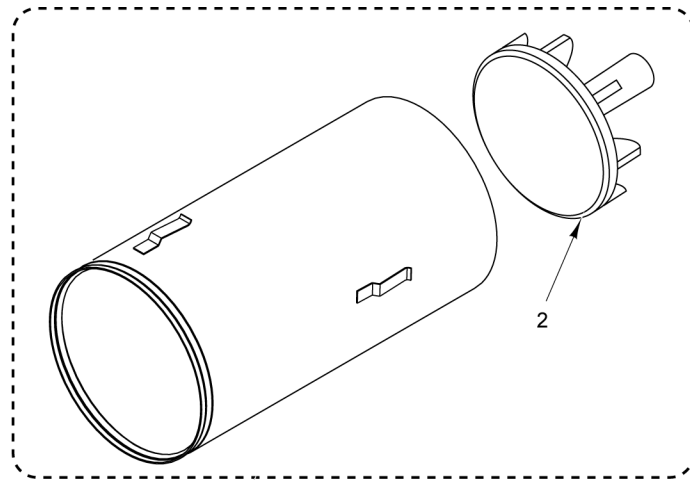
00-938298 Harness - Wire

PL-61219

WIRE HARNESS

WIRE HARNESS

ILLUS.	PART NO.	NAME OF PART	AMT.
1	00-938298	Harness - Wire.....	1



PL-61180

ACCESSORIES

ACCESSORIES

ILLUS.	PART NO.	NAME OF PART	AMT.
PL-61180			
1	00-915593	Food Chute Assy. (Packaged) (Incls. Item 2).....	1
2	00-075945	Pusher Assy. - Plate.....	1
3	00-915266	Fence - Product.....	1
4	00-937631	Bottle - Oil (4 Oz.).....	1
5	00-915643	Brush - Tube.....	1
6	00-914587	Foot - Adjustable Deflector.....	1
7	00-914585-00002	Deflector - Product.....	1
8	SC-022-79	Mach. Screw 6-32 x 3/8 Phil. Flat Hd. (SST).....	2
9	00-914649	Mount - Product Deflector.....	1
10	00-914596	Stud - Product Deflector.....	1
11	00-914597	Cap - Product Deflector.....	1
12	00-914702	Product Deflector Kit (Incls. Items 6 thru 11).....	1
13	00-914758	Knife Removal Tool Assy. (Packaged).....	1
14	00-938440	Key - Hex 5/32.....	1

