



Project _____
 AIA # _____ SIS # _____
 Item # _____ Quantity _____ C.S.I. Section 114000



DEALERS CHOICE PREP TABLES

UST SERIES

Compact Sandwich Prep Tables with Flat Cover/Self-Contained UST 48" Wide Models



STANDARD PRODUCT FEATURES

- High Quality Stainless Steel Exterior Top, Sides & Door(s)
- Durable, Corrosion Resistant Anodized Aluminum Interior
- Provides NSF Standard 7 Performance, Even When Using 6" Deep Pans
- Standard Work Height 34-3/8" on 4" casters
- Environmentally Friendly, Non-Flammable R-450A Refrigerant
- Top Cut-Outs Accommodate Sixth Size Pans (divider bars and 4" deep plastic sixth size pans provided)
- Reinforced Pan Ledge (holds pans securely level)
- Reversible, Full Length White Nylon Cutting Board
- Self-Closing Stainless Steel Doors with Convenient Stay Open Feature at 105 Degrees
- Guaranteed for Life Workflow Handle
- Interior Mounted Thermometer
- Two (2) Powder Coated Steel Shelves Per Door, Mounted on Adjustable Pilasters
- Set of Four (4) 4" Casters
- Magnetic Snap-In EZ Clean Door Gasket(s)
- 3-Year Parts And Labor Warranty
- 2-Years Additional Compressor Parts Warranty



This unit is listed to the applicable UL, CSA and NSF Standards by an approved NRTL. Consult the factory or unit's data plate for approval information.

AVAILABLE CONFIGURATIONS

27", 32", 48", 60" & 72" Wide Models

| Model | Model Type |
|---------|-----------------------|
| UST488 | 48" Wide 8 Pan Model |
| UST4812 | 48" Wide 12 Pan Model |
| UST4818 | 48" Wide 18 Pan Model |

ACCESSORIES & OPTIONS (*field installed)

- CK20 (four 6" (15.2 cm) high casters for 48" models)
- CK24 (four 3-1/2" (8.9 cm) high casters for 48" models)
- CK26 (four 2-3/4" (6.9 cm) high casters for 48" models)
- CUACC-LEGSET4 (four 6" (15.24 cm) high legs for 48" models)
- SHELF48-UPPER (upper shelf for 48" models)
- SHELF48-LOWER (lower shelf for 48" models)
- Optional accessory kits shipped separately for field installation

Factory Installed Options

Stainless Steel Finished Back * Other Door Hinging

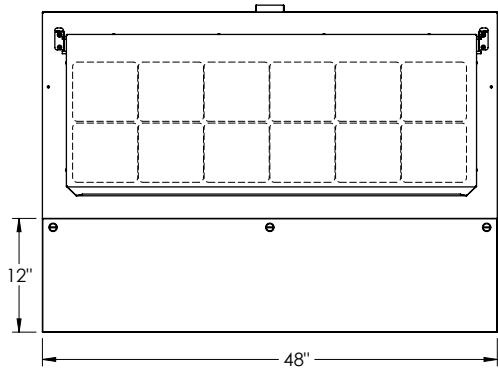
CONTINUED PRODUCT DEVELOPMENT MAY NECESSITATE SPECIFICATION CHANGES WITHOUT NOTICE.

Approved by _____ Date _____ Approved by _____ Date _____

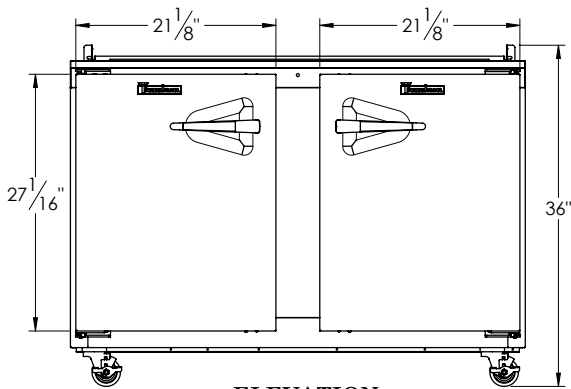
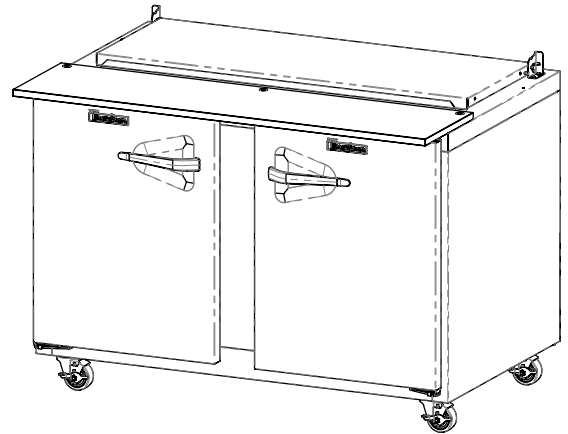


MODELS:
UST4812

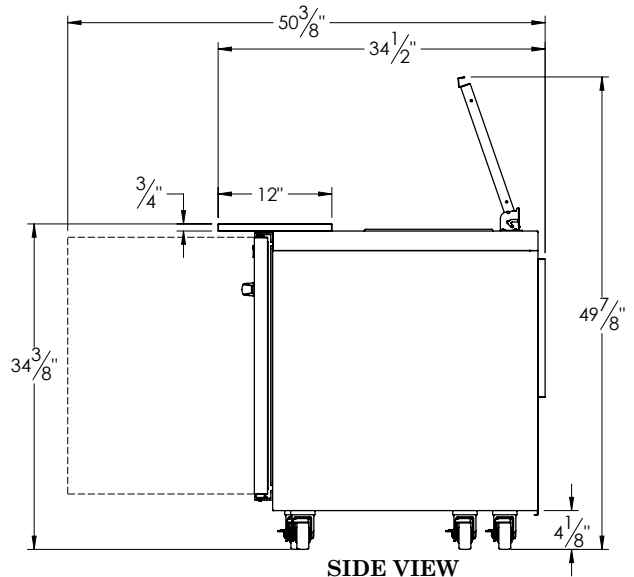
CLICK 
TRANSFER
For KCL CADalog Website



TOP VIEW



ELEVATION



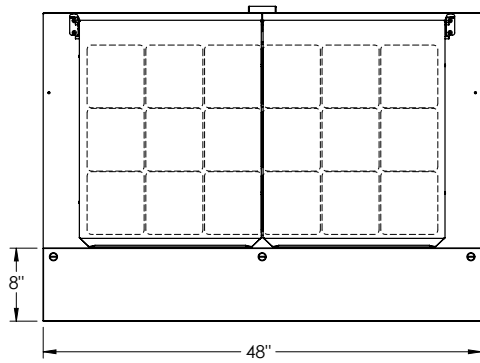
SIDE VIEW

UST SERIES

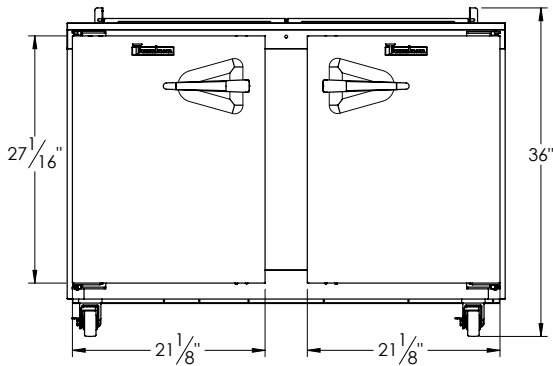
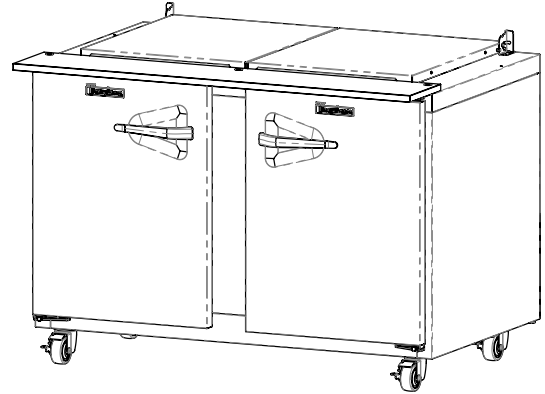
Compact Sandwich Prep Table

MODELS:

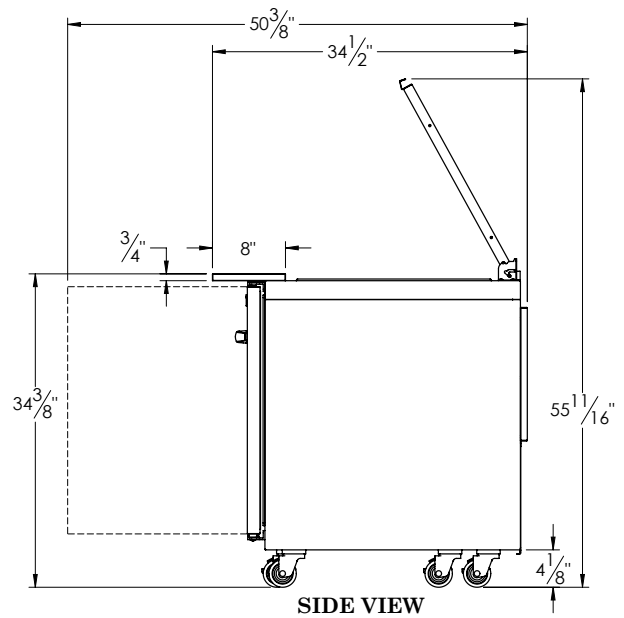
UST4818



TOP VIEW



ELEVATION



SIDE VIEW



UST SERIES

Compact Sandwich Prep Tables Self-Contained

MODELS

Door Models: UST488, UST4812, UST4818

EQUIPMENT SPECIFICATIONS

| MODELS | UST488 | UST4812 | UST4818 |
|--|------------|------------|------------|
| CABINET DIMENSIONAL DATA | | | |
| Volume | N/A | N/A | N/A |
| # of 1/6 Size Pan Top | 8 | 12 | 18 |
| Width- Cabinet | 48" | 48" | 48" |
| Width-Door | 21 1/8" | 21 1/8" | 21 1/8" |
| Depth-door open 90° | 50 5/8" | 50 5/8" | 50 5/8" |
| Depth-Cutting Board | 12" | 12" | 8" |
| Height -Lid Open at 70° | 16 1/4" | 16 1/4" | 23 3/4" |
| Clear Door Opening | 18" | 18" | 18" |
| # of Doors | 2 | 2 | 2 |
| # of Shelves | 4 | 4 | 4 |
| Total Shelf area sq. ft | 10.3 | 10.3 | 10.3 |
| ELECTRICAL DATA & REFRIGERATION DATA 115/60/1 NEMA 5-15P | | | |
| Full Load Amps | 7.5 | 7.5 | 7.5 |
| MDEC ¹ | N/A | N/A | N/A |
| Refrigerant | R-450A | R-450A | R-450A |
| Refrigerant Amt oz. (gr) | 12.5 (354) | 12.5 (354) | 12.5 (354) |
| BTU/HR H.P. ² | 1390 (1/4) | 1390 (1/4) | 1390 (1/4) |
| SHIPPING DATA | | | |
| Width Crated in. (cm) | 69" (175) | 69" (175) | 69" (175) |
| Volume Crated cu. ft. (l) | 69 (1954) | 69 (1954) | 69 (1954) |
| Weight lbs. (kg) - Crated | 332 (151) | 332 (151) | 332 (151) |

CONSTRUCTION, HARDWARE, INSULATION

Cabinet exterior front, sides, pan cover lid and doors are constructed of 22 gauge stainless steel. Cabinet interior and door liners are constructed of anodized aluminum. The exterior cabinet back at the bottom are constructed of galvanized steel.

Doors self close at less than 90 degrees and also includes a stay open feature at 105 degrees. Gasket profile and Santoprene® material simplify cleaning and increase overall gasket life.

Both the cabinet and doors are insulated with an average of 2" thick high density non-CFC, foamed in place polyurethane. A 3/4" thick, full-length, reversible white nylon cutting board is supplied standard.

Pans & Cover

Each model is supplied standard with its full compliment of 4" deep plastic 1/6 size pans and stainless steel pan dividers. The pan cover and lid are constructed of stainless steel, and is easily removable for cleaning.

REFRIGERATION SYSTEM

A balanced, rear mounted, front breathing, self-contained refrigeration system using environmentally friendly, non-flammable R-450A refrigerant is provided. It features a capillary tube metering device, air cooled hermetic compressor, a forced air evaporator coil and a non-electric condensate evaporator. An 8' cord and plug is provided. Standard operating temperature of the refrigerated base is 34° to 38°F (1.1° to 3.3°C).

INTERIOR

Standard interior arrangements include two (2) powder coated wire shelves per door, mounted on pilasters. These are adjustable in 1/2" (1.27 cm) increments, allowing for a minimum of 1-1/2" (3.81 cm) spacing between shelves.

WARRANTIES

Both a three year parts and labor warranty and a five year compressor parts warranty (self-contained models only) are provided standard.

NOTES:

- MDEC = Maximum Daily Energy Consumption
 - Compressor BTU based on a 90°F ambient and 20°F evaporator
- When ordering please specify: Voltage, Hinging, Optional Accessories and any additional warranties.
 - This unit may be manufactured in other electrical characteristics and may have additional regulatory agency approvals. Consult factory for other electrical characteristics and agency approvals based on specific electrical and country requirements. [For exact electricals information and approval marks, always refer to the data label of the unit.]

CONTINUED PRODUCT DEVELOPMENT MAY NECESSITATE SPECIFICATION CHANGES WITHOUT NOTICE.