



CATALOG OF REPLACEMENT PARTS



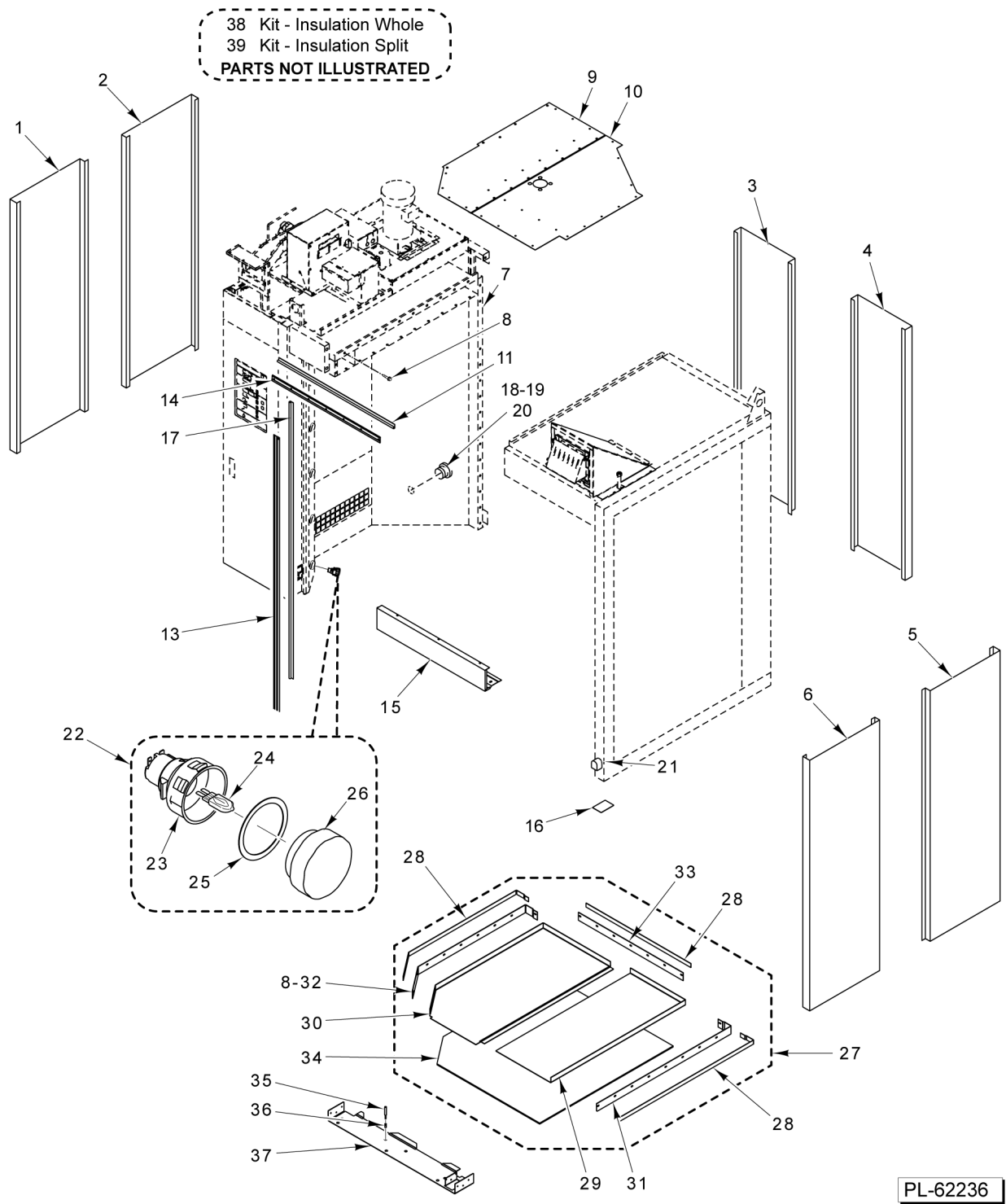
CS500G1 GAS RACK OVEN

ML-132593

CS500G1

Table of Contents

| | |
|----|---------------------------------------|
| 5 | CABINET |
| 7 | BLOWER, PANELS, AND VENTS |
| 9 | CEILING AND SHUTTERS |
| 11 | STEAMER ASSEMBLY |
| 13 | EXTERIOR WATER SUPPLY |
| 15 | DRAFT INDUCER |
| 17 | CONTROL CABINET, DOOR, AND CONTROLLER |
| 19 | GAS BURNER AND HEAT CIRCULATION |
| 21 | GAS SUPPLY PLUMBING |
| 23 | COMPONENT BOX |
| 25 | LOADING DOOR |
| 27 | LIFTER |
| 29 | ROTATOR |
| 31 | CARRIER |
| 33 | HOOD - TYPE II |

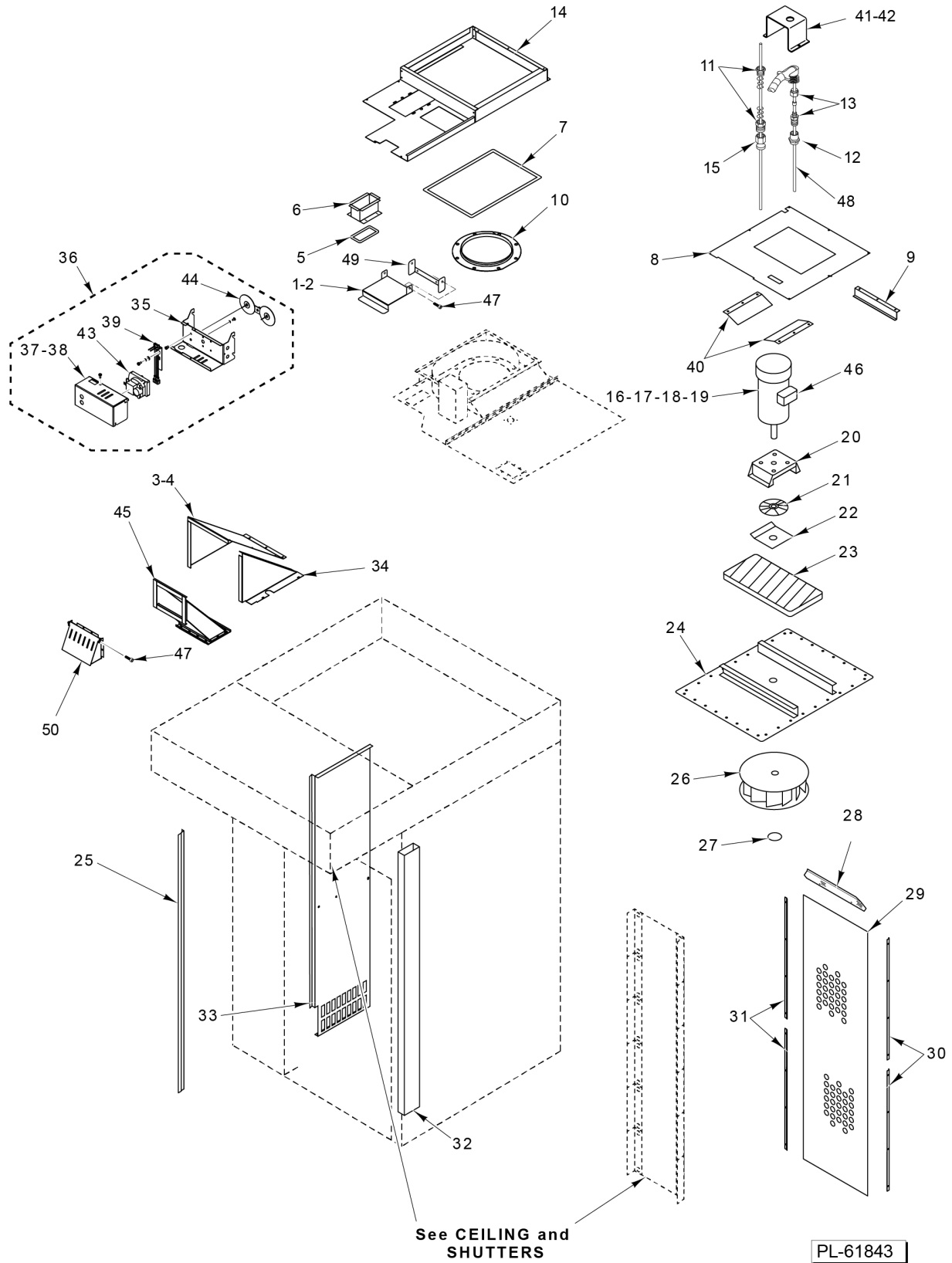


CABINET

CABINET

| ILLUS. | PART NO. | NAME OF PART | AMT. |
|----------|-----------------|--|------|
| PL-62236 | | | |
| 1 | 01-1M5672-00002 | Skin - Outer..... | 1 |
| 2 | 01-1M5672-00001 | Skin - Outer..... | 1 |
| 3 | 01-1M5672-00002 | Skin - Outer..... | 1 |
| 4 | 01-1M5672-00001 | Skin - Outer..... | 1 |
| 5 | 01-1M5672-00002 | Skin - Outer..... | 1 |
| 6 | 01-1M5672-00001 | Skin - Outer..... | 1 |
| *7 | 01-100V21-0065A | Tape - Fiberglass (1/8 x 1) (With Adhesive)..... | AR |
| 8 | 01-1000V4-00283 | Mach. Screw 1/4-20 x 3/4 Hex Washer Hd. (SST)..... | AR |
| 9 | 01-1M5460-00001 | Panel - False Ceiling (LH)..... | 1 |
| 10 | 01-1M5460-00002 | Panel - False Ceiling (RH)..... | 1 |
| 11 | 01-100V16-0789F | Gasket - Loading Door (Horizontal)..... | 1 |
| 13 | 01-1M7090-00202 | Retainer - Gasket (Vertical)..... | 2 |
| 14 | 01-1M7090-00101 | Retainer - Gasket (Horizontal)..... | 1 |
| 15 | 01-1M7031-00001 | Header - Top Door Loading..... | 1 |
| 16 | 01-1M5610-00201 | Shim..... | 1 |
| 17 | 01-100V16-0789E | Gasket - Loading Door (Vertical)..... | 2 |
| 18 | 01-100V17-00865 | Pipe 1/2 NPT x 3-1/2 In. (SST)..... | 1 |
| 19 | 01-100V17-00767 | Pipe 1/2 NPT X 10 (SST)..... | 1 |
| 20 | 01-100V17-00860 | Tee 1/2 NPT (SST)..... | 1 |
| 21 | 01-1M2335-00001 | Wheel (For Installation)..... | 1 |
| 22 | 01-1M7311-00001 | Kit - Light Replacement (Incls. Items 23 thru 26)..... | AR |
| 23 | 01-1000V7-00057 | Base - Halogen Oven Lamp..... | AR |
| 24 | 01-1000V7-00054 | Bulb - Halogen G9 Base..... | AR |
| 25 | 01-1000V7-00059 | Ring - Pressure..... | AR |
| 26 | 01-1000V7-00058 | Lens - Oven Lamp..... | AR |
| 27 | 01-1M7104-00001 | Kit - Floor (Incls. Items 28 thru 34)..... | 1 |
| 28 | 01-100V21-0065A | Tape - Fiberglass (1/8 x 1)..... | AR |
| 29 | 01-1M7101-00101 | Floor - Skin (RH)..... | 1 |
| 30 | 01-1M7102-00101 | Floor - Skin (LH)..... | 1 |
| 31 | 01-1M7105-00101 | Trim - Floor (Right)..... | 1 |
| 32 | 01-1M7105-00103 | Trim - Floor (Left)..... | 1 |
| 33 | 01-1M7105-00102 | Trim - Floor (Rear)..... | 1 |
| 34 | 01-1M7688-00101 | Insulation - Floor..... | 1 |
| 35 | 01-1000V4-0073A | Tool - Setting..... | 1 |
| 36 | 01-1000V4-00073 | Anchor - Drop-In 1/4-20..... | 1 |
| 37 | 01-1M7047-00101 | Plate - Threshold..... | 1 |
| 38 | 01-1M7691-00001 | Kit - Insulation (Complete Oven Kit)..... | 1 |
| 39 | 01-1M7689-00001 | Kit - Insulation (Center Seam & Header)..... | 1 |

* (Sold Per Inch)

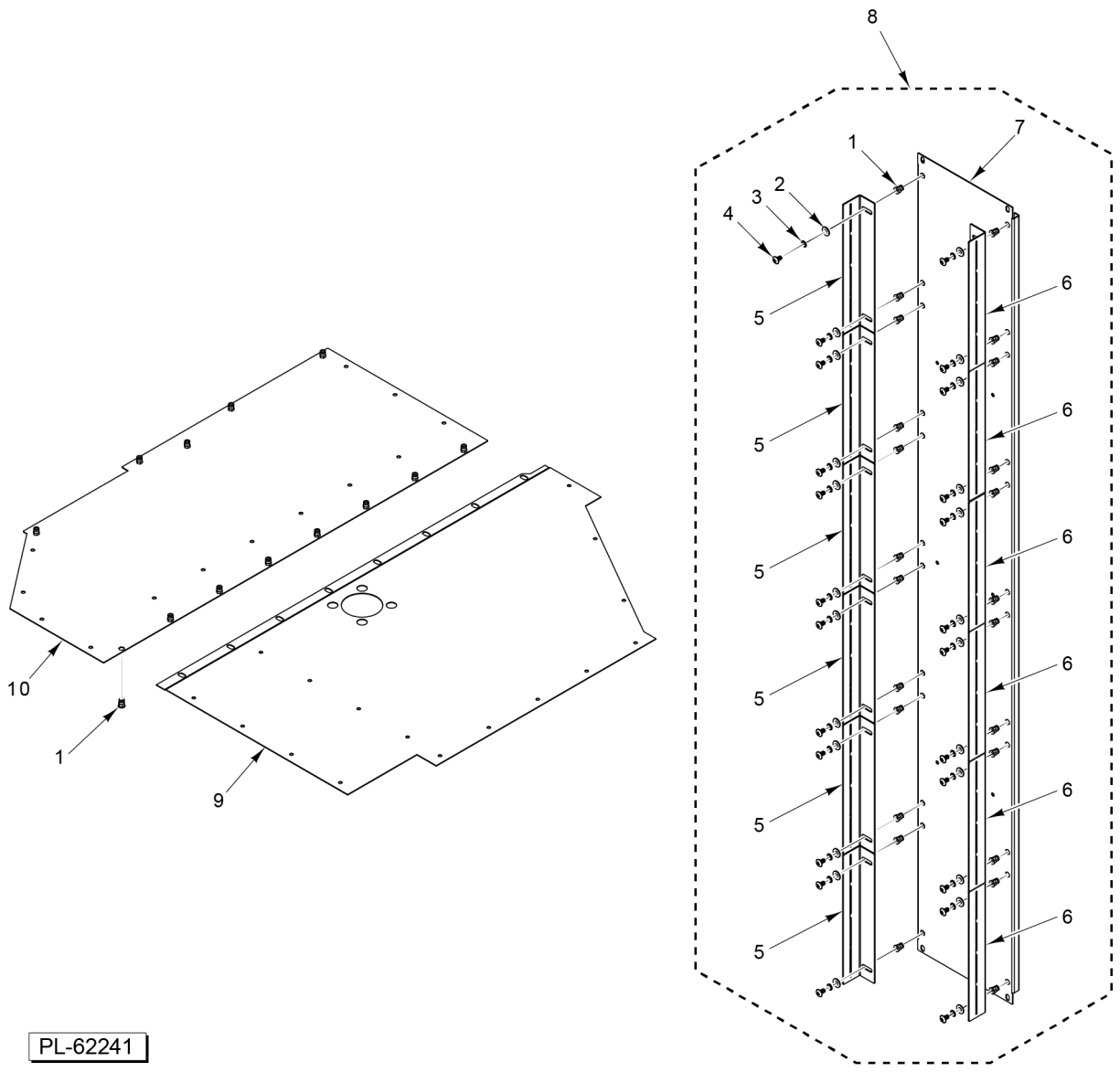


BLOWER, PANELS, AND VENTS

BLOWER, PANELS, AND VENTS

| ILLUS. PL-62239 | PART NO. | NAME OF PART | AMT. |
|--------------------|-----------------|--|------|
| 1 | 01-1M6549-00001 | Vent - Intake Lid..... | 1 |
| 2 | 01-100V16-00682 | Gasket - Vent Duct..... | 1 |
| 3 | 01-1M6814-00001 | Duct Assy. (Incls. Items 4 & 34)..... | 1 |
| 4 | 01-1M6814-00102 | Cover - Duct (Top)..... | 1 |
| *5 | 01-100V21-00072 | Rope - Glass (3/4 Dia.)..... | AR |
| 6 | 01-1M5462-00001 | Weldment - Rope Gasket..... | 1 |
| *7 | 01-100V21-0065A | Tape - Fiberglass (1/8 x 1)..... | AR |
| 8 | 01-1M5542-00001 | Cover - Blower Insulation..... | 1 |
| 9 | 01-1M2227-00001 | Liner - Blower Insulation Cover..... | 2 |
| 10 | 01-1M2451-00001 | Bell - Inlet..... | 1 |
| 11 | 01-100V17-00304 | Kit - Stuffing Box..... | 1 |
| 12 | 01-100V17-00257 | Coupling 1/4 NPT (Brass)..... | 1 |
| 13 | 01-100V17-00279 | Fitting 1/4 x 3/16..... | 1 |
| 14 | 01-1M7059-00001 | Body - Insulation Blower Cover (LH)..... | 1 |
| 15 | 01-100V17-00281 | Coupler - Reducer 3/8 to 1/4..... | 1 |
| 16 | 01-1M2060-00002 | Blower Assy. (3 Ph.) (Incls. Items 18, 20 thru 24, 26, & 27)..... | 1 |
| 17 | 01-1M2060-00004 | Blower Assy. (1 Ph.) (Incls. Items 19 thru 24, 26, & 27)..... | 1 |
| 18 | 01-1000V8-00052 | Motor - Blower (3 Ph., 1-1/2 Hp.)..... | 1 |
| 19 | 01-1000V8-00067 | Motor - Blower (1 Ph., 2 Hp.)..... | 1 |
| 20 | 01-1M1360-00001 | Mount - Blower Motor..... | 1 |
| 21 | 01-1M2458-00001 | Heat Slinger Assy..... | 1 |
| 22 | 01-1M1794-00001 | Cover - Blower Insulation..... | 1 |
| 23 | 01-1M1795-00001 | Insulation - Blower..... | 1 |
| 24 | 01-1M2059-00001 | Mount - Blower Weldment..... | 1 |
| 25 | 01-1M5476-00001 | Bracket - Mounting (Suction Panel)..... | 1 |
| 26 | 01-1000V8-00041 | Wheel - Blower (15 In. Dia.)..... | 1 |
| 27 | 01-1000V1-00028 | Ring - Snap..... | 1 |
| 28 | 01-1M2101-00004 | Z-Bar (Pressure Panel)..... | 1 |
| 29 | 01-1M2572-00001 | Screen - Pressure Panel..... | 1 |
| 30 | 01-1M2479-00002 | Retainer - Pressure Screen (RH)..... | 2 |
| 31 | 01-1M2479-00003 | Retainer - Pressure Screen (LH)..... | 2 |
| 32 | 01-1M2089-00001 | Duct - Bottom Vent..... | 1 |
| 33 | 01-1M6964-00001 | Panel - Suction..... | 1 |
| 34 | 01-1M6814-00101 | Cover - Duct (Side)..... | 1 |
| 35 | 01-1M6551-00101 | Bracket - Mounting (Vent)..... | 1 |
| 36 | 01-1M6551-00001 | Vent - Motor Actuator - Assy. (Incls. Items 35, 37, 38, 39, 43, & 44)..... | 1 |
| 37 | 01-1M6551-00102 | Bracket - Vent Cover..... | 1 |
| 38 | 01-1M7509-00001 | Kit, Vent Motor Replacement..... | 1 |
| 39 | 01-1M6552-00001 | Vent Switch Assy. (Vertical Screw Pattern)..... | 1 |
| 40 | 01-1M1895-00001 | Cover - Blower Insulation..... | 2 |
| 41 | 01-1M1433-00001 | Protector - Thermocouple..... | 1 |
| 42 | 01-1M5515-00001 | Thermocouple Assy. - Conduit & Thermocouple..... | 1 |
| 43 | 01-1000V8-00179 | Motor - Vent Gear (4 RPM, 1/250 HP)..... | 1 |
| 44 | 01-1M6553-00001 | Cam - Vent Switch..... | 1 |
| 45 | 01-1M6803-00001 | Duct - Vent..... | 1 |
| 46 | 01-1000V6-00233 | Contact - Blower..... | 1 |
| 47 | 01-1000V4-00572 | Shoulder Screw, #10-32 X 3/8 Thread Length, .25 DIA X 3/8 Shoulder Length..... | 2 |
| 48 | 01-1A1828-00001 | Kit - Thermocouple..... | 1 |
| 49 | 01-1M6550-00101 | Bracket - Vent Lid..... | 1 |
| 50 | 01-1M5624-00001 | Over Pressure Vent Assy..... | 1 |

* (Sold Per Inch)

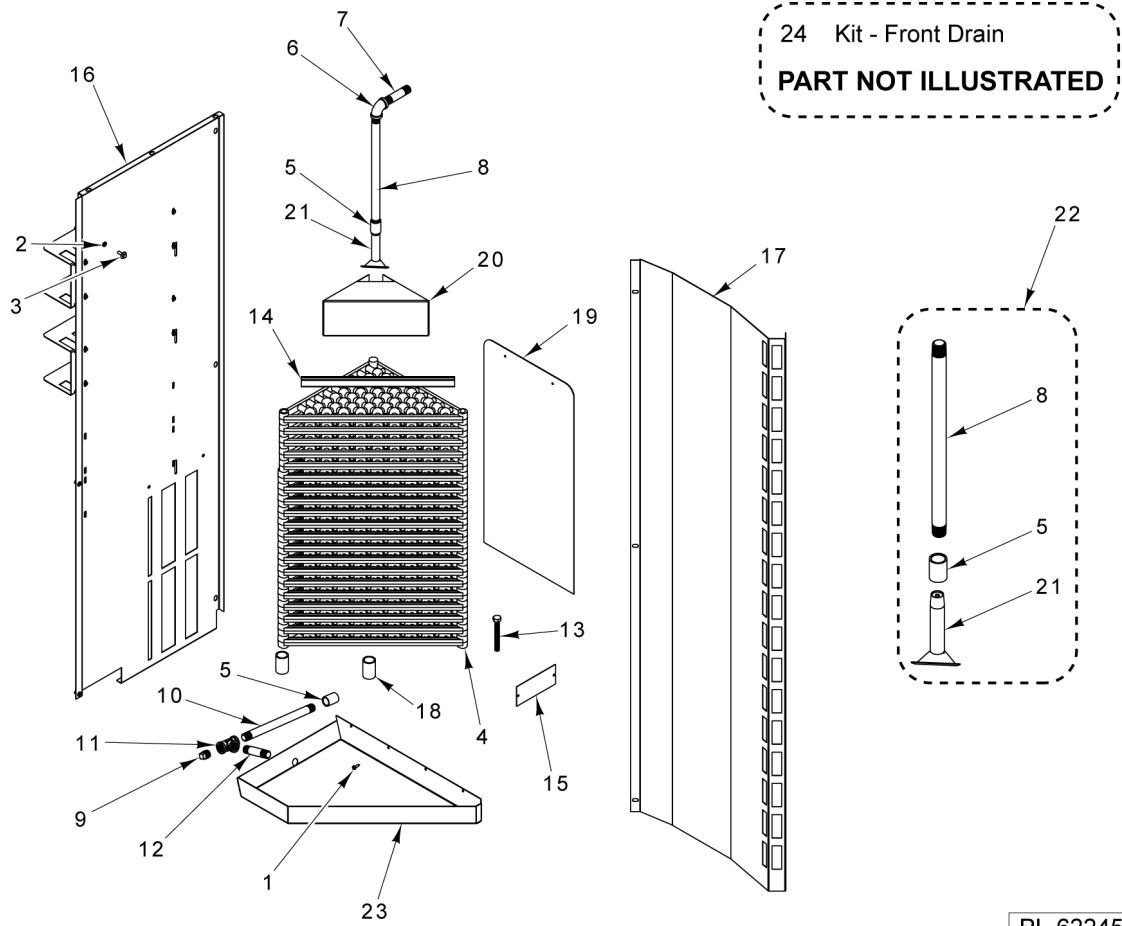


PL-62241

CEILING AND SHUTTERS

CEILING AND SHUTTERS

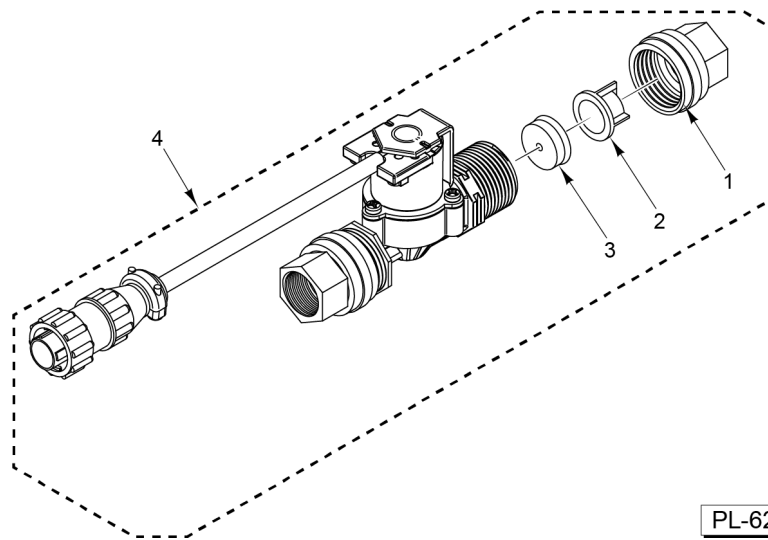
| ILLUS. | PART NO. | NAME OF PART | AMT. |
|----------|-----------------|---|------|
| PL-62241 | | | |
| 1 | 01-1000V4-00122 | Insert - Threaded 1/4-20..... | AR |
| 2 | 01-1000V4-00433 | Washer 1/4 In. (SST)..... | AR |
| 3 | 01-1000V4-00470 | Lockwasher 1/4 In. (SST)..... | AR |
| 4 | 01-1000V4-00503 | Mach. Screw 1/4-20 x 1/2 In. (SST)..... | AR |
| 5 | 01-1M5459-00001 | Shutter - Pressure Panel 90 Deg..... | 6 |
| 6 | 01-1M5459-00002 | Shutter - Pressure Panel 97 Deg..... | 6 |
| 7 | 01-1M5523-00001 | Body - Pressure Panel Shutter Support..... | 1 |
| 8 | 01-1M5458-00001 | Panel - Pressure Shutter Assy. (Incls. Items 1 thru 7)..... | 1 |
| 9 | 01-1M5460-00002 | Panel - False Ceiling (RH)..... | 1 |
| 10 | 01-1M5460-00001 | Panel - False Ceiling (LH)..... | 1 |



STEAMER ASSEMBLY

STEAMER ASSEMBLY

| ILLUS. PL-62245 | PART NO. | NAME OF PART | AMT. |
|--------------------|-----------------|--|------|
| 1 | 01-1000V4-00009 | Screw - Sheet Metal Hex Hd. #10 X 3/4 In..... | AR |
| 2 | 01-1000V4-00122 | Insert - Threaded 1/4-20..... | AR |
| 3 | 01-1000V4-00283 | Mach. Screw 1/4-20 x 3/4 Hex Washer Hd. (SST)..... | AR |
| 4 | 01-100V16-00529 | Casting - Steamer..... | 15 |
| 5 | 01-100V17-00183 | Coupler 1/2 In. (SST)..... | 2 |
| 6 | 01-100V17-00347 | Elbow 1/2 In. x 90 Deg. (SST)..... | 1 |
| 7 | 01-100V17-00534 | Pipe 1/2 x 3-1/2 (SST)..... | 1 |
| 8 | 01-100V17-00535 | Pipe 1/2 x 14 In. (SST)..... | 1 |
| 9 | 01-100V17-00766 | Plug - 1/2 NPT..... | 1 |
| 10 | 01-100V17-00767 | Pipe 1/2 NPT X 10 (SST)..... | 1 |
| 11 | 01-100V17-00860 | Tee 1/2 NPT (SST)..... | 1 |
| 12 | 01-100V17-00865 | Pipe 1/2 NPT x 3-1/2 In. (SST)..... | 1 |
| 13 | 01-1M2161-00001 | Screw - Leveler..... | 1 |
| 14 | 01-1M5065-00001 | Bracket - Water Guide..... | 7 |
| 15 | 01-1M5446-00002 | Plate - Steam Loader Bolt Cover..... | 1 |
| 16 | 01-1M5471-00002 | Panel Assy. (Rear Steamer)..... | 1 |
| 17 | 01-1M5474-00001 | Panel - Steamer..... | 1 |
| 18 | 01-1M5536-00001 | Support - Steamer Castings..... | 2 |
| 19 | 01-1M6325-00001 | Sheet - Splash..... | 1 |
| 20 | 01-1M7065-00001 | Angle, Steamer Box..... | 1 |
| 21 | 01-1M7100-00001 | Sprayer - Steam Manifold..... | 1 |
| 22 | 01-1M7100-00004 | Manifold Assy. - Steamer..... | 1 |
| 23 | 01-1M7619-00001 | Pan - Drain..... | 1 |
| 24 | 01-1M7672-00001 | Kit - Front Drain..... | 1 |

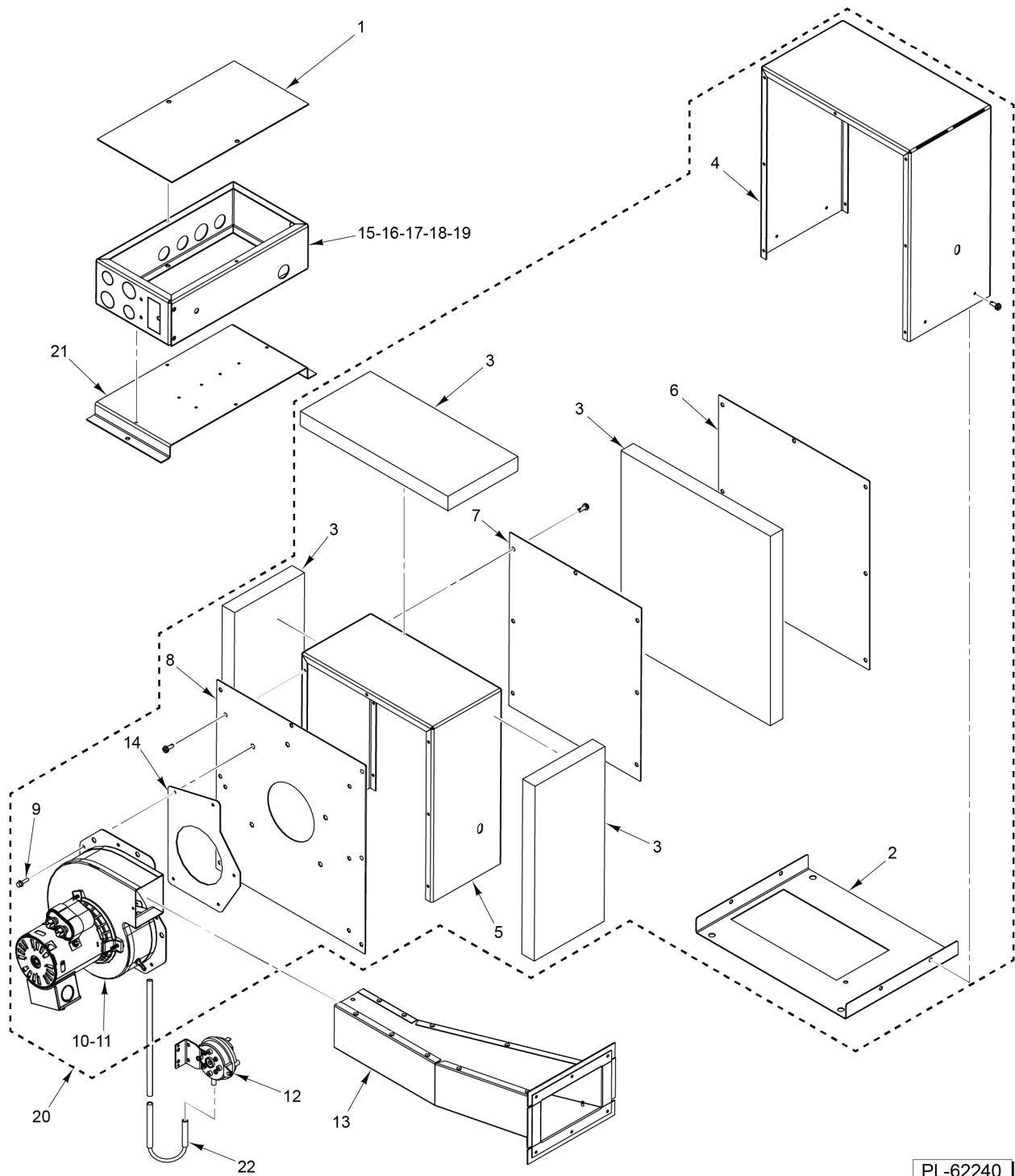


PL-62248

EXTERIOR WATER SUPPLY

EXTERIOR WATER SUPPLY

| ILLUS. | PART NO. | NAME OF PART | AMT. |
|-----------------|-----------------|---|-------------|
| PL-62248 | | | |
| 1 | 01-100V17-00830 | Adapter - Hose to Pipe 3/4 GHTF x 1/2 NPTF..... | 1 |
| 2 | 01-100V17-00838 | Filter - Solenoid Valve (R Series Inlet)..... | 1 |
| 3 | 01-100V17-00839 | Restrictor - Flow (Brown 2 GPM)..... | 1 |
| 4 | 01-1M7494-00001 | Kit - Water Solenoid (Incls. Items 1 thru 3)..... | AR |

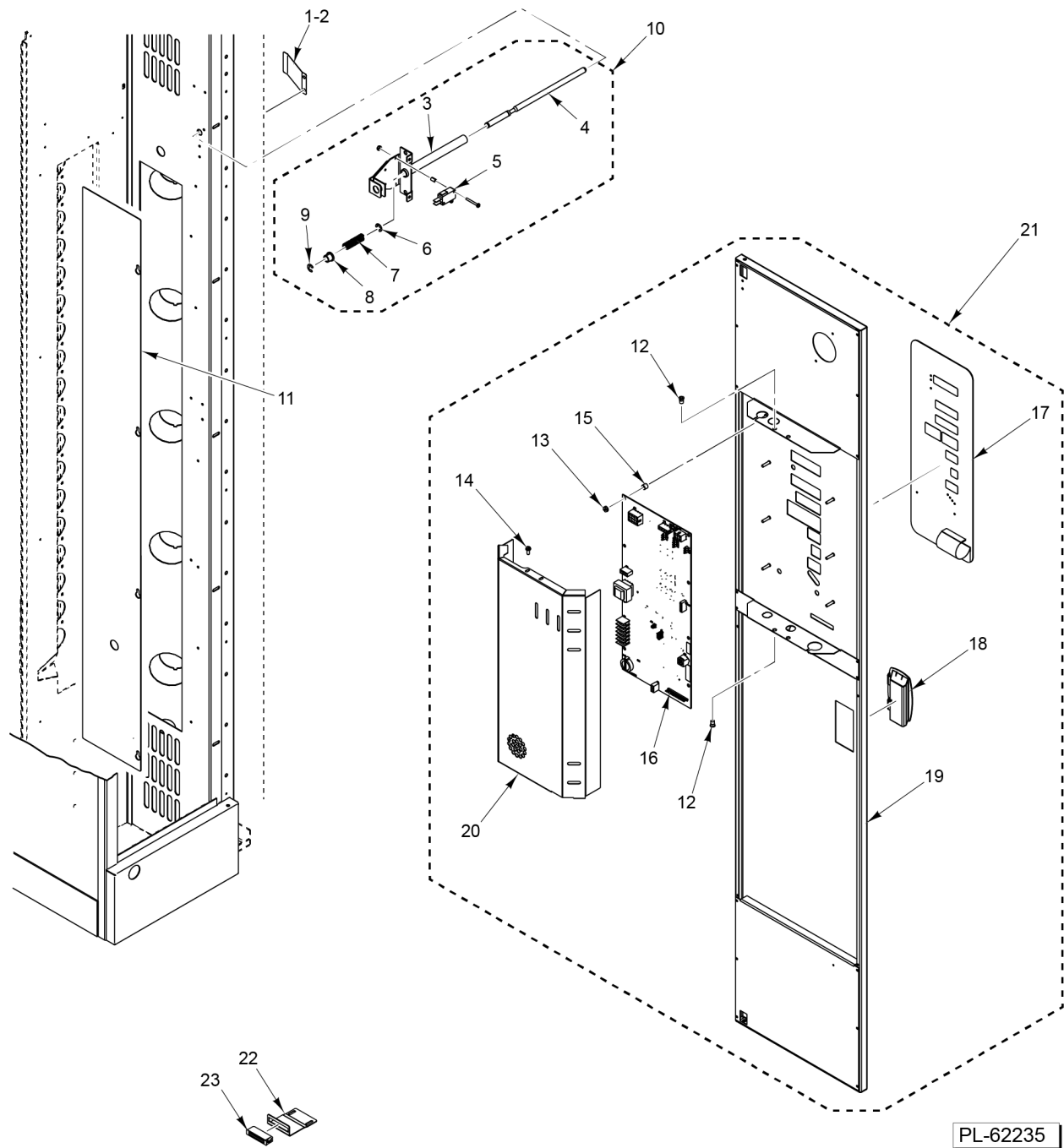


DRAFT INDUCER

DRAFT INDUCER

| ILLUS. | PART NO. | NAME OF PART | AMT. |
|----------|-----------------|--|------|
| PL-62240 | | | |
| 1 | 01-1M5443-00001 | Cover - Junction Box..... | 1 |
| 2 | 01-1M6555-00107 | Bottom - Draft Inducer..... | 1 |
| 3 | 01-1M6631-00001 | Kit - Insulation..... | 1 |
| 4 | 01-1M6555-00102 | Insulation - Cover..... | 1 |
| 5 | 01-1M6555-00101 | Inner - Draft Inducer..... | 1 |
| 6 | 01-1M6555-00104 | Cover - Insulation (Rear)..... | 1 |
| 7 | 01-1M6555-00103 | Side - Draft Inducer..... | 1 |
| 8 | 01-1M7355-00002 | Assy., Mount - Motor - Draft Inducer (Standard G2EE)..... | 1 |
| 9 | 01-1000V4-00284 | Screw 10-32 x 3/4 Hex Washer Hd., Serrated Flange (SST)..... | 8 |
| 10 | 01-1000V8-00156 | Blower Motor - Draft Inducer..... | 1 |
| 11 | 01-1M6661-00002 | Harness, Conduit Assy. - Draft Inducer..... | 1 |
| 12 | 01-1000V6-00396 | Switch - Pressure, -.67" W.C..... | 1 |
| 13 | 01-1M6763-00001 | Duct (Single Rack)..... | 1 |
| *14 | 01-100V16-00956 | Gasket - Insulation (Draft Inducer)..... | 1 |
| 15 | 01-1M5684-00001 | Junction Box (Frame) (Incls. Items 16 thru 19 & Water Sol. Conduit W/Wires)..... | 1 |
| 16 | 01-1M5525-00100 | Box - Junction..... | 1 |
| 17 | 01-1M5659-00002 | Harness - Vent Conduit (Incls. Wires)..... | 1 |
| 18 | 01-1M5660-00002 | Harness - Lifter Conduit (Incls. Wires)..... | 1 |
| 19 | 01-1M5661-00002 | Harness - Blower Conduit (Incls. Wires)..... | 1 |
| 20 | 01-1M6555-00001 | Draft Inducer Assy. (Incls. Items 2 thru 11, & 14)..... | 1 |
| 21 | 01-1M5441-00001 | Panel - Junction Box..... | AR |
| 22 | 01-1M6597-00001 | Tube - Pressure Switch..... | 1 |

* Order with Item 10

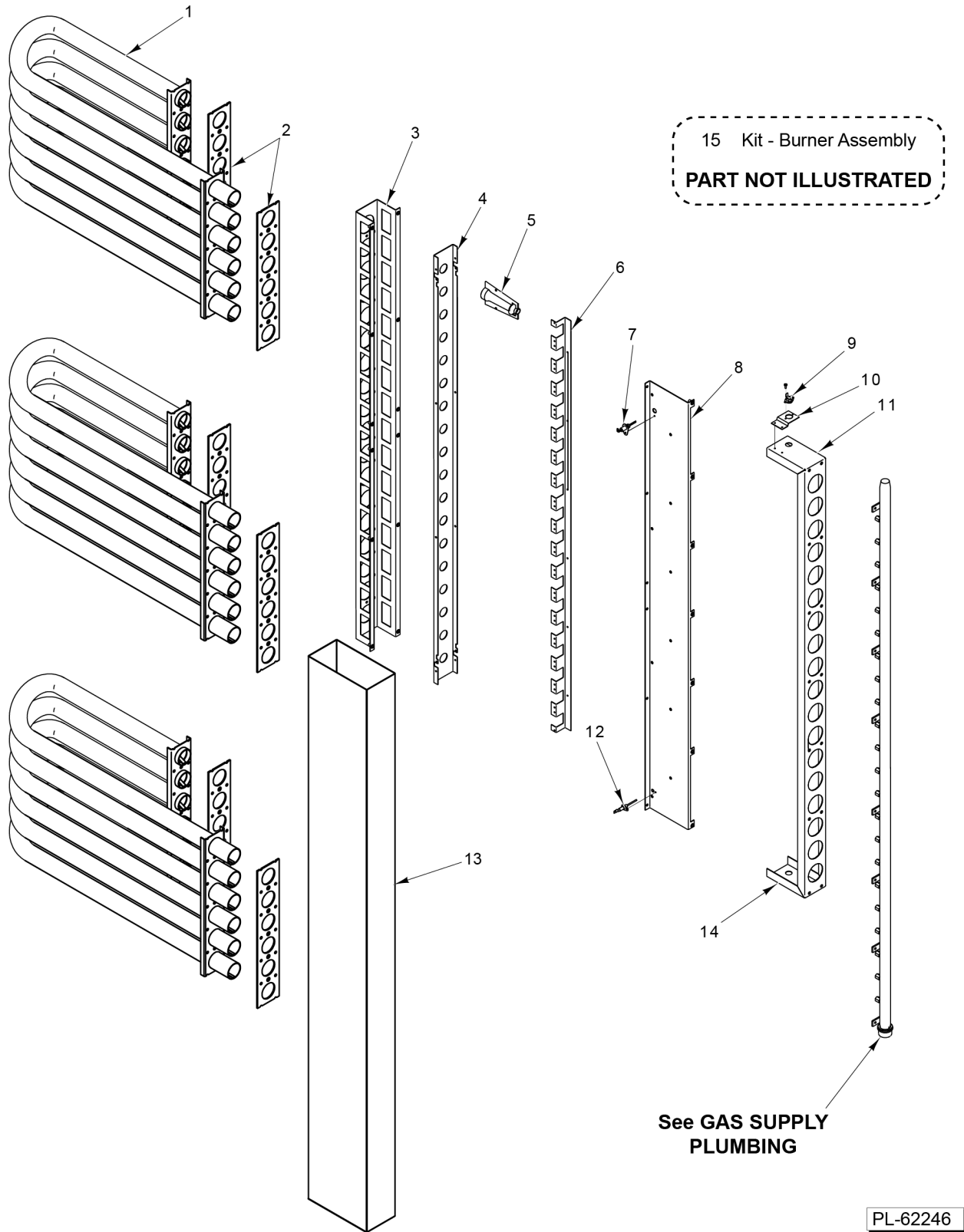


PL-62235

CONTROL CABINET, DOOR, AND CONTROLLER

CONTROL CABINET, DOOR, AND CONTROLLER

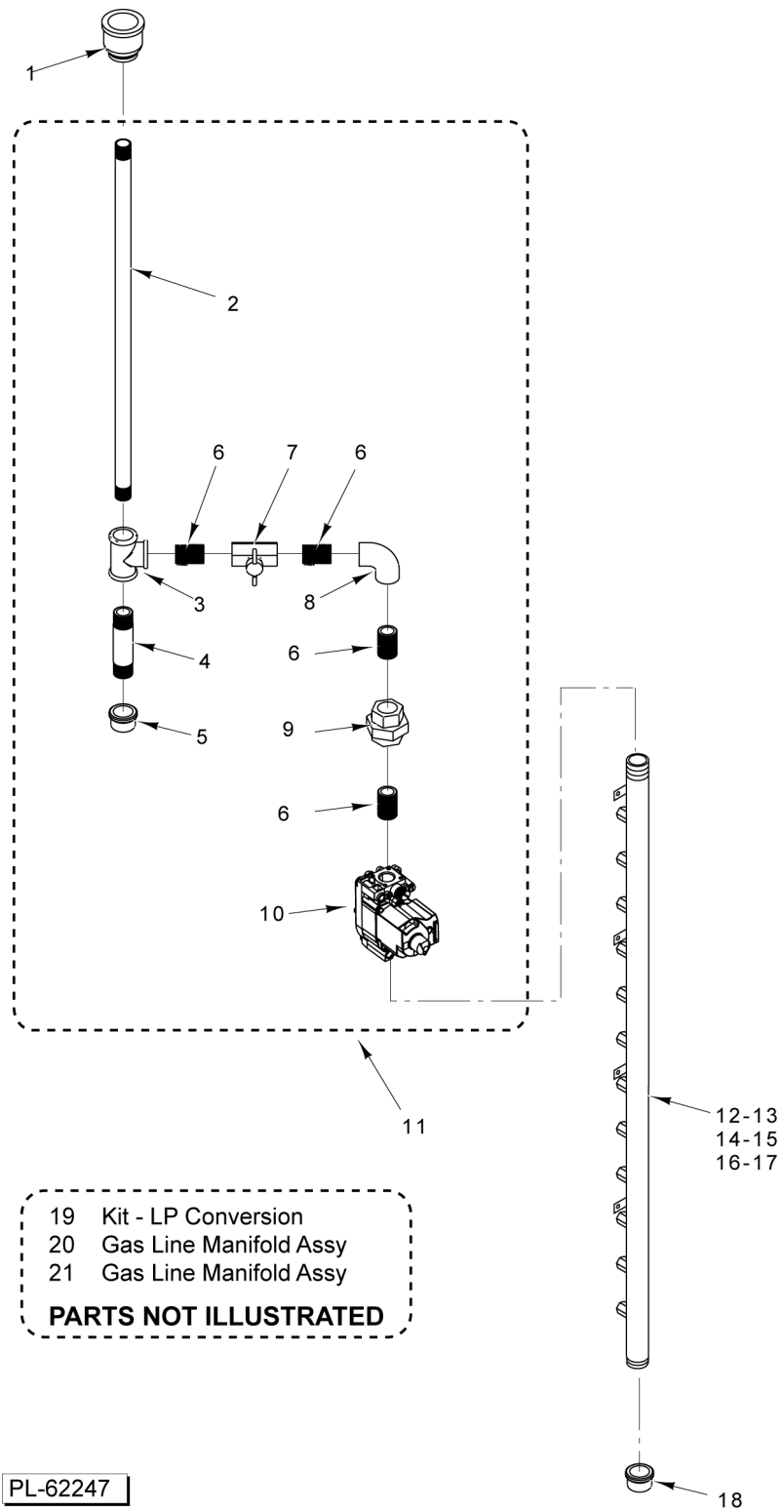
| ILLUS. PL-62235 | PART NO. | NAME OF PART | AMT. |
|--------------------|-----------------|--|------|
| 1 | 01-1000V4-00284 | Screw 10-32 x 3/4 Hex Washer Hd., Serrated Flange (SST)..... | 1 |
| 2 | 01-1M6928-00001 | Plate, Actuator (Door Switch)..... | 1 |
| 3 | 01-1M6478-00001 | Door Switch Assy. (Spring Loaded)..... | 1 |
| 4 | 01-1M6478-00101 | Rod - Actuator..... | 1 |
| 5 | 01-1000V6-00343 | Switch - Lever SPST..... | 2 |
| 6 | 01-1000V1-00078 | Clip - E-Door..... | 1 |
| 7 | 01-100V20-00027 | Spring - Compression..... | 1 |
| 8 | 01-1M6478-00103 | Bearing (Bronze)..... | 1 |
| 9 | 01-1000V1-00078 | Clip - E-Door..... | 1 |
| 10 | 01-1M6478-00001 | Door Switch Assy. (Spring Loaded)..... | 1 |
| 11 | 01-1M5150-00001 | Cover - Light Access..... | 1 |
| 12 | 01-1000V4-00121 | Insert - Threaded 10-32 Hex..... | 4 |
| 13 | 01-1000V4-00336 | Nut #10-32 W/ Lockwasher (SST)..... | 8 |
| 14 | 01-1000V4-00474 | Screw 10-32 x 1/2 Hex Washer Hd. (Zinc)..... | 4 |
| 15 | 01-1000V5-00164 | Spacer 3/8 x 5/16 Lg. (Nylon)..... | 8 |
| 16 | 01-100V16-01036 | Board - Control (USB Compatible)..... | 1 |
| 17 | 01-100V16-01165 | Label - Control (Black)..... | 1 |
| 18 | 01-100V18-00221 | Handle - Pocket (Plastic)..... | 1 |
| 19 | 01-1M7613-00001 | Door - Contol (W/Studs) (No Overlay)..... | 1 |
| 20 | 01-1M7063-00102 | Cover, Control - Display..... | 1 |
| 21 | 01-1M7612-00001 | Control Door Assy. (Incls. Items 12 thru 20)..... | 1 |
| 22 | 01-1M7617-00101 | Bracket - Magnet..... | 2 |
| 23 | 01-100V18-00220 | Magnet - Snap-In..... | 2 |



GAS BURNER AND HEAT CIRCULATION

GAS BURNER AND HEAT CIRCULATION

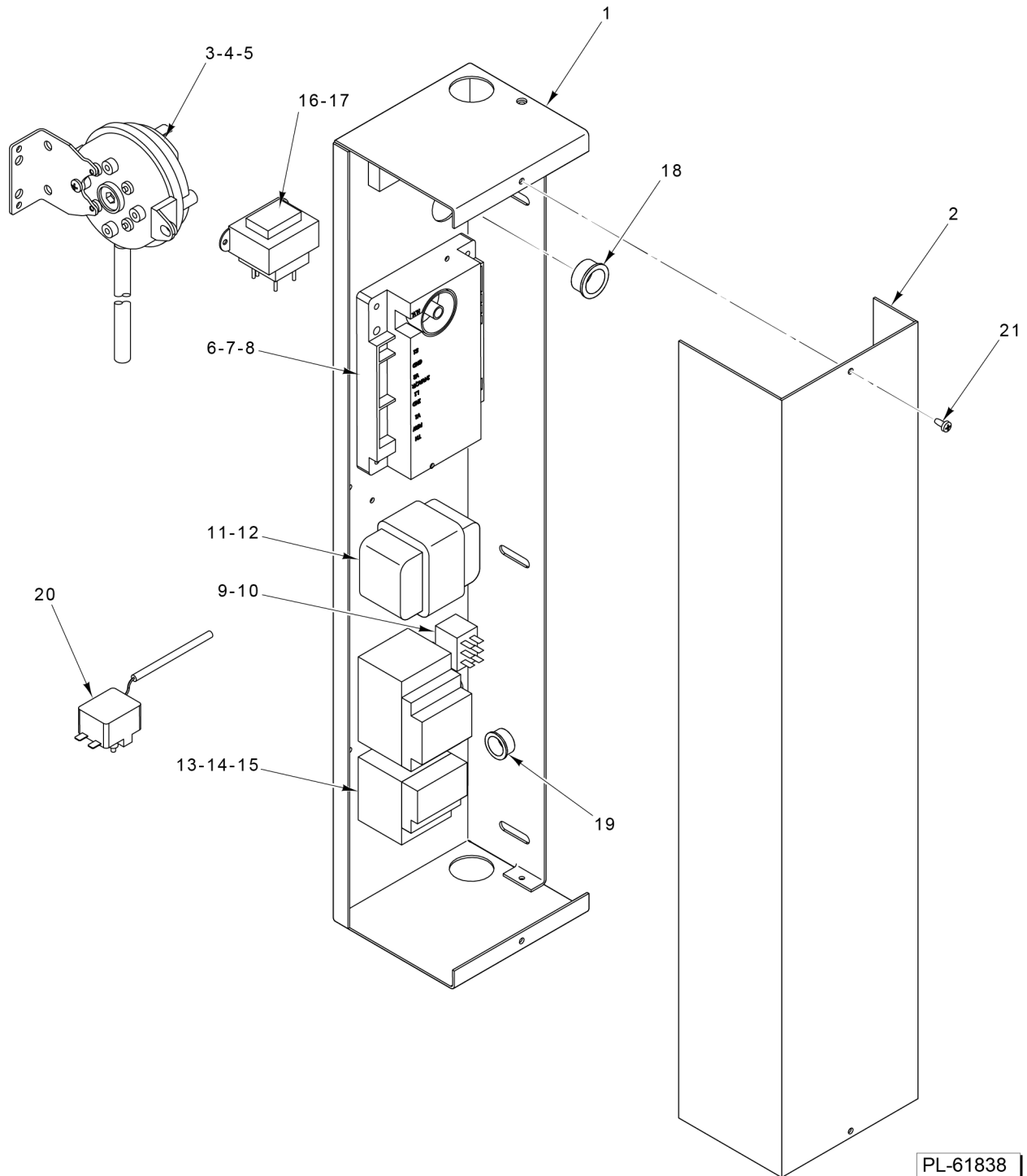
| ILLUS. | PART NO. | NAME OF PART | AMT. |
|----------|-----------------|---|------|
| PL-62246 | | | |
| 1 | 01-100V16-01174 | Heat Exchanger Assy. (6-Dimpled Tube)..... | 3 |
| 2 | 01-100V16-00530 | Gasket - Heat Exchanger..... | 6 |
| 3 | 01-1M6080-00001 | Channel - Hat Burner Rack Assy..... | 1 |
| 4 | 01-1M5467-00001 | Plate - Firing (Burner Rack)..... | 1 |
| 5 | 01-1000V9-00146 | Burner - In-Shot (Crossover)..... | 18 |
| 6 | 01-1M5465-00001 | Mount - Burner..... | 1 |
| 7 | 01-1000V9-00201 | Ignitor - Burner Spark..... | 1 |
| 8 | 01-1M5464-00001 | Plate - Side (Burner Rack)..... | 1 |
| 9 | 01-1000V9-00150 | Switch - Flame Rollout (350 F.)..... | 1 |
| 10 | 01-1M5373-00001 | Bracket - Switch Mount..... | 1 |
| 11 | 01-1M5468-00001 | Enclosure - Burner Rack..... | 1 |
| 12 | 01-1000V9-00169 | Rod - Flame Sensor..... | 1 |
| 13 | 01-1M5472-00001 | Collector - Weldment..... | 1 |
| 14 | 01-1M5463-00001 | Box - Burner Assy. (Incls. Items 4, 5, 6, & 8)..... | 1 |
| 15 | 01-1M5682-00001 | Kit - Burner Assy. (Incls. Items 4 thru 6 & 8 thru 11)..... | 1 |



GAS SUPPLY PLUMBING

GAS SUPPLY PLUMBING

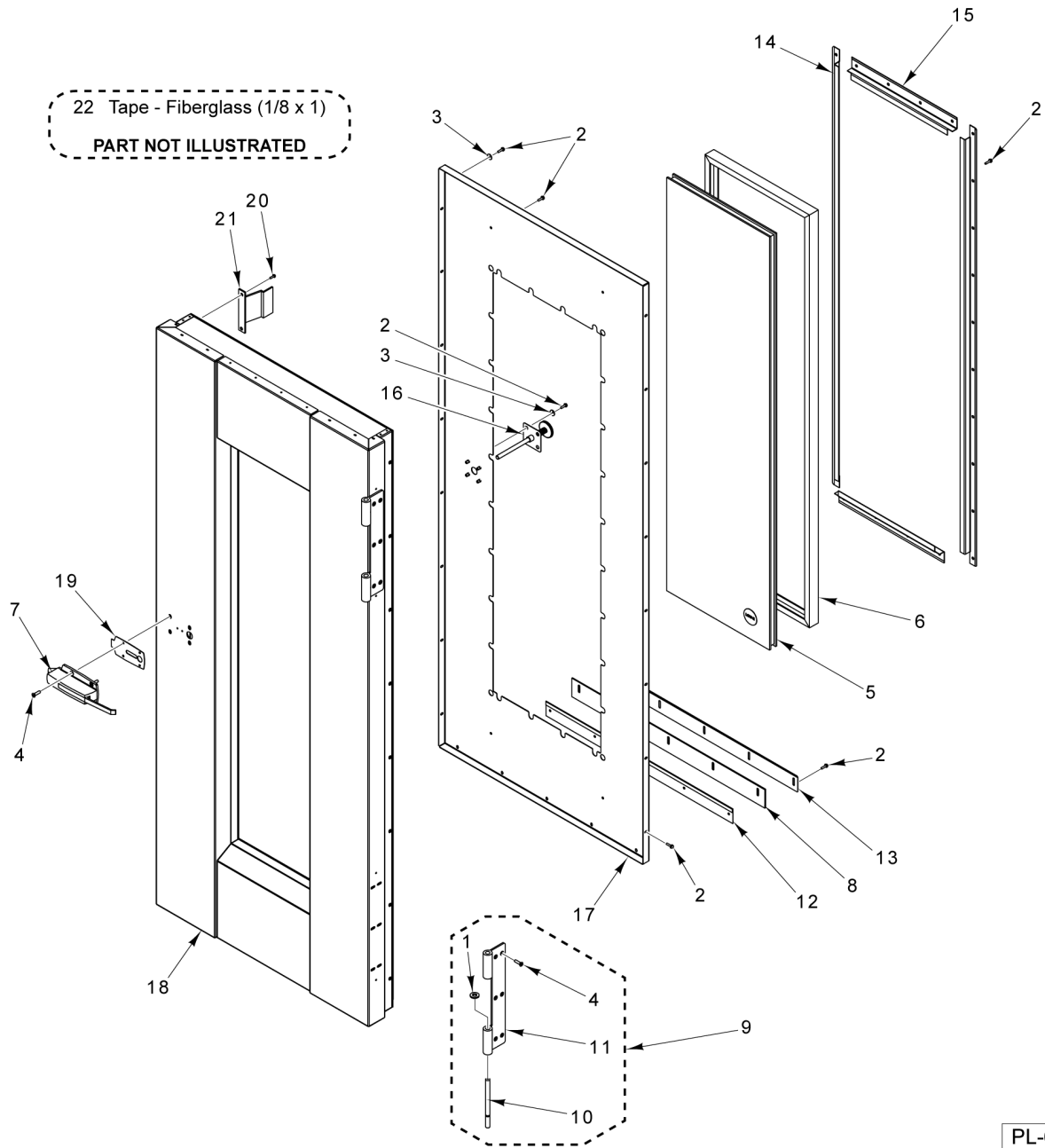
| ILLUS. PL-62247 | PART NO. | NAME OF PART | AMT. |
|--------------------|-----------------|--|------|
| 1 | 01-100V17-00473 | Bell - Reducer..... | 1 |
| 2 | 01-100V17-00576 | Pipe (3/4 In. x 23 In.)..... | 1 |
| 3 | 01-100V17-00451 | Tee 3/4 NPT x 3/4 NPT..... | 1 |
| 4 | 01-100V17-00575 | Pipe (3/4 In. x 4 In.)..... | AR |
| 5 | 01-100V17-00472 | Cap - Pipe 3/4..... | 1 |
| 6 | FP-036-92 | Pipe 3/4 x 1-3/8 TBE (Black)..... | 4 |
| 7 | 01-100V17-00169 | Valve - Shut Off, Gas 3/4 NPT..... | 1 |
| 8 | 01-100V17-00513 | Elbow - Pipe 90 Deg. x 3/4 NPT (Black)..... | 1 |
| 9 | 01-100V17-00470 | Union 3/4 NPT BLK #150..... | 1 |
| 10 | 01-1000V9-00160 | Valve - Gas (3/4 In.)..... | 1 |
| 11 | 01-1M5898-00001 | Gas Line Assy. (NAT) (Incls. Items 2 thru 10)..... | 1 |
| 12 | 01-100V16-00610 | Manifold Assy. - Gas Supply (NAT)..... | 1 |
| 13 | 01-100V16-00618 | Manifold Assy. - Gas Supply (LP)..... | 1 |
| 14 | 01-1000V9-00174 | Orifice #53 (0.059 In.) (NAT)..... | AR |
| 15 | 01-1000V9-00175 | Orifice #63 (0.037 In.) (LP)..... | AR |
| 16 | 01-1000V9-00183 | Orifice (0.052 Dia.) (Above 6,500 Ft.) (NAT)..... | AR |
| 17 | 01-1000V9-00184 | Orifice (0.033 Dia.) (Above 6,500 Ft.) (PRO)..... | AR |
| 18 | 01-100V17-00472 | Cap - Pipe 3/4..... | 1 |
| 19 | 01-1000V9-00128 | Kit - LP Conversion (Use W/Item 10)..... | 1 |
| 20 | 01-1M5506-00001 | Gas Line Manifold Assy. (NAT) (Incls. 11, 12, & 18)..... | 1 |
| 21 | 01-1M5506-00002 | Gas Line Manifold Assy. (LP) (Incls. 11, 13, & 18)..... | 1 |



COMPONENT BOX

COMPONENT BOX

| ILLUS. PL-62234 | PART NO. | NAME OF PART | AMT. |
|--------------------|-----------------|---|------|
| 1 | 01-1M5439-00001 | Box - Component Panel..... | 1 |
| 2 | 01-1M5440-00001 | Cover - Component Panel..... | 1 |
| 3 | 01-1000V6-00387 | Switch - Pressure - Hood..... | 1 |
| 4 | 01-1M7223-00002 | Tube - Pressure Switch..... | 1 |
| 5 | 01-1M7222-00002 | Pressure Switch Assy. (Incls. Items 3 & 4)..... | 1 |
| 6 | 01-1000V9-00204 | Module - Ignition..... | 1 |
| 7 | 01-100V10-00331 | Cable - Suppression (40 In.)..... | 1 |
| 8 | 01-1000V4-00542 | Screw - Phil. Hd. 8-18 x 3/4 (Zinc)..... | AR |
| 9 | 01-1000V6-00271 | Relay - D.P.D.T. (1/2 Hp., 120 VAC) (Fan)..... | 1 |
| 10 | 01-1000V4-00515 | Screw - Sheet Metal, Pan Hd. 6-32 x 3/8 (Zinc)..... | AR |
| 11 | 01-100V10-00374 | Transformer - Ignition (30 VA., 120-24 V.)..... | 1 |
| 12 | 01-1000V4-00442 | Screw Pan Hd. 8-32 x 1/2 (Zinc)..... | 2 |
| 13 | 01-1M7548-00001 | Kit - Contactor Overload Assy. (4-6 Amp.) (208-240 V.) (3 Ph.)..... | 1 |
| 14 | 01-1M7537-00001 | Contactor - Overload Assy. (9-13 Amp.) (208-240 V.) (1 Ph.)..... | 1 |
| 15 | 01-1M7549-00001 | Kit - Contactor Overload Assy. (1.6-2.5 Amp.) (380-415/440-415 V.) (3 Ph.)..... | 1 |
| 16 | 01-100V10-00278 | Transformer (5 VA) (120-24 V.)..... | 1 |
| 17 | 01-1000V4-00442 | Screw Pan Hd. 8-32 x 1/2 (Zinc)..... | 2 |
| 18 | 01-1000V5-00035 | Bushing - Snap (1 In.)..... | 1 |
| 19 | 01-1000V5-00233 | Bushing - Snap (1-1/4 In.) (Black)..... | 1 |
| 20 | 01-1M6165-00001 | Kit, High Limit (608 Deg. F/320 Deg. C) - Manual Reset..... | 1 |
| 21 | 01-1000V4-00474 | Screw 10-32 x 1/2 Hex Washer Hd. (Zinc)..... | AR |



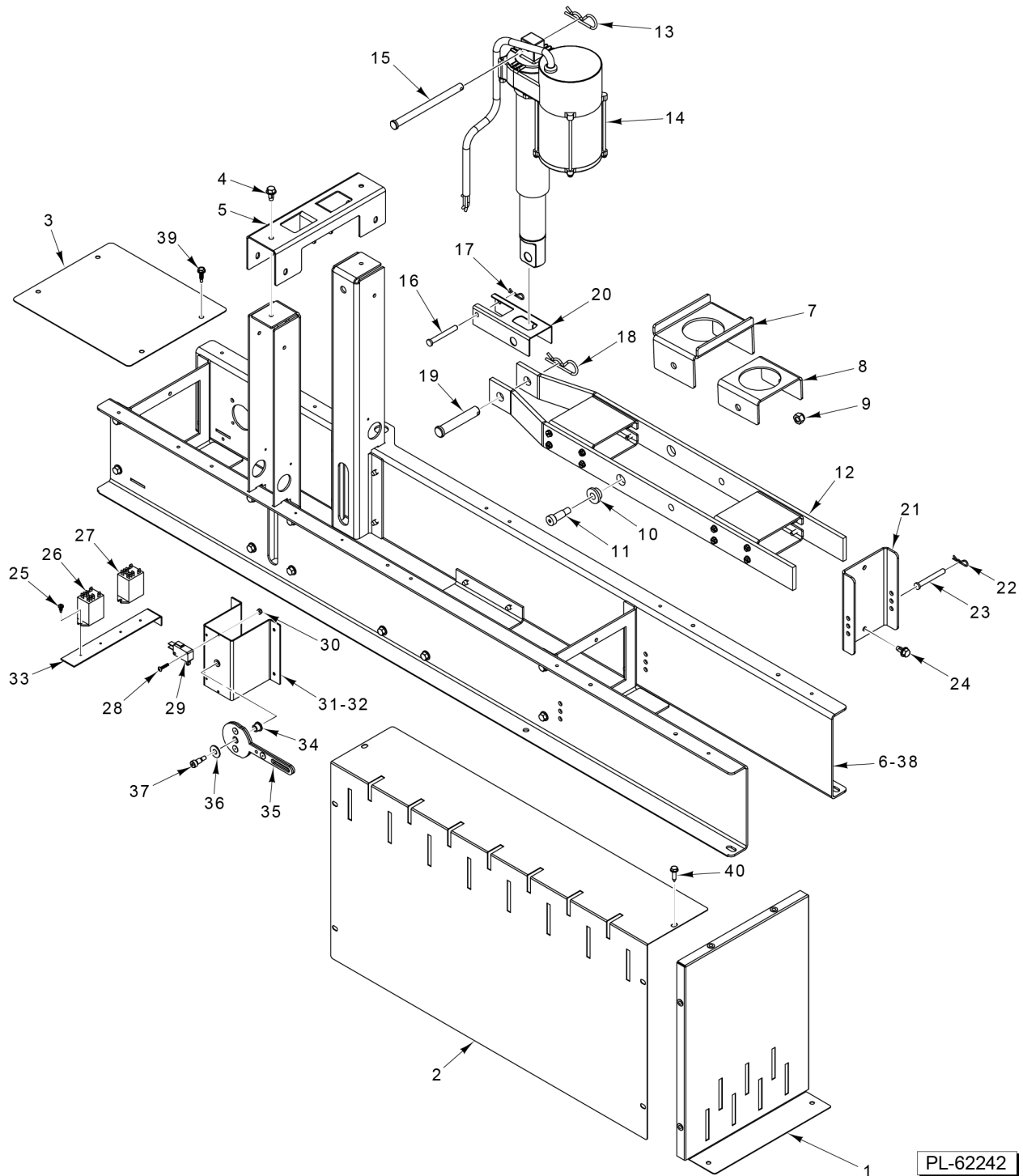
PL-62238

LOADING DOOR

LOADING DOOR

| ILLUS. | PART NO. | NAME OF PART | AMT. |
|----------|-----------------|--|------|
| PL-62238 | | | |
| 1 | 01-100V0-00080 | Bearing - Door Hinge (Brass)..... | 4 |
| 2 | 01-1000V4-00284 | Screw 10-32 x 3/4 Hex Washer Hd., Serrated Flange (SST)..... | AR |
| 3 | 01-1000V4-00434 | Washer - Flat #10 (SST)..... | AR |
| 4 | 01-1000V4-00499 | Mach. Screw 1/4-20 x 1" Phillips Flt Hd (W/Patch) (SST)..... | AR |
| 5 | 01-100V16-00765 | Glass - Double Pane..... | 1 |
| 6 | 01-100V16-00766 | Gasket - Window (One-Piece Fused Corners)..... | 1 |
| 7 | 01-100V16-01160 | Kit - Latch & Striker..... | 1 |
| 8 | 01-100V16-0779A | Gasket - Door Sweep..... | 1 |
| *9 | 01-1M5918-00004 | Hinge Kit (Incls. Items 1, 10, & 11)..... | 1 |
| 10 | 01-1M5918-00201 | Pin - Hinge Loading Door..... | 4 |
| 11 | 01-1M5918-00301 | Hinge - Door (Female)..... | 2 |
| 12 | 01-1M6101-00112 | Sweep - Inner Door..... | 1 |
| 13 | 01-1M6101-00113 | Sweep - Outer Door..... | 1 |
| 14 | 01-1M6105-00101 | Retainer - Door Glass (Ver. Ext)..... | 2 |
| 15 | 01-1M6106-00201 | Retainer - Door Glass (Horiz. Ext)..... | 2 |
| 16 | 01-1M7564-00001 | Handle - Inner Push Button..... | 1 |
| 17 | 01-1M7569-00001 | | 1 |
| 18 | 01-1M7647-00001 | Loading Door Assy..... | 1 |
| **19 | 01-1M7568-00102 | Shim - Handle..... | 3 |
| 20 | 01-1000V4-00426 | Screw #10-16 x 3/4 Hex Hd. (Drill Tip) (SST)..... | 2 |
| 21 | 01-1M7561-00107 | Bracket..... | 1 |
| 22 | 01-100V21-0065A | Tape - Fiberglass (1/8 x 1)..... | AR |

* Kit includes quantity for one hinge assembly
 ** Maximum of 3 shims may be used on door handle. If more than 3 shims is required for proper door seal, contact Bakery Tech Support.



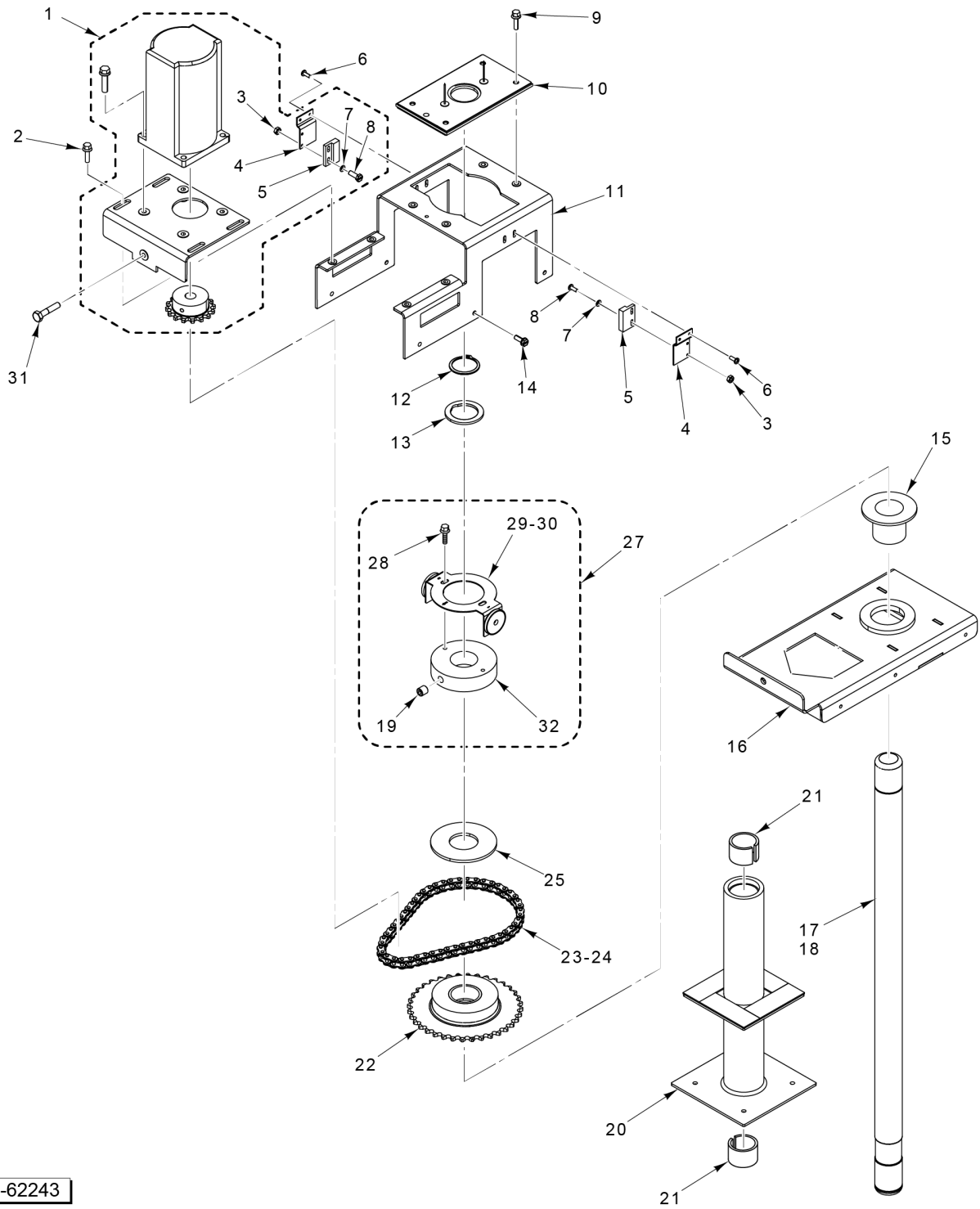
PL-62242

LIFTER

LIFTER

| ILLUS. PL-62242 | PART NO. | NAME OF PART | AMT. |
|--------------------|-----------------|--|------|
| 1 | 01-1M6608-00001 | Cover - Front/Back..... | 2 |
| 2 | 01-1M6608-00002 | Cover - Side..... | 2 |
| 3 | 01-1M6608-00003 | Cover - Front..... | 1 |
| 4 | 01-1000V4-00436 | Screw 1/4-20 x 1/2 Hex Hd..... | 6 |
| 5 | 01-1M7544-00101 | Bracket - Support..... | 1 |
| 6 | 01-1M7544-00001 | Body - Rack Lift Assy. (Incls. Items 4 & 5)..... | 1 |
| 7 | 01-1M6601-00103 | Support - Rotator..... | 1 |
| 8 | 01-1M6601-00104 | Support - Rotator..... | 1 |
| 9 | 01-1000V4-00380 | Nut 5/16-18 NYLOCK..... | 2 |
| 10 | 01-1000V0-00121 | Bearing..... | 2 |
| 11 | 01-1000V4-00379 | Bolt - Shoulder..... | 2 |
| 12 | 01-1M6601-00001 | Lifting Arm Assy. (Incls. Items 7 thru 11)..... | 1 |
| 13 | 01-1000V1-0086A | Pin - Cotter..... | 1 |
| 14 | 01-1M7551-00103 | Actuator..... | 1 |
| 15 | 01-1000V1-00108 | Pin 3/8 x 5 In..... | 1 |
| 16 | 01-1000V1-00087 | Pin - Clevis (1/4 x 2 In.)..... | 1 |
| 17 | 01-1000V1-0087A | Pin..... | 1 |
| 18 | 01-1000V1-0086A | Pin - Cotter..... | 1 |
| 19 | 01-1000V1-00109 | Pin - Clevis (1/2 x 2-3/4 In.)..... | 1 |
| 20 | 01-1M7551-00101 | Bracket - Lift Actuator..... | 1 |
| 21 | 01-1M6600-00203 | Bracket - Support..... | 1 |
| 22 | 01-1000V1-0087A | Pin..... | 2 |
| 23 | 01-1000V1-00087 | Pin - Clevis (1/4 x 2 In.)..... | 2 |
| 24 | 01-1000V4-00436 | Screw 1/4-20 x 1/2 Hex Hd..... | 2 |
| 25 | 01-1000V4-00510 | Screw Mach. - Pan Head (6-20 x 0.375)..... | 4 |
| 26 | 01-1000V6-00271 | Relay - D.P.D.T. (1/2 Hp., 120 VAC)..... | 1 |
| 27 | 01-1000V6-00297 | Relay - DPDT 1/2 HP. (24V Coil)..... | 1 |
| 28 | 01-1000V4-00461 | Screw 4-40 x 5/8 (SST)..... | 4 |
| 29 | 01-1000V6-00343 | Switch - Lever SPST..... | 2 |
| 30 | 01-1000V4-00355 | Nut..... | 4 |
| 31 | 01-1M6603-00001 | Bracket Assy. - Switch..... | 1 |
| 32 | 01-1M6630-00002 | Harness - Rack Lift..... | 1 |
| 33 | 01-1M6600-00104 | Bracket - Relay..... | 1 |
| 34 | 01-1000V0-00139 | Bearing - Flanged Sleeve..... | 1 |
| 35 | 01-1M7551-00102 | Cam - Lift Switch (B & C Lift)..... | 1 |
| 36 | 01-1000V4-00433 | Washer 1/4 In. (SST)..... | 1 |
| 37 | 01-1000V4-00572 | Shoulder Screw, #10-32 X 3/8 Thread Length, .25 DIA X 3/8 Shoulder Length..... | 1 |
| 38 | 01-1M7551-00001 | Rack Lift Assy. (B & C Lift) (Incls. Items 6, 12 thru 25, & 32 thru 37)..... | 1 |
| 39 | 01-1000V4-00426 | Screw #10-16 x 3/4 Hex Hd. (Drill Tip) (SST)..... | AR |
| 40 | 01-1000V4-00400 | Cap Screw 10-32 x 3/4 Hex Hd. (SST)..... | AR |

33 01-1000V8-0177C Capacitor, Motor Run
PART NOT ILLUSTRATED



PL-62243

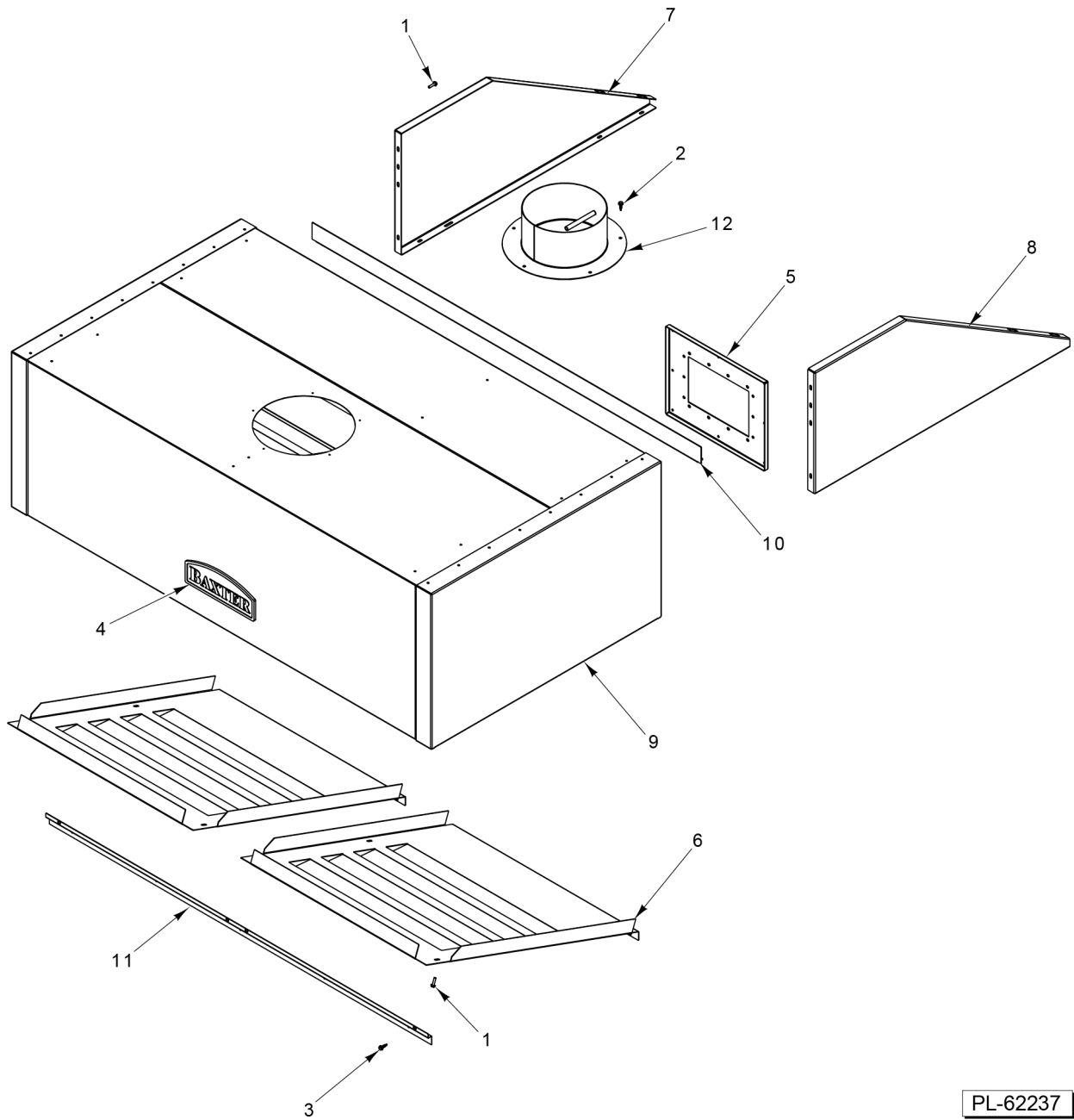
ROTATOR

ROTATOR

| ILLUS. PL-62243 | PART NO. | NAME OF PART | AMT. |
|--------------------|-----------------|---|------|
| 1 | 01-1M7318-00001 | Rotation Motor Assy. (Incls. Items 3 thru 5, 7, 8, & 33)..... | 1 |
| 2 | 01-1000V4-00284 | Screw 10-32 x 3/4 Hex Washer Hd., Serrated Flange (SST)..... | 4 |
| 3 | 01-1000V4-00586 | Nut..... | 4 |
| 4 | 01-1M6604-00106 | Bracket - Rotate Switch..... | 2 |
| 5 | 01-1M5777-00101 | Switch (Magnetic)..... | 2 |
| 6 | 01-1000V4-00515 | Screw - Sheet Metal, Pan Hd. 6-32 x 3/8 (Zinc)..... | 4 |
| 7 | 01-1000V4-00585 | Flat Washer..... | 4 |
| 8 | 01-1000V4-00584 | Screw..... | 4 |
| 9 | 01-1000V4-00284 | Screw 10-32 x 3/4 Hex Washer Hd., Serrated Flange (SST)..... | 4 |
| 10 | 01-1M6606-00002 | Shaft Alignment Assy..... | 1 |
| 11 | 01-1M6604-00201 | Bracket - Mounting..... | 1 |
| 12 | 01-1000V1-00085 | Snap Ring..... | 1 |
| 13 | 01-1M6704-00001 | Shim - Carrier (Height Adjustment)..... | 10 |
| 14 | 01-1000V4-00385 | Screw - Sheet Metal, Hex Hd. 10-16 x 3/4 (SST)..... | 6 |
| 15 | 01-1000V0-00114 | Bearing - Flange..... | 1 |
| 16 | 01-1M6605-00001 | Rotator - Lifter..... | 1 |
| 17 | 01-1M6773-00101 | Shaft - Rotator (A Style) (With Hole for Pin)..... | 1 |
| 18 | 01-1M6604-00105 | Shaft - Rotator (B Style)..... | 1 |
| 19 | 01-1000V4-00161 | Screw, Set - Allen (3/8-16)..... | 1 |
| 20 | 01-1M6662-00001 | Housing - Shaft (Incls. Item 21)..... | 1 |
| 21 | 01-1M7464-00001 | Kit - Bearing (Shaft Housing)..... | 1 |
| 22 | 01-1M6610-00001 | Sprocket - Rotator..... | 1 |
| 23 | 01-1000V3-0087A | Chain - Roller 20-1/8 In..... | 1 |
| 24 | 01-1000V3-00088 | Link - Connecting..... | AR |
| 25 | 01-1M6604-00104 | Clutch - Slide..... | 1 |
| 27 | 01-1M6629-00004 | Magnet Switch Assy. (Two Magnets) (B Style) (C Style Single Rack) (Incls. Items 19, 28 thru 30, & 32)..... | 1 |
| 28 | 01-1000V4-00284 | Screw 10-32 x 3/4 Hex Washer Hd., Serrated Flange (SST)..... | 2 |
| 29 | 01-1M6880-00003 | Pointer Assy. (One Magnet) (A Style Double Rack) (C Style Single Rack)..... | 1 |
| 30 | 01-1M6880-00004 | Pointer Assy. (Two Magnets) (B Style) (C Style Double Rack)..... | 1 |
| 31 | 01-1000V4-00564 | Screw, Sheet Metal Hex Hd. W/ Washer 1/4-20 x 1 (SST)..... | 1 |
| 32 | 01-1M6604-00103 | Collar, Set - Rotator..... | 1 |
| 33 | 01-1000V8-0177C | Capacitor, Motor Run - (4uF/250VAC)..... | 1 |

CARRIER

| ILLUS. | PART NO. | NAME OF PART | AMT. |
|----------|-----------------|---|------|
| PL-62244 | | | |
| 1 | 01-1M7630-00001 | Carrier (B Style) (Single Rack) (Incls. Items 2 thru 4)..... | 1 |
| 2 | 01-1000V1-00013 | Collar - Set 1/2 In. Dia..... | 4 |
| 3 | 01-1M2580-00002 | Stop - Rack Carrier (B Style Carrier)..... | 2 |
| 4 | 01-1000V4-00654 | Screw - Set 3/8-24 x 3/8 (Knurled Tip)..... | 2 |
| 5 | 01-1M6770-00005 | Carrier (C Style) (Single Rack) (Incls. Items 4, & 6 thru 8)..... | 1 |
| 6 | 01-1M4862-00201 | Stop - Rack Carrier (C Style Carrier)..... | 2 |
| 7 | 01-1000V4-00284 | Screw 10-32 x 3/4 Hex Washer Hd., Serrated Flange (SST)..... | 2 |
| 8 | 01-1000V4-00121 | Insert - Threaded 10-32 Hex..... | 6 |



PL-62237

HOOD - TYPE II

HOOD - TYPE II

| ILLUS. | PART NO. | NAME OF PART | AMT. |
|----------|-----------------|--|------|
| PL-62237 | | | |
| 1 | 01-1000V4-00284 | Screw 10-32 x 3/4 Hex Washer Hd., Serrated Flange (SST)..... | AR |
| 2 | 01-1000V4-00385 | Screw - Sheet Metal, Hex Hd. 10-16 x 3/4 (SST)..... | AR |
| 3 | 01-1000V4-00386 | Screw Hex Hd. 10-32 x 1/2 In. (SST)..... | AR |
| 4 | 01-100V16-0772D | Nameplate - Baxter (9 In.)..... | 1 |
| 5 | 01-1M7587-00001 | Seal Plate - Over Pressure Assy..... | 1 |
| 6 | 01-1M7588-00001 | Main Baffle - Hood..... | 2 |
| 7 | 01-1M7593-00001 | Trim - Hood (LH)..... | 1 |
| 8 | 01-1M7594-00001 | Trim - Hood (RH)..... | 1 |
| 9 | 01-1M7597-00001 | Hood - Type II (Crated) (30 In.)..... | 1 |
| 10 | 01-1M7595-00206 | Bracket - Hood Mount..... | 1 |
| 11 | 01-1M7595-00207 | Bracket - Split Baffle..... | 1 |
| 12 | 01-1M7618-00001 | Collar - Duct..... | 1 |

