



# CATALOG OF REPLACEMENT PARTS



## OV310G MINI RACK OVEN

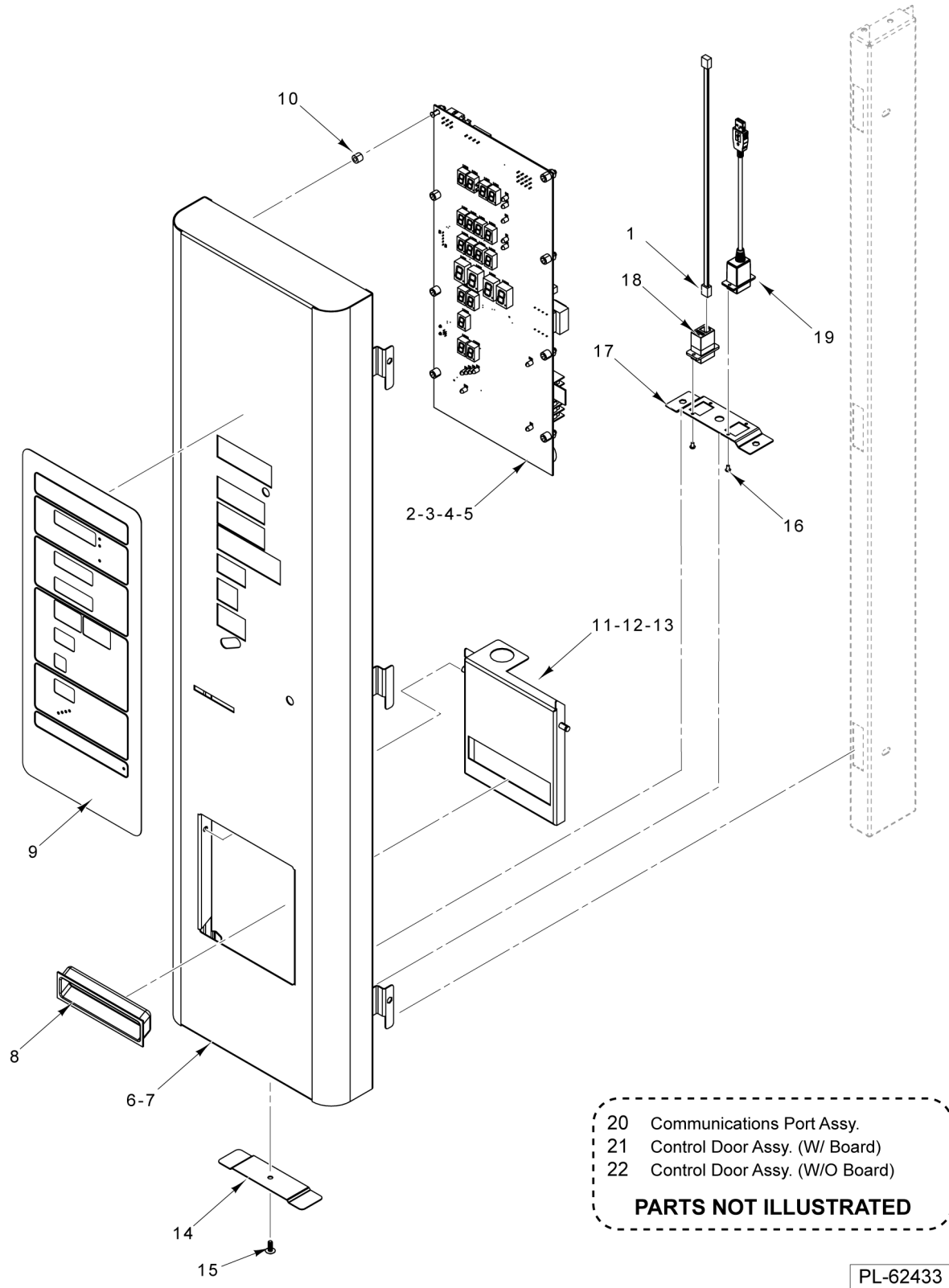
ML-132597

OV310G



**Table of Contents**

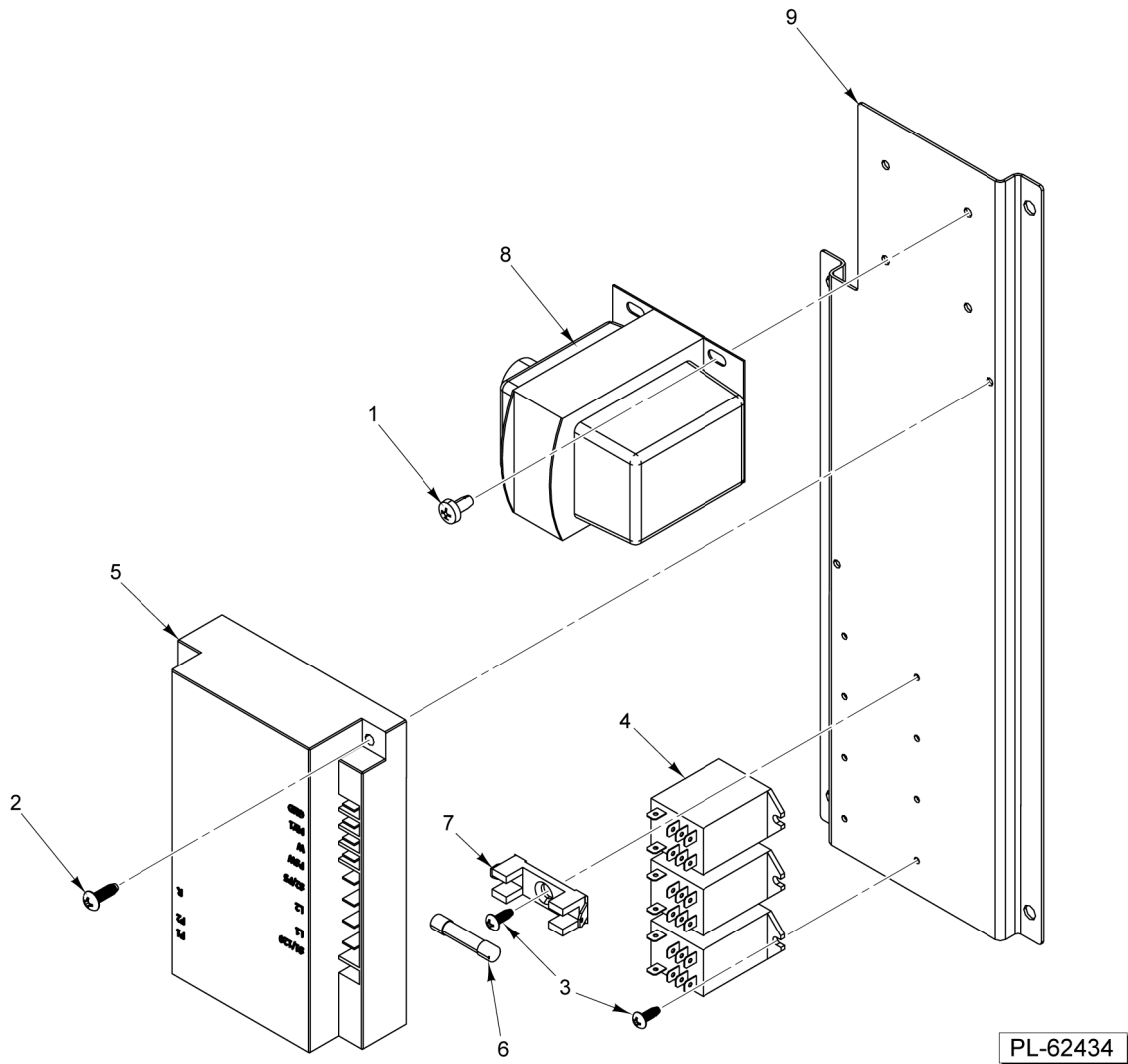
5	ADVANCED CONTROL PANEL ASSEMBLY
7	ELECTRICAL COMPONENTS (USED WITH ADVANCED CONTROLS)
9	ELECTRICAL COMPONENTS (USED WITH VISUAL INTERFACE)
11	CABINET UNIT
13	INTERIOR PANELS
15	DOOR ASSEMBLY
17	ROTATOR AND RACK ASSEMBLY
19	DRAFT INDUCER ASSEMBLY
21	WATER/STEAM SUPPLY
23	GAS SUPPLY
25	BURNER RACK ASSEMBLY
27	HEAT EXCHANGER AND AIR CIRCULATION SYSTEM



**ADVANCED CONTROL PANEL ASSEMBLY**

### ADVANCED CONTROL PANEL ASSEMBLY

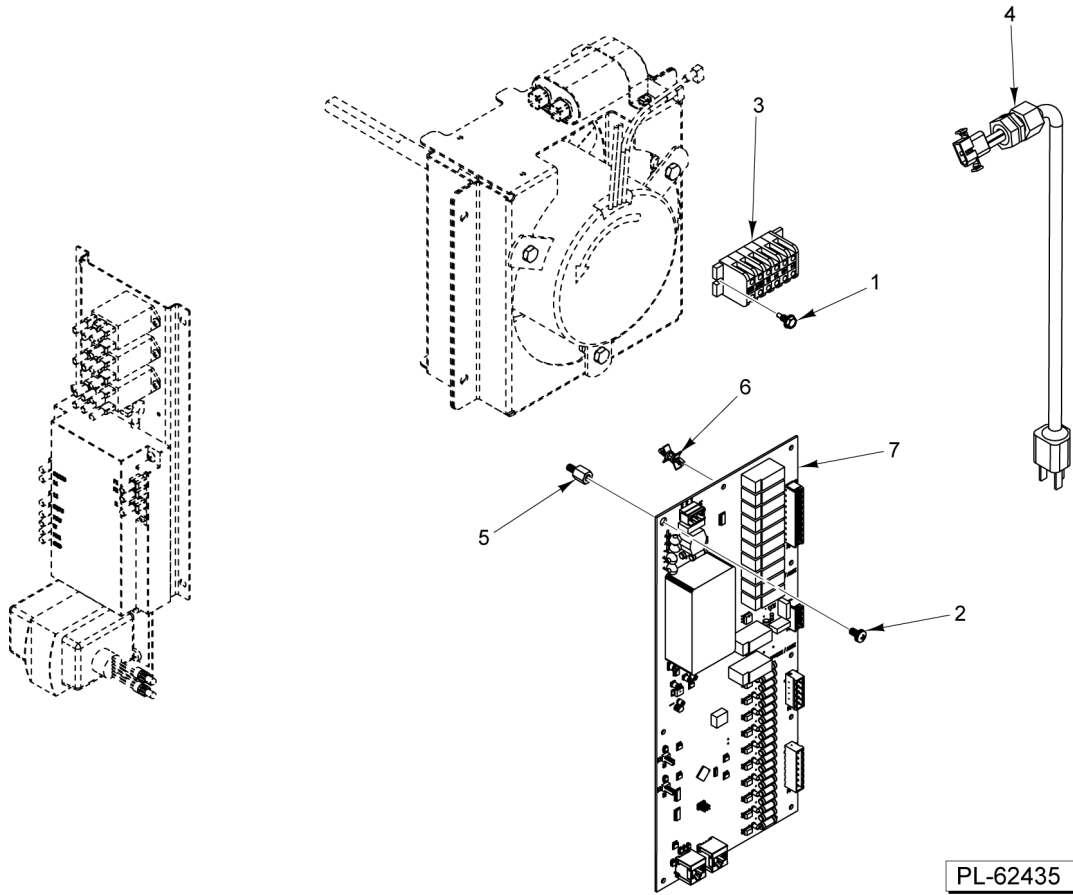
ILLUS. PL-62433	PART NO.	NAME OF PART	AMT.
1	01-100V10-00351	Cable - RJ12 Telephone (3 ft).....	1
2	01-1000V4-00336	Nut #10-32 W/ Lockwasher (SST).....	8
3	01-100V16-01036	Board - Control (USB Compatible).....	1
4	01-100V23-00F10	Fuse (1 Amp., 250 V.) (On Back of Item 3).....	1
5	01-100V10-00223	Alarm - Piezo Pre-wired.....	1
6	01-100V16-00246	Label - Burner Operation.....	1
7	01-1M6424-00011	Door (W/ Weld Studs) (Incls. Item 9).....	1
8	01-100V18-00110	Pull - Handle Pocket (Black, Plastic).....	1
9	01-100V16-00866	Label - Advanced Controls.....	1
10	01-1000V5-00164	Spacer 3/8 x 5/16 Lg. (Nylon).....	8
11	01-1M6450-00001	Door - Access.....	1
12	01-1000V0-00092	Pin 1/4 Dia. x 1/2 Lg. (With Retaining Ring).....	2
13	01-100V18-00121	Magnet (0.75 x 0.38 x 1.87).....	1
14	01-1M7265-00102	Cover - USB Port.....	1
15	01-1000V4-00412	Mach. Screw 10-32 x 1/2 Phil. Truss Hd. (SST).....	2
16	01-100V12-00037	Rivet - Push/Lock (Black Plastic).....	4
17	01-1M7265-00001	Bracket Assy. - USB Port.....	1
18	01-100V10-00344	Jack - RJ12 Panel Mount Coupler.....	1
19	01-100V10-00350	Coupler - USB Type A Latching (3 ft).....	1
20	01-1M7265-00002	Communications Port Assy.....	1
21	01-1M6483-00012	Control Door Assy. (With Board).....	1
22	01-1M6483-00014	Control Door Assy. (W/O Board).....	1



**ELECTRICAL COMPONENTS  
(USED WITH ADVANCED CONTROLS)**

**ELECTRICAL COMPONENTS  
(USED WITH ADVANCED CONTROLS)**

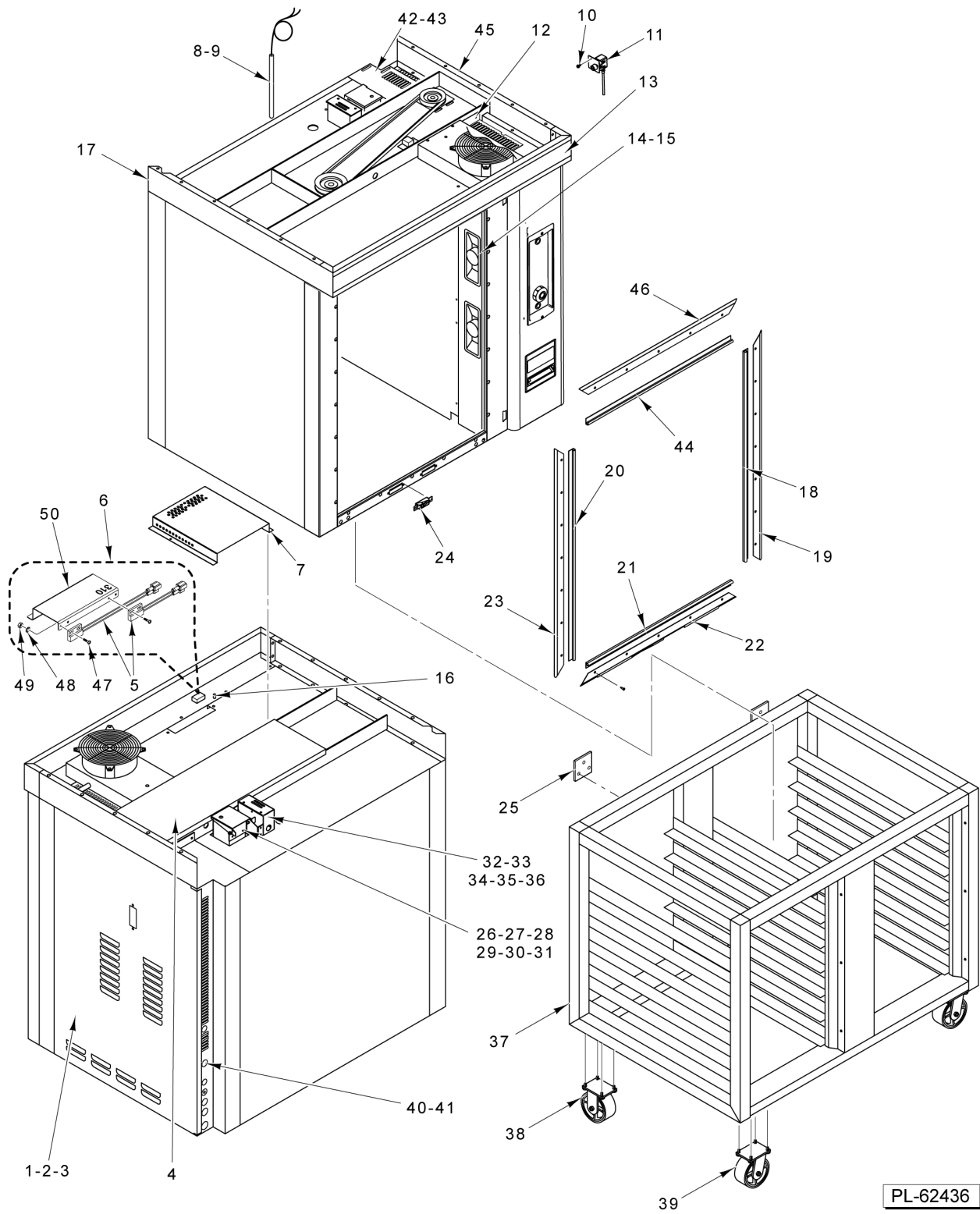
ILLUS. PL-62434	PART NO.	NAME OF PART	AMT.
1	01-1000V4-00316	Self-Tapping Screw 10-32 x 3/8 Phil. Pan Hd.....	4
2	01-1000V4-00442	Screw Pan Hd. 8-32 x 1/2 (Zinc).....	2
3	01-1000V4-00515	Screw - Sheet Metal, Pan Hd. 6-32 x 3/8 (Zinc).....	7
4	01-1000V6-00271	Relay - D.P.D.T. (1/2 Hp., 120 VAC).....	3
5	01-1000V9-00152	Control - Electronic Ignition.....	1
6	01-100V10-00219	Fuse - Panel Mount (0.5 Amp.).....	1
7	01-100V10-00232	Fuse Holder (30 Amp.).....	1
8	01-100V10-00237	Transformer (120-24 V.) (With Reset).....	1
9	01-1M5387-00002	Plate - Relay Mounting.....	1



**ELECTRICAL COMPONENTS  
(USED WITH VISUAL INTERFACE)**

**ELECTRICAL COMPONENTS  
(USED WITH VISUAL INTERFACE)**

ILLUS.	PART NO.	NAME OF PART	AMT.
PL-62435			
1	01-1000V4-00401	Screw 10-16 x 1/2 Hex Washer Hd.....	AR
2	01-1000V4-00662	Mach. Screw 10-32 x 3/8 Phil Hd.....	1
3	01-1M5548-00005	Terminal Block Assy.....	1
4	01-1M5575-00001	Cord - Power (120 V.).....	1
5	01-1000V4-00659	Standoff.....	1
6	01-1000V5-00405	Post - Mounting (PCB Support) (0.156 Holes x 0.375 Standoff).....	9
7	01-100V16-01085	Board - I/O.....	1



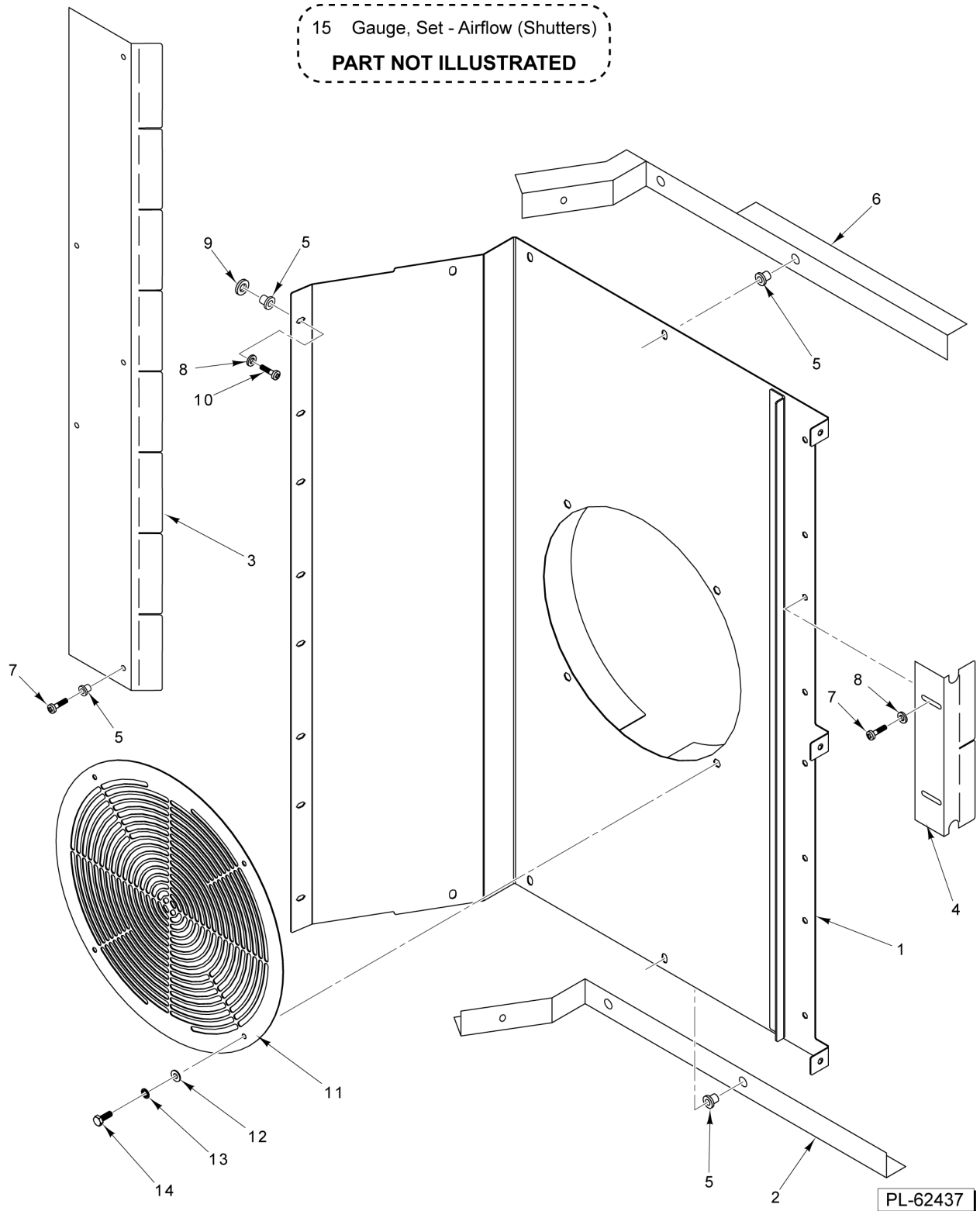
PL-62436

**CABINET UNIT**

## CABINET UNIT

ILLUS. PL-62436	PART NO.	NAME OF PART	AMT.
1	01-1M4198-0002G	Skin Assy., Outer Right Hand Side (Gas Oven).....	1
2	01-100V11-00207	Cover - Access (Breaker).....	1
3	01-1000V4-00412	Screw 10-32 Phil. Truss Hd.....	2
4	01-1M4221-00003	Cover - Rotator.....	1
5	01-1M5816-00101	Switch Assy. - Door Magnet (Switch with Wires & Terminals).....	2
6	01-1M7664-00001	Door Switch Assy. (Incls. Items 5, 47 thru 50) (Starting 05/01/24).....	1
7	01-1M5832-00001	Cover - Wiring.....	1
8	01-100V10-00349	Thermocouple.....	1
9	01-100V17-00279	Fitting 1/4 x 3/16.....	1
10	01-1000V4-00401	Screw 10-16 x 1/2 Hex Washer Hd.....	2
11	01-1M5860-00002	Thermostat Assy. (High Limit).....	1
12	01-1M7585-00105	Cover - Water Supply.....	1
13	01-1M6489-00001	Trim - Upper Front Assy.....	1
14	01-1000V7-00053	Lamp - Oven (Complete) (Lens, Base, & Bulb).....	2
15	01-1000V7-00054	Bulb - Halogen G9 Base.....	2
16	01-1000V4-00121	Insert - Threaded 10-32 Hex.....	4
17	01-1M4459-00003	Panel - Trim Top (LH).....	1
18	01-1M6492-00001	Gasket - Door Opening Side.....	1
19	01-1M6426-00001	Retainer - Right Side Gasket.....	1
20	01-1M6492-00001	Gasket - Door Opening Side.....	1
21	01-1M6493-00002	Gasket - Door Opening Bottom.....	2
22	01-1M6464-00001	Retainer - Bottom Gasket.....	1
23	01-1M6427-00001	Retainer - Left Side Gasket.....	1
24	01-1M6449-00004	Striker - Loading Door.....	4
25	01-1M3475-00001	Retainer.....	2
26	01-1M6100-00003	Cap - Vent.....	1
27	01-1M3375-00004	Hinge - Body.....	1
28	01-1000V4-00304	Pins - Hinge (Shoulder Bolt).....	2
29	01-1M6611-00001	Vent Stack Gasket Retainer Assy. (Incls. Item 30).....	1
30	01-1M6611-00101	Bracket W/ Gasket.....	1
31	01-1M6100-00004	Vent Cover Assy. (Incls. Items 26 thru 28).....	1
32	01-1M6055-00002	Vent Assy. - Motor (Incls. Items 33 thru 36).....	1
33	01-1M6779-00001	Motor - Stepper.....	1
34	01-1M6104-00103	Cover - Stepper Motor.....	1
35	01-1M6104-00104	Harness - Stepper Motor.....	1
36	01-1M6340-00001	Arm Actuator.....	1
*37	01-1M4533-00012	Stand Assy. (12-Pan Capacity) (Incls. Items 38 & 39).....	1
38	01-100V14-00047	Caster - Rigid Plate.....	2
39	01-100V14-00046	Caster - Swivel Plate (With Brake).....	2
40	01-1M5575-00001	Cord - Power (120 V.).....	1
41	01-100V17-00572	Grip - Cord (Aluminum) (Strain Relief 120 V. Supply Cord).....	1
42	01-1M7585-00103	Cover - Outer (Rear Steamer).....	1
43	01-1M7585-00104	Cover - Outer (Rear Steamer).....	1
44	01-1M6491-00001	Gasket - Door Opening Top.....	1
45	01-1M4459-00004	Panel - Trim Top (RH).....	1
46	01-1M6428-00001	Retainer - Top Gasket.....	1
47	01-1000V4-00313	Screw 4-40 x 3/8 (SST).....	4
48	01-1000V4-00464	Lockwasher #4 (SST).....	4
49	01-1000V4-00462	Nut 4-40 Hex (SST).....	4
50	01-1M7664-00101	Bracket - Switch.....	1

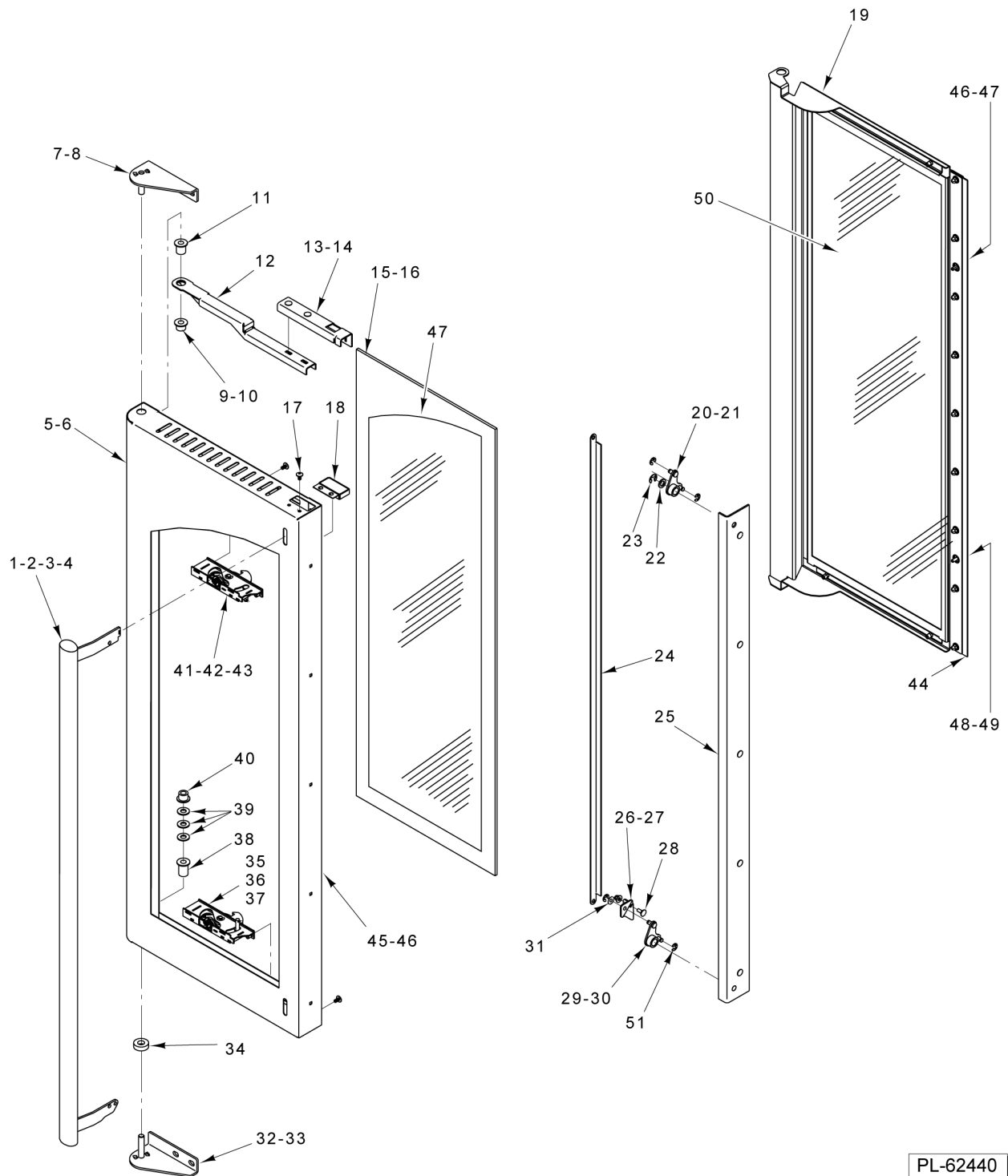
\* Optional Part



**INTERIOR PANELS**

### INTERIOR PANELS

ILLUS. PL-62437	PART NO.	NAME OF PART	AMT.
1	01-1M7577-00001	Pressure Panel Assy. (W/ Screen) (Incls. Items 4, 7, 8, & 11 thru 14).....	1
2	01-1M4212-00002	Bracket - Lower Mounting (Incls. Item 5).....	1
3	01-1M5379-00001	Shutter - Airflow.....	1
4	01-1M5379-00002	Shutter - Airflow (Front RH).....	4
5	01-1000V4-00121	Insert - Threaded 10-32 Hex.....	AR
6	01-1M4211-00002	Bracket - Upper Mounting (Incls. Item 5).....	1
7	01-1000V4-00386	Screw Hex Hd. 10-32 x 1/2 In. (SST).....	AR
8	01-1000V4-00434	Washer - Flat #10 (SST).....	AR
9	01-1000V4-00220	Nut - Coupler 8-32 x 5/8.....	AR
10	01-1000V4-00553	Mach. Screw 10-32 x 1 In. (SST).....	AR
11	01-1M7577-00202	Grill - Pressure.....	1
12	01-1000V4-00518	Washer.....	4
13	01-1000V4-00470	Lockwasher 1/4 In. (SST).....	4
14	01-1000V4-00534	Bolt 1/4-20 x 3/4 In.....	4
15	01-1M5403-00001	Gauge Set - Airflow (Shutters).....	1

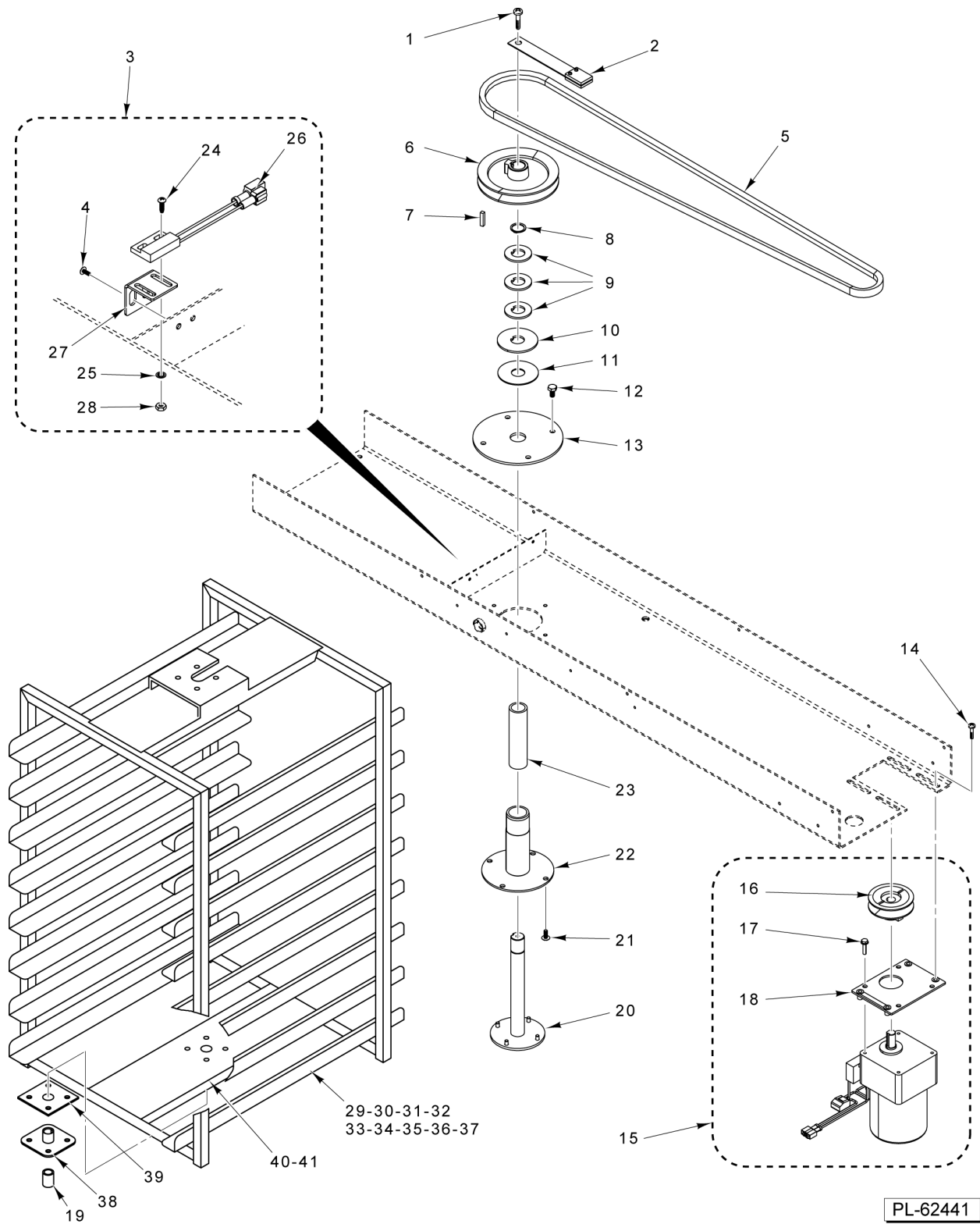


**DOOR ASSEMBLY**

## DOOR ASSEMBLY

ILLUS. PL-62440	PART NO.	NAME OF PART	AMT.
1	01-1M6468-00001	Handle Assy. - Left.....	1
2	01-1M6470-00001	Handle Assy. - Right.....	1
*3	01-1M6103-0203B	Cap - End (Door Handle) (Oval) (Use with Items 1 & 2).....	2
*4	01-100V15-00086	Cap, Handle - Door (Round) (Use with Items 1 & 2).....	2
5	01-1M6419-00001	Door - Skin Left.....	1
6	01-1M6418-00001	Door - Skin Right.....	1
7	01-1M6189-00005	Mount - Door Bearing Weldment (Top Left).....	1
8	01-1M6189-00006	Mount - Door Bearing Weldment (Top Right).....	1
9	01-1000V0-00108	Bearing 5/8 ID x 1 OD x 1/16 Lg. (Bronze).....	1
10	01-1000V0-00107	Bearing 3/8 ID x 5/8 OD x 1/2 Lg. (Bronze).....	2
11	01-1000V0-00110	Bearing 3/8 ID x 5/8 OD x 3/4 Lg. (Bronze).....	1
12	01-1M6462-00001	Torque Arm - Hinge Side.....	1
13	01-1M6485-00001	Torque Arm - Left.....	1
14	01-1M6486-00001	Torque Arm - Right.....	1
15	01-1M7242-00001	Kit, Left Door Glass and VHB Tape (Includes Item 47).....	1
16	01-1M7243-00001	Kit, Right Door Glass and VHB Tape (Includes Item 47).....	1
17	01-1000V4-00350	Mach. Screw 10-32 x 3/8 Phil. Hd. (SST).....	7
18	01-1M6436-00001	Magnet Assy.....	1
19	01-1M6472-00001	Door - Inner (Left & Right) (Incls. Items 44 & 48 thru 50).....	1
20	01-1M6473-00001	Mount - Left Door Handle Rotator.....	1
21	01-1M6474-00001	Mount - Right Door Handle Rotator.....	1
22	01-1000V4-00341	Washer.....	2
23	01-1000V0-00091	Clip - E Style.....	2
24	01-1M6432-00001	Rod - Connecting.....	1
25	01-1M6471-00001	Cradle Mechanism - Handle.....	1
26	01-1M6441-00001	Actuator - Left Latch.....	1
27	01-1M6442-00001	Actuator - Right Latch.....	1
28	01-1000V4-00339	Bolt - Carriage 10-32 x 1/2.....	6
29	01-1M6473-00001	Mount - Left Door Handle Rotator.....	1
30	01-1M6474-00001	Mount - Right Door Handle Rotator.....	1
31	01-1000V4-00325	Washer.....	13
32	01-1M6189-00005	Mount - Door Bearing Weldment (Bottom Right).....	1
33	01-1M6189-00006	Mount - Door Bearing Weldment (Bottom Left).....	1
34	01-1M6434-00001	Kit - Wave Washer (1 Set).....	2
35	01-1M6415-00001	Latch Assy. (RH Door Bottom, LH Door Top).....	1
36	01-1M6480-00001	Latch Assy. (RH Door Top, LH Door Bottom).....	1
37	01-1M6463-00001	Tab - Door Latch Retaining.....	1
38	01-1000V0-00100	Bearing 3/8 ID x 5/8 OD x 1 Lg. (Bronze).....	1
39	01-1000V4-00364	Washer 0.375 x 0.812 x 1/6.....	3
40	01-1000V0-00107	Bearing 3/8 ID x 5/8 OD x 1/2 Lg. (Bronze).....	2
41	01-1M6415-00001	Latch Assy. (RH Door Bottom, LH Door Top).....	1
42	01-1M6480-00001	Latch Assy. (RH Door Top, LH Door Bottom).....	1
43	01-100V20-00028	Spring - Extension (For Items 35, 36, 41, & 42).....	1
44	01-100V16-00881	Gasket (Vertical Strip).....	1
45	01-1M6421-00001	Door Assy. - Left (Complete).....	1
46	01-1M6420-00001	Door Assy. - Right (Complete).....	1
47	01-1M7188-00001	Kit, VHB Tape.....	AR
48	01-1000V4-00359	Thumb Screw 10-32 x 1/2 (SST).....	AR
49	01-1000V4-00311	Washer, Retainer - Push On (#10 Screw, 0.50 O.D. x 0.012 Thick, SST).....	AR
50	01-100V16-00869	Glass, Inner - Door.....	1
51	01-1000V0-00112	Snap Ring (1/4) (SST).....	AR

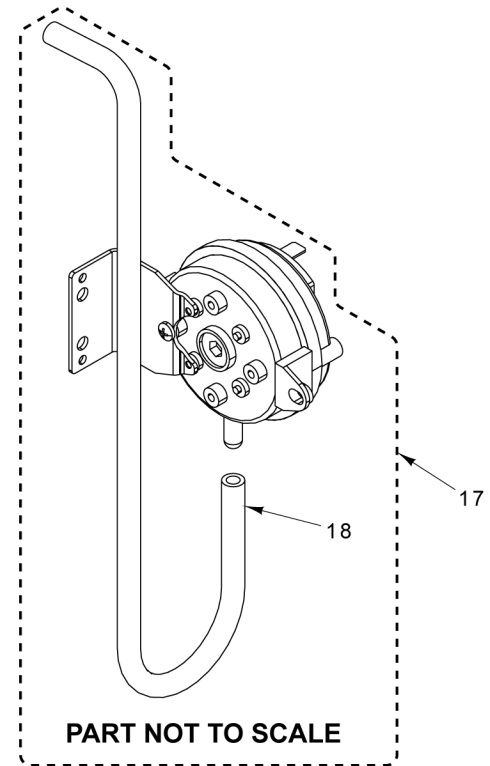
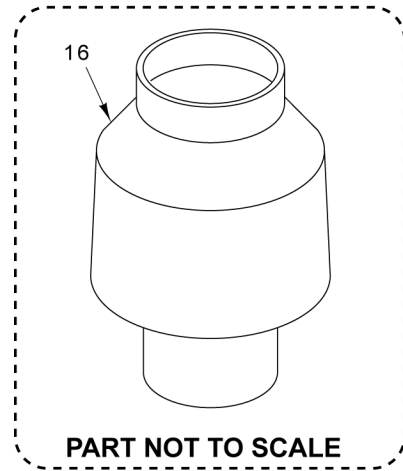
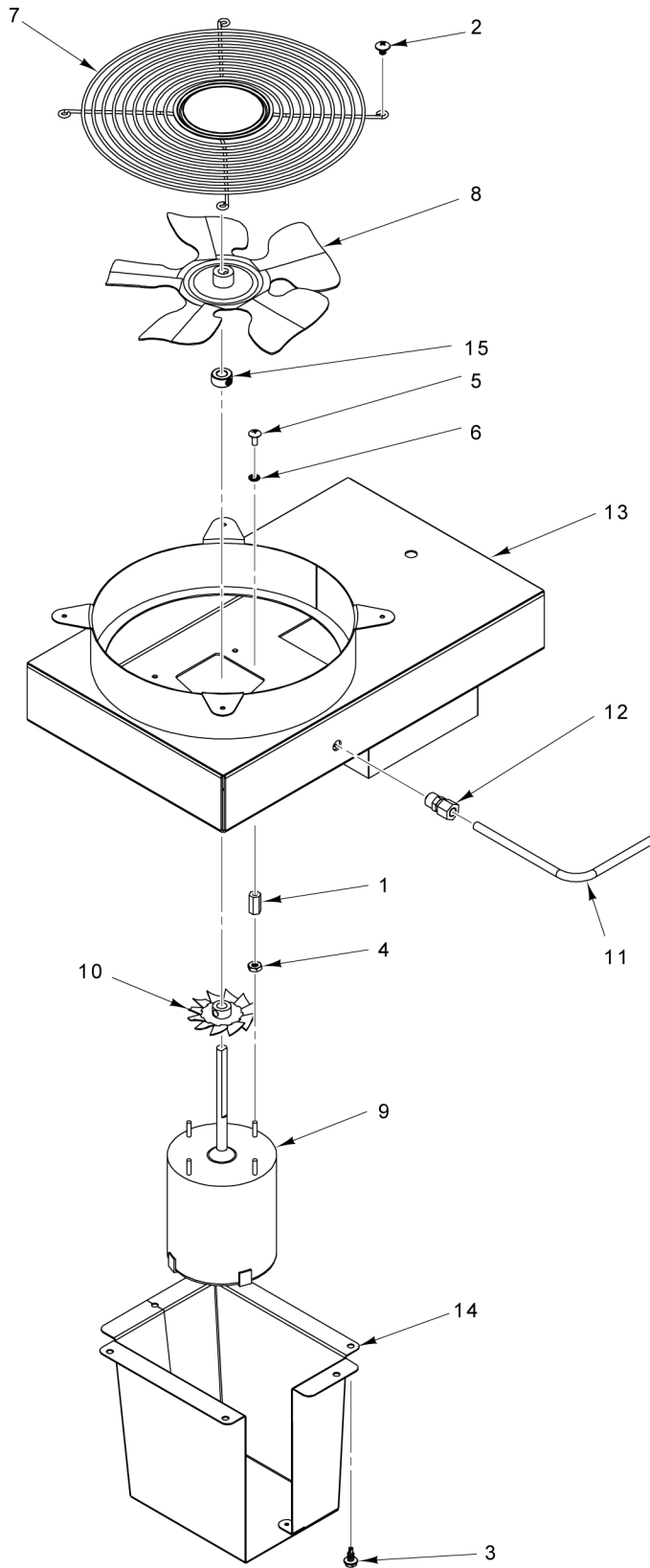
\* Qty. is Per Handle



**ROTATOR AND RACK ASSEMBLY**

## ROTATOR AND RACK ASSEMBLY

ILLUS. PL-62441	PART NO.	NAME OF PART	AMT.
1	01-1000V4-00533	Cap Screw 1/4-20 x 1/2 Hex Hd. (SST).....	1
2	01-1M5553-00001	Magnet Assy.....	1
3	01-1M5552-00001	Switch Assy. (Rack Rotation) (Incls. Items 4, & 24 thru 28).....	1
4	01-1000V4-00400	Cap Screw 10-32 x 3/4 Hex Hd. (SST).....	2
5	01-1000V3-00116	Belt - V (64 In.).....	1
6	01-1000V3-00090	Sheave.....	1
7	01-1000V1-00095	Key (SST).....	1
8	01-1000V1-00097	Snap Ring (SST).....	1
9	01-1M6835-00301	Washer.....	3
10	01-1M6835-00103	Washer.....	1
11	01-1000V0-00132	Bearing - Thrust.....	1
12	01-1000V4-00533	Cap Screw 1/4-20 x 1/2 Hex Hd. (SST).....	1
13	01-1M3358-00004	Disk - Thrust.....	1
14	01-1000V4-00284	Screw 10-32 x 3/4 Hex Washer Hd., Serrated Flange (SST).....	8
15	01-1M7462-00001	Motor Assy. (Rack Rotation) (Incls. Items 16 thru 18).....	1
16	01-1000V3-00117	Sheave - Die Cast (2.5 In. x 0.5 in. Bore).....	1
17	01-1000V4-00284	Screw 10-32 x 3/4 Hex Washer Hd., Serrated Flange (SST).....	4
18	01-1M7463-00001	Plate - Rack Rotation Motor.....	1
19	01-1000V0-0072B	Bearing - Rotator (Lower).....	1
20	01-1M7465-00001	Shaft - Rotator (Upper).....	1
21	01-1000V4-00412	Mach. Screw 10-32 x 1/2 Phil. Truss Hd. (SST).....	1
22	01-1M3363-00004	Housing - Rotator (Upper).....	1
23	01-1000V0-00141	Bearing.....	1
24	01-1000V4-00313	Screw 4-40 x 3/8 (SST).....	2
25	01-1000V4-00464	Lockwasher #4 (SST).....	2
26	01-1M5816-00101	Switch Assy. - Door Magnet.....	1
27	01-1M3384-00002	Bracket - Mounting Switch.....	1
28	01-1000V4-00462	Nut 4-40 Hex (SST).....	2
29	01-1M5965-00005	Rack - End Load (5-Pan) (Removable) (Step Slide).....	1
30	01-1M5965-0006D	Rack - End Load (6-Pan) (Removable) (Step Slide).....	1
31	01-1M5965-0008D	Rack - End Load (8-Pan) (Removable) (Step Slide).....	1
32	01-1M5965-00006	Rack - End Load (6-Pan) (Removable) (Straight Slide).....	1
33	01-1M5965-00008	Rack - End Load (8-Pan) (Removable) (Straight Slide).....	1
34	01-1M5965-00010	Rack - End Load (10-Pan) (Removable) (Straight Slide).....	1
35	01-1M5965-00012	Rack - End Load (12-Pan) (Removable) (Straight Slide).....	1
36	01-1M5967-00006	Rack - Side Load (6-Pan) (Removable) (Straight Slide).....	1
37	01-1M5967-00008	Rack - Side Load (8-Pan) (Removable) (Straight Slide).....	1
38	01-1M3366-00001	Shaft - Lower Rotator.....	1
39	01-1M3364-00002	Housing - Bearing (Lower Rotator).....	1
40	01-1M3417-00003	Support, Rack Bottom Assy. (For End-Load Removable Racks Only) (Items 29 thru 35).....	1
41	01-1M3417-00004	Support, Rack Bottom Assy. (For Side-Load Removable Racks Only) (Items 36 & 37).....	1

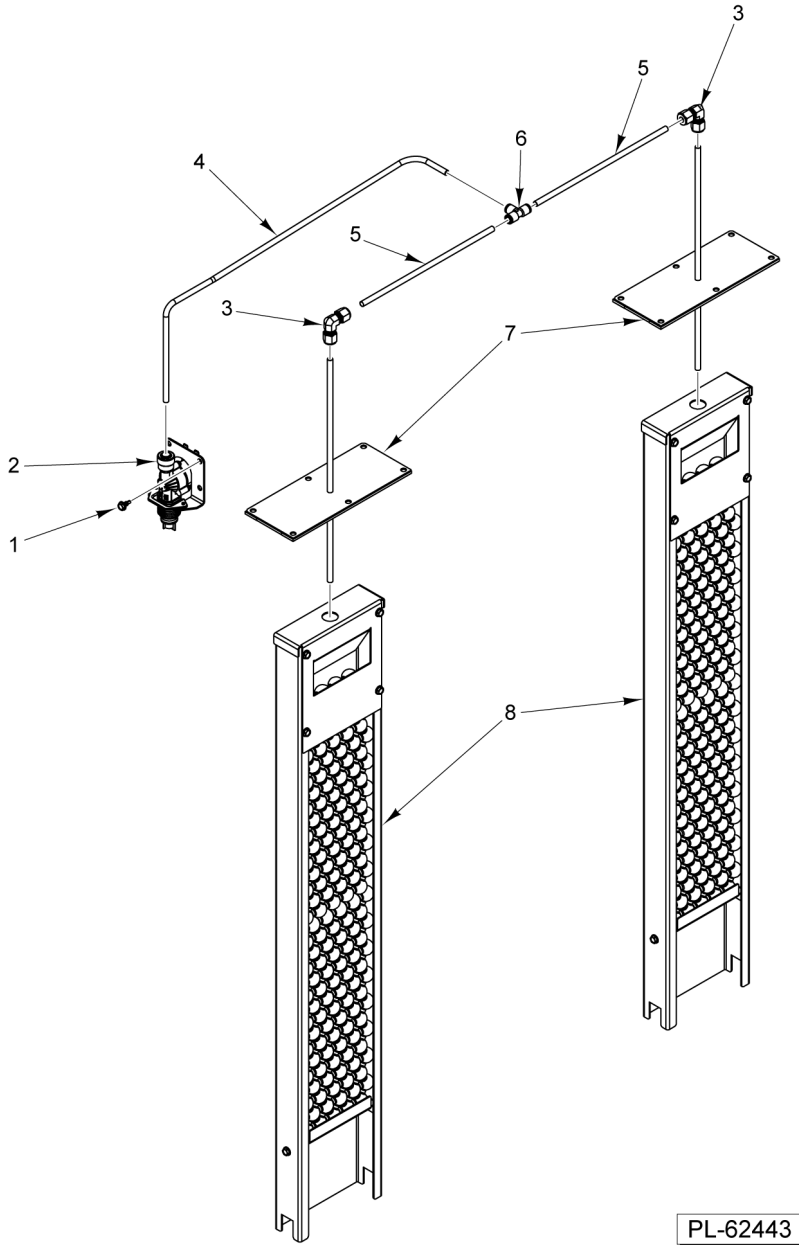


PL-62442

**DRAFT INDUCER ASSEMBLY**

**DRAFT INDUCER ASSEMBLY**

<b>ILLUS.</b>	<b>PART NO.</b>	<b>NAME OF PART</b>	<b>AMT.</b>
<b>PL-62442</b>			
1	01-1000V4-00220	Nut - Coupler 8-32 x 5/8.....	4
2	01-1000V4-00351	Screw 10-32 x 1/4 Phil. Truss Hd. (SST).....	4
3	01-1000V4-00401	Screw 10-16 x 1/2 Hex Washer Hd.....	9
4	01-1000V4-00455	Nut - Hex #10-32 (SST).....	4
5	01-1000V4-00509	Mach. Screw 8-32 x 3/8 (SST).....	4
6	01-1000V4-00649	Washer - Lock.....	4
7	01-1000V8-00090	Guard - Blower Wheel.....	1
8	01-1000V8-00095	Blade - Fan.....	1
9	01-1000V8-00098	Motor - Fan (3000 RPM).....	1
10	01-1000V8-00099	Blade - Fan 2 In. Dia.....	1
11	01-100V17-00004	Tube 1/4 O.D. x 100 In. Lg. (Alum.).....	1
12	01-100V17-00280	Fitting - Compression (1/8 NPT).....	1
13	01-1M4441-00001	Weldment - Draft Inducer.....	1
14	01-1M4465-00001	Shroud - Motor.....	1
15		Collar - Set.....	1
16	01-1M4712-00001	Vent - Direct (For Direct Vent Option).....	1
17	01-1M7222-00001	Assy., Pressure Switch (Plastic) (Incls. Item 18).....	1
18	01-100V17-00656	Tubing, Rubber - High Temp 3/16 I.D. (Sold Per Inch).....	AR



PL-62443

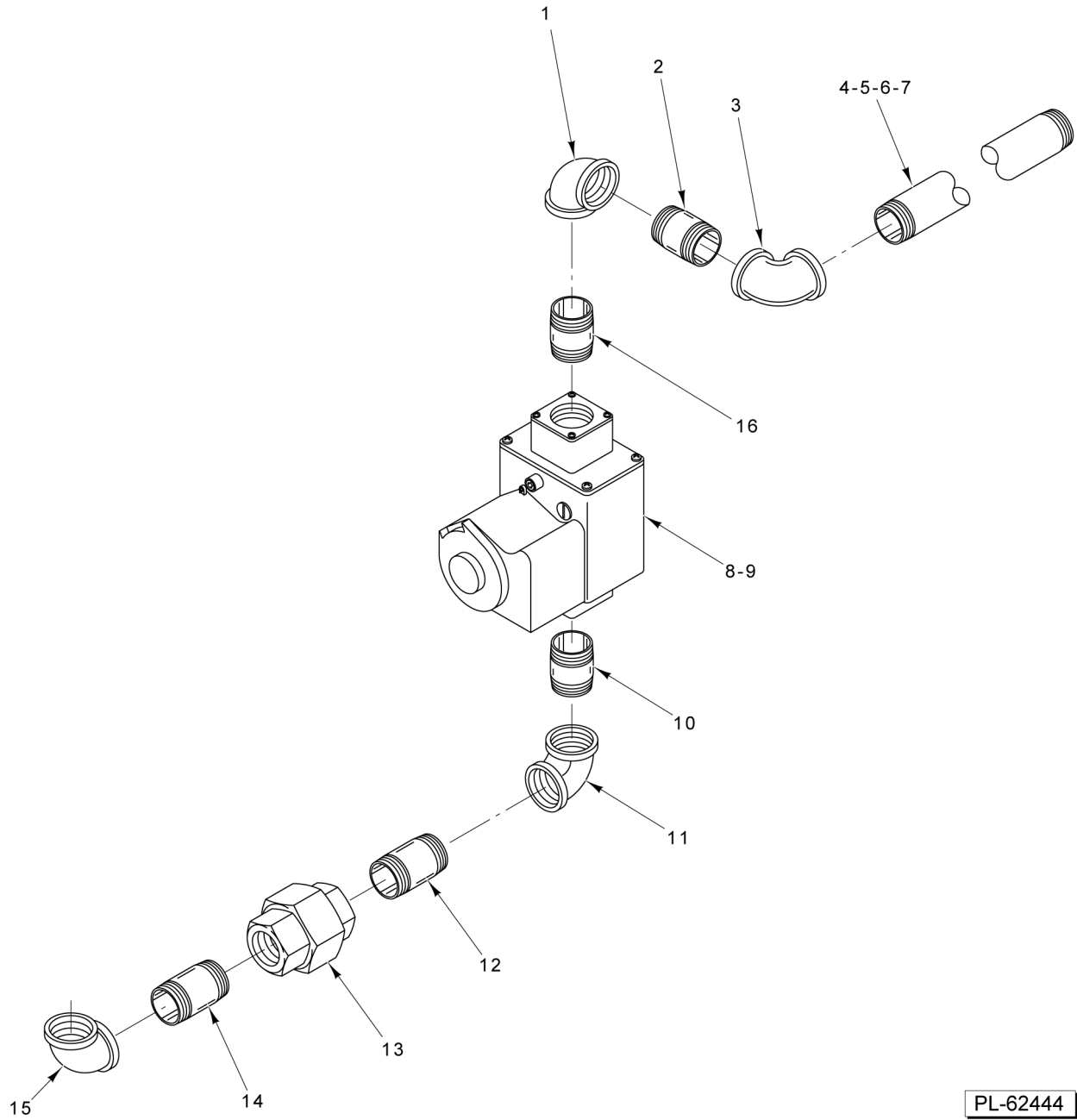
**WATER/STEAM SUPPLY**

**WATER/STEAM SUPPLY**

<b>ILLUS.</b>	<b>PART NO.</b>	<b>NAME OF PART</b>	<b>AMT.</b>
1	01-1000V4-00401	Screw 10-16 x 1/2 Hex Washer Hd.....	3
2	01-1M7608-00001	Water Solenoid Assy.....	1
3	01-100V17-00853	Elbow 90 Deg. - 1/4 x 1/4 In. (SST).....	2
4	01-1M7616-00001	Tube 1/4 In. Plastic - Clear.....	1
5	01-1M7615-00001	Tube 1/4 In. (SST).....	2
6	01-100V17-00823	Tee, Push to Connect 1/4 In. Tubing.....	1
7	01-1M7605-00001	Steam Manifold Assy.....	2
8	01-1M6004-00001	Steamer - Mass Assy.....	2

- 17 Plate - Collector Seal
- 18 Gas Supply Assy. (NAT)
- 19 Gas Supply Assy. (LP)
- 20 Cover - Gas Valve
- 21 Kit - Gas Connection
- 22 Cable - Restraining (60 In.)

**PARTS NOT ILLUSTRATED**

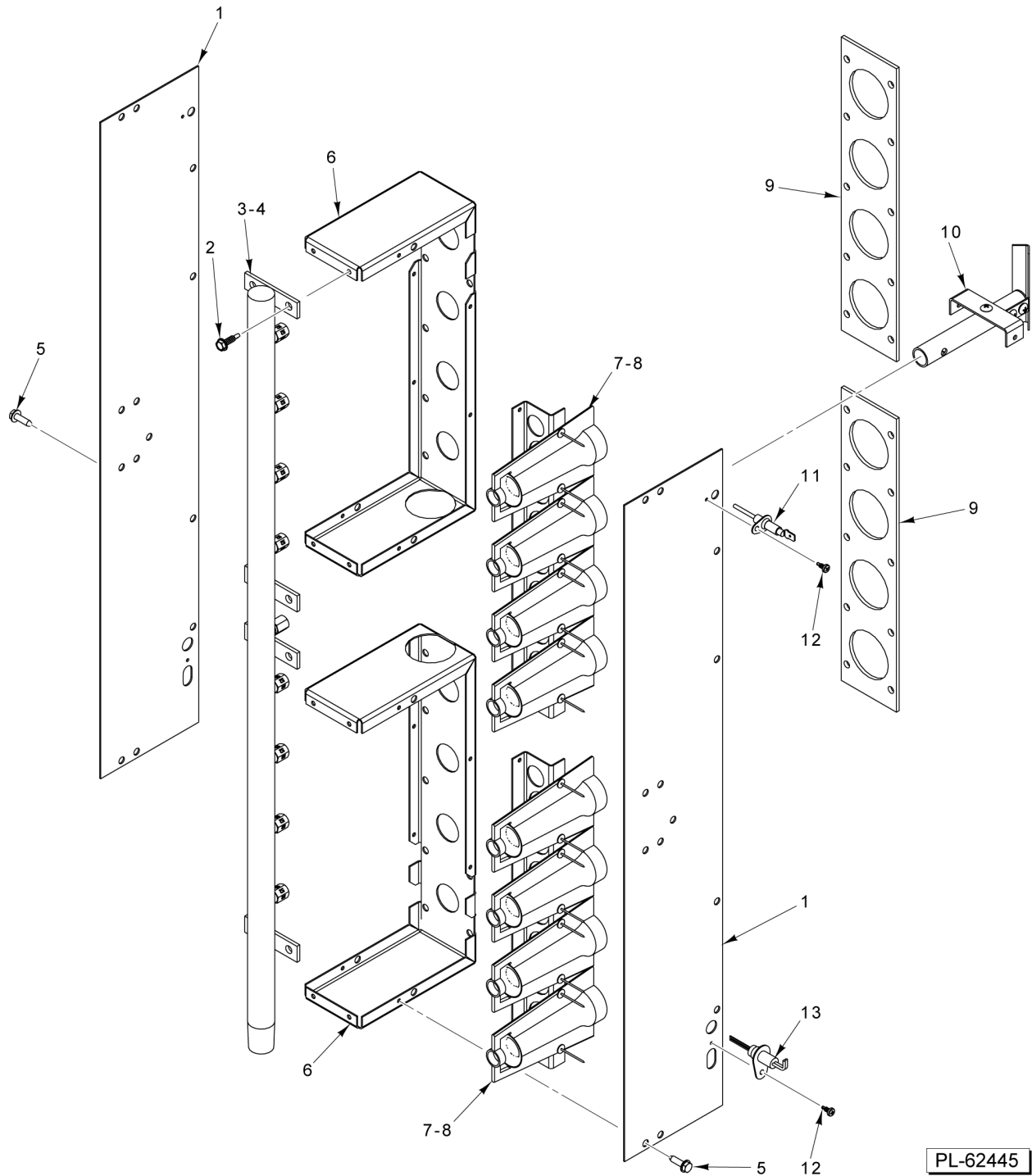


PL-62444

**GAS SUPPLY**

**GAS SUPPLY**

<b>ILLUS.</b>	<b>PART NO.</b>	<b>NAME OF PART</b>	<b>AMT.</b>
	<b>PL-62444</b>		
1	01-100V17-00512	Elbow - Pipe 1/2 NPT x 90 Deg. (Black).....	1
2	01-100V17-00492	Pipe - Close 1/2 NPT (Black).....	1
3	01-100V17-00512	Elbow - Pipe 1/2 NPT x 90 Deg. (Black).....	1
4	01-100V17-00713	Pipe 1/2 x 24.....	1
5	01-100V17-00631	Coupler - Reducing (3/4 to 1/2).....	1
6	01-1M4381-00201	Pipe 3/4 x 4 NPT (Black).....	1
7	01-1M4510-00001	Plate - Pipe Lock 3/4.....	1
8	01-1000V9-00188	Valve - Gas (1 Stage) (Also Order Item 9 for LP Units).....	1
9	01-1000V9-00128	Kit - LP Conversion.....	1
10	01-100V17-00492	Pipe - Close 1/2 NPT (Black).....	1
11	01-100V17-00512	Elbow - Pipe 1/2 NPT x 90 Deg. (Black).....	1
12	01-100V17-00794	Pipe 1/2 x 2 In. NPT (Black).....	1
13	01-100V17-00463	Union 1/2 NPT (Black).....	1
14	01-100V17-00492	Pipe - Close 1/2 NPT (Black).....	1
15	01-100V17-00512	Elbow - Pipe 1/2 NPT x 90 Deg. (Black).....	1
16	01-100V17-00492	Pipe - Close 1/2 NPT (Black).....	1
17	01-1M4224-00001	Plate - Collector W/ Seal.....	1
18	01-1M4381-00004	Gas Supply Assy. (NAT) (Incls. Items 1 thru 8 & 10 thru 14).....	1
19	01-1M4381-00005	Gas Supply Assy. (LP) (Incls. Items 6 thru 14).....	1
20	01-1M4527-00001	Cover - Gas Valve.....	1
21	01-100V17-00489	Kit - Gas Connection (Flexible Quick Disconnect) (Optional Part) (Incls. Item 22).....	1
22	01-100V17-00605	Cable - Restraining (60 In.).....	1

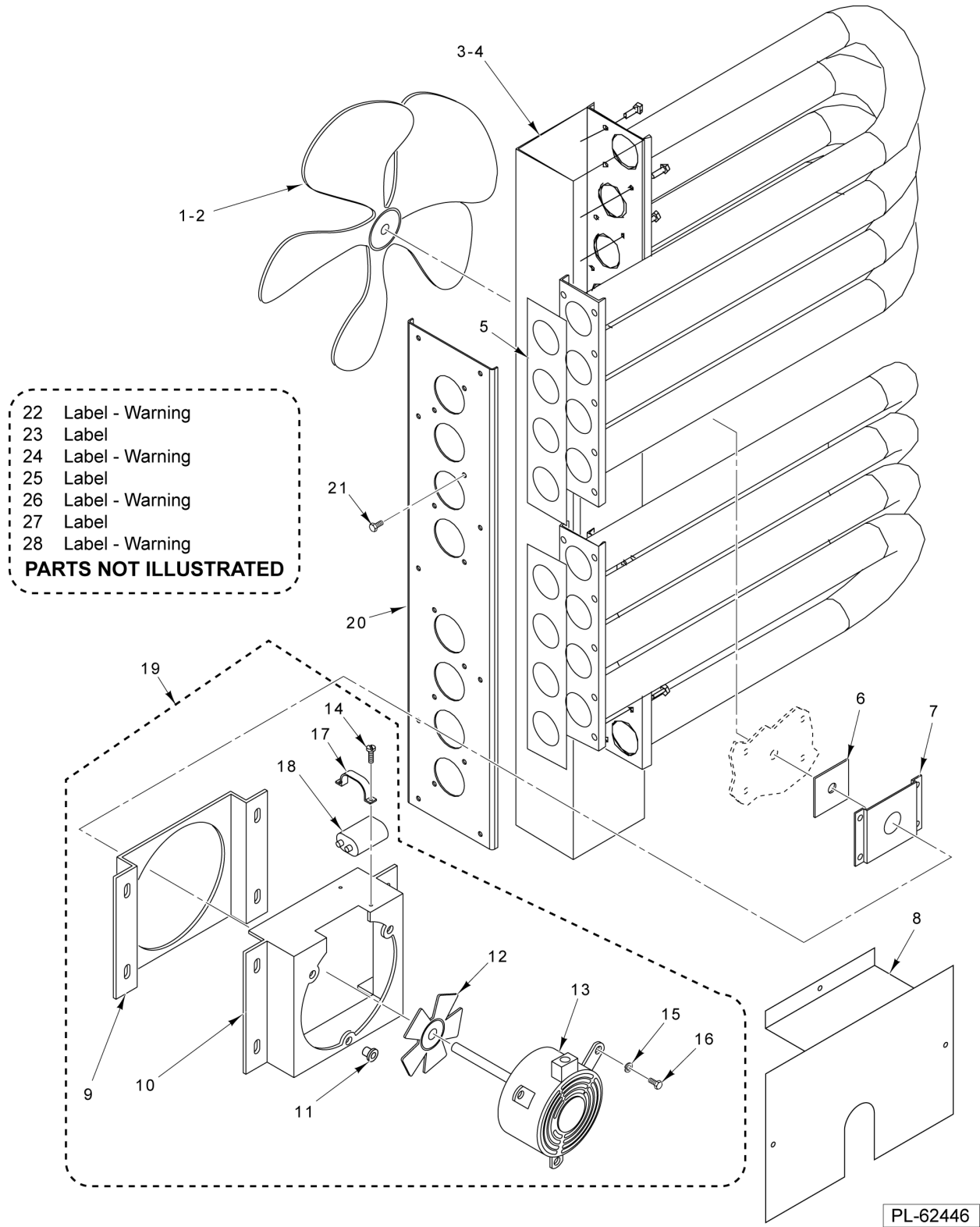


PL-62445

### BURNER RACK ASSEMBLY

**BURNER RACK ASSEMBLY**

ILLUS.	PART NO.	NAME OF PART	AMT.
PL-62445			
1	01-1M4229-00001	Plate - Side Cover.....	2
2	01-1000V4-00385	Screw - Sheet Metal, Hex Hd. 10-16 x 3/4 (SST).....	AR
3	01-100V16-0482B	Manifold (NAT).....	1
4	01-100V16-0482C	Manifold (LP).....	1
5	01-1000V4-00401	Screw 10-16 x 1/2 Hex Washer Hd.....	AR
6	01-1M4227-00001	Housing - Burner.....	2
7	01-100V12-00036	Rivet.....	AR
8	01-1M4267-00201	Inshot Assy.....	2
9	01-100V16-00481	Gasket - Heat Exchanger (Burner).....	2
10	01-1M4348-00002	Pipe - Crossover Assy.....	1
11	01-1000V9-00151	Sensor - Flame Rod.....	1
12	01-1000V4-00510	Screw Mach. - Pan Head (6-20 x 0.375).....	2
13	01-1000V9-00149	Ignitor - Hot Surface.....	1



**HEAT EXCHANGER AND AIR CIRCULATION SYSTEM**

## HEAT EXCHANGER AND AIR CIRCULATION SYSTEM

ILLUS.	PART NO.	NAME OF PART	AMT.
PL-62446			
1	01-1000V8-00160	Blade - Fan Circulation.....	1
2	01-1M6245-00001	Kit - Fan Blade (Incls. Chip) (Dunkin Donuts).....	1
3	01-1M4448-00002	Heat Exchanger.....	1
4	01-100V16-00510	Gasket - Heat Exchanger (Collector).....	2
5	01-100V16-00481	Gasket - Heat Exchanger (Burner).....	2
6	01-1M3343-00002	Seal - Fan.....	1
7	01-1M3342-00001	Retainer - Seal.....	1
8	01-1M4352-00002	Cover - Insulation.....	1
9	01-1M4447-00002	Channel - Fan Inlet.....	1
10	01-1M4390-00002	Base - Motor Bracket (Incls. Item 11).....	1
11	01-1000V4-00122	Insert - Threaded 1/4-20.....	3
12	01-1000V8-00097	Blade - Fan (Motor).....	1
13	01-1M4881-00001	Motor - Circulation.....	1
14	01-1000V4-00474	Screw 10-32 x 1/2 Hex Washer Hd. (Zinc).....	AR
15	01-1000V4-0047D	Washer - Lock 1/4 (SST).....	3
16	01-1000V4-00534	Bolt 1/4-20 x 3/4 In.....	3
17	01-1000V8-0049D	Bracket - Mounting.....	1
18	01-1A2141-00001	Kit - Capacitor (Incls. Item 17).....	1
19	01-1M4446-00001	Circulation Motor Assy. (Incls. Items 9 thru 18).....	1
20	01-1M5986-00002	Seal - Plate Assy.....	2
21	01-1000V4-00385	Screw - Sheet Metal, Hex Hd. 10-16 x 3/4 (SST).....	AR
22	01-100V16-0259F	Label - Warning (Hot Air).....	1
23	01-100V16-0849F	Label (With Casters).....	1
24	01-100V16-00633	Label - Warning (Improper Install).....	1
25	01-100V16-0602F	Label (Do Not Store Items On Top).....	1
26	01-100V16-0823F	Label - Warning (Breaker Behind Cover).....	1
27	01-100V16-0520F	Label (Requires Exhaust Hood).....	1
28	01-100V16-0403F	Label - Warning (California).....	1

