



# CATALOG OF REPLACEMENT PARTS



## PW SERIES PROOFERS AND RPW SERIES RETARDER/PROOFERS

**PW SERIES**

**ML-132604 through  
ML-132628**

**RPW SERIES**

**ML-132629 through  
ML-132643**



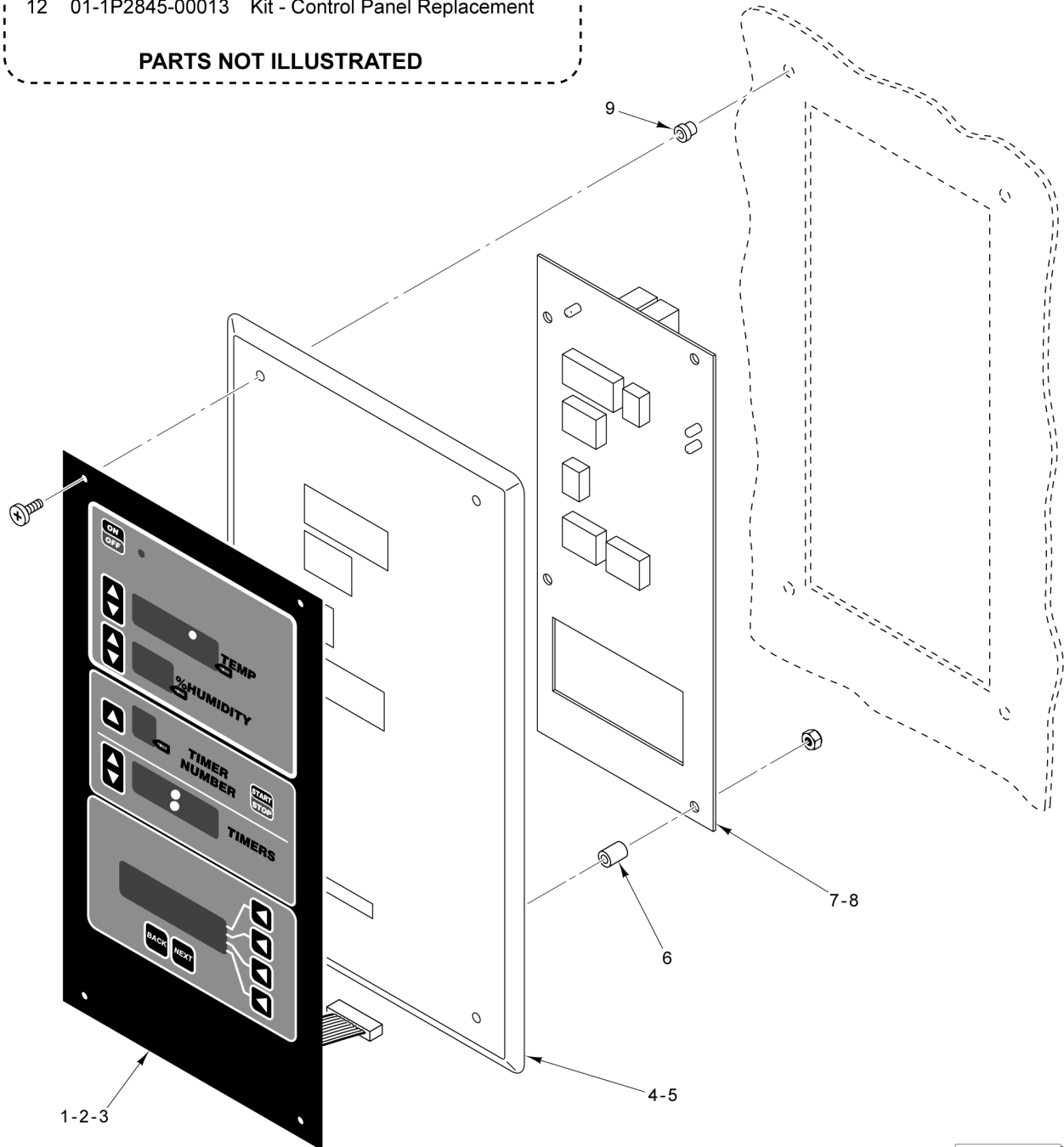
### **Table of Contents**

5	CONTROL PANEL (FLAT PANEL DESIGN)
7	CONTROL PANEL (EXTENDED PANEL DESIGN)
9	SERVICE ENTRANCE
13	SINGLE DOOR ASSEMBLY
15	DOUBLE DOOR ASSEMBLY
17	LIGHT FIXTURE
19	WALLS AND CEILINGS (PW1E)
21	WALLS AND CEILINGS (PW1S AND RPW1S)
23	WALLS AND CEILINGS (PW2E AND RPW2E)
25	WALLS AND CEILINGS (PW2S AND RPW2S)
27	WALLS AND CEILINGS (PW3S)
29	FLOOR SECTIONS
31	WALL ANGLES (WITHOUT FLOOR SECTIONS)
33	TRIM AND INTERIOR BUMPERS
35	STEAM ASSEMBLY
37	DRAIN
39	CONDENSER/EVAPORATOR (RPW1S)
41	CONDENSER/EVAPORATOR (RPW2E AND RPW2S)
43	EXTERIOR WATER SUPPLY

**FOR USE WHEN REPLACING BOTH  
LABEL AND PCB ON FLAT PANEL DESIGNS**

- 10 01-1P2845-00011 Kit - Control Panel Replacement
- 11 01-1P2845-00012 Kit - Control Panel Replacement
- 12 01-1P2845-00013 Kit - Control Panel Replacement

**PARTS NOT ILLUSTRATED**

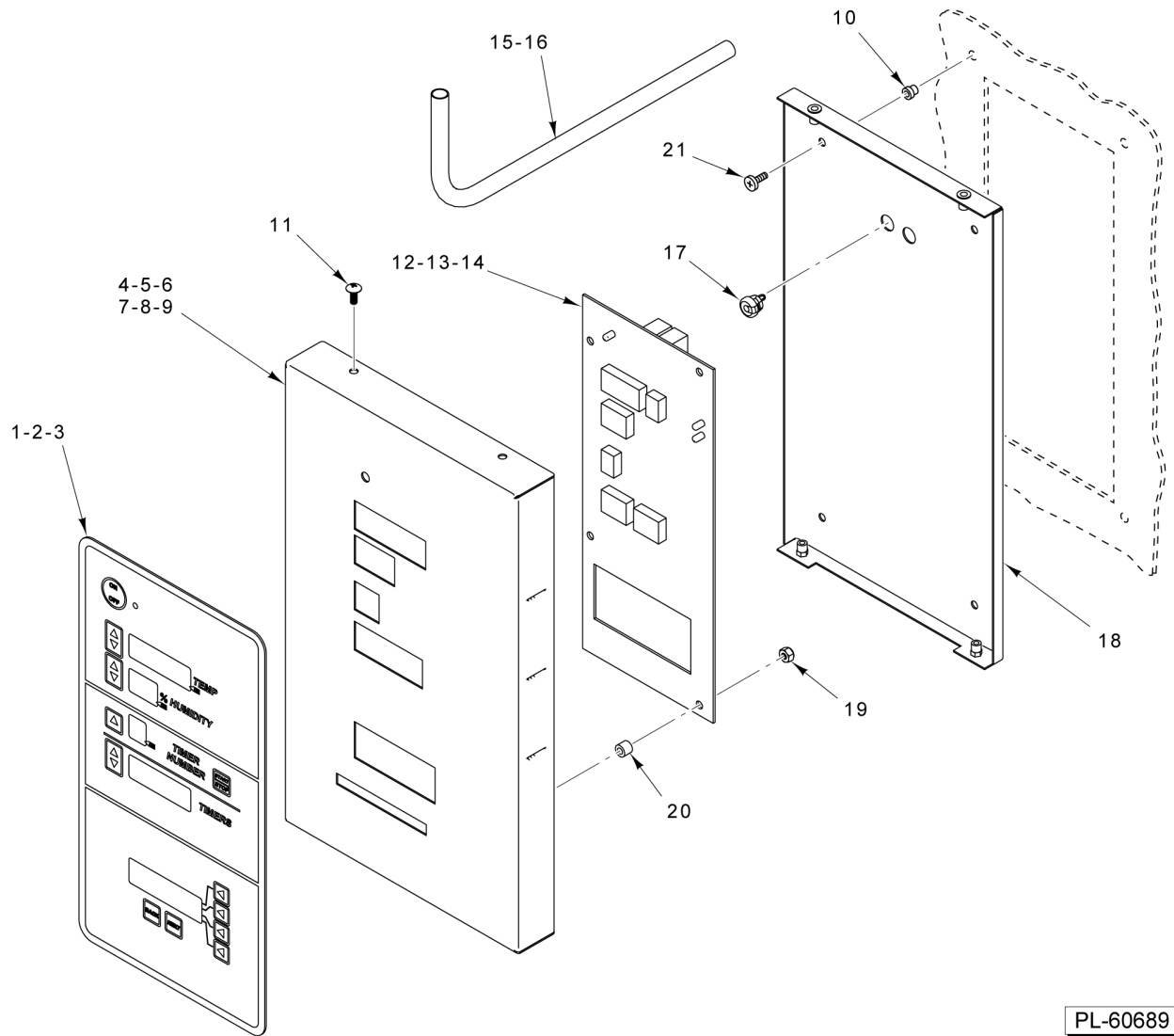


PL-58487

**CONTROL PANEL  
(FLAT PANEL DESIGN)**

**CONTROL PANEL  
(FLAT PANEL DESIGN)**

ILLUS.	PART NO.	NAME OF PART	AMT.
PL-58487			
1	01-100V16-00599	Overlay (Generic) (Advanced Controls) (Proofer).....	1
2	01-100V16-00831	Overlay (Generic) (Advanced Controls) (Retarder/Proofer).....	1
3	01-100V16-00688	Overlay (Generic) (Advanced Controls) (Proofer) (COSTCO).....	1
4	01-1P2024-00002	Plate - Control Panel (Blank Panel, for Retarder only SEF Units).....	1
5	01-100V21-00092	Gasket - PVC-Extruded ("B" Shape).....	AR
6	00-913102-00218	Kit - Washers (Nylon).....	1
7	01-100V16-00830	Board - Control (Retarder/Proofer).....	1
8	01-100V16-00829	Board - Control (Proofer).....	1
9	01-1000V4-00121	Insert - Threaded 10-32 Hex.....	4
10	01-1P2845-00011	Kit - Control Panel Replacement (Incls. Items 1, 4, 5, 6, & 8) (Proofer).....	1
11	01-1P2845-00012	Kit - Control Panel Replacement (Incls. Items 2, 4, 5, 6, & 7) (Retarder/Proofer) (Standard & COSTCO).....	1
12	01-1P2845-00013	Kit - Control Panel Replacement (Incls. Items 3, 4, 5, 6, & 8) (Proofer) (COSTCO) .....	1



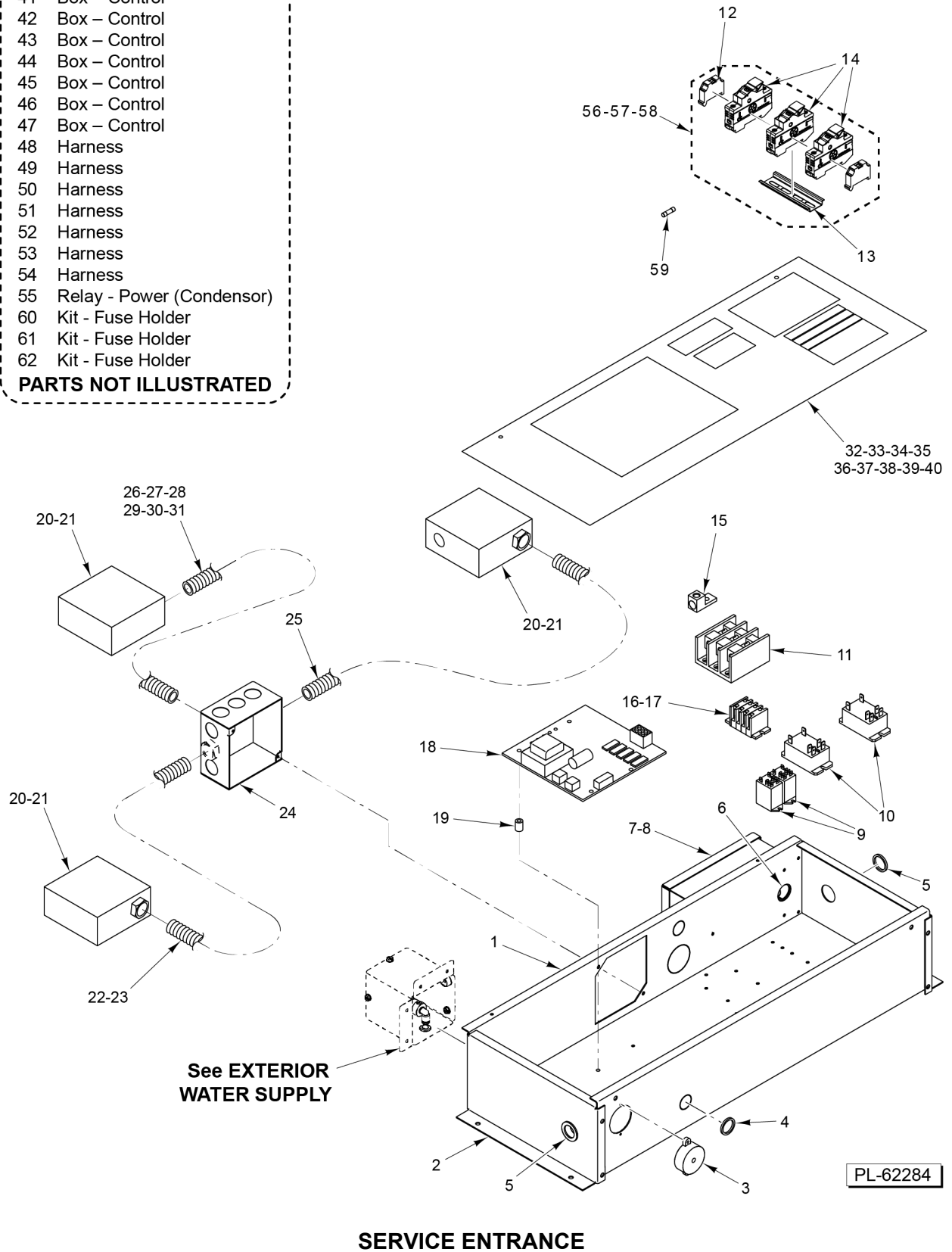
**CONTROL PANEL  
(EXTENDED PANEL DESIGN)**

**CONTROL PANEL  
(EXTENDED PANEL DESIGN)**

ILLUS.	PART NO.	NAME OF PART	AMT.
PL-60689			
1	01-100V16-00599	Overlay (Generic) (Advanced Controls) (Proofer).....	1
2	01-100V16-00831	Overlay (Generic) (Advanced Controls) (Retarder/Proofer).....	1
3	01-100V16-00688	Overlay (Advanced Controls) (Proofer) (COSTCO).....	1
4	01-1P2866-00001	Panel Assy. (Proofer) (Incls. Item 1).....	1
5	01-1P2866-00002	Panel Assy. (Retarder/Proofer) (Incls. Item 2).....	1
6	01-1P2866-00003	Panel Assy. (Proofer) (COSTCO) (Incls. Item 3).....	1
7	01-1P2865-00001	Control Panel Assy. (Proofer) (Incls. Items 1, 4, 12, 19, & 20).....	1
8	01-1P2865-00002	Control Panel Assy. (Retarder/Proofer) (Incls. Items 2, 5, 13, 19 & 20).....	1
9	01-1P2865-00003	Control Panel Assy. (Proofer) (COSTCO) (Incls. Items 3, 6, 12, 19, & 20).....	1
10	01-1000V4-00121	Insert - Threaded 10-32 Hex.....	4
11	01-1000V4-00412	Mach. Screw 10-32 x 1/2 Phil. Truss Hd. (SST).....	4
12	01-100V16-00829	Board - Control (Proofer).....	1
13	01-100V16-00830	Board - Control (Retarder/Proofer).....	1
14	01-100V16-01059	Board - Control, w/USB (Proofer use Item 12) (Retarder use Item 13).....	1
15	01-1P1383-00003	Conduit - Wire (Proofer & Proofer/Retarder).....	1
16	01-1P1383-00004	Conduit - Wire (COSTCO).....	1
17	01-100V15-00071	Bushing - Strain Relief.....	2
18	01-1P2832-00002	Bracket - Control.....	1
19	01-1000V4-00430	Nut - Nylock 10-32 (Brass).....	4
20	01-1000V5-00164	Spacer 3/8 x 5/16 Lg. (Nylon).....	4
21	01-100V10-00251	Transformer (120-24 V.) (With Reset).....	1
22	01-1P2429-00005	Holder.....	1
23		Screw.....	4
24	01-100V16-00689	Overlay (Four Timer) (COSTCO).....	1
25	01-1P2427-00001	Control Panel Assy. (Multi-Timer) (Incls. Items 24 & 26 thru 29).....	1
26	01-1P2427-00101	Panel (Without Label).....	1
27	01-1000V5-00164	Spacer 3/8 x 5/16 Lg. (Nylon).....	3
28	01-100V16-00693	Control Board (Four Timer) (COSTCO).....	1
29	01-1000V4-00430	Nut - Nylock 10-32 (Brass).....	3
30		Screw.....	4

- 41 Box – Control
- 42 Box – Control
- 43 Box – Control
- 44 Box – Control
- 45 Box – Control
- 46 Box – Control
- 47 Box – Control
- 48 Harness
- 49 Harness
- 50 Harness
- 51 Harness
- 52 Harness
- 53 Harness
- 54 Harness
- 55 Relay - Power (Condensor)
- 60 Kit - Fuse Holder
- 61 Kit - Fuse Holder
- 62 Kit - Fuse Holder

**PARTS NOT ILLUSTRATED**



**SERVICE ENTRANCE**

ILLUS. PL-62284	PART NO.	NAME OF PART	AMT.
1	01-1P2382-00001	Base (Component Box).....	1
2	01-1P2383-00001	End (Component Box).....	2
3	01-1P1749-00002	Beeper Assy.....	1
4	01-1000V5-00166	Bushing - Snap (3/4 In.).....	1
5	01-1000V5-00035	Bushing - Snap (1 In.).....	2
6	01-1000V5-00059	Bushing - Snap 7/8 In. (Plastic).....	1
7	01-1000V6-00191	Breaker - Circuit (15 Amp., 120/240 V.).....	1
8	01-100V11-00139	Box - Breaker.....	1
9	01-1000V6-00327	Relay DPDT (1/4 Hp., 120 VAC).....	2
10	01-1000V6-00225	Relay - Power (6 Terminal).....	AR
11	01-1000V5-00096	Block - Power Distribution.....	1
12	01-1000V5-00406	Stop - Terminal Section End.....	1
13	01-1P2980-00001	Rail - Din (4 In.).....	1
14	01-100V10-00364	Holder - Fuse.....	AR
15	01-1000V5-00037	Lug - Terminal.....	1
16	01-1000V5-00105	Terminal - Section Flat Mount (600 V.).....	5
17	01-1000V5-00106	End - Section Flat Mount (600 V.).....	1
18	01-1P3045-00001	Kit - Upgrade, Power Supply Board.....	1
19	01-1000V5-00164	Spacer 3/8 x 5/16 Lg. (Nylon).....	4
20	01-1P2451-00301	Base (J-Box).....	AR
21	01-1P2451-00302	Cover (J-Box).....	AR
*22	01-1P2734-0001S	Harness - Extension (1-Duct Unit, 1 Ph.) (1 Solenoid).....	1
*23	01-1P2734-0001T	Harness - Extension (1-Duct Unit, 3 Ph.) (1 Solenoid).....	1
24	01-100V11-0024C	Box Assy. - Junction.....	1
*25	01-1P2734-0003T	Harness - Extension (3-Duct Unit, 3 Ph.) (2 Solenoids).....	1
*26	01-1P2734-0002S	Harness - Extension (2-Duct Unit, 1 Ph.).....	1
*27	01-1P2734-002T2	Harness - Extension (2-Duct Unit, 3 Ph.).....	1
*28	01-1P2734-002T3	Harness - Extension (2-Duct Unit, 3 Ph.).....	1
*29	01-1P2734-0004S	Harness - Extension (2-Duct Unit, 1 Ph.) (2 Solenoid 2-Duct).....	1
*30	01-1P2734-004T2	Harness - Extension (2-Duct Unit, 3 Ph.) (2 Solenoid 2-Duct).....	1
*31	01-1P2734-004T3	Harness - Extension (2-Duct Unit, 3 Ph.) (2 Solenoid 3-Duct).....	1
32	01-1P2726-00001	Cover Assy. - Component Box (1 Ph.) (1 Wide, 1-Duct).....	1
33	01-1P2726-00002	Cover Assy. - Component Box (1 Ph.) (1 Wide, 2-Duct).....	1
34	01-1P2726-00003	Cover Assy. - Component Box (3 Ph.) (1 Wide, 1-Duct).....	1
35	01-1P2726-00004	Cover Assy. - Component Box (3 Ph.) (1 Wide, 2-Duct).....	1
36	01-1P2726-00005	Cover Assy. - Component Box (1 Ph.) (2 Wide, 1-Duct).....	1
37	01-1P2726-00006	Cover Assy. - Component Box (1 Ph.) (2 Wide, 2-Duct).....	1
38	01-1P2726-00007	Cover Assy. - Component Box (3 Ph.) (2 Wide, 1-Duct).....	1
39	01-1P2726-00008	Cover Assy. - Component Box (3 Ph.) (2 & 3 Wide, 2-Duct).....	1
40	01-1P2726-00009	Cover Assy. - Component Box (3 Ph.) (2 & 3 Wide, 3-Duct).....	1
41	01-1P2940-00001	Box - Control (1-Duct Unit, 3 Ph.) (Incls. Item 48).....	1
42	01-1P2940-00002	Box - Control (2-Duct Unit, 3 Ph.) (1 Solenoid) (Incls. Item 49).....	1
43	01-1P2940-00003	Box - Control (3-Duct Unit, 3 Ph.) (2 Solenoids) (Incls. Item 50).....	1
44	01-1P2940-00004	Box - Control (2-Duct Unit, 3 Ph.) (2 Solenoids) (Incls. Item 51).....	1
45	01-1P2941-00001	Box - Control (1-Duct Unit, 1 Ph.) (Incls. Item 52).....	1
46	01-1P2941-00002	Box - Control (2-Duct Unit, 1 Ph.) (1 Solenoid) (Incls. Item 53).....	1
47	01-1P2941-00003	Box - Control (2-Duct Unit, 1 Ph.) (2 Solenoids) (Incls. Item 54).....	1
*48	01-1P2738-0001T	Harness - Control Box Complete (1 Duct, 3 Ph.).....	1
*49	01-1P2738-002T2	Harness - Control Box Complete (2 Duct, 3 Ph., 1 Solenoid).....	1
*50	01-1P2738-0003T	Harness - Control Box Complete (3 Duct, 3 Ph.).....	1
*51	01-1P2738-004T2	Harness - Control Box Complete (2 Duct, 3 Ph., 2 Solenoid).....	1
*52	01-1P2738-0001S	Harness - Control Box Complete (1 Duct, 1 Ph.).....	1
*53	01-1P2738-0002S	Harness - Control Box Complete (2 Duct, 1 Ph., 1 Solenoid).....	1
*54	01-1P2738-0004S	Harness - Control Box Complete (2 Duct, 1 Ph., 4 Solenoid).....	1
55	01-1000V6-00313	Relay - Power (Condensor).....	1

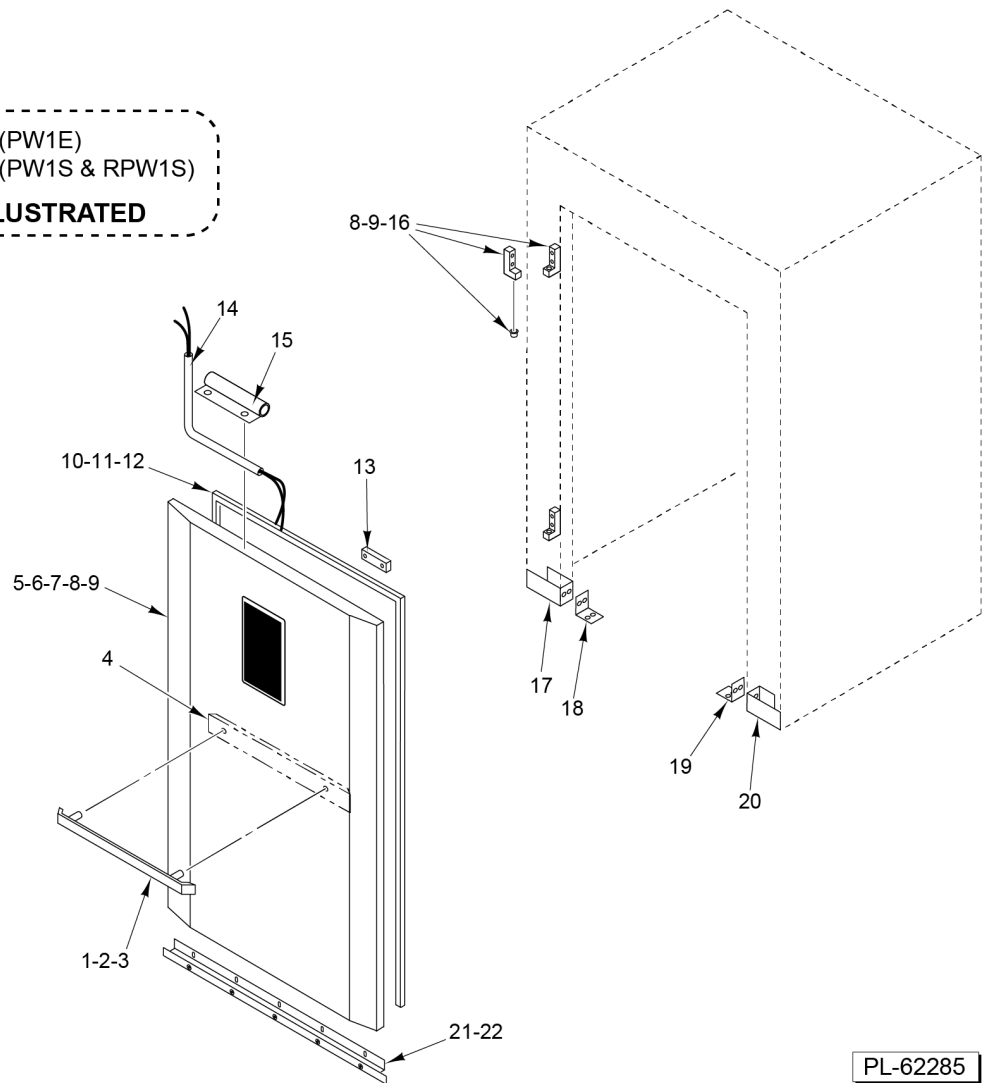
### SERVICE ENTRANCE

ILLUS.	PART NO.	NAME OF PART	AMT.
56	01-1P2979-00001	Fuse Holder - Block Assy. (1 pc.) (W/O Fuse) (Incls. Items 59 thru 61).....	1
57	01-1P2979-00002	Fuse Holder - Block Assy. (2 pc.) (W/O Fuses) (Incls. Items 12 thru 14).....	1
58	01-1P2979-00003	Fuse Holder - Block Assy. (3 pc.) (W/O Fuses) (Incls. Items 12 thru 14).....	1
59	01-100V10-00245	Fuse (25 Amp.) (1 & 3 Ph.).....	AR
**60	01-1P2982-00001	Kit - Fuse Holder (1 pc.) (W/O Fuses) (Single Duct).....	1
**61	01-1P2982-00002	Kit - Fuse Holder (2 pc.) (W/O Fuses) (Double Duct).....	1
**62	01-1P2982-00003	Kit - Fuse Holder (3 pc.) (W/O Fuses) (Triple Duct).....	1

\* Order Individual Harnesses, not complete package. Contact Baxter MFG.  
 \*\* Use Item 62 for Single Duct, Use Item 63 for Double Duct, Use Item 64 for Triple Duct

## NOTES

- 23 Skin - Inner Door (PW1E)
  - 24 Skin - Inner Door (PW1S & RPW1S)
- PARTS NOT ILLUSTRATED**



PL-62285

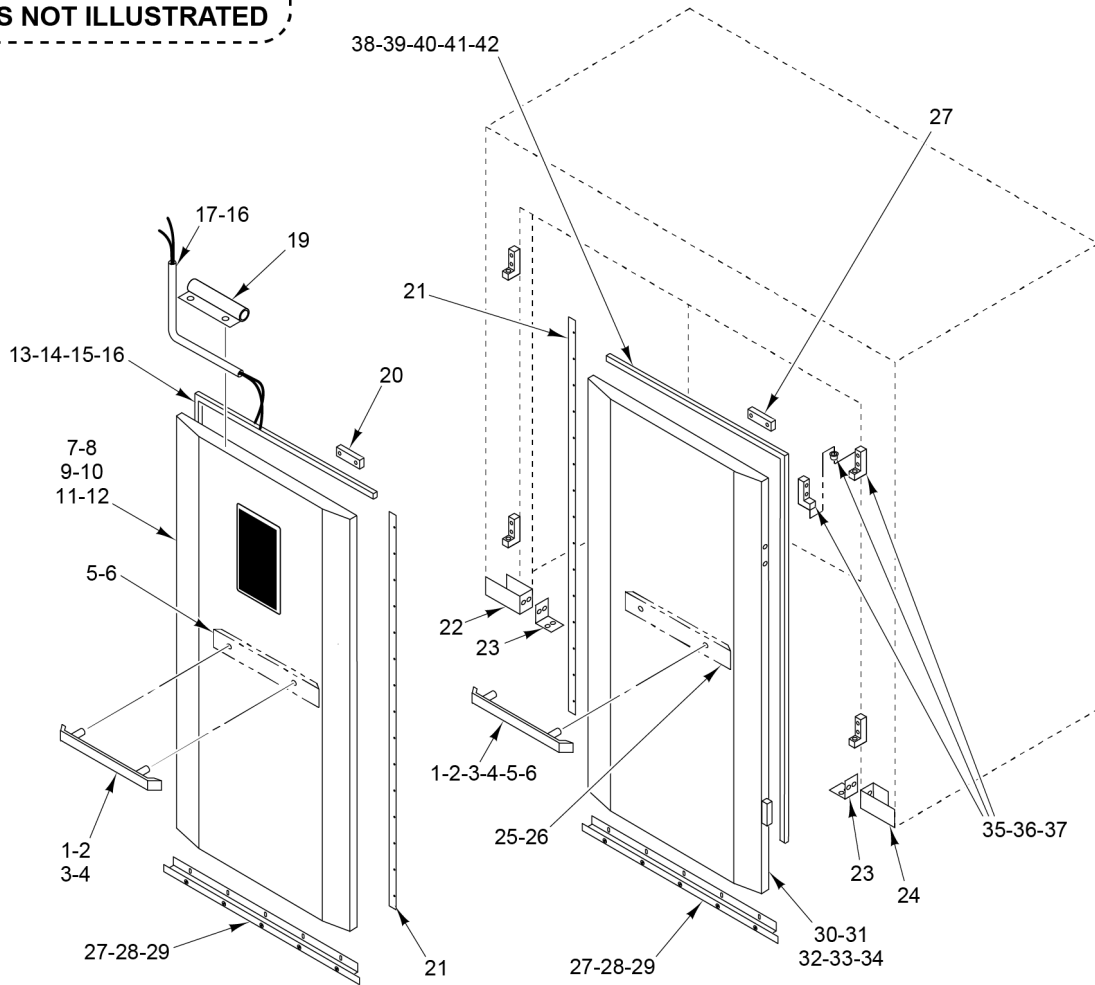
**SINGLE DOOR ASSEMBLY**

**SINGLE DOOR ASSEMBLY**

ILLUS.	PART NO.	NAME OF PART	AMT.
PL-62285			
1	01-1P2756-00001	Handle - Door Loading (SST) (Round).....	1
2	01-1M6103-0203B	Cap - End (Door Handle) (Oval) (Use with Item 1).....	2
3	01-100V15-00086	Cap, Handle - Door (Round) (Use with Item 1).....	2
4	01-1P1837-00011	Bumper - Door.....	1
5	01-1P2681-00003	Door - Control (PW1E).....	1
6	01-1P2683-00003	Door - Control (PW1S & RPW1S).....	1
7	01-1000V4-00119	Self-Tapping Screw 3/8-16 x 1-1/4 Phil. Flat Hd (4 per Hinge).....	8
*8	01-1000V4-00680	Screw Button Hd. 3/8-16 x 3/4 (SST).....	4
9	01-100V15-00064	Plug - Push-In (Black).....	8
10	01-100V16-0271C	Gasket - Door (Side).....	2
11	01-1P2321-00031	Gasket - Door (Top) (PW1E).....	1
12	01-1P2321-00033	Gasket - Door (Top) (PW1S & PRW1S).....	1
13	01-1P2453-00001	Magnet Assy. (Door).....	1
14	01-1P1383-00003	Conduit - Wire.....	1
15	01-1P1485-00002	Clamp - Wire Tube (Door).....	1
16	00-913047	Hinge Assy. (Incls. Bearing).....	2
17	01-1P2366-00001	Trim - Jamb (Front).....	1
18	01-1P2018-00002	Angle - Retainer.....	1
19	01-1P2018-00002	Angle - Retainer.....	1
20	01-1P2366-00002	Trim - Jamb (Front).....	1
21	01-1P2344-00001	Sweep - Door Assy. (PW1E).....	1
22	01-1P2344-00002	Sweep - Door Assy. (PW1S & PRW1S).....	1
23	01-1P2694-00001	Skin - Inner Door (PW1E).....	1
24	01-1P2694-00020	Skin - Inner Door (PW1S & RPW1S).....	1

\* Used in Unused Hinge Mounting Holes

- 43 Kit - Lapstrip/Magnet
  - 44 Strip - Lap (Door)
  - 45 Gasket - Door (Side)
- PARTS NOT ILLUSTRATED**



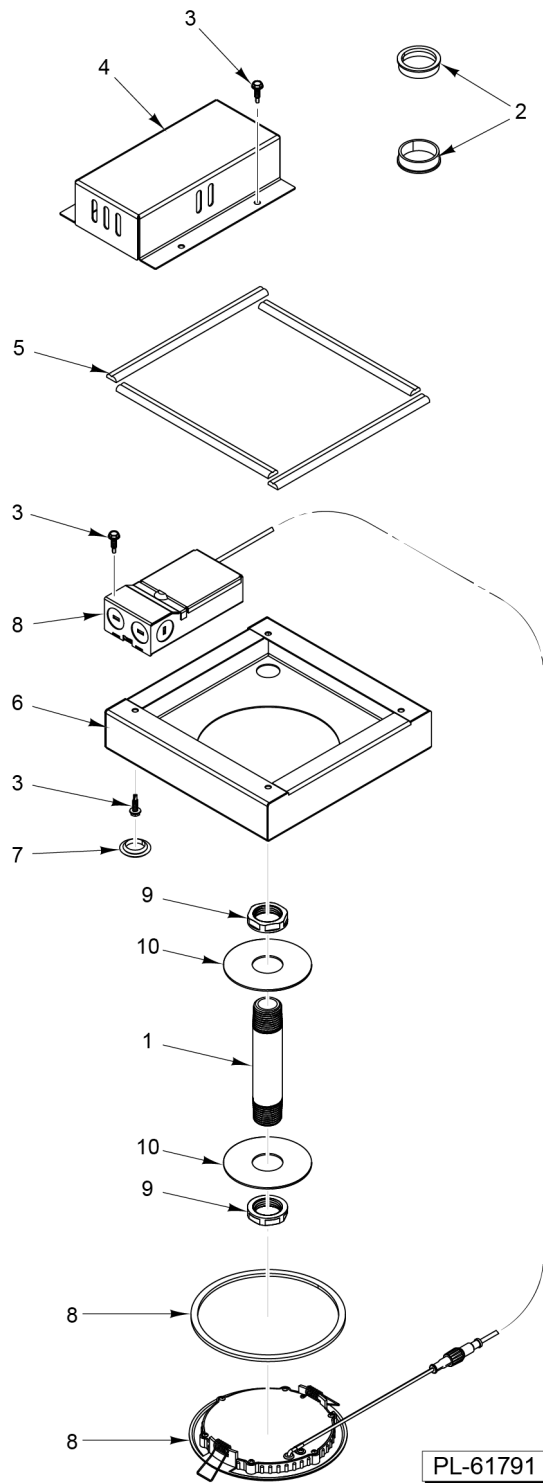
PL-62286

**DOUBLE DOOR ASSEMBLY**

**DOUBLE DOOR ASSEMBLY**

ILLUS.	PART NO.	NAME OF PART	AMT.
PL-62286			
1	01-1P2756-00001	Handle - Door Loading (SST) (Round) (All Except PW3S) .....	1
2	01-1P2756-00003	Handle - Door (Round) (PW3S).....	1
3	01-1M6103-0203B	Cap - End (Door Handle) (Oval) (Use with Items 1 & 2).....	2
4	01-100V15-00086	Cap, Handle - Door (Round) (Use with Items 1 & 2).....	2
5	01-1P1837-00011	Bumper - Door.....	1
6	01-1P1837-00004	Bumper - Door (PW3S).....	1
7	01-1P2681-00001	Door - Control (PW2E & RPW2E).....	1
8	01-1P2683-00001	Door - Control (PW2S & RPW2S) (Standard).....	1
9	01-1P2685-00003	Door - Control (PW3S) (Standard).....	1
10	01-1P2683-00004	Door - Control (PW2S & RPW2S) (Costco).....	1
11	01-1P2687-00003	Door - Control (PW3S) (Costco).....	1
*12	01-1000V4-00680	Screw Button Hd. 3/8-16 x 3/4 (SST).....	4
13	01-1P2321-00031	Gasket - Door (Top) (Control Door) (PW2E & RPW2E).....	1
14	01-1P2321-00033	Gasket - Door (Top) (Control Door) (PW2S & RPW2S).....	1
15	01-1P2321-00035	Gasket - Door (Top) (Control Door) (PW3S) (Standard & COSTCO).....	1
16	01-100V16-0271C	Gasket - Door (Side).....	1
17	01-1P1383-00003	Conduit - Wire (Standard).....	1
18	01-1P1383-00004	Conduit - Wire (COSTCO).....	1
19	01-1P1485-00002	Clamp - Wire Tube (Door).....	1
20	01-1P2453-00001	Magnet Assy. (Door).....	1
21	01-1P2343-00001	Gasket - Center Door.....	1
22	01-1P2366-00001	Trim - Jamb (Front) (LH).....	AR
23	01-1P2018-00002	Angle - Retainer.....	2
24	01-1P2366-00002	Trim - Jamb (Front) (RH).....	AR
25	01-1P1837-00011	Bumper - Door.....	1
26	01-1P1837-00004	Bumper - Door (PW3S).....	1
27	01-1P2344-00001	Sweep - Door Assy. (PW2E & RPW2E).....	1
28	01-1P2344-00002	Sweep - Door Assy. (PW2S & RPW2S).....	1
29	01-1P2344-00003	Sweep - Door Assy. (PW3S) (Standard & COSTCO).....	1
30	01-1P2681-00010	Door - Blank (PW2E & RPW2E).....	1
31	01-1P2683-00010	Door - Blank (PW2S & RPW2S) (Standard).....	1
32	01-1P2685-00002	Door - Blank (PW3S) (Standard).....	1
33	01-1P2683-00006	Door - Blank (PW2S & RPW2S Costco).....	1
34	01-1P2687-00002	Door - Blank (PW3S Costco).....	1
35	00-913047	Hinge Assy. (Incls. Bearing).....	4
36	01-1000V4-00119	Self-Tapping Screw 3/8-16 x 1-1/4 Phil. Flat Hd (4 Per Hinge).....	16
37	01-100V15-00064	Plug - Push-In (Black).....	16
38	01-1P2321-00032	Gasket - Door (Top) (Blank Door) (PW2E & RPW2E).....	1
39	01-1P2321-00034	Gasket - Door (Top) (Blank Door) (PW2S & RPW2S).....	1
40	01-1P2321-00035	Gasket - Door (Top) (Blank Door) (PW3S) (Standard & COSTCO).....	1
41	00-913102-00008	Kit - Gasket (Magnetic Door) (PW3S) (Incls. Items 40 & 42).....	1
42	01-100V16-0271C	Gasket - Door (Side).....	1
43	01-1P2483-00001	Kit, Lapstrip/Magnet - Door (Incls. Items 44 & 45).....	1
44	01-1P2002-00001	Strip - Door Lap.....	1
45	01-100V16-0271C	Gasket - Door (Side).....	1

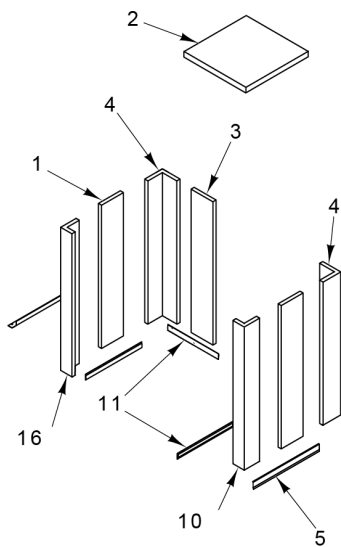
\* Used in Unused Hinge Mounting Holes



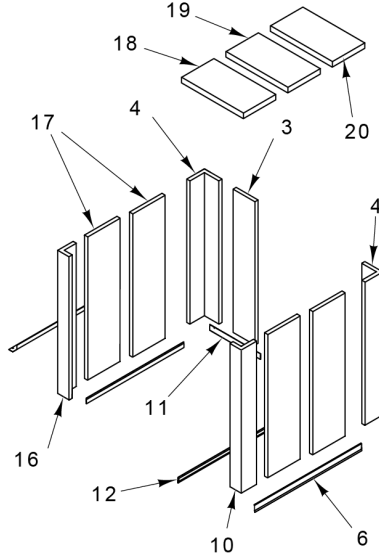
**LIGHT FIXTURE**

**LIGHT FIXTURE**

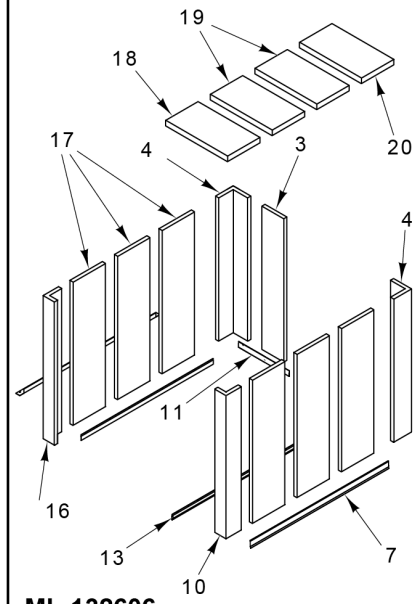
<b>ILLUS.</b>	<b>PART NO.</b>	<b>NAME OF PART</b>	<b>AMT.</b>
PL-62287			
1	01-100V11-00250	Conduit 1/2 x 4 In.....	1
2	01-1000V5-00387	Bushing - Snap.....	2
3	01-1000V4-00426	Screw #10-16 x 3/4 Hex Hd. (Drill Tip) (SST).....	AR
4	01-1P2966-00101	Cover - Voltage Driver.....	1
5	01-100V21-00092	Gasket - PVC-Extruded ("B" Shape).....	4
6	01-1P2968-00001	Plate - Light Mount.....	1
7	01-100V15-00067	Plug - Button 7/8 In.....	4
8	01-1P2967-00001	LED Light (Incls. Gasket & Voltage Driver).....	1
9	01-100V11-00251	Nut - Conduit.....	2
10	01-1P2966-00104	Washer - Conduit.....	2



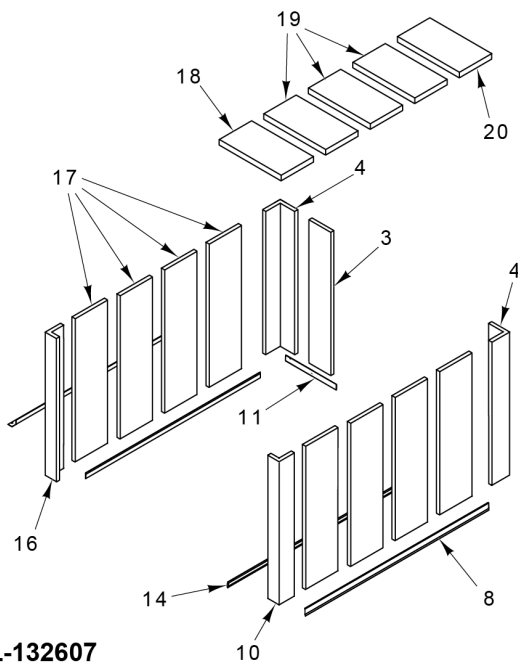
**ML-132604**



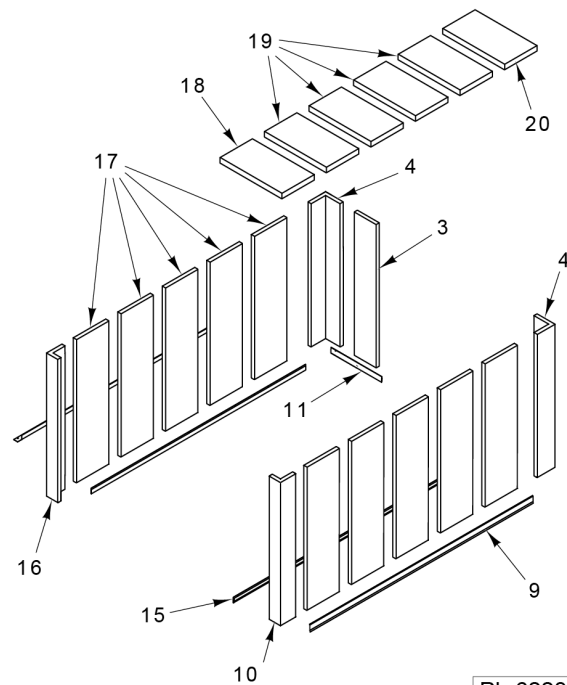
**ML-132605**



**ML-132606**



**ML-132607**



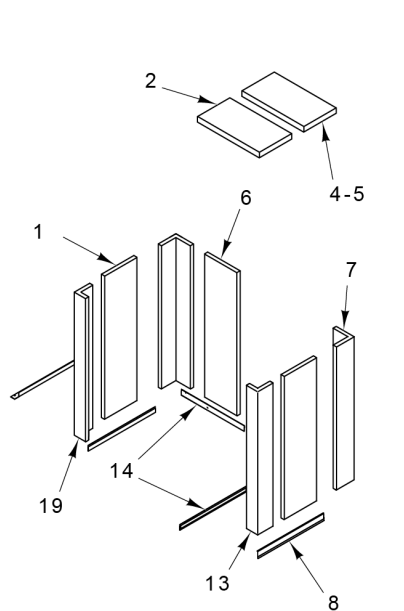
**ML-132608**

PL-62288

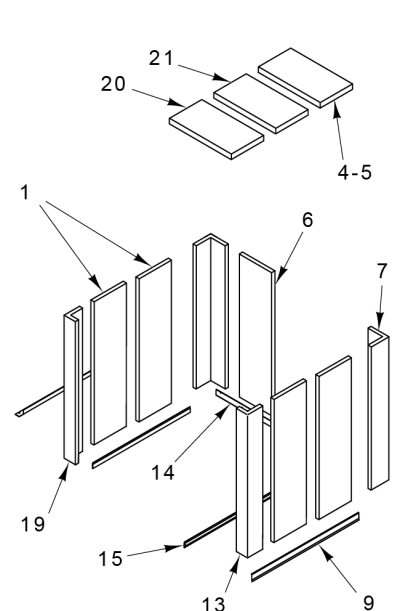
**WALLS AND CEILING (PW1E)**

**WALLS AND CEILINGS (PW1E)**

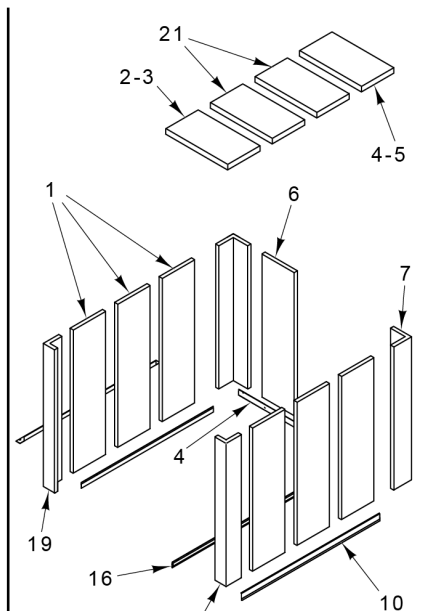
ILLUS.	PART NO.	NAME OF PART	AMT.
PL-62288			
1	01-1P2496-00002	Panel - Wall (13-1/2 In.) (Sides).....	AR
2	01-1P2499-00005	Panel - Ceiling.....	1
3	01-1P2496-00002	Panel - Wall (13-1/2 In.) (Rear).....	1
4	01-1P2493-00003	Corner - Rear.....	2
5	01-1P2364-00006	Trim - Outer Base (34 In.).....	2
6	01-1P2364-00002	Trim - Outer Base (60-1/2 In.).....	2
7	01-1P2364-00003	Trim - Outer Base (80-1/2 In.).....	2
8	01-1P2364-00004	Trim - Outer Base (100-1/2 In.).....	2
9	01-1P2364-00005	Trim - Outer Base (120-1/2 In.).....	2
10	01-1P2493-00001	Corner - Front (Right).....	1
11	01-1P2365-00006	Bracket - Floor Retainer Assy.....	AR
12	01-1P2365-00002	Bracket - Floor Retainer Assy.....	2
13	01-1P2365-00003	Bracket - Floor Retainer Assy.....	2
14	01-1P2365-00004	Bracket - Floor Retainer Assy.....	2
15	01-1P2365-00005	Bracket - Floor Retainer Assy.....	2
16	01-1P2493-00002	Corner - Front (Left).....	1
17	01-1P2496-00001	Panel - Wall (20 In.).....	AR
18	01-1P2499-00001	Panel - Ceiling Front.....	1
19	01-1P2499-00003	Panel - Ceiling Filler.....	AR
20	01-1P2499-00002	Panel - Ceiling Rear.....	1



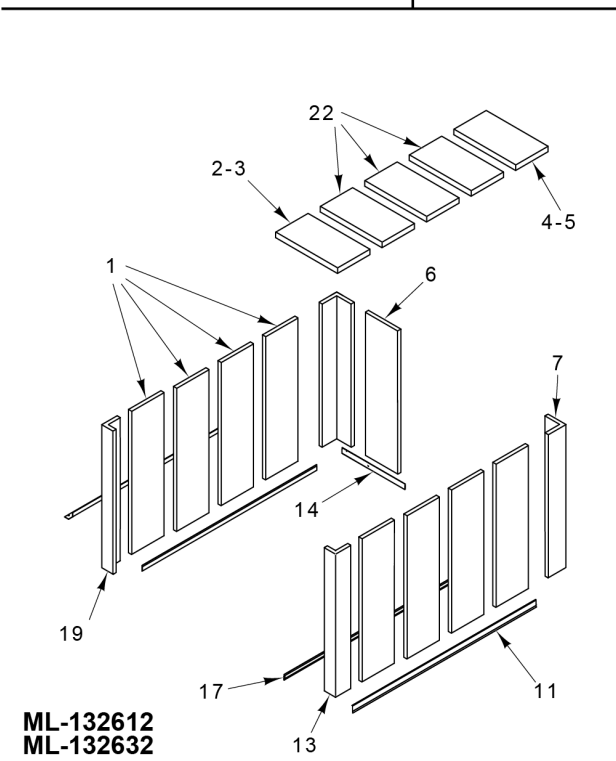
**ML-132609**  
**ML-132629**



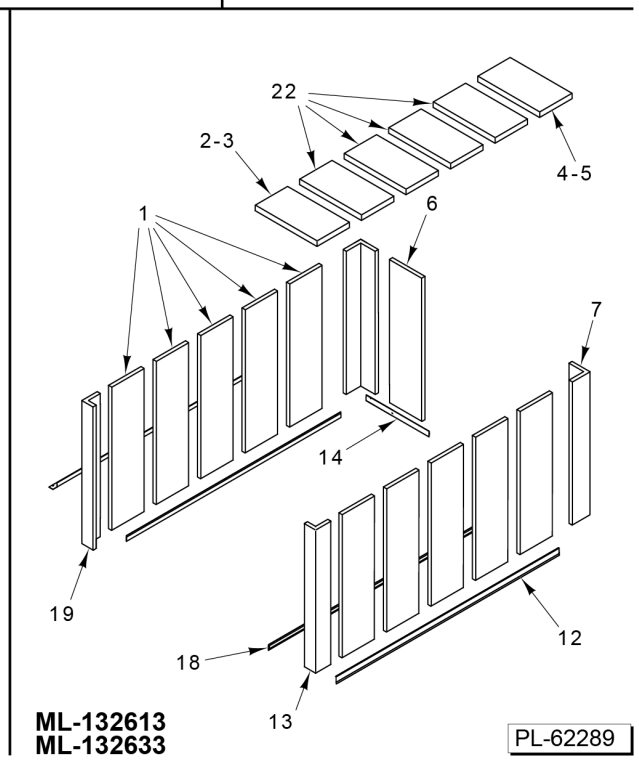
**ML-132610**  
**ML-132630**



**ML-132611**  
**ML-132631**



**ML-132612**  
**ML-132632**



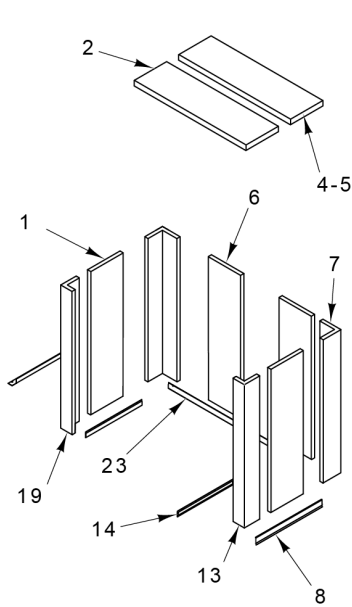
**ML-132613**  
**ML-132633**

PL-62289

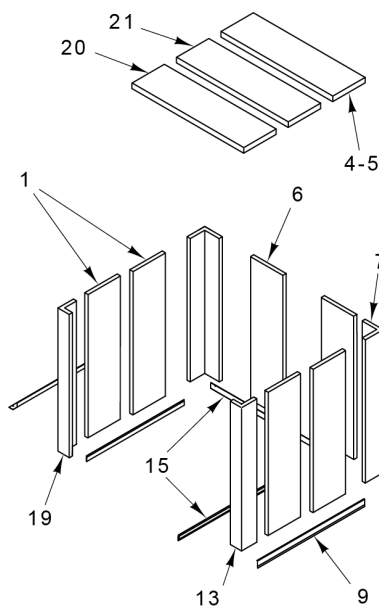
**WALLS AND CEILINGS**  
**(PW1S AND RPW1S)**

**WALLS AND CEILINGS  
(PW1S AND RPW1S)**

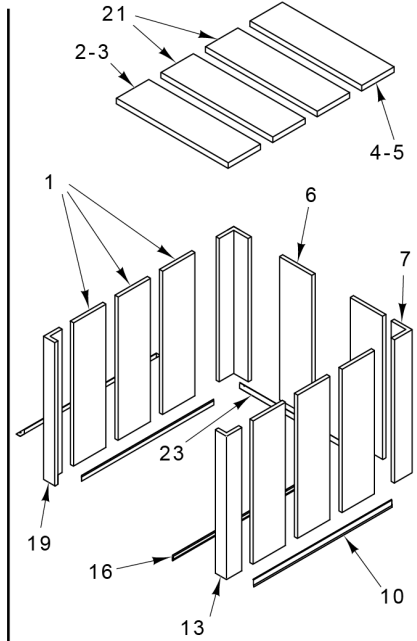
ILLUS.	PART NO.	NAME OF PART	AMT.
PL-62289			
1	01-1P2496-00001	Panel - Wall (20 In.) (Sides).....	AR
2	01-1P2502-00001	Panel - Ceiling Front (PW).....	1
3	01-1P2514-00005	Panel - Ceiling Front (RPW).....	1
4	01-1P2502-00002	Panel - Ceiling Rear (PW).....	1
5	01-1P2514-00001	Panel - Ceiling (RPW).....	1
6	01-1P2496-00001	Panel - Wall (20 In.) (Rear).....	1
7	01-1P2493-00003	Corner - Rear.....	2
8	01-1P2364-00001	Trim - Outer Base (40-1/2 In.).....	2
9	01-1P2364-00002	Trim - Outer Base (60-1/2 In.).....	2
10	01-1P2364-00003	Trim - Outer Base (80-1/2 In.).....	2
11	01-1P2364-00004	Trim - Outer Base (100-1/2 In.).....	2
12	01-1P2364-00005	Trim - Outer Base (120-1/2 In.).....	2
13	01-1P2493-00001	Corner - Front (Right).....	1
14	01-1P2365-00001	Bracket - Floor Retainer Assy. (40-1/2 Sides and Rear).....	AR
15	01-1P2365-00002	Bracket - Floor Retainer Assy. (60-1/2 Sides).....	2
16	01-1P2365-00003	Bracket - Floor Retainer Assy. (80-1/2 Sides).....	2
17	01-1P2365-00004	Bracket - Floor Retainer Assy. (100-1/2 Sides).....	2
18	01-1P2365-00005	Bracket - Floor Retainer Assy. (120-1/2 Sides).....	2
19	01-1P2493-00002	Corner - Front (Left).....	1
20	01-1P2502-00001	Panel - Ceiling Front (PW & RPW).....	1
21	01-1P2502-00003	Panel - Ceiling Filler (PW).....	AR
22	01-1P2502-00003	Panel - Ceiling Filler (PW & RPW).....	AR



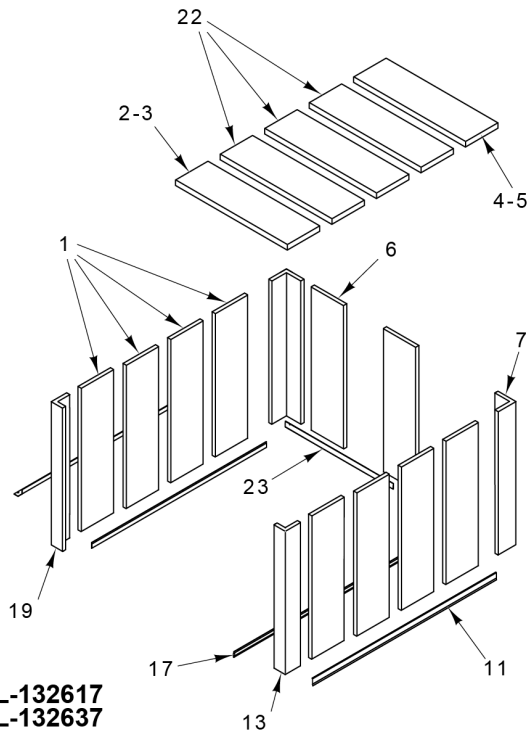
**ML-132614**  
**ML-132634**



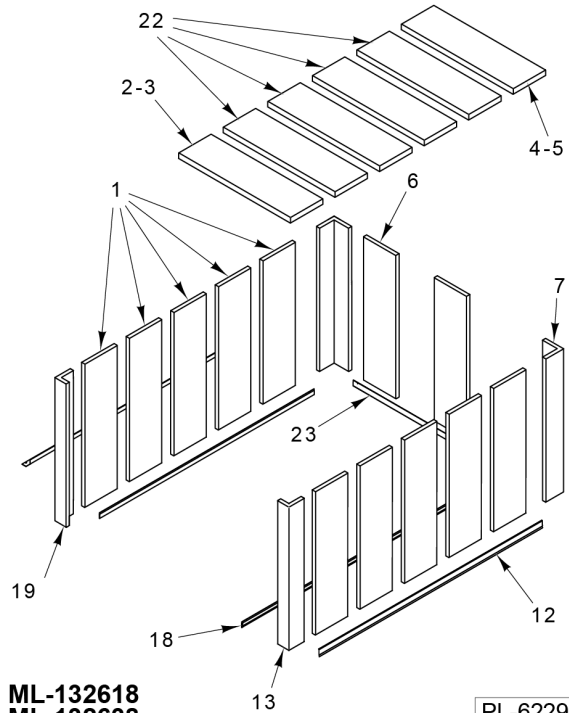
**ML-132615**  
**ML-132635**



**ML-132616**  
**ML-132636**



**ML-132617**  
**ML-132637**



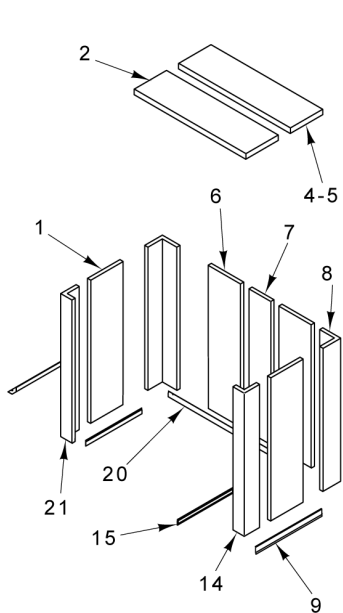
**ML-132618**  
**ML-132638**

PL-62290

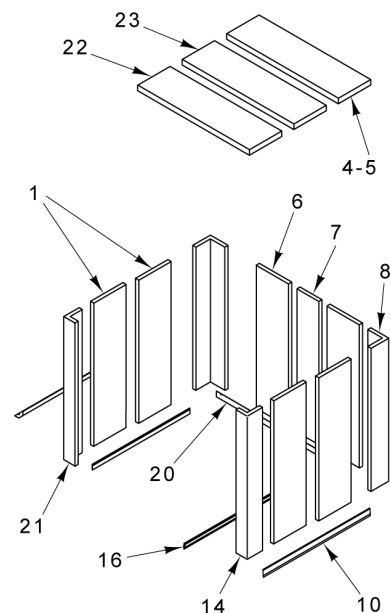
**WALLS AND CEILINGS**  
**(PW2E AND RPW2E)**

**WALLS AND CEILINGS  
(PW2E AND RPW2E)**

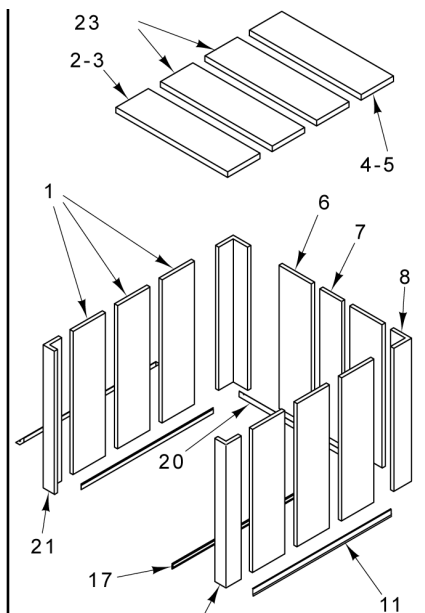
ILLUS.	PART NO.	NAME OF PART	AMT.
PL-62290			
1	01-1P2496-00001	Panel - Wall (20 In.) (Sides).....	AR
2	01-1P2505-00001	Panel - Ceiling Front (PW).....	1
3	01-1P2515-00005	Panel - Ceiling Front (PW).....	1
4	01-1P2505-00002	Panel - Ceiling Rear (PW).....	1
5	01-1P2515-00001	Panel - Ceiling (RPW).....	1
6	01-1P2496-00001	Panel - Wall (20 In.) (Rear).....	2
7	01-1P2493-00003	Corner - Rear.....	2
8	01-1P2364-00001	Trim - Outer Base (40-1/2 In.).....	2
9	01-1P2364-00002	Trim - Outer Base (60-1/2 In.).....	2
10	01-1P2364-00003	Trim - Outer Base (80-1/2 In.).....	2
11	01-1P2364-00004	Trim - Outer Base (100-1/2 In.).....	2
12	01-1P2364-00005	Trim - Outer Base (120-1/2 In.).....	2
13	01-1P2493-00001	Corner - Front (Right).....	1
14	01-1P2365-00001	Bracket - Floor Retainer Assy. (40-1/2 Sides).....	2
15	01-1P2365-00002	Bracket - Floor Retainer Assy. (60-1/2 Sides and Rear).....	AR
16	01-1P2365-00003	Bracket - Floor Retainer Assy. (80-1/2 Sides).....	2
17	01-1P2365-00004	Bracket - Floor Retainer Assy. (100-1/2 Sides).....	2
18	01-1P2365-00005	Bracket - Floor Retainer Assy. (120-1/2 Sides).....	2
19	01-1P2493-00002	Corner - Front (Left).....	1
20	01-1P2505-00001	Panel - Ceiling Front (PW & RPW).....	1
21	01-1P2505-00003	Panel - Ceiling Filler (PW).....	AR
22	01-1P2505-00003	Panel - Ceiling Filler (PW & RPW).....	AR



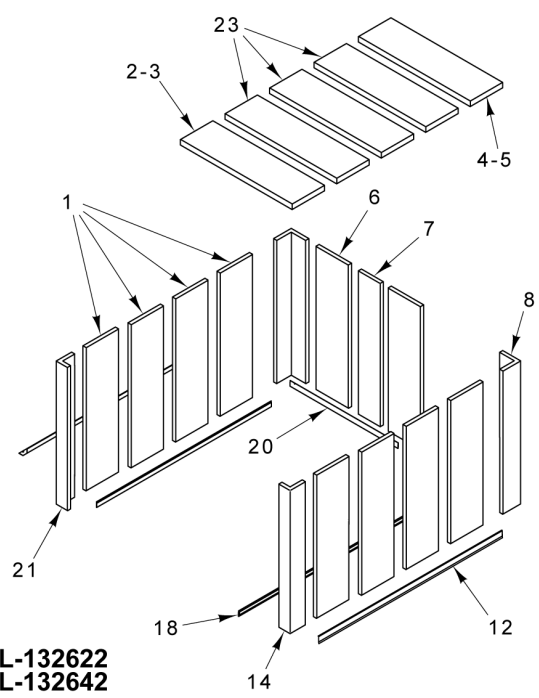
**ML-132619  
ML-132639**



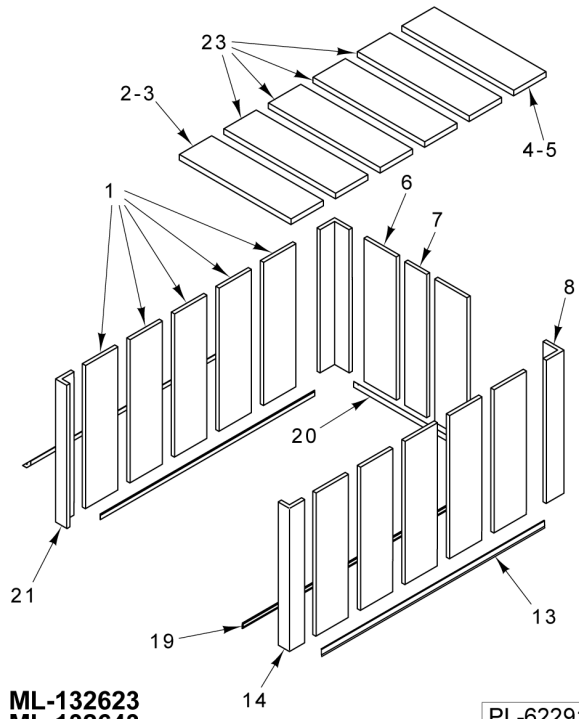
**ML-132620  
ML-132640**



**ML-132621  
ML-132641**



**ML-132622  
ML-132642**



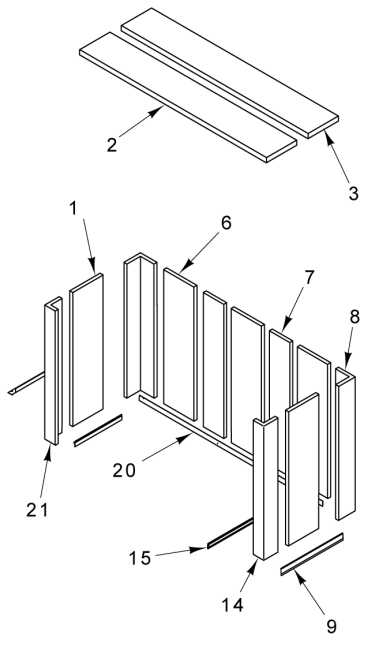
**ML-132623  
ML-132643**

**PL-62291**

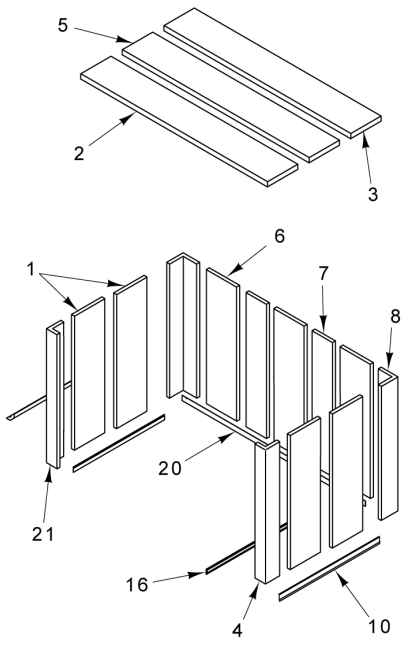
**WALLS AND CEILING  
(PW2S AND RPW2S)**

**WALLS AND CEILINGS  
(PW2S AND RPW2S)**

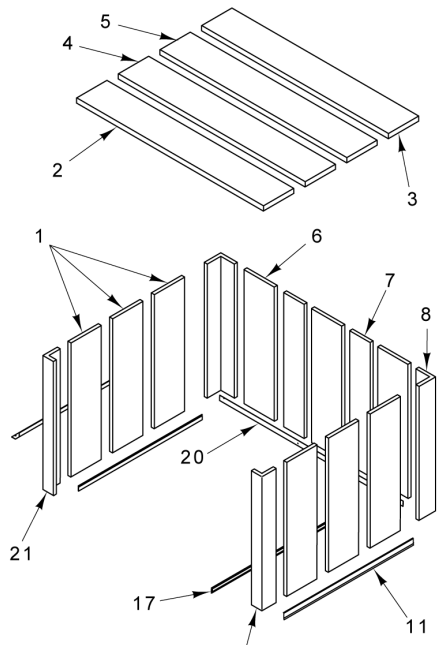
ILLUS.	PART NO.	NAME OF PART	AMT.
PL-62291			
1	01-1P2496-00001	Panel - Wall (20 In.) (Sides).....	AR
2	01-1P2508-00001	Panel - Ceiling Front (PW) .....	1
3	01-1P2516-00005	Panel - Ceiling Front (RPW) .....	1
4	01-1P2508-00002	Panel - Ceiling Rear (PW) .....	1
5	01-1P2516-00001	Panel - Ceiling (RPW).....	1
6	01-1P2496-00001	Panel - Wall (20 In.) (Rear).....	2
7	01-1P2496-00002	Panel - Wall (13-1/2 In.) (Rear).....	1
8	01-1P2493-00003	Corner - Rear.....	2
9	01-1P2364-00001	Trim - Outer Base (40-1/2 In.).....	2
10	01-1P2364-00002	Trim - Outer Base (60-1/2 In.).....	2
11	01-1P2364-00003	Trim - Outer Base (80-1/2 In.).....	2
12	01-1P2364-00004	Trim - Outer Base (100-1/2 In.).....	2
13	01-1P2364-00005	Trim - Outer Base (120-1/2 In.).....	2
14	01-1P2493-00001	Corner - Front (Right).....	1
15	01-1P2365-00001	Bracket - Floor Retainer Assy. (40-1/2 Sides).....	2
16	01-1P2365-00002	Bracket - Floor Retainer Assy. (60-1/2 Sides).....	2
17	01-1P2365-00003	Bracket - Floor Retainer Assy. (80-1/2 Sides).....	2
18	01-1P2365-00004	Bracket - Floor Retainer Assy. (100-1/2 Sides).....	2
19	01-1P2365-00005	Bracket - Floor Retainer Assy. (120-1/2 Sides).....	2
20	01-1P2365-00007	Bracket - Floor Retainer Assy. (All Rear).....	1
21	01-1P2493-00002	Corner - Front (Left).....	1
22	01-1P2508-00001	Panel - Ceiling Front (PW & RPW).....	1
23	01-1P2508-00003	Panel - Ceiling Filler.....	AR



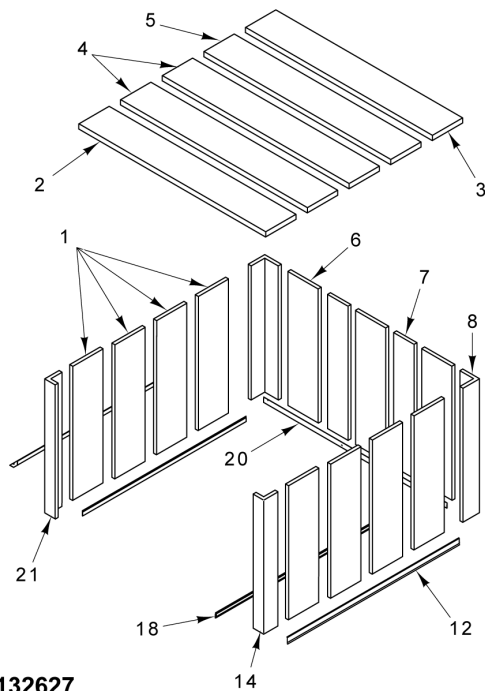
**ML-132624**



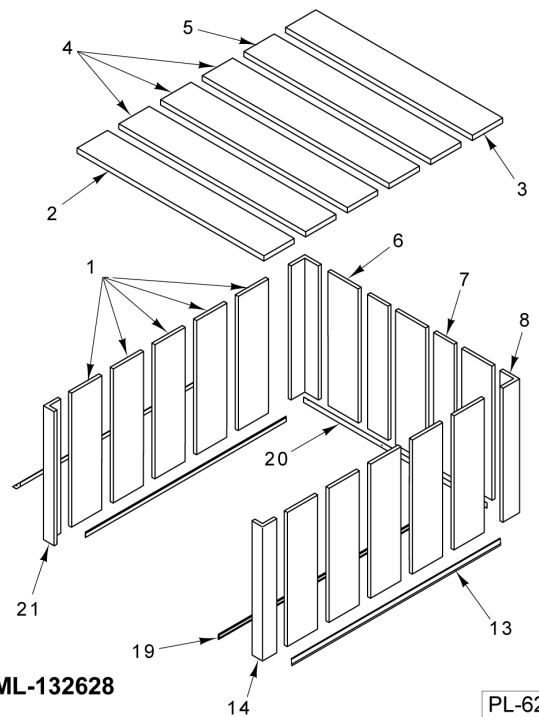
**ML-132625**



**ML-132626**



**ML-132627**



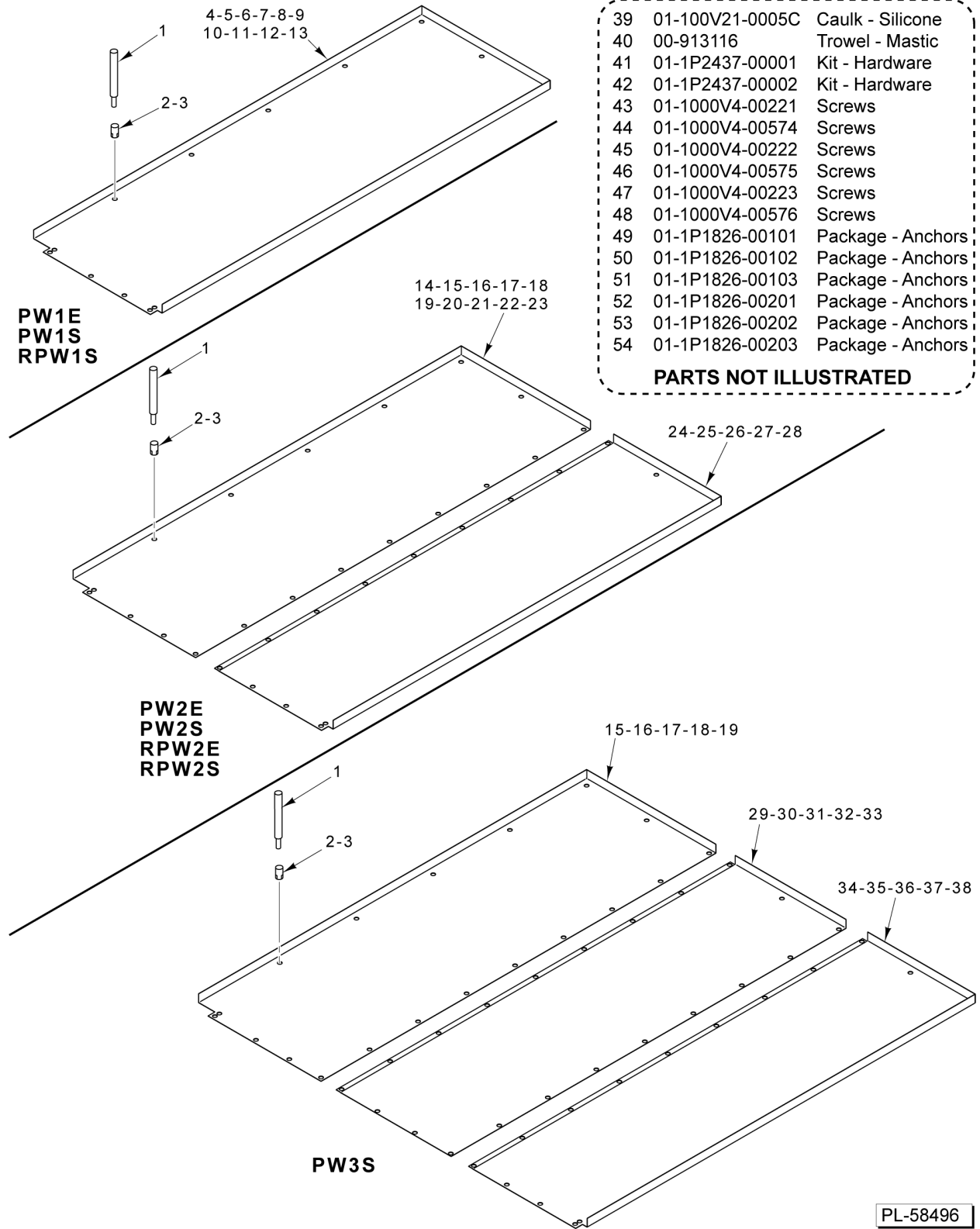
**ML-132628**

**PL-62292**

**WALLS AND CEILINGS (PW3S)**

**WALLS AND CEILINGS (PW3S)**

ILLUS.	PART NO.	NAME OF PART	AMT.
PL-62292			
1	01-1P2496-00001	Panel - Wall (20 In.) (Sides).....	AR
2	01-1P2511-00001	Panel - Ceiling Front.....	1
3	01-1P2511-00002	Panel - Ceiling Rear.....	1
4	01-1P2511-00007	Panel, Ceiling - Blank Filler.....	AR
5	01-1P2511-00006	Panel, Ceiling - Rear Filler.....	1
6	01-1P2496-00001	Panel - Wall (20 In.) (Rear).....	3
7	01-1P2496-00002	Panel - Wall (13-1/2 In.) (Rear).....	2
8	01-1P2493-00003	Corner - Rear.....	2
9	01-1P2364-00001	Trim - Outer Base (40-1/2 In.).....	2
10	01-1P2364-00002	Trim - Outer Base (60-1/2 In.).....	2
11	01-1P2364-00003	Trim - Outer Base (80-1/2 In.).....	2
12	01-1P2364-00004	Trim - Outer Base (100-1/2 In.).....	2
13	01-1P2364-00005	Trim - Outer Base (120-1/2 In.).....	2
14	01-1P2493-00004	Corner - Front (Right).....	1
15	01-1P2365-00001	Bracket - Floor Retainer Assy. (40-1/2 Sides).....	2
16	01-1P2365-00002	Bracket - Floor Retainer Assy. (60-1/2 Sides).....	2
17	01-1P2365-00003	Bracket - Floor Retainer Assy. (80-1/2 Sides).....	2
18	01-1P2365-00004	Bracket - Floor Retainer Assy. (100-1/2 Sides).....	2
19	01-1P2365-00005	Bracket - Floor Retainer Assy. (120-1/2 Sides).....	2
20	01-1P2365-00008	Bracket - Floor Retainer Assy. (All Rear).....	1
21	01-1P2493-00007	Corner - Front (Left).....	1

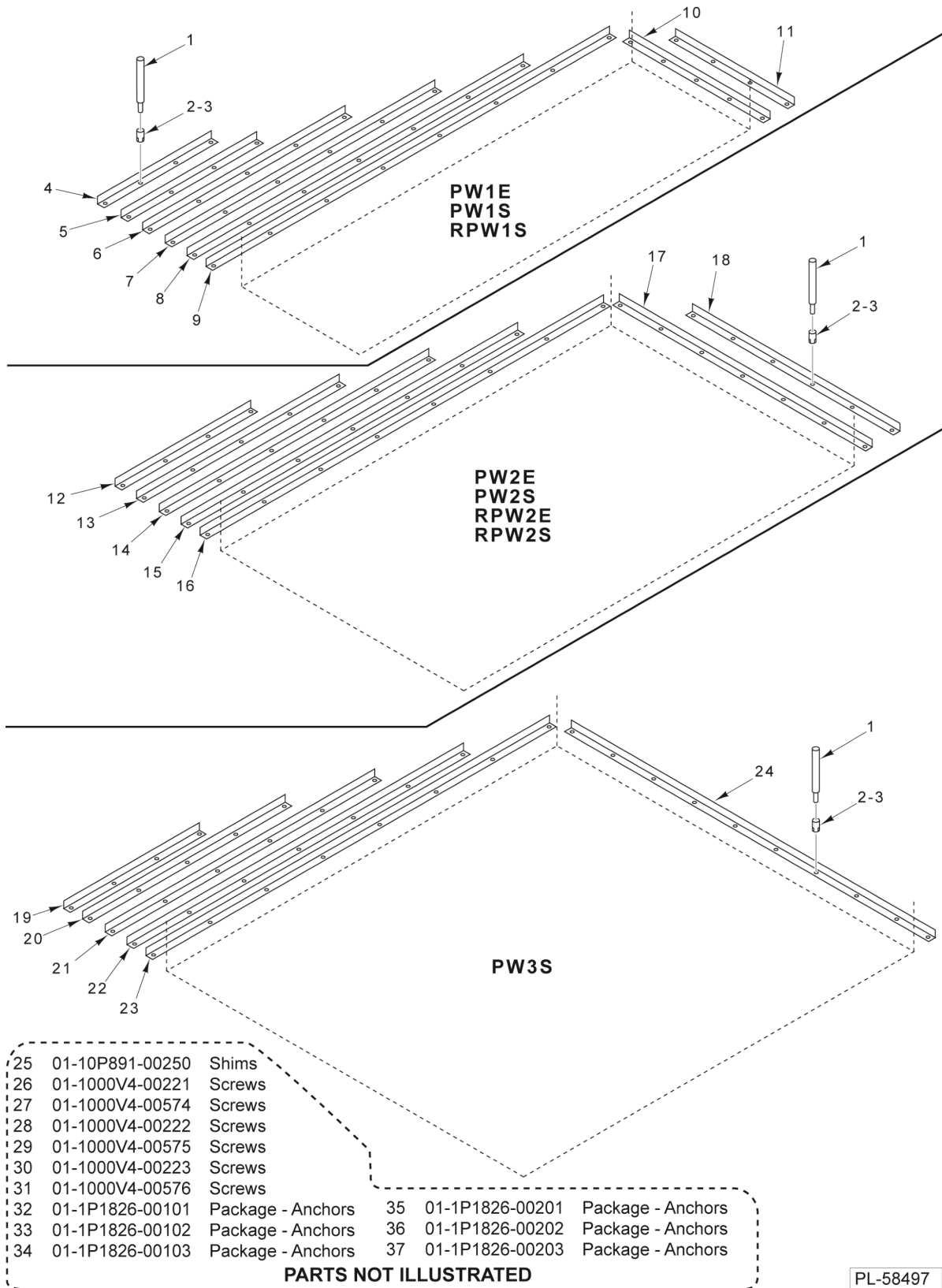


**FLOOR SECTIONS**

**FLOOR SECTIONS**

ILLUS.	PART NO.	NAME OF PART	AMT.
PL-62293			
1	01-1000V4-0073A	Tool - Setting.....	1
2	01-1000V4-00073	Anchor - Drop-In 1/4-20.....	AR
*3	01-1000V4-00573	Anchor - Drop -In 1/4-20 (Stainless Steel).....	AR
4	01-1P2369-00040	Floor - Single (ML-132604) (PW1E) (34 Deep).....	1
5	01-1P2370-00040	Floor - Single (ML-132609, & ML-132629) (PW1S, RPW1S).....	1
6	01-1P2369-00060	Floor - Single (ML-132605) (PW1E).....	1
7	01-1P2370-00060	Floor - Single (ML-132610, & ML-132630) (PW1S, RPW1S).....	1
8	01-1P2369-00080	Floor - Single (ML-132606) (PW1E).....	1
9	01-1P2370-00080	Floor - Single (ML-132611, & ML-132631) (PW1S, RPW1S).....	1
10	01-1P2369-00100	Floor - Single (ML-132607) (PW1E).....	1
11	01-1P2370-00100	Floor - Single (ML-132612, & ML-132632) (PW1S, RPW1S).....	1
12	01-1P2369-00120	Floor - Single (ML-132608) (PW1E).....	1
13	01-1P2370-00120	Floor - Single (ML-132613, & ML-132633) (PW1S, RPW1S).....	1
14	01-1P2371-0040L	Floor - Left (ML-132614, & ML-132634) (PW2E, RPW2E).....	1
15	01-1P2372-0040L	Floor - Left (ML-132619, ML-132639, & ML-132624) (PW2S, RPW2S, PW3S).....	1
16	01-1P2372-0060L	Floor - Left (ML-132620, ML-132640, & ML-132625) (PW2S, RPW2S, PW3S).....	1
17	01-1P2372-0080L	Floor - Left (ML-132621, ML-132641, & ML-132626) (PW2S, RPW2S, PW3S).....	1
18	01-1P2372-0100L	Floor - Left (ML-132622, ML-132642, & ML-132627) (PW2S, RPW2S, PW3S).....	1
19	01-1P2372-0120L	Floor - Left (ML-132623, ML-132643, & ML-132628) (PW2S, RPW2S, PW3S).....	1
20	01-1P2371-0060L	Floor - Left (ML-132615, & ML-132635) (PW2E, RPW2E).....	1
21	01-1P2371-0080L	Floor - Left (ML-132616, & ML-132636) (PW2E, RPW2E).....	1
22	01-1P2371-0100L	Floor - Left (ML-132617, & ML-132637) (PW2E, RPW2E).....	1
23	01-1P2371-0120L	Floor - Left (ML-132618, & ML-132638) (PW2E, RPW2E).....	1
24	01-1P2371-0040R	Floor - Right (ML-132614, ML-132634, ML-132619, & ML-132639) (PW2E, PW2S, RPW2E, RPW2S).....	1
25	01-1P2371-0060R	Floor - Right (ML-132615, ML-132635, ML-132620, & ML-132640) (PW2E, PW2S, RPW2E, RPW2S).....	1
26	01-1P2371-0080R	Floor - Right (ML-132616, ML-132636, ML-132621, & ML-132641) (PW2E, PW2S, RPW2E, RPW2S).....	1
27	01-1P2371-0100R	Floor - Right (ML-132617, ML-132637, ML-132622, & ML-132642) (PW2E, PW2S, RPW2E, RPW2S).....	1
28	01-1P2371-0120R	Floor - Right (ML-132618, ML-132638, ML-132623, & ML-132643) (PW2E, PW2S, RPW2E, RPW2S).....	1
29	01-1P2373-0040C	Floor - Center (ML-132624) (PW3S).....	1
30	01-1P2373-0060C	Floor - Center (ML-132625) (PW3S).....	1
31	01-1P2373-0080C	Floor - Center (ML-132626) (PW3S).....	1
32	01-1P2373-0100C	Floor - Cneter (ML-132627) (PW3S).....	1
33	01-1P2373-0120C	Floor - Center (ML-132628) (PW3S).....	1
34	01-1P2373-0040R	Floor - Right (ML-132624) (PW3S).....	1
35	01-1P2373-0060R	Floor - Right (ML-132625) (PW3S).....	1
36	01-1P2373-0080R	Floor - Right (ML-132626) (PW3S).....	1
37	01-1P2373-0100R	Floor - Right (ML-132627) (PW3S).....	1
38	01-1P2373-0120R	Floor - Right (ML-132628) (PW3S).....	1
39	01-100V21-0005A	Caulk - Silicone (Alum).....	AR
40	00-913116	NLA - Trowel.....	AR
41	01-1P2437-00001	Kit - Hardware (Starter Depth) (34 & 40 Deep).....	1
42	01-1P2437-00002	Kit - Hardware (Add a Depth) (1 per each addition depth for 60, 80, 100, & 120).....	1
43	01-1000V4-00221	Mach. Screw 1/4-20 x 1/2 Phil. Flat Hd. (SST).....	AR
*44	01-1000V4-00574	Mach. Screw 1/4-20 x 1/2 (Stainless Steel).....	AR
45	01-1000V4-00222	Mach. Screw 1/4-20 x 3/4 Phil. Flat Hd. (SST).....	AR
*46	01-1000V4-00575	Mach. Screw 1/4-20 x 3/4 (Stainless Steel).....	AR
47	01-1000V4-00223	Mach. Screw 1/4-20 x 1 Phil. Flat Hd. (SST).....	AR
*48	01-1000V4-00576	Mach. Screw 1/4-20 x 1.0 (Stainless Steel).....	AR
49	01-1P1826-00101	Anchor - Floor (Package) (Incls. Items 2, 48, 50, 52 - 3 Ea.).....	AR
50	01-1P1826-00102	Anchor - Floor (Package) (Incls. Items 2, 48, 50, 52 - 5 Ea.).....	AR
51	01-1P1826-00103	Anchor - Floor (Package) (Incls. Items 2, 48, 50, 52 - 10 Ea.).....	AR
*52	01-1P1826-00201	Package - Floor Anchors (Incls. Items 3, 49, 51, 53 - 3 Ea.).....	AR
*53	01-1P1826-00202	Package - Floor Anchors (Incls. Items 3, 49, 51, 53 - 5 Ea.).....	AR
*54	01-1P1826-00203	Package - Floor Anchors (Incls. Items 3, 49, 51, 53 - 10 Ea.).....	AR

\* Costco SEF Units Only



**WALL ANGLES  
(WITHOUT FLOOR SECTIONS)**

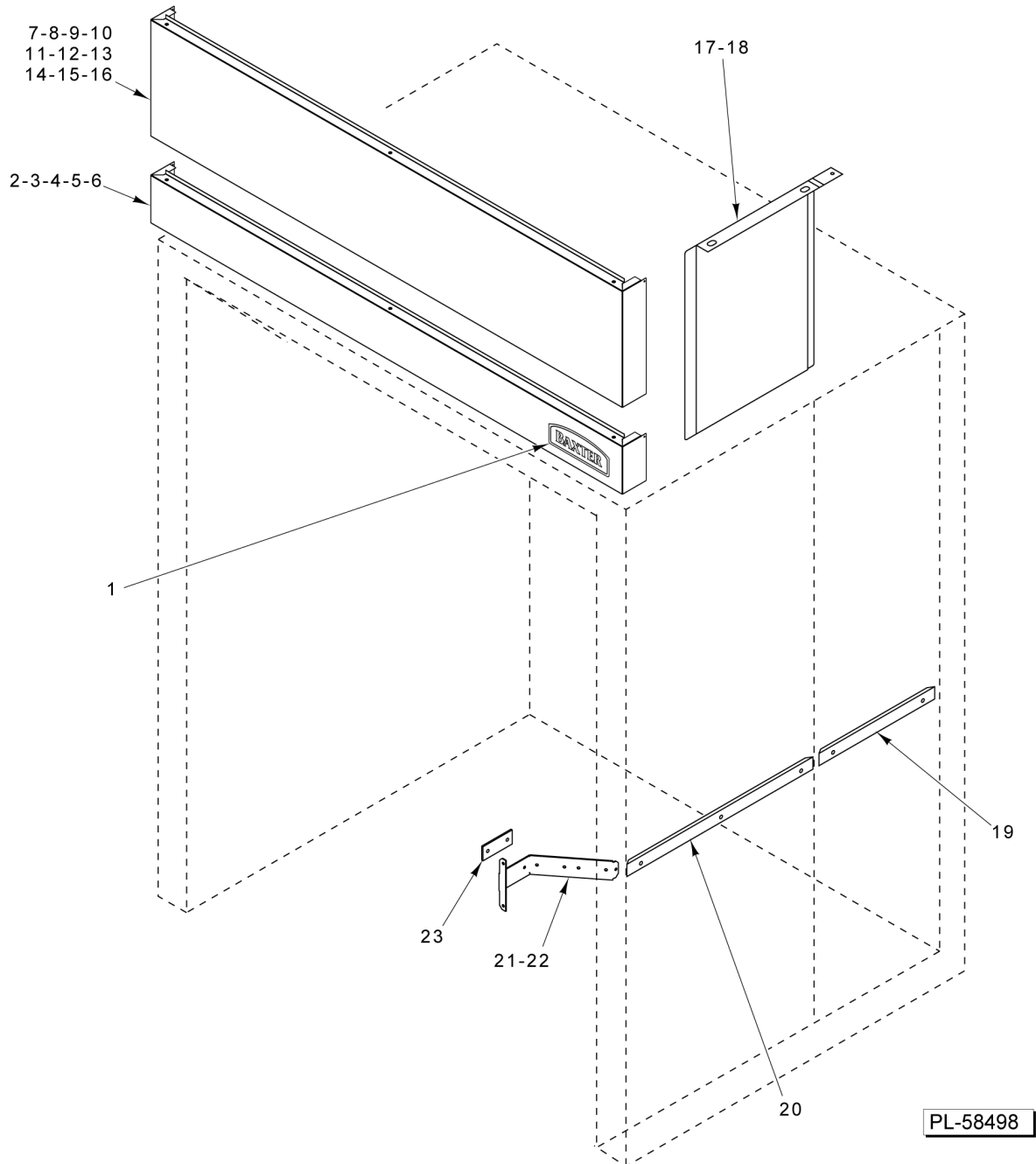
**WALL ANGLES  
(WITHOUT FLOOR SECTIONS)**

ILLUS. PL-58497	PART NO.	NAME OF PART	AMT.
1	01-1000V4-0073A	Tool - Setting.....	1
2	01-1000V4-00073	Anchor - Drop-In 1/4-20.....	AR
*3	01-1000V4-00573	Anchor - Drop -In 1/4-20 (Stainless Steel).....	AR
4	01-1P2367-00006	Angle - Floor (34 In.).....	2
5	01-1P2367-00001	Angle - Floor Side (40-1/2 In.).....	2
6	01-1P2367-00002	Angle - Floor Side (60-1/2 In.).....	2
7	01-1P2367-00003	Angle - Floor Side (80-1/2 In.).....	2
8	01-1P2367-00004	Angle - Floor Side (100-1/2 In.).....	2
9	01-1P2367-00005	Angle - Floor Side (120-1/2 In.).....	2
10	01-1P2368-00001	Angle - Floor Rear (35 1/2 In.) (PW1E).....	1
11	01-1P2368-00002	Angle - Floor Rear (42 In.) (PW1S & RPW1S).....	1
12	01-1P2367-00001	Angle - Floor Side (40-1/2 In.).....	2
13	01-1P2367-00002	Angle - Floor Side (60-1/2 In.).....	2
14	01-1P2367-00003	Angle - Floor Side (80-1/2 In.).....	2
15	01-1P2367-00004	Angle - Floor Side (100-1/2 In.).....	2
16	01-1P2367-00005	Angle - Floor Side (120-1/2 In.).....	2
17	01-1P2368-00004	Angle - Floor Rear (70 1/2 In.) (PW2S & RPW2S).....	1
18	01-1P2368-00003	Angle - Floor Rear (62 In.).....	1
19	01-1P2367-00001	Angle - Floor Side (40-1/2 In.).....	2
20	01-1P2367-00002	Angle - Floor Side (60-1/2 In.).....	2
21	01-1P2367-00003	Angle - Floor Side (80-1/2 In.).....	2
22	01-1P2367-00004	Angle - Floor Side (100-1/2 In.).....	2
23	01-1P2367-00005	Angle - Floor Side (120-1/2 In.).....	2
24	01-1P2368-00005	Angle - Floor Rear (109 In.) (PW3S).....	1
25	01-10P891-00250	Shims.....	AR
26	01-1000V4-00221	Mach. Screw 1/4-20 x 1/2 Phil. Flat Hd. (SST).....	AR
*27	01-1000V4-00574	Mach. Screw 1/4-20 x 1/2 (Stainless Steel).....	AR
28	01-1000V4-00222	Mach. Screw 1/4-20 x 3/4 Phil. Flat Hd. (SST).....	AR
*29	01-1000V4-00575	Mach. Screw 1/4-20 x 3/4 (Stainless Steel).....	AR
30	01-1000V4-00223	Mach. Screw 1/4-20 x 1 Phil. Flat Hd. (SST).....	AR
*31	01-1000V4-00576	Mach. Screw 1/4-20 x 1.0 (Stainless Steel).....	AR
32	01-1P1826-00101	Anchor - Floor (Package) (Incls. Items 2, 26, 28 & 30 - 3 Ea.).....	AR
33	01-1P1826-00102	Anchor - Floor (Package) (Incls. Items 2, 26, 28 & 30 - 5 Ea.).....	AR
34	01-1P1826-00103	Anchor - Floor (Package) (Incls. Items 2, 26, 28 & 30 - 10 Ea.).....	AR
*35	01-1P1826-00201	Package - Floor Anchors (Incls. Items 3, 27, 29 & 31 - 3 Ea.).....	AR
*36	01-1P1826-00202	Package - Floor Anchors (Incls. Items 3, 27, 29 & 31 - 5 Ea.).....	AR
*37	01-1P1826-00203	Package - Floor Anchors (Incls. Items 3, 27, 29 & 31 - 10 Ea.).....	AR

\* Costco SEF Units Only

24	00-513886-00003	Sealer (Clear)	32	01-1P2446-00005	Trim Package (99 x 120-1/2)
25	01-1P2366-00003	Trim - Rear Corner	33	01-1P2446-00006	Trim Package (99 x 34)
26	01-1P2528-00001	Ceiling Plugs	34	01-1P2446-00007	Trim Package (94 x 40-1/2)
27	01-100V15-00066	Plug - Plastic	35	01-1P2446-00008	Trim Package (94 x 60-1/2)
28	01-1P2446-00001	Trim Package (99 x 40-1/2)	36	01-1P2446-00009	Trim Package (94 x 80-1/2)
29	01-1P2446-00002	Trim Package (99 x 60-1/2)	37	01-1P2446-00010	Trim Package (94 x 100-1/2)
30	01-1P2446-00003	Trim Package (99 x 80-1/2)	38	01-1P2446-00011	Trim Package (94 x 120-1/2)
31	01-1P2446-00004	Trim Package (99 x 100-1/2)	39	01-1P2446-00012	Trim Package (94 x 34)

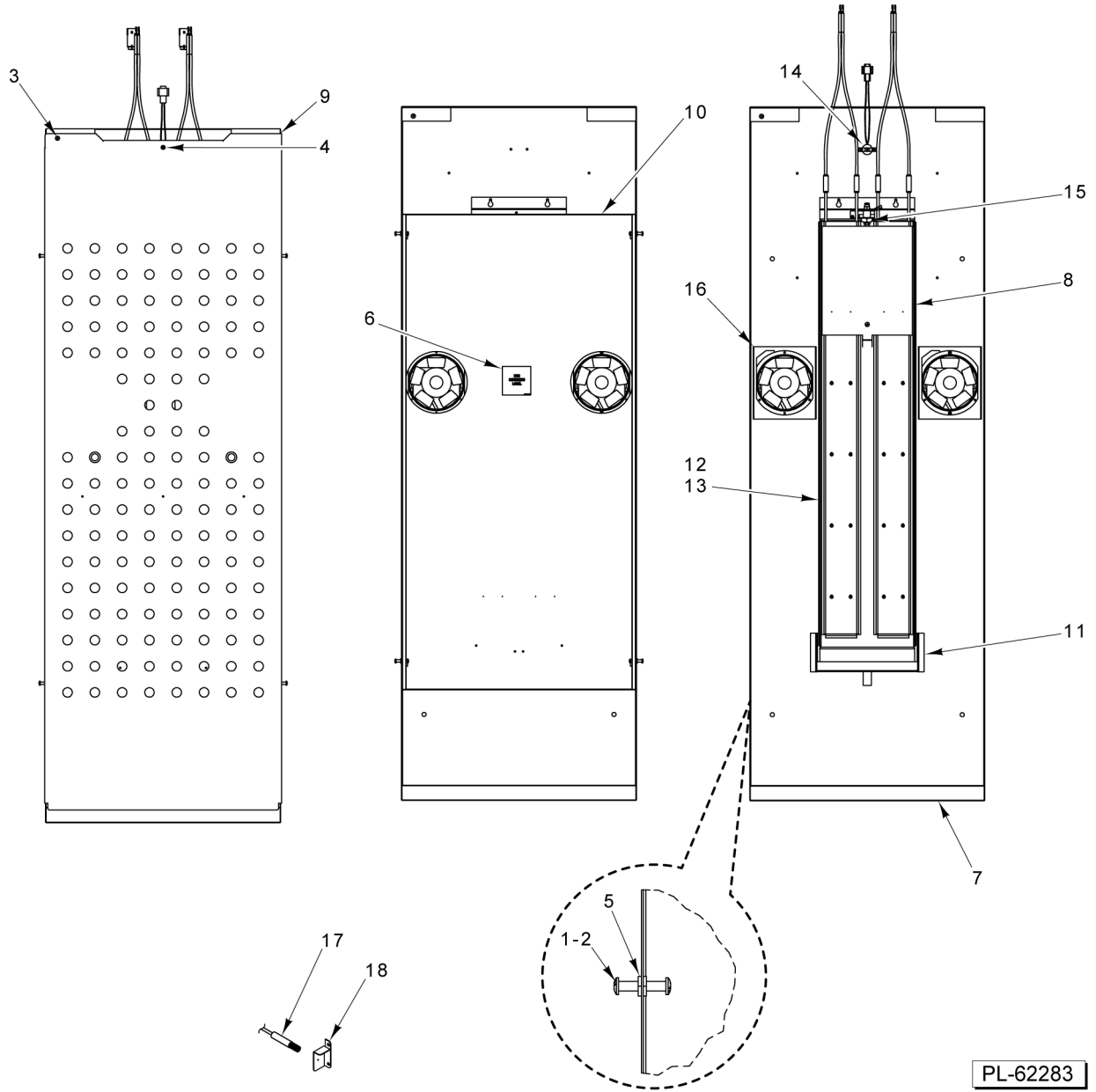
**PARTS NOT ILLUSTRATED**



**TRIM AND INTERIOR BUMPERS**

**TRIM AND INTERIOR BUMPERS**

ILLUS. PL-58498	PART NO.	NAME OF PART	AMT.
1	01-100V16-0772A	Nameplate - Baxter Flat (9 In.).....	1
2	01-1P2362-00001	Trim - Front Lower (PW1E).....	1
3	01-1P2362-00002	Trim - Front Lower (PW1S & RPW1S).....	1
4	01-1P2362-00003	Trim - Front Lower (PW2E & RPW2E).....	1
5	01-1P2362-00004	Trim - Front Lower (PW2S & RPW2S).....	1
6	01-1P2362-00005	Trim - Front Lower (PW3S).....	1
7	01-1P2375-00001	Trim - Front Upper (94 In. Height) (PW1E).....	1
8	01-1P2375-00002	Trim - Front Upper (94 In. Height) (PW1S & RPW1S).....	1
9	01-1P2375-00003	Trim - Front Upper (94 In. Height) (PW2E & RPW2E).....	1
10	01-1P2375-00004	Trim - Front Upper (94 In. Height) (PW2S & RPW2S).....	1
11	01-1P2375-00005	Trim - Front Upper (94 In. Height) (PW3S).....	1
12	01-1P2374-00001	Trim - Front Upper (99 In. Height) (PW1E).....	1
13	01-1P2374-00002	Trim - Front Upper (99 In. Height) (PW1S & RPW1S).....	1
14	01-1P2374-00003	Trim - Front Upper (99 In. Height) (PW2E & RPW2E).....	1
15	01-1P2374-00004	Trim - Front Upper (99 In. Height) (PW2S & RPW2S).....	1
16	01-1P2374-00005	Trim - Front (HPW3S) (99 In. Height) (PW3S).....	1
17	01-1P2376-00002	Retainer - Upper Forward Trim Assy. (94 In. Height).....	2
18	01-1P2376-00001	Retainer - Upper Forward Trim Assy. (99 In. Height).....	2
19	01-1P2326-00002	Bumper (13-1/2 In. Panel).....	AR
20	01-1P2326-00001	Bumper (20 In. Panel).....	AR
21	01-1P2327-00001	Bracket - Jamb Bumper (All Except PW3S).....	1
22	01-1P2327-00002	Bracket - Jamb Bumper (PW3S).....	1
23	01-1P2326-00003	Bumper (Jamb).....	AR
24	00-513886-00003	Sealer RTV 732 Clear 10.1 oz.....	AR
25	01-1P2366-00003	Trim - Rear Corner.....	2
26	01-1P2528-00001	Ceiling Plugs.....	AR
27	01-100V15-00066	Plug - Button 1/2 In. (Cam Lock Holes).....	AR
28	01-1P2446-00001	Trim Package (99 In. Height) (40-1/2 Depth).....	1
29	01-1P2446-00002	Trim Package (99 In. Height) (60-1/2 Depth).....	1
30	01-1P2446-00003	Trim Package (99 In. Height) (80-1/2 Depth).....	1
31	01-1P2446-00004	Trim Package (99 In. Height) (100-1/2 Depth).....	1
32	01-1P2446-00005	Trim Package (99 In. Height) (120-1/2 Depth).....	1
33	01-1P2446-00006	Trim Package (99 In. Height) (34 Depth).....	1
34	01-1P2446-00007	Trim Package (94 In. Height) (40-1/2 Depth).....	1
35	01-1P2446-00008	Trim Package (94 In. Height) (60-1/2 Depth).....	1
36	01-1P2446-00009	Trim Package (94 In. Height) (80-1/2 Depth).....	1
37	01-1P2446-00010	Trim Package (94 In. Height) (100-1/2 Depth).....	1
38	01-1P2446-00011	Trim Package (94 In. Height) (120-1/2 Depth).....	1
39	01-1P2446-00012	Trim Package (94 In. Height) (34 Depth).....	1



**STEAM ASSEMBLY**

**STEAM ASSEMBLY**

ILLUS.	PART NO.	NAME OF PART	AMT.
1	01-1000V4-00305	Nut - Barrel Truss Hd. #8-32.....	8
2	01-1000V4-00306	Mach. Screw #8-32 x 1/2 (SST).....	4
3	01-1000V4-00412	Mach. Screw 10-32 x 1/2 Phil. Truss Hd. (SST).....	1
4	01-1000V4-00431	Mach. Screw #10-32 x 1 (SST).....	1
5	01-1000V4-00670	Washer - Flat #8.....	8
6	01-100V16-0746B	Label (Fan Blade).....	1
7	01-1P2331-00001	Plate - Base Assy.....	1
8	01-1P2336-00001	Shield - Spray.....	1
9	01-1P2340-00001	Panel - Intake.....	1
10	01-1P2755-00001	Panel - Intermediate.....	1
11	01-1P3062-00001	Pan - Drain.....	1
12	01-1P3063-00001	Kit - Air Duct.....	1
13	01-1P2332-00002	Heater Assy. (Air Duct).....	1
14	01-1P2456-00001	Switch - High Limit Thermostat Assy.....	1
15	01-1P2462-00005	Sprayer Assy.....	1
16	01-1P2712-00001	Fan Assy.....	2
*17	01-1P2461-00001	Bracket - Humidity Sensor (Order W/ Item 18).....	1
*18	01-1P1875-00002	Sensor Assy. - Humidity W/Filter (Order W/ Item 17).....	1

\* Starting 08/01/2025, Both Bracket and Sensor Required

- 1 Kit - Drain (34 In.)
  - 2 Kit - Drain (40-1/2 In.)
  - 3 Kit - Drain (40-1/2 In.)
  - 4 Kit - Drain (60-1/2 In.)
  - 5 Kit - Drain (60-1/2 In.)
  - 6 Kit - Drain (60-1/2 In.)
  - 7 Kit - Drain (80-1/2 In.)
  - 8 Kit - Drain (80-1/2 In.)
  - 9 Kit - Drain (100-1/2 In.)
  - 10 Kit - Drain (100-1/2 In.)
  - 11 Kit - Drain (120 In.)
  - 12 Kit - Drain (120 In.)
  - 13 Kit - Drain (120 In.)
  - 14 Kit - Drain (40-1/2 In.)
  - 15 Kit - Drain (60-1/2 In.)
  - 16 Kit - Drain (60-1/2 In.)
  - 17 Kit - Drain (80-1/2 In.)
  - 18 Kit - Drain (100-1/2 In.)
  - 19 Kit - Drain (120 In.)
  - 20 Kit - Drain (120 In.)
- PARTS NOT ILLUSTRATED**

PL-62332

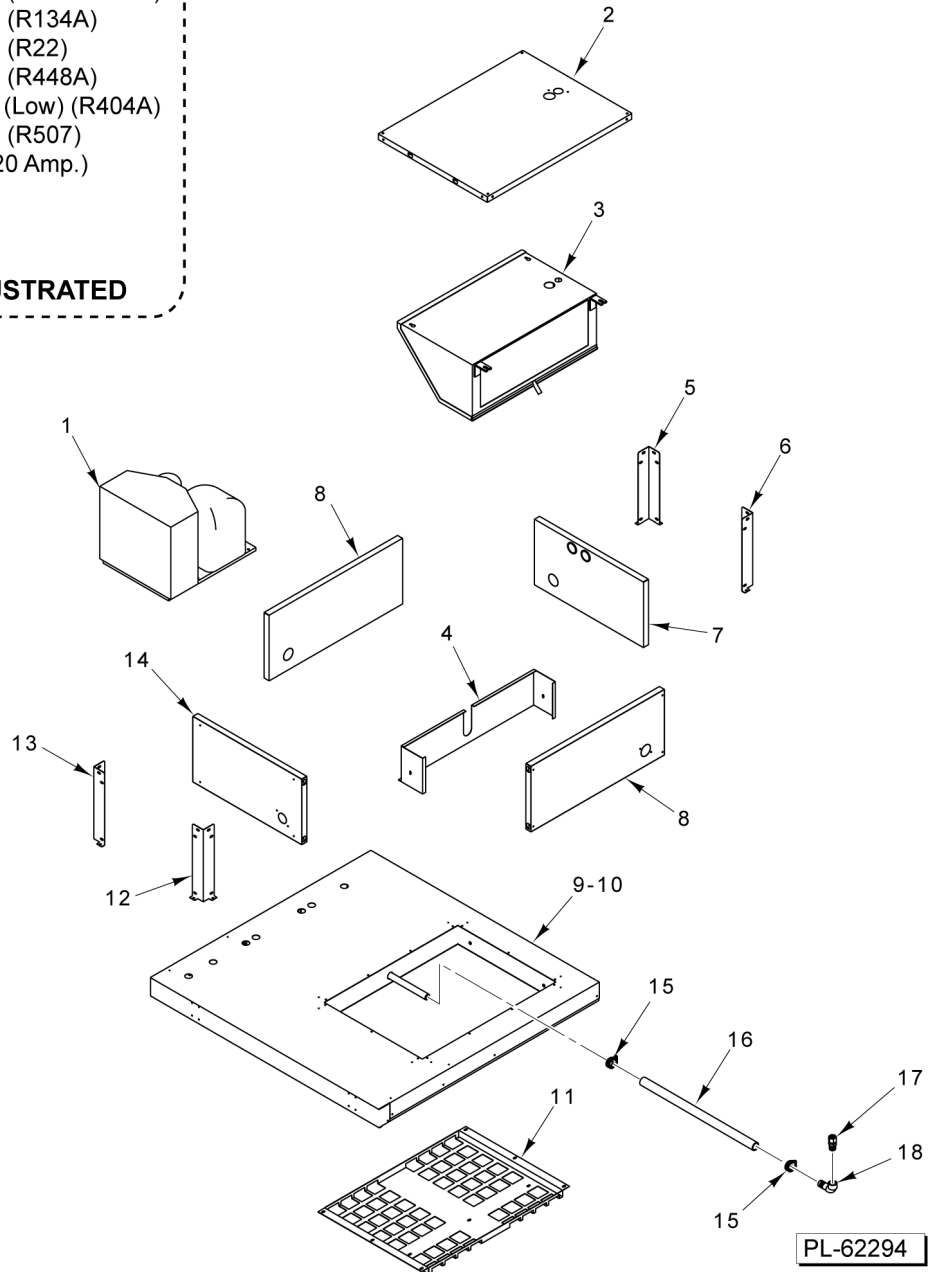
**DRAIN**

**DRAIN**

ILLUS. PL-62332	PART NO.	NAME OF PART	AMT.
1	01-1P3061-00001	Kit - Drain (34 In.) (ML-132604).....	1
2	01-1P3061-00002	Kit - Drain (40-1/2 In.) (ML-132609, ML-132619, ML-132614).....	1
3	01-1P3061-00003	Kit - Drain (40-1/2 In.) (ML-132624).....	1
4	01-1P3061-00004	Kit - Drain (60-1/2 In.) (ML-132610, ML-132605).....	1
5	01-1P3061-00005	Kit - Drain (60-1/2 In.) (ML-132620, ML-132615).....	1
6	01-1P3061-00006	Kit - Drain (60-1/2 In.) (ML-132625).....	1
7	01-1P3061-00007	Kit - Drain (80-1/2 In.) (ML-132611, ML-132621, ML-132606, ML-132616).....	1
8	01-1P3061-00008	Kit - Drain (80-1/2 In.) (ML-132626).....	1
9	01-1P3061-00009	Kit - Drain (100-1/2 In.) (ML-132612, ML-132622, ML-132607, ML-132617).....	1
10	01-1P3061-00010	Kit - Drain (100-1/2 In.) (ML-132627).....	1
11	01-1P3061-00011	Kit - Drain (120 In.) (ML-132613, ML-132628, ML-132618).....	1
12	01-1P3061-00012	Kit - Drain (120 In.) (ML-132623).....	1
13	01-1P3061-00013	Kit - Drain (120 In.) (ML-132628).....	1
14	01-1P3061-00014	Kit - Drain (40-1/2 In.) (ML-132629, ML-132639, ML-132634).....	1
15	01-1P3061-00015	Kit - Drain (60-1/2 In.) (ML-132634).....	1
16	01-1P3061-00016	Kit - Drain (60-1/2 In.) (ML-132640, ML-132635).....	1
17	01-1P3061-00017	Kit - Drain (80-1/2 In.) (ML-132631, ML-132641, ML-132636).....	1
18	01-1P3061-00018	Kit - Drain (100-1/2 In.) (ML-132632, ML-132642, ML-132637).....	1
19	01-1P3061-00019	Kit - Drain (120 In.) (ML-132633, ML-132638).....	1
20	01-1P3061-00020	Kit - Drain (120 In.) (ML-132643).....	1

- 19 Valve – Expansion (R502/R404A)
- 20 Valve – Expansion (R134A)
- 21 Valve – Expansion (R22)
- 22 Valve – Expansion (R448A)
- 23 Switch – Pressure (Low) (R404A)
- 24 Valve – Expansion (R507)
- 25 Breaker - Circuit (20 Amp.)
- 26 Relay (30 Amp.)
- 27 Coil - Solenoid
- 28 Valve - Solenoid

**PARTS NOT ILLUSTRATED**



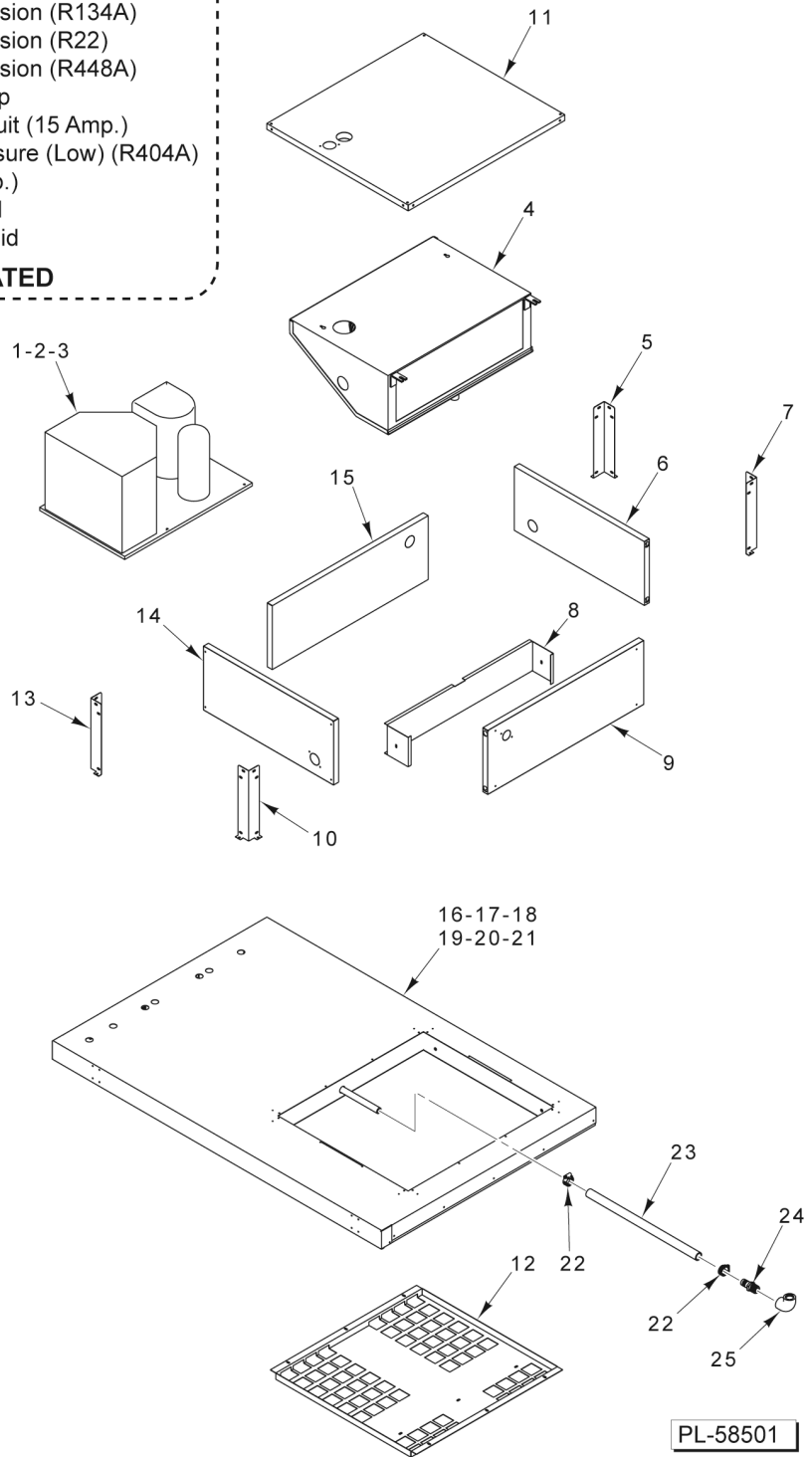
**CONDENSER/EVAPORATOR (RPW1S)**

**CONDENSER/EVAPORATOR (RPW1S)**

ILLUS.	PART NO.	NAME OF PART	AMT.
PL-62294			
1	01-100V24-00140	Condenser, 4850 BTU/HR - R448A (115V/60HZ/1 PH).....	1
2	01-1P2350-00001	Panel - Evaporator Box (Front & Rear Refrigerator Ceiling).....	1
3	01-100V24-00076	Coil - Evaporator (2300 BTU) (Front & Rear Refrigerator Ceiling).....	1
4	01-1P2360-00001	Shroud - Fan (Front & Rear Refrigerator Ceiling).....	1
5	01-1P2361-00001	Bracket - Corner (Front & Rear Refrigerator Ceiling).....	1
6	01-1P2361-00001	Bracket - Corner (Front & Rear Refrigerator Ceiling).....	1
7	01-1P2352-00001	Panel - Evaporator Box (Side) (Front & Rear Refrigerator Ceiling).....	1
8	01-1P2351-00001	Panel - Evaporator Box (Front) (Front & Rear Refrigerator Ceiling).....	1
9	01-1P2502-00004	Panel - Ceiling (Rear) (RPW1S) (All Depths).....	1
10	01-1P2502-00010	Panel - Ceiling (Front) (RPW1S) (80, 100, 120 Deep).....	1
11	01-1P2359-00001	Grill - Refrigeration (Front & Rear Refrigerator Ceiling).....	1
12	01-1P2361-00001	Bracket - Corner (Front & Rear Refrigerator Ceiling).....	1
13	01-1P2361-00001	Bracket - Corner (Front & Rear Refrigerator Ceiling).....	1
14	01-1P2351-00001	Panel - Evaporator Box (Front) (Front & Rear Refrigerator Ceiling).....	1
15	01-1000V1-00033	Clamp - Band.....	2
16	01-100V17-00595	Hose (20 In.).....	1
17	01-100V17-00551	Adaptor (Tube to Pipe).....	1
18	01-100V17-00594	Elbow - Barb (PVC).....	1
19	01-100V24-00018	Valve - Expansion (3/8 x 1/2 ODF, R502/R404A).....	AR
20	01-100V24-00020	Valve - Expansion (3/8 x 1/2 ODF, R134A) (Remote Only).....	AR
21	01-100V24-00071	Valve - Expansion (3/8 x 1/2 ODF, R22).....	AR
22	01-100V24-00141	Valve - Expansion (3/8" x 1/2" ODF, 1/8-1/3 Ton) (R448A).....	AR
23	01-1000V6-00312	Switch - Pressure (Low) (R404A).....	1
24	01-100V24-00116	Valve - Expansion 3/8 x 1/2 ODF (R507).....	1
25	01-1000V6-00306	Breaker - Circuit (20 Amp.) (Use With Item 2) (Installed in Control Box).....	1
26	01-1P2729-00001	Relay (30 Amp.) (All Remote Units) (Installed in Control Box).....	1
27	01-100V24-00003	Coil - Solenoid (120 V.).....	AR
28	01-100V24-00006	Valve - Solenoid (3/8).....	AR

- 26 01-100V24-00004 Indicator – Moisture & Liquid
- 27 01-100V24-00005 Filter – Drier
- 28 01-100V24-00018 Valve – Expansion (R502/R404A)
- 29 01-100V24-00020 Valve – Expansion (R134A)
- 30 01-100V24-00071 Valve – Expansion (R22)
- 31 01-100V24-00142 Valve – Expansion (R448A)
- 32 01-1000V5-00073 Bushing - Snap
- 33 01-1000V6-00191 Breaker - Circuit (15 Amp.)
- 34 01-1000V6-00312 Switch – Pressure (Low) (R404A)
- 35 01-1P2729-00001 Relay (30 Amp.)
- 36 01-100V24-00003 Coil - Solenoid
- 37 01-100V24-00006 Valve - Solenoid

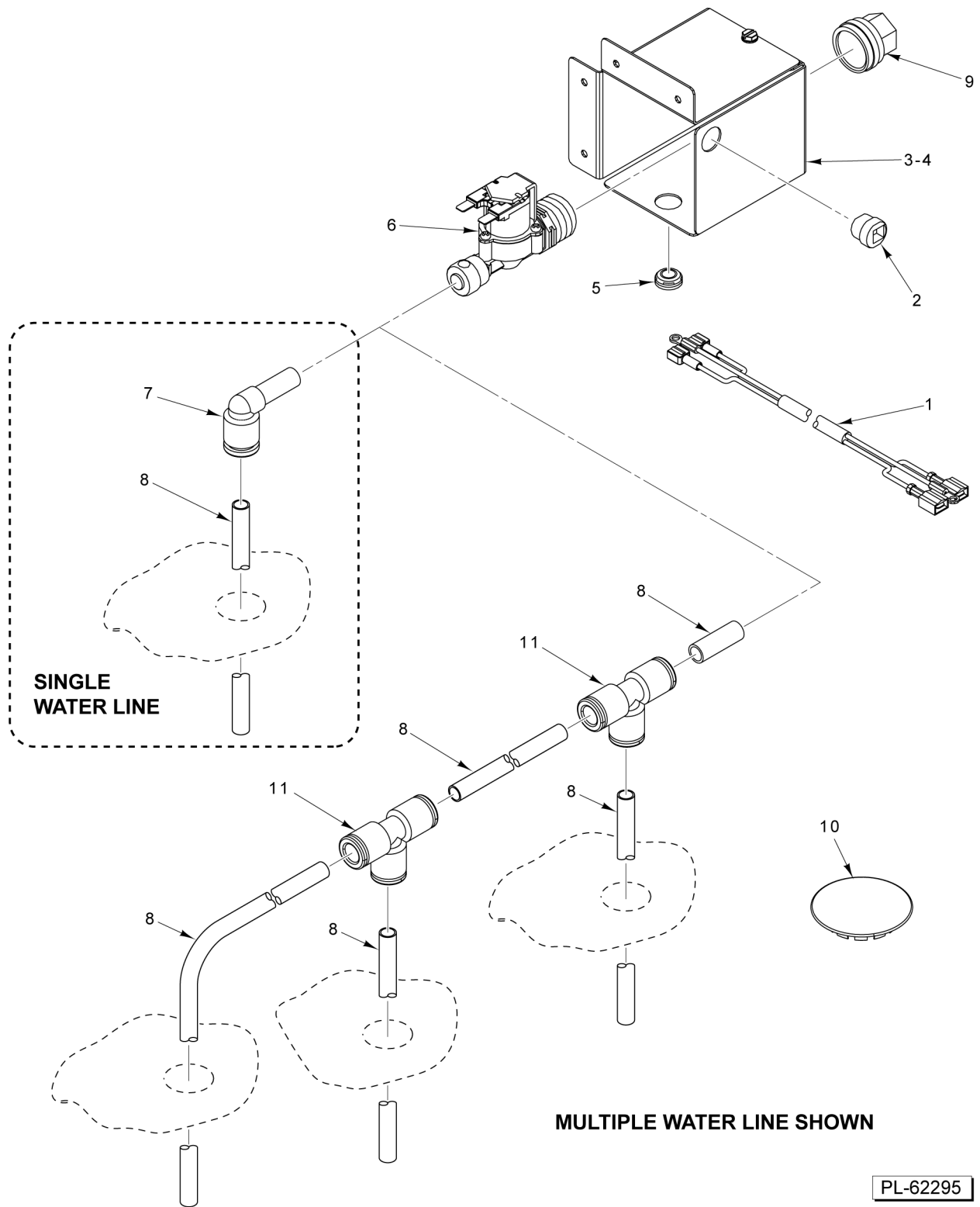
**PARTS NOT ILLUSTRATED**



**CONDENSER/EVAPORATOR  
(RPW2E AND RPW2S)**

**CONDENSER/EVAPORATOR  
(RPW2E AND RPW2S)**

ILLUS. PL-58501	PART NO.	NAME OF PART	AMT.
1	01-100V24-0030C	Condenser (R22) (Rear Supplied Condenser Ceiling Only) (Before Feb. 2010).....	1
2	01-100V24-00107	Condenser (R404A) (After Feb. 2010) NLA - Obsolete.....	1
3	01-100V24-00137	Condenser, 6430 BTU - R448A (60HZ, 1 PH, 208/230V) (Replacement for 01-100V24-00107 after Mar. 2019).....	1
4	01-100V24-00104	Coil - Evaporator, 5500 BTU/HR - Coated (Front & Rear Refrigerator Ceiling).....	1
5	01-1P2361-00001	Bracket - Corner (Front & Rear Refrigerator Ceiling).....	1
6	01-1P2351-00001	Panel - Evaporator Box (Front) (Front & Rear Refrigerator Ceiling).....	1
7	01-1P2361-00001	Bracket - Corner (Front & Rear Refrigerator Ceiling).....	1
8	01-1P2360-00002	Shroud - Fan (Front & Rear Refrigerator Ceiling).....	1
9	01-1P2352-00002	Panel - Front Evaporator Box (Front & Rear Refrigerator Ceiling).....	1
10	01-1P2361-00001	Bracket - Corner (Front & Rear Refrigerator Ceiling).....	1
11	01-1P2350-00002	Panel - Evaporator Box (Front & Rear Refrigerator Ceiling).....	1
12	01-1P2359-00002	Grill - Refrigeration (Front & Rear Refrigerator Ceiling).....	1
13	01-1P2361-00001	Bracket - Corner (Front & Rear Refrigerator Ceiling).....	1
14	01-1P2351-00001	Panel - Evaporator Box (Front) (Front & Rear Refrigerator Ceiling).....	1
15	01-1P2352-00002	Panel - Front Evaporator Box (Front & Rear Refrigerator Ceiling).....	1
16	01-1P2302-00004	Panel - Ceiling (Rear) (RPW2E) (Before Feb. 2010).....	1
17	01-1P2505-00004	Panel - Ceiling (Rear) (RPW2E) (All Depths) (After Feb. 2010).....	1
18	01-1P2505-00010	Panel - Ceiling (Front) (RPW2E) (80, 100, 120 Deep) (After Feb. 2010).....	1
19	01-1P2305-00004	Panel - Ceiling (Rear) (RPW2S) (Before Feb. 2010).....	1
20	01-1P2508-00004	Panel - Ceiling (Rear) (RPW2S) (All Depths) (After Feb. 2010).....	1
21	01-1P2508-00010	Panel - Ceiling (Front) (RPW2S) (80, 100, 120 Deep) (After Feb. 2010).....	1
22	01-1000V1-00033	Clamp - Band.....	2
23	01-100V17-00595	Hose (20 In.).....	1
24	01-100V17-00718	Adaptor - Barb NPT (PVC).....	1
25	01-100V17-00717	Elbow 90 Deg. (PVC).....	1
26	01-100V24-00004	Indicator - Moisture & Liquid (Supplied Condenser Ceilings Only) (Feb. 2010 thru Mar. 2019).....	1
27	01-100V24-00005	Filter - Drier (Supplied Condenser Ceilings Only) (Feb. 2010 thru Mar. 2019).....	1
28	01-100V24-00018	Valve - Expansion (3/8 x 1/2 ODF, R502/R404A) (Supplied Condenser Ceilings Feb. 2010 thru Mar. 2019) (Remote after Feb. 2010).....	AR
29	01-100V24-00020	Valve - Expansion (3/8 x 1/2 ODF, R134A) (Remote Only).....	AR
30	01-100V24-00071	Valve - Expansion (3/8 x 1/2 ODF, R22) (Remote Only).....	AR
31	01-100V24-00142	Valve - Expansion - w/External Equalizer (3/8" x 1/2" ODF, 1/2-2/3 Ton) (R448A).....	AR
32	01-1000V5-00073	Bushing - Snap.....	1
33	01-1000V6-00191	Breaker - Circuit (15 Amp., 120/240 V.).....	1
34	01-1000V6-00312	Switch - Pressure (Low/High) (Use With Item 2) (Feb. 2010 thru Mar. 2019).....	1
35	01-1P2729-00001	Relay (30 Amp.) (All Remote Units) (Installed in Control Box).....	1
36	01-100V24-00003	Coil - Solenoid (120 V.).....	AR
37	01-100V24-00006	Valve - Solenoid (3/8).....	AR



**EXTERIOR WATER SUPPLY**

**EXTERIOR WATER SUPPLY**

ILLUS.	PART NO.	NAME OF PART	AMT.
PL-62295			
1	01-1P2946-00001	Harness - Water Solenoid.....	1
2	01-1000V5-00002	Bushing - Strain Relief.....	1
3	01-1P2945-00101	Bracket - Solenoid Mounting.....	1
4	01-1P2945-00102	Bracket - Mounting.....	1
5	01-100V15-00057	Grommet.....	1
6	01-100V17-00829	Valve - Solenoid.....	1
7	01-100V17-00821	Elbow - Push-to-Connect (1/4 x 1/4).....	1
8	01-100V17-00813	Tube - Nylon 1/4 In. Dia.....	AR
9	01-100V17-00830	Adapter - Hose to Pipe 3/4 GHTF x 1/2 NPTF.....	1
10	01-100V15-00078	Plug - Dome (1.5 In.) (Black Plastic).....	AR
11	01-100V17-00823	Tee, Push to Connect 1/4 In. Tubing (Multiple Duct Units).....	AR

