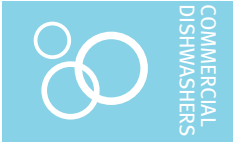




Project _____
 AIA # _____ SIS # _____
 Item # _____ Quantity _____ C.S.I. Section 114000



**PW20n-BAS
 BASE Electric
 High Temperature
 Pot, Pan & Utensil Washer**



SPECIFIER STATEMENT

Specified dishwasher will be Hobart PW20n-BAS-2WAL base electric high temperature Pot/Pan/Utensil Washer, front loading with split door design, (20) pan capacity, delime notification, touchscreen controls with WiFi connectivity, NSF pot and pan rating for 2, 4, & 6-minute cycles, up to (20) cycles/hour, includes: (2) flat grids, (2) tray racks & (1) heavy duty roll-in rack, high temperature sanitizing with Sense-A-Temp™ 70° rise booster, pumped drain, 2.35 gallons per cycle, pumped final rinse, stainless steel construction, X-shaped upper & lower wash arms, service diagnostics, 208/240v/60/3-ph & 480v/60/3-ph.

1 year parts and labor warranty.

STANDARD FEATURES

- + Timed wash cycles; cycles per hour: 20 (2 minute wash), 12 (4 minute wash), 8 (6 minute wash)
- + 2.35 gallons of water per cycle
- + NSF pot and pan rating for 2, 4, & 6-minute cycles
- + Delime notification
- + Hot water sanitization machine
- + Sense-A-Temp™ booster heater capable of 70° rise
- + External rack holder
- + Front loading, split-door configuration
- + Chamber accepts 20 full-sized sheet pans, or 140 quart mixing bowl
- + Stainless steel deep drawn tank
- + X-shaped revolving, interchangeable upper and lower anti-clogging wash arms
- + Revolving, interchangeable upper and lower rinse arms
- + Removable stainless steel strainer pans and scrap basket
- + User-friendly smart touchscreen controls
- + WiFi connectivity
- + SmartConnect app and cloud with machine status, temperature logs, error code reporting, and cost, consumption and usage analysis
- + Service diagnostics
- + 3rd party power supply for chemical feeder
- + Temperature alerts and lock outs (field activated)
- + Pumped drain
- + Automatic fill
- + Pumped rinse
- + Scheduled fill time and scheduled drain time (field activated)
- + 33.79"H x 49.61"W door opening
- + Rack size: 48.8"W x 27.61"D x 4.81"H

OPTIONS & ACCESSORIES (Available at extra cost)

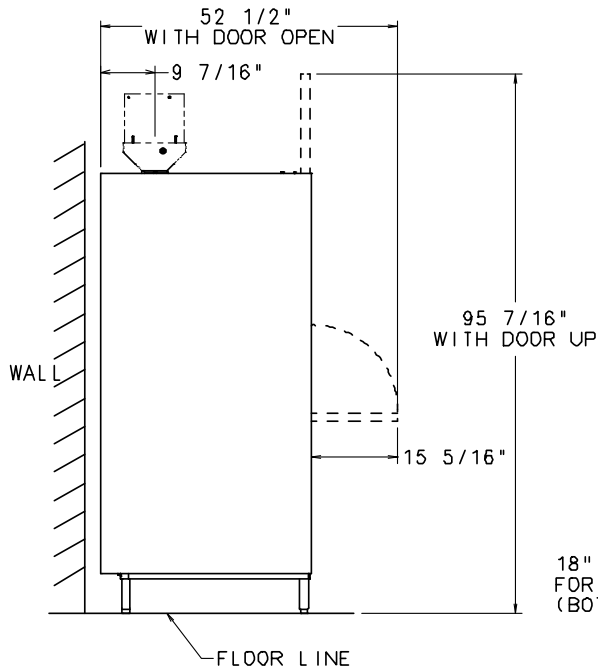
- Drain water tempering kit
- Steam pan rack (capacity for two racks)
- Door height lowering kit
- 12 pan rack
- Water hammer arrestor kit
- Spray hose (8')
- Powered vent fan kit
- Seismic feet with holes
- Flange feet for weld down
- Pumped drain air gap
- Combination rack

PWn SERIES – PW20n-BAS BASE Electric

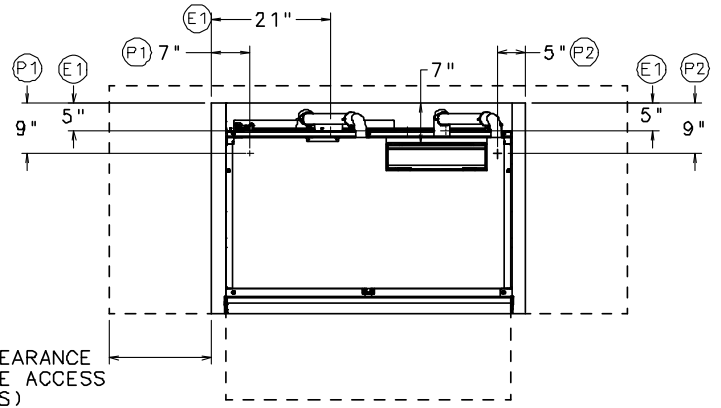
Approved by _____ Date _____ Approved by _____ Date _____



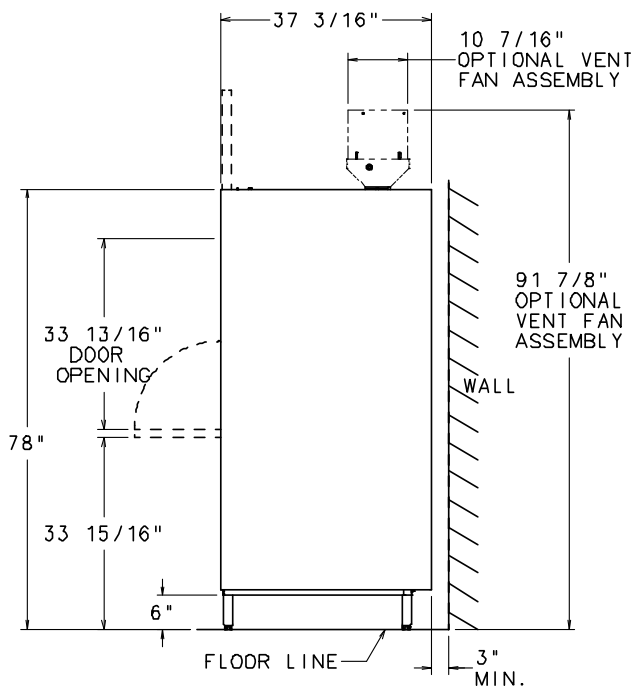
PW20n-BAS BASE Electric High Temperature Pot, Pan & Utensil Washer



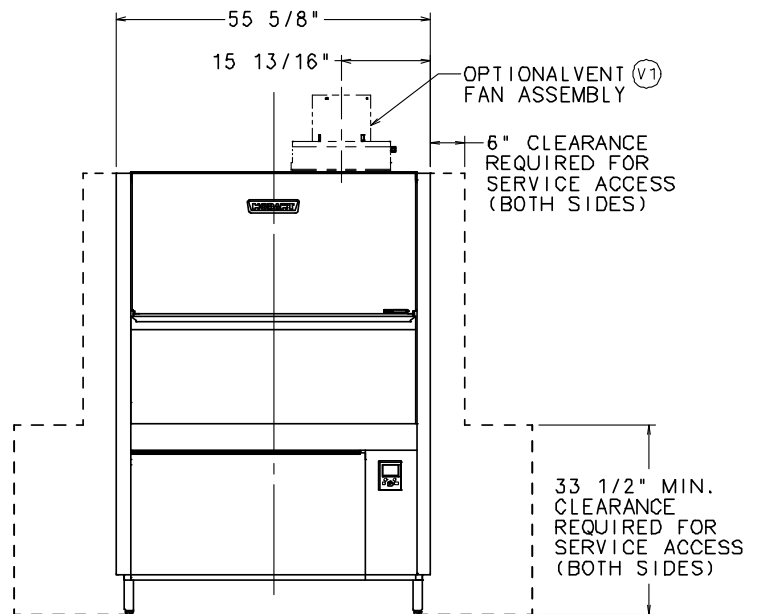
Right Side View



Top View



Left Side View



Front View

MODEL:
PW20n-BAS
01-605368
REV A1





PW20n-BAS BASE Electric High Temperature Pot, Pan & Utensil Washer

LEGEND

Electrical Connections	
E1	Electrical connection (including electric heat): 1-7/8" and 2" conduit hole, 7" AFF. Two optional locations.
Plumbing Connections	
P1	Hot water connection incoming: 110°F water minimum. 3/4" female garden hose fitting on 9' long hose supplied with machine. 8" AFF.
P2	Drain connection: 7/8" barb fitting, 28" AFF. 8' long 5/8" hose supplied with machine.
P3	Cold water connection at P2 (when optional drain water tempering kit is included: 55–80°F recommended water, 3/4" female garden hose fitting, 8" AFF.
Ventilation Connections	
V1	Vent exit: 4-9/16" x 17-3/8" exhaust (standard). Do not connect directly to exhaust to prevent heat loss out of unit. Optional powered vent assembly 10-7/16" diameter.

WARNING: Electrical and grounding connections must comply with the applicable portions of the National Electrical Code and/or other local codes.

Plumbing connections must comply with applicable sanitary, safety and plumbing codes. Drain and fill line configurations vary, some methods are shown on this drawing.

Ventilation connections must comply with International Mechanical Code and/or other local codes.

Plumbing Notes

Required minimum flowing water pressure to the dishmachine in 15 PSIG. If pressures higher than 65 PSIG are present, a pressure regulating valve may be installed in the water line to the dishmachine (by others).

Recommended water hardness to be 3 grains or less for best results. Pressure gauge not required on pumped rinse machine.

Miscellaneous Notes

Backflow prevention provided by NSF-approved air gap device.

Single point electrical connection machine.

All dimensions taken from floor line may increase 1-1/2" depending on leg adjustment.

For optimal performance, Hobart recommends maintaining a dishroom temperature of 65°F (18°C) or higher, as lower temperatures may hinder the machine's capacity to operate effectively (with lower performance as ambient temperature decreases).

SPECIFICATIONS

Capacities

Wash Time Settings (minutes) 2, 4, 6
Cycles per Hour
 20 (2 min. wash), 12 (4 min. wash), 8 (6 min. wash)
Tank Capacity – Gallons 34

Motor Horsepower

Wash (2x) 4.0
Rinse (2x) 0.36
Drain 0.21

Water Consumption

U.S. Gallons per Cycle 2.35
U.S. Gallons per Hour (maximum use) 44.6
Peak Drain Flow – U.S. Gallons (gallons per minute) 21.0

Temperatures °F

Wash 150
Rinse 180

Heating

Tank Heat, electric (kW) 16.4
Electric Booster (kW) 16.4

Standard 20" x 20" Rack Complement

Tray Rack (10 pan each) 2
Flat Grid 2
Flat Bottom 1

Shipping Weight (approximate) 705 lbs.
Crated Dimensions 80"H x 58-3/4"W x 40-3/4"D

Electrical Specifications			
Voltage	Rated Amps	Minimum Supply Circuit Ampacity	Maximum Protective Device
208/60/3	60.2	70	70
240/60/3	65.5	80	80
480/60/3	36.7	45	45

Dishmachine not provided with internal GFCI protection.

Approximate Heat Gain to Space with Vent Hood	
Latent	Sensible
14,900	6,400

As continued product improvement is a policy of Hobart, specifications are subject to change without notice.