

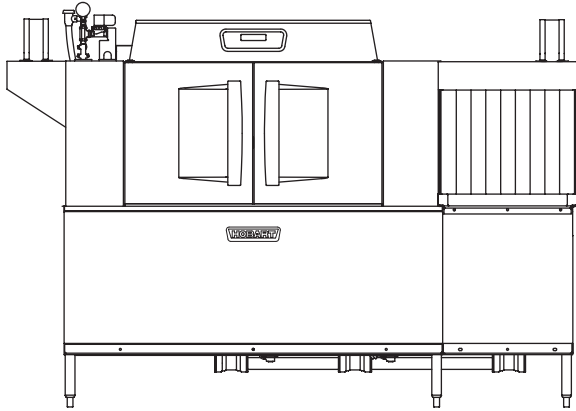


Project _____
 AIA # _____ SIS # _____
 Item # _____ Quantity _____ C.S.I. Section 114000



CLCS86eN-BAS STEAM

High Temperature Corner Scrapper Rack Conveyor Dishwashing Machine



SPECIFIER STATEMENT

Specified dishwasher will be Hobart CLCS86eN Base steam tank heat model with corner scrapper and Opti-Rinse™. Includes 342 racks per hour capacity, 22" power scrapper, insulated ergonomic cabinet style doors, dirty water indicator, configurable "intelligent" de-lime notification, top mounted computer controls, and NSF approved pot and pan cycle mode. The wash tank utilizes durable precision pressure sensor monitors in lieu of conventional mechanical floats.

STANDARD FEATURES

- + 342 racks per hour
- + 22" power scrapper plus separate wash and rinse tanks
- + Opti-Rinse™ system
- + Rapid return conveyor drive mechanism
- + Large double door opening for ease of cleaning
- + Doors are insulated & hinged with door interlock switches
- + 19.5" chamber height opening (accepts sheet pans)
- + Top mounted micro-processor control module
- + Energy saver mode (programmable auto-shut down)
- + Dirty water indicator
- + Manager activated low temperature alert
- + NSF rated configurable pot and pan dwell mode
- + Configurable "intelligent" delime notification
- + Service diagnostics
- + Self-aligning wash manifolds
- + Stainless steel anti-clogging wash arms
- + Removable pump intake screen
- + Stainless steel self-draining pump and impeller
- + Single, sloping scrap screen and deep scrap basket
- + Stainless panels enclose perimeter and bottom
- + Door actuated drain closure
- + Convertible hot water or low temp final rinse
- + Vent fan control
- + Booster heater control
- + ENERGY STAR® Certified

OPTIONS & ACCESSORIES (Available at extra cost)

- Standard, short, and extended stainless steel vent hoods
- Internal stainless steel pressure-less 30 kW booster heater field convertible to 15 kW (booster includes PRV)
- External #150 steam booster heater
- Direct drive unloader – adds 38" length. Reference spec F39520 for more details
- Side loader – SL23 adds 23" length, SL30 adds 30" length. Reference specs F40926 and F40927 for more details
- Blower-dryer – adds 33¼" to length. Reference spec F40252 for more details (ships separate from dishmachine, contact Hobart Service for installation)
- Drain water tempering kit (field installed)
- Flanged feet kit (requires two kits)
- Higher than standard chamber (24" opening)
- Table limit switch with 10' wire
- Correctional package (contact Hobart for details)
- Pressure regulator valve (PRV), for use with external booster
- Water shock absorber kit
- Factory-mounted circuit breakers (contact Hobart for details)
- Common electrical connection (see page 4)

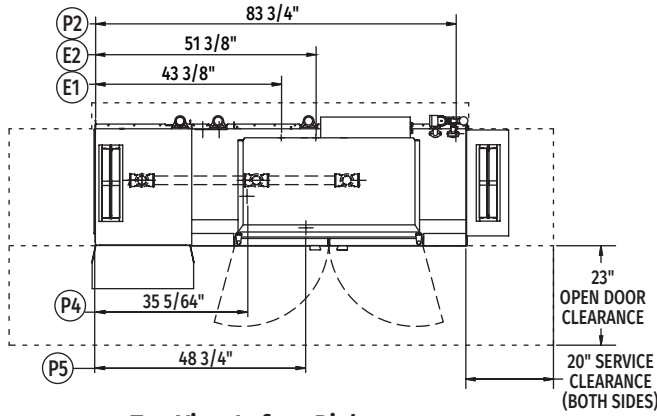
CLEAN SERIES – CLCS86eN-BAS STEAM

Approved by _____ Date _____ Approved by _____ Date _____

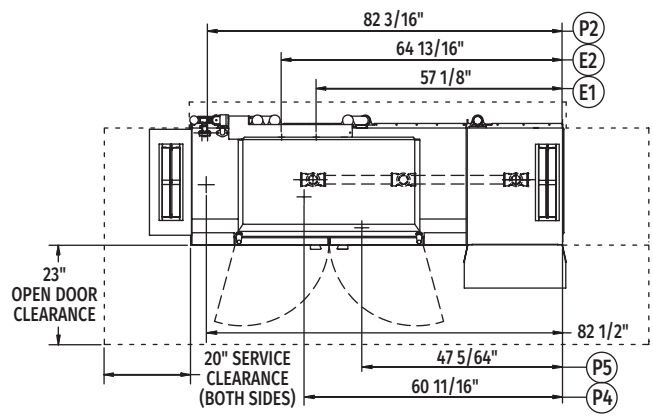


CLCS86eN-BAS STEAM

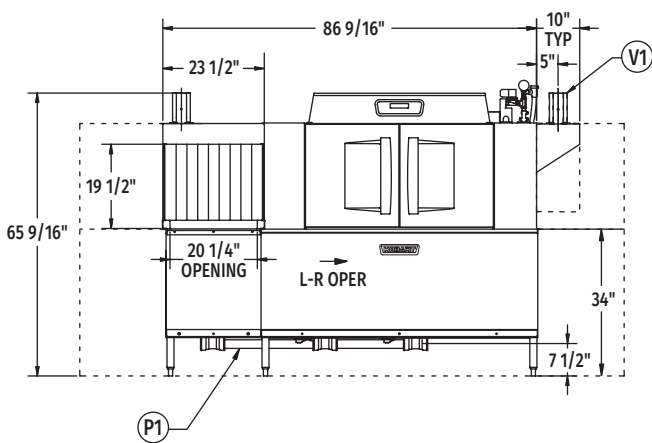
High Temperature Corner Scrapper Rack Conveyor Dishwashing Machine



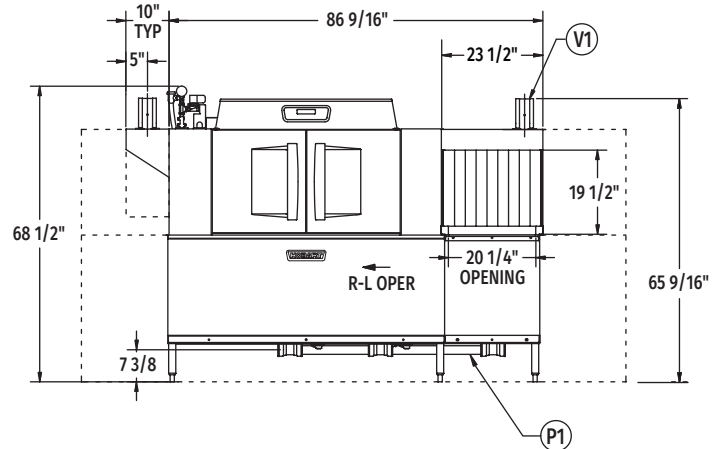
Top View Left to Right



Top View Right to Left



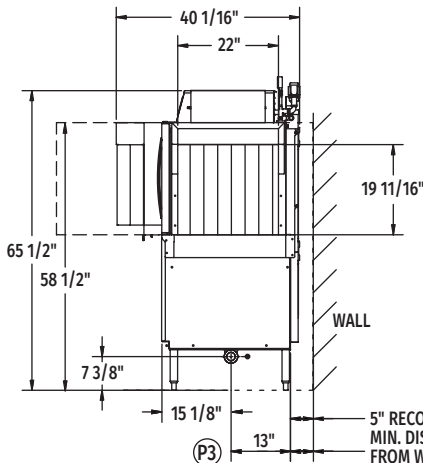
Front View Left to Right



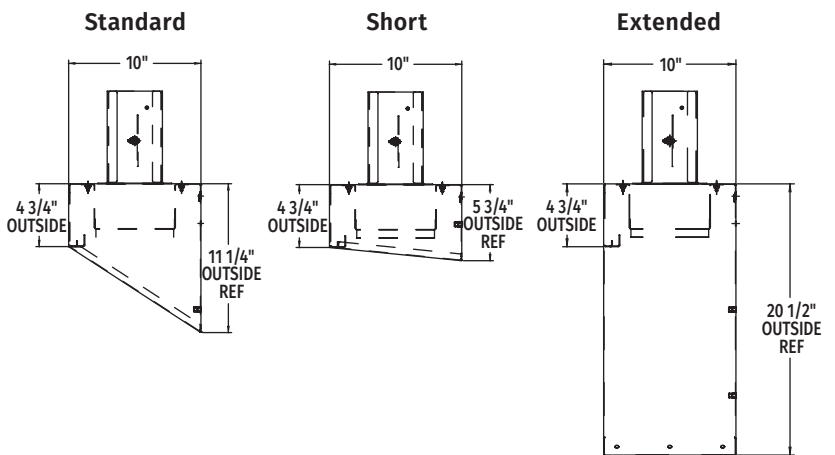
Front View Right to Left

VENT HOOD OPTIONS

(Adjustable, vent stack can be adjusted 1" to either side)



Side View



Reference page 4
for installation drawings



CLCS86eN-BAS STEAM

High Temperature Corner Scrapper Rack Conveyor Dishwashing Machine

LEGEND

Electrical Connections	
E1	Motors and controls 1-1/4" or 2" conduit, 63-3/4" AFF.
E2	Internal electric booster 1-1/4" or 2" conduit, 63-3/4" AFF.
NOTE: Common electrical connection (single point) available, see page 4 for details. Booster information, see page 4.	
Plumbing Connections	
P1	Drain. May be drained to either side of valve, plug opposite side 2" FPT. Recommend a floor drain minimum of 12" from machine for access and maintenance. 7-3/8" AFF.
P2	Hot water. 1/2" FPT connection. 1/2", 11-3/16" AFF. See plumbing notes for required temperatures.
P3	Optional cold water connection for drain water tempering 1/2" FPT, cold water temperature 80°F, maximum 7-3/8" AFF.
Steam Connections	
P4	Steam coils: 10 to 50 PSI flowing, 3/4" FPT, 11-18" AFF.
P5	Condensate return: A 10 PSI minimum differential pressure across the steam trap must be maintained. 3/4" FPT, 11-1/8" AFF one connection. (One bucket type trap furnished).
Vent Connections	
V1	Optional vent hoods, 4" x 16" vent stack with damper.

WARNING: Plumbing and electrical connections should be made by qualified personnel who will observe all the applicable plumbing, sanitary, safety codes and National Electrical Code.

Plumbing Notes: Minimum incoming water temperatures: 110°F for 30kW internal booster, 140°F for 15kW field converted internal booster, 180°F without internal booster. Building flowing water pressure to dish machine is 20 PSI, (+/- 5 PSI). For non-booster machines, a PRV with internal expansion bypass is required.

Steam Heat Only: Flowing steam pressures above 50 PSI must have a pressure regulator (by others) installed in the steam line.

Shut off valve must be supplied (by others) in the steam line to the dish machine.

SPECIFICATIONS

Capacities

Racks per Hour (NSF rated)	342
Wash Tank (U.S. gallons)	23
Rinse Tank (U.S. gallons)	22
Power Scrapper (U.S. gallons)	23
Conveyor Speed (feet per minute)	9.5

Motor Horsepower

Drive	1/6
Wash2
Power Scrapper2
Rinse2

Water Consumption

U.S. Gallons per Hour (maximum use at 20 PSI)	132
U.S. Gallons per Rack	0.39
Peak Drain Flow (U.S. gallons per minute)	38

Heating

Tank Heat, steam coils (pounds per hour)	130
Optional Electric Booster (built-in) (kW for 40°F rise)	15
Optional Electric Booster (built-in) (kW for 70°F rise)	30
Optional Steam Booster (external) (pounds per hour)	63
(If used on 20 PSI steam, 20 PSI water flowing, 130°F entering water raised to 180°F minimum)	

Venting

Load End (minimum CFM)	200
Unload End (minimum CFM)	400

Shipping Weight (approximate) 991 lbs.

Crated Dimensions. 96"L x 38"W x 78"H

E1	Electrical Connection (3 PH only) Motor, Power Wash Tank and Controls			
	Voltage	Rated Amps	Minimum Supply Circuit Ampacity	Maximum Protective Device
	208/60/3	24.1	35	35
	240/60/3	24.1	35	35
	480/60/3	13.1	20	20
	600/60/3	11.5	15	15

CLCS86eN-BAS Steam Heat Dissipation		
Booster	BTU/HR.	
	Latent	Sensible
Without Booster	36,700	15,700
15kW Booster	50,200	21,500
30kW Booster	63,800	27,300



CLCS86eN-BAS STEAM

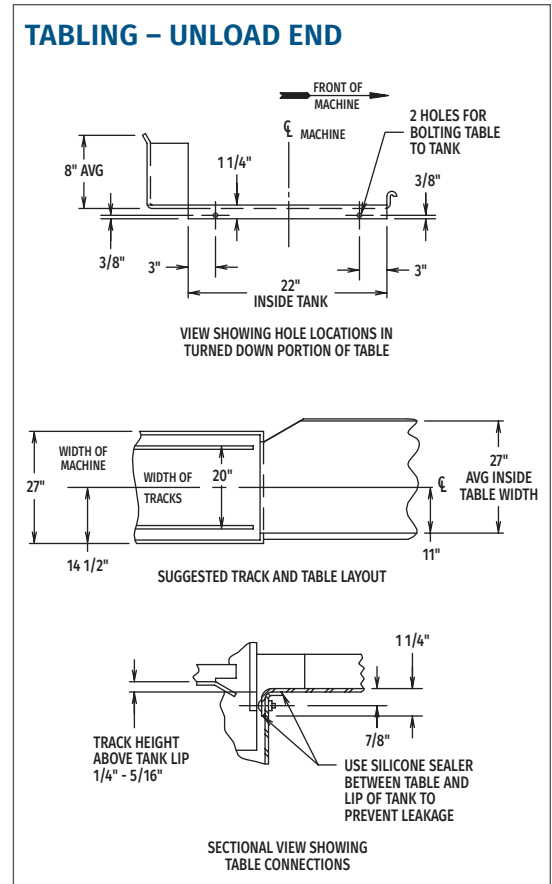
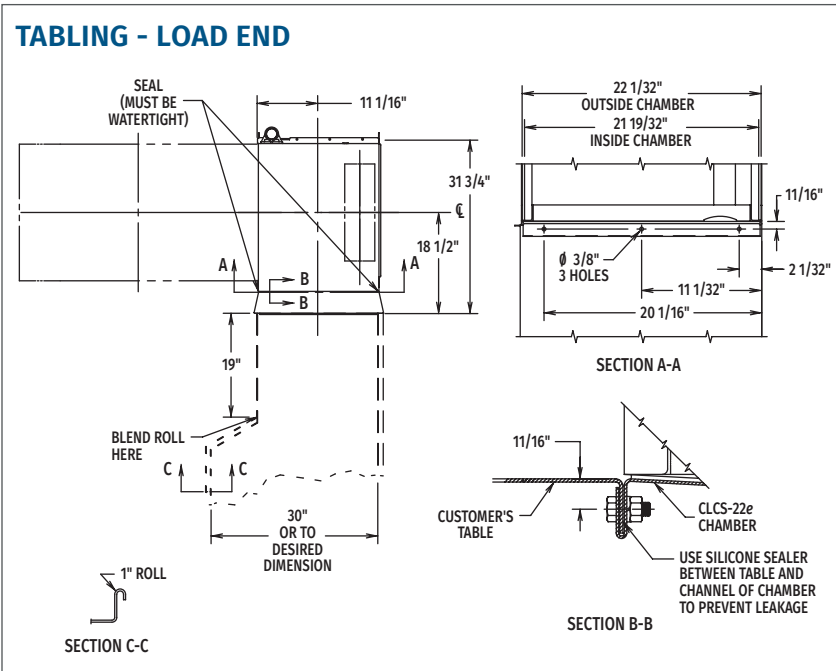
High Temperature Corner Scrapper Rack Conveyor Dishwashing Machine

E2	Booster Heat 30 kW (Standard) Minimum 110°F Incoming Water		
Voltage	Rated Amps	Minimum Supply Circuit Ampacity	Maximum Protective Device
208/60/3	83.9	90	90
240/60/3	80.2	90	90
480/60/3	40.1	50	50
600/60/3	33.7	40	40

E2	Booster Heat 15 kW (Field Convertible) Minimum 140°F Incoming Water		
Voltage	Rated Amps	Minimum Supply Circuit Ampacity	Maximum Protective Device
208/60/3	45.0	60	60
240/60/3	40.1	50	50
480/60/3	20.0	25	25
600/60/3	13.5	20	20

COMMON ELECTRICAL CONNECTION (SINGLE POINT) – CONTACT FACTORY FOR ADDITIONAL INFORMATION

Common Electrical Connection (Includes Motors & Controls, and Electric Booster Heater)						
Voltage	MACHINE AND 15kW BOOSTER			MACHINE AND 30kW BOOSTER		
	Rated Amps	Minimum Supply Circuit Ampacity	Maximum Protective Device	Rated Amps	Minimum Supply Circuit Ampacity	Maximum Protective Device
208/60/3	69.1	90	90	108	125	125
240/60/3	69.1	90	90	108	125	125
480/60/3	33.1	45	45	38.4	60	60
600/60/3	25	35	35	45.2	55	55



As continued product improvement is a policy of Hobart, specifications are subject to change without notice.