



Project _____
 AIA # _____ SIS # _____
 Item # _____ Quantity _____ C.S.I. Section 114000



COMMERCIAL REFRIGERATION
FLEX DRAWER

FLEX DRAWER

Convertible Two Drawer Refrigerator/Freezer



STANDARD PRODUCT FEATURES

- High Quality Stainless Steel Exterior Top, Sides, Drawers & Interior
- Self Contained Refrigeration System
- Environmentally Friendly R-290 Refrigerant
- Automatic Non-Electric Condensate Evaporator
- Magnetic Snap-In EZ-Clean Drawer Gasket(s)
- Drawer Temperature Changes from Refrigerator to Freezer at a Touch of a Button
- Each Individual Drawer Can Run at Different Temperature Settings
- Fully Removeable ABS Drawer Bins for Ease of Cleaning
- Lockable Drawers for Maximum Security
- Each Drawer Accommodates Two (2) Full Size 6" Deep Pans (supplied by others)
- User Friendly Controls with LED Temperature Display
- 8' (2.4m) NEMA Cord & Plug Attached
- Set of Four (4) 2.75" Casters
- 3-Year Parts & Labor Warranty
- 2-Year Additional Compressor Parts Warranty



This unit is listed to the applicable UL, CSA and NSF Standards by an approved NRTL. Consult the factory or unit's data plate for approval information.

Available Configurations

Model TF031D3 **Type** Two Drawer

ACCESORIES & OPTIONS

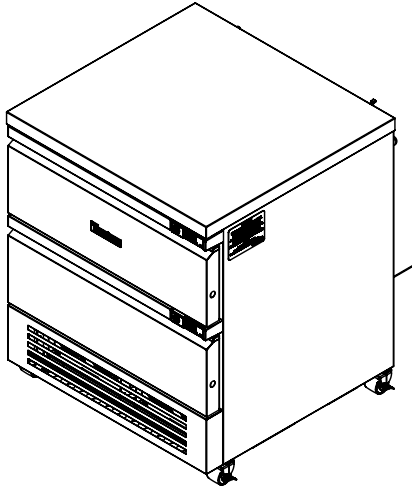
- Set of Four (4) 4" or 6" High Casters in Lieu of Standard Casters
- Set of Four (4) 6" High Legs in Lieu of Standard Casters
- Bin Divider for Drawer

CONTINUED PRODUCT DEVELOPMENT MAY NECESSITATE SPECIFICATION CHANGES WITHOUT NOTICE.

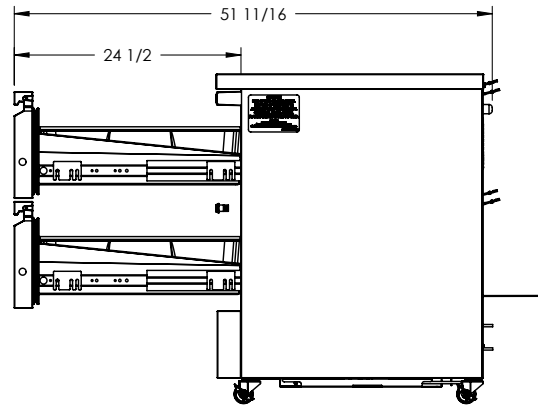
Approved by _____ Date _____ Approved by _____ Date _____



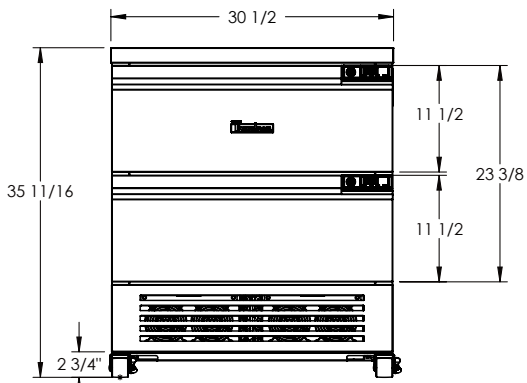
MODEL: TF031D3



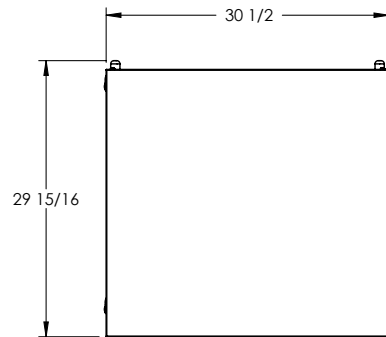
ISOMETRIC



SIDE VIEW



ELEVATION

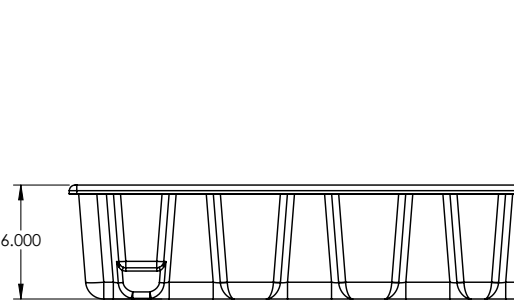


TOP VIEW

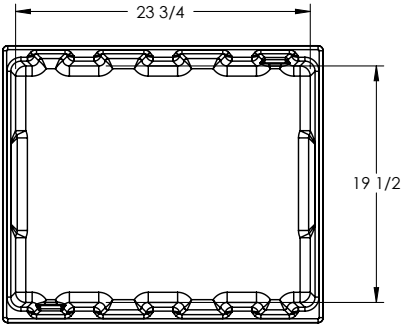
FLEX DRAWER

Convertible Two Drawer
Refrigerator/Freezer

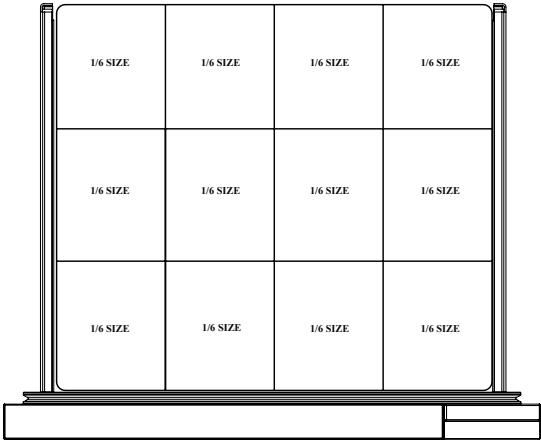
MODEL: TF031D3



BIN FRONT VIEW



BIN TOP VIEW



PAN LAYOUT



FLEX DRAWER

Convertible Two Drawer Refrigerator/Freezer

MODEL

TF031D3

MODEL	TF031D3
CABINET DIMENSIONAL DATA	
Total Volume cu. ft. (l)	5.6 158.6
Storage per Drawer cu. ft. (l)	2.8 79.3
Width-Cabinet in. (cm)	31 78.7
Depth-Drawer Open in. (cm)	52 132.1
# of Drawers	2
ELECTRICAL DATA & REFRIGERATION DATA	
Full Load Amps per Drawer (system)	2.6
Full Load Amps Total	5.2
MDEC ¹ (KWH) per Drawer as Refrigerator	0.6
MDEC ¹ (KWH) per Drawer as Freezer	1.6
Refrigerant	R-290
Refrigerant Charge Amount per Drawer	2.7 oz
Voltage	115/60/1
BTU/HR ² H.P. per Drawer (system)	1131 1/5
BTU/HR ² H.P. Total	2262 2/5
SHIPPING DATA	
Width Crated in. (cm)	50 (127)
Volume Crated cu. ft. (l)	65 (1841)
Weight lbs. (kg) - Crated	350 (159)

EQUIPMENT SPECIFICATIONS

CONSTRUCTION, HARDWARE, INSULATION

Cabinet exterior front, one piece sides, interior, and drawers are constructed of 22 gauge stainless steel. The cabinet exterior back and bottom are constructed of galvanized steel. A set of four (4) 2.75" high casters are included.

Gasket profile simplifies cleaning and increases overall gasket life. Both the cabinet and drawers are insulated with an average of 2" thick high density non-CFC, foamed in place polyurethane insulation.

REFRIGERATION SYSTEM

Two balanced, bottom mounted, self-contained refrigeration systems using environmentally friendly R-290 refrigerant are provided. The two independent refrigeration systems make the two drawers flexibly operate at different temperatures as refrigerator or as freezer. The unit features air cooled hermetic compressors, forced air evaporator coils and non-electric condensate evaporators. An 8' (2.4m) NEMA cord and plug is provided. Standard operating temperature for the refrigerator is 33° to 40°F and -3° to 3°F for the freezer.

CONTROLS

Two (2) easy to use water resistant microprocessor controls are supplied standard. Each includes a 3-Digit LED Display, and a Fahrenheit or Celsius Temperature Scale Display Capability.

DRAWERS

Drawer exterior and frame are constructed of stainless steel. Two (2) fully removeable 6" deep ABS drawer bin are provided. Each drawer accommodates two (2) 6" deep full size food pans (supplied by others).

WARRANTY

Both a three year parts and labor warranty and a five year compressor parts warranty (self-contained models only) are provided standard.

NOTES:

1. MDEC = Maximum Daily Energy Consumption
2. Compressor BTU based on a 90° F ambient and -20° F evaporator.

Equipped with one NEMA 5-15P Plug



CONTINUED PRODUCT DEVELOPMENT MAY NECESSITATE SPECIFICATION CHANGES WITHOUT NOTICE.