



Project _____
 AIA # _____ SIS # _____
 Item # _____ Quantity _____ C.S.I. Section 114000



WPS-1260 WASTE PRO Waste Equipment System



SPECIFIER STATEMENT

The Hobart WPS-1260 Waste Reduction System processes up to 1,100 lbs. of food service waste per hour providing an economic and efficient answer to cutting the high and ever increasing costs associated with waste handling. Hobart Pulping Systems are engineered to reduce food-service waste volume by an 8 to 1 reduction (up to 85%.) Compostable waste enters the pulping tank via the feed tray or scrapping trough where it mixes with water and is ground into a slurry. The slurry is fed to the waterpress for de-watering and the result is a semi-dry pulp discharged into a haul-away container. The extracted water is recirculated to the pulping tank for re-use by the tray or trough.

TECHNICAL SPECIFICATIONS

Pulper:

- + Pulper tank is 30" diameter polished 300 series stainless steel tank weldment, 37" high
- + 13³/₈" diameter stainless steel pulping disc
- + 6 HP TEFC direct drive motor
- + Fabricated stainless steel particle sizing ring, matched to the pulping disc
- + Four carbide stationary shearing cutters mounted on sizing ring to provide shearing action
- + Tubular stainless steel adjustable legs

Water Press:

- + Welded stainless steel construction
- + Stainless steel adjustable legs
- + 2 HP TEFC drive motor
- + 20:1 gear reducer
- + 3HP TEFC recirculating pump
- + Chemical pump
- + 6" stainless steel auger with nylon brush edge
- + Reinforced stainless steel screens
- + Automatic shutdown timer
- + Automatic rinse system
- + Discharge chute with safety switch

Valve Package:

- + All valves required for operation including fresh water, return and drain lines.

Control Panel:

- + Prewired wall mount electrical control panel
- + NEMA 4 stainless steel enclosure
- + Magnetic-type motor contactors
- + Overload protection
- + Nominal 115 volt and 24 volt control circuit wiring
- + Junction box with terminal strips mounted on waterpress for easy access
- + Separate Start-Stop push-button station
- + Programmable logic controller

OPTIONS

- Under dish table unit
- Trough feed connection 9" or 12" wide
- Water flushed feed tray
- Feed tray cover
- Prison package
- Vibration pads
- Side mounted trough magnets
- Flanged feet

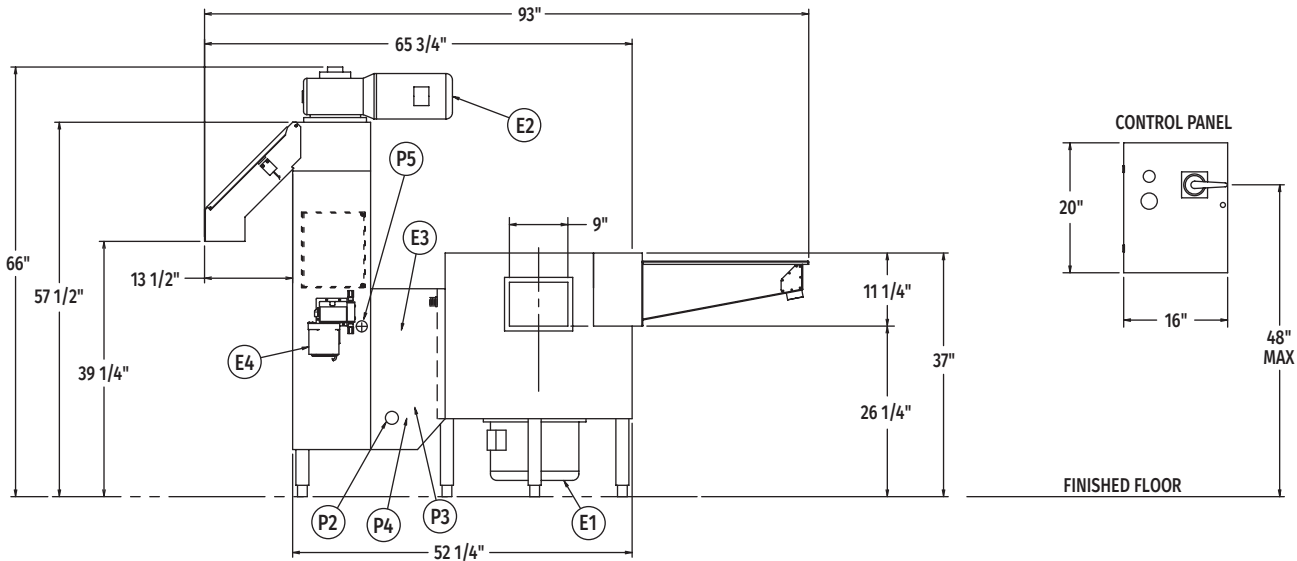
VOLTAGE OPTIONS

- 208/60/3
- 230/60/3
- 460/60/3
- International options available, consult factory

WPS-1260 WASTE PRO WASTE EQUIPMENT SYSTEM

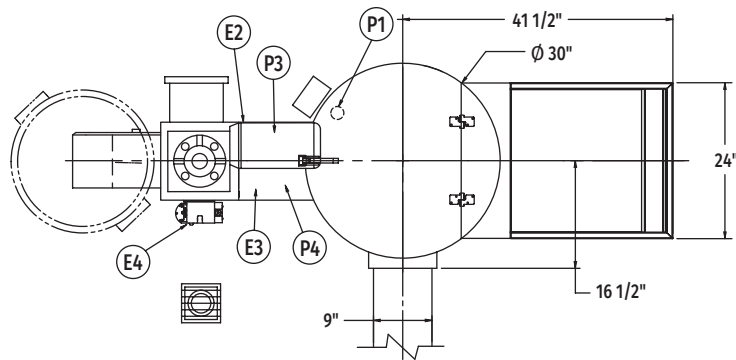
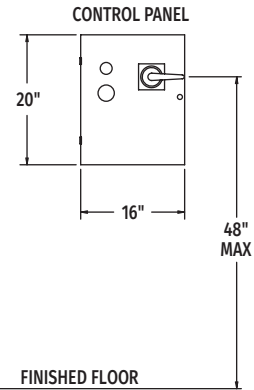
Approved by _____ Date _____ Approved by _____ Date _____

DETAILS AND DIMENSIONS

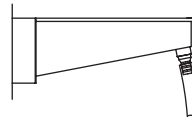


WPS-1260 ELEVATION VIEW

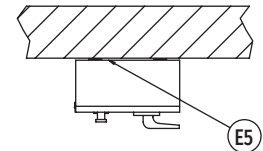
MODEL:
WPS1260
FS OPERATION
E-974558
REV B



WPS-1260 PLAN VIEW



OPTIONAL FEED TRAY
VIEW A-A



WALL MOUNTED CONTROL BOX
(ELECTRICAL CONDUIT HOLES TO BE
ADDED AT TIME OF INSTALLATION)
MOUNT BOX 48" AFF. MAX (AT HANDLE)
LOCATION TO BE DETERMINED BY
INSTALLER & NEC/LOCAL CODES

WARNING: Electrical and grounding connections must comply with the applicable portions of the National Electrical Code and/or other local electrical codes.

Plumbing connections must comply with applicable sanitary, safety and plumbing codes.

Power Supply	Pulper Motor	Return Pump Motor	Water Press Motor	Rated Amps	Minimum Supply Circuit Conductor Ampacity
208/60/3	6 H.P.	3 H.P.	2 H.P.	32.3	40
230/60/3	6 H.P.	3 H.P.	2 H.P.	29.6	35
460/60/3	6 H.P.	3 H.P.	2 H.P.	15.8	20

LEGEND

Electrical Connections	
E1	Pulper drive motor.
E2	Waterpress drive motor.
E3	Return pump motor.
E4	Chemical additive pump.
E5	Electrical junction box wired by others from control panel.
Plumbing Connections	
P1	Drain valve outlet connection (pipe to floor sink), 2" NPT (male), 4" AFF.
P2	Return water outlet connection, 1-1/2" FPT (male), 14" AFF.
P3	Fresh cold water inlet connection, 1/2" FPT (female), 13" AFF.
P4	Fresh hot water inlet connection, 1/2" FPT (female), 13" AFF.
P5	Overflow outlet connection, 1-1/2" NPT (female), 27" AFF.



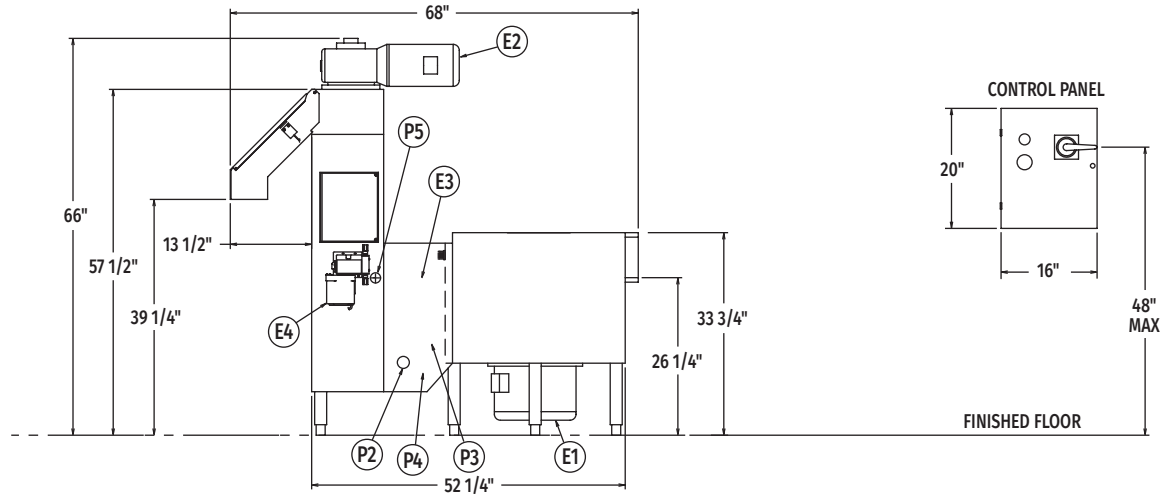
WPS-1260 WASTE PRO

Waste Equipment System

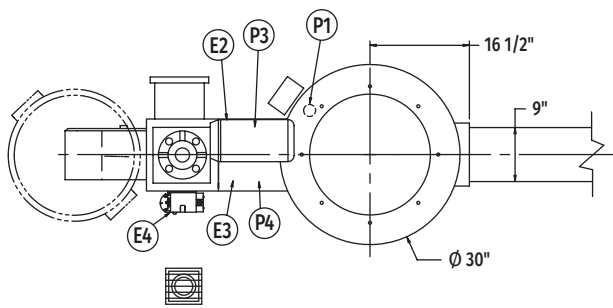
(Undercounter Models)

MODEL:
WPS1260
UC OPERATION
E-974559
REV B

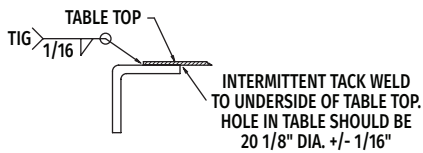
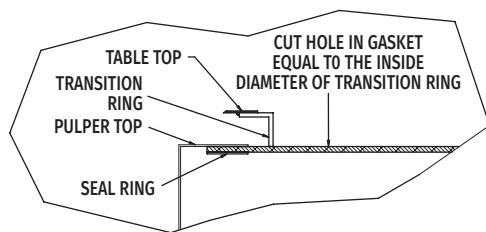
DETAILS AND DIMENSIONS



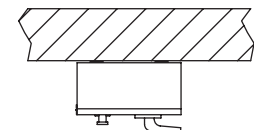
WPS-1260 ELEVATION VIEW (UNDER COUNTER)



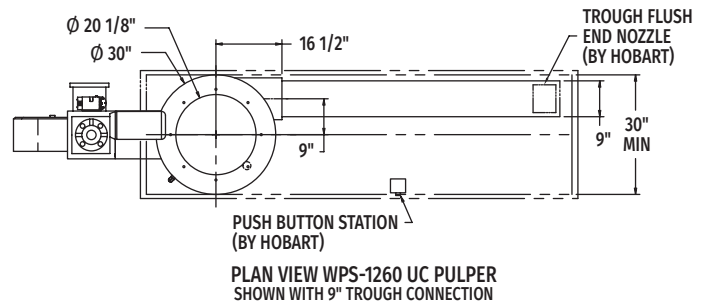
WPS-1260 PLAN VIEW (UNDER COUNTER)



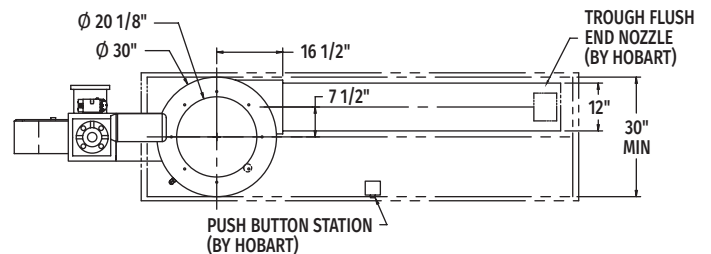
DETAIL "A" - TRANSITION RING ATTACHMENT TO TABLE BY APPLICABLE CONTRACTOR



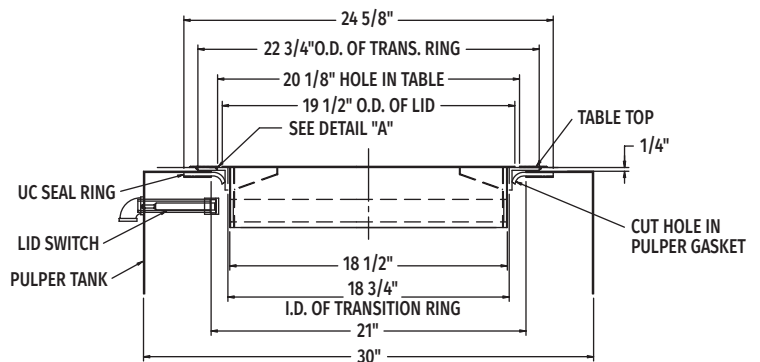
WALL MOUNTED CONTROL BOX
(ELECTRICAL CONDUIT HOLES TO BE ADDED AT TIME OF INSTALLATION)
MOUNT BOX 48" AFF. MAX (AT HANDLE)
LOCATION TO BE DETERMINED BY INSTALLER & NEC/LOCAL CODES



PLAN VIEW WPS-1260 UC PULPER SHOWN WITH 9" TROUGH CONNECTION



PLAN VIEW WPS-1260 UC PULPER SHOWN WITH 12" TROUGH CONNECTION



THE UC GASKET IS HELD TO THE UNDERSIDE OF THE PULPER TOP BY THE TWO HALVES OF THE TOP SEAL RING AND WELD STUDS. ELEVATE THE PULPER UNTIL THE GASKET IS IN CONTACT WITH THE BOTTOM EDGE OF THE UC TRANSITION RING. FROM THE INSIDE OF THE PULPER, CUT A HOLE IN THE GASKET USING THE TRANSITION RING AS A GUIDE (ROUGHLY 18 3/4 DIA.) ELEVATE THE PULPER THE REMAINDER OF THE WAY SINKING THE TRANSITION RING INTO THE HOLE IN THE GASKET.

UNDER COUNTER MOUNTING DETAIL



WPS-1260 WASTE PRO Waste Equipment System

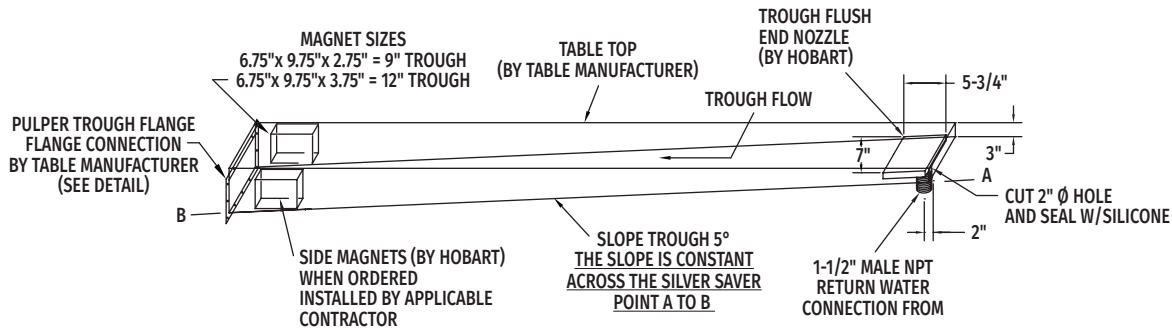
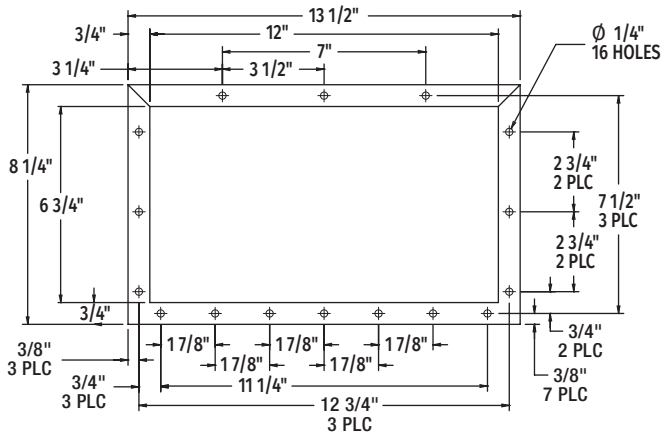
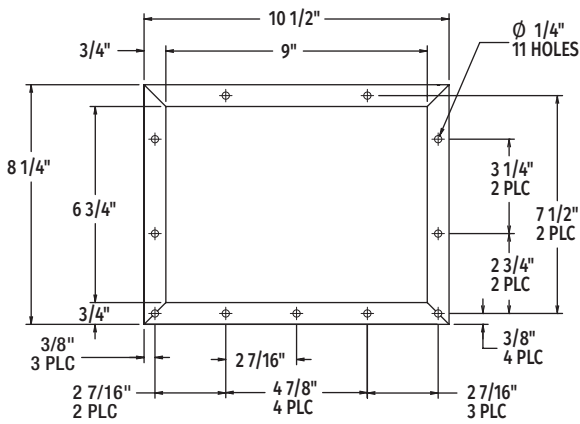
BENEFITS OF WASTE EQUIPMENT

- Up to 88% reduction of waste volume.
- Savings on water usage.
- Reduced sewer costs.
- Labor Savings:
 - Reduction in man hours to haul waste to pick-up area.
 - Eliminates the need to sort paper from food waste.
 - Dishwashing labor reduced by speeding up the scrapping operation.

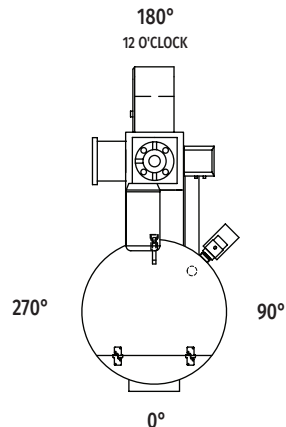
- Reduction in solids discharged to sewer lines as compared to a food waste disposer.

* Based on foodservice waste mix of 41% food soil, 32% free liquid, 10% paper, 11% cardboard, 2.2% polystyrene, 1% film, 1% miscellaneous, 1% polypropylene (e.g. straws). Always consult your local Hobart representative to review and verify the content of your waste mix.

TABLE TROUGH CONNECTION FLANGES



RECOMMENDED PULPER TROUGH DETAIL
TROUGH TO BE SUPPLIED BY APPLICABLE CONTRACTOR



SPECIFIC LAYOUT TO BE DETERMINED BY FACTORY



DETAILS AND DIMENSIONS

General Notes:

1. All dimensions taken from floor line may be increased or decreased by 3/4".
2. Electrical control panel, by Hobart, should be located within sight of pulper and be easily accessible.
3. Approximate shipping weight: 1,175 lbs.

Plumbing Notes:

1. Customer to provide piping from fresh water supply (hot & cold) to pulper and from pulper drain line to floor sink or floor drain (4" minimum drain recommended).
Recommended building flowing water pressure to the pulper is 30 PSIG minimum (18 GPM).
If fresh water supply pressure is higher than 45 PSIG, a pressure regulating valve must be installed in the water line (by others).
2. Trough return water piping to be type L copper, schedule 40 galvanized or equivalent (PVC piping not acceptable).
3. Terminate fresh water line and trough connections with union or flange type fitting.
4. Hot and cold water hose bibs (for daily cleaning of unit), to be installed clear of but accessible to unit, with a heavy duty hose and squeeze valve. (Supplied by others).
5. Floor drain or floor sink (according to local code requirements), to be kept clear of, but accessible to the unit.
6. Protect all equipment and related piping from freezing temperatures and condensation.
7. Plumbing must run uphill to trough connection.
8. No external strain to be exerted on Hobart equipment.

Electrical Notes:

1. Electrical control panel is a surface mounted enclosure available in NEMA 4 (SST), closed coupled (16"x20"x8").
2. Each electrical control panel is prewired from the factory and contains the following items:
 - (A) Main circuit breaker (thermal magnetic) interlocked with door handle.
 - (B) Magnetic controller with overcurrent protection for each motor.
 - (C) Step-down transformer for 115 volt (nominal) control circuit operation.
 - (D) All controls designed to meet the requirements of UL-508.
3. Control circuit to be 115 VAC nominal.
4. All control panels are to be wired in accordance to local, state and/or national electrical code specifications.
5. Remote push button station to be mounted & wired at workstation by others. (Bracket supplied by others.)
6. Remote push button station houses two (2) illuminated push buttons.
7. Equipment drive motors are provided as follows:
 - (A) Pulper drive motor is totally enclosed, fan cooled.
 - (B) Recirculating pump motor is totally enclosed, fan cooled.
 - (C) Waterpress motor is totally enclosed, fan cooled.
8. Customer to provide all interconnecting wiring from prewired electrical control panel to prewired terminal blocks, electrical wiring diagram provided with each pulper.