



# C-SERIES

## 2-SECTION COMPACT 4-DRAWER FORCED-AIR PREP TABLE



Project Name:	Location:	AIA #:	
Item #:	Qty:	Model #:	SIS #:

### C-SERIES - STAINLESS STEEL EXTERIOR & INTERIOR



Representative, 48" wide solid door model shown

### 60" WIDE MODEL CLST-6016-DW

### SPECIFICATIONS

DIMENSIONAL DATA	
1/6 Pans (top)	16
Length in.	60-5/8 (154 cm)
Depth in.	32-3/4 (83.2 cm)
Overall Height in. <sup>2</sup>	35-1/4 (89.5 cm)
ELECTRICAL DATA	
Horsepower <sup>1</sup>	1/5
Amps	2.6
Voltage	115/60/1
NEMA	5-15P
REFRIGERATION DATA	
Refrigerant	R-290
Charge Amount oz.	3.0 (85 g)
BTU	1800

When ordering please specify:  
Voltage and Options



NEMA 5-15P

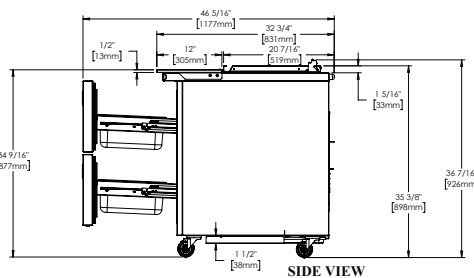
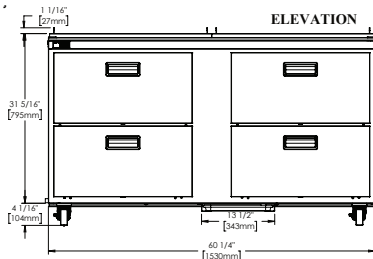
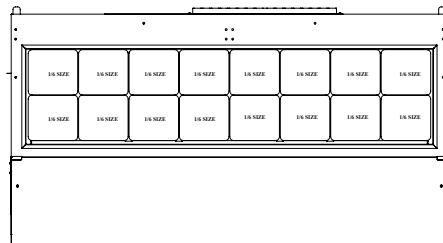
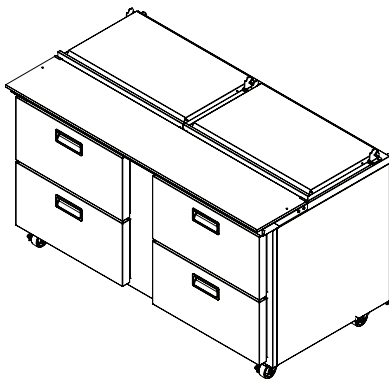
1. Based on 90°F ambient & 20°F evaporator.
2. Overall height includes 4" (10.2 cm) for casters.



Models listed to applicable UL, CSA, and NSF standards by an approved NRTL. Consult the factory or unit data plate for additional information.

Specifications subject to change without notice. Chart dimensions are rounded up to the nearest 1/16" (centimeters rounded up to the nearest tenth).

### PLAN VIEW



Model Height with Lid Open  
45 Degrees: 47-3/8" (120.3 cm)  
67 Degrees: 50-7/8" (129.2 cm)



# C-SERIES

## 2-SECTION COMPACT 4-DRAWER FORCED-AIR PREP TABLE



Project Name:	Location:	AIA #:	
Item #:	Qty:	Model #:	SIS #:

### REFRIGERATION SYSTEM

- Self-contained, side-mounted system uses environmentally friendly, minimal GWP R-290 refrigerant
- Tested to NSF7 standards
- Front-breathing system allows zero-clearance installation
- High performance, balanced system operates at 32-41°F (0-5°C) to maintain consistent, food-safe temperatures
- Chambered, forced-air rail operation
- LED display for microprocessor control is water-resistant
- Capillary tube metering device

### CABINET CONSTRUCTION

- Stainless steel exterior and interior
- Insulated lid
- Drawer exterior, liner and frame are constructed of stainless steel
- Exterior top, back, and bottom is constructed of heavy gauge galvanized steel
- Cabinet is insulated with an average of 2-3/8" (6.03 cm) thick high density, non-CFC foamed-in-place polyurethane
- Full access to pan rail for easy cleaning
- (16) 4" deep 1/6 size polycarbonate pans; rail accommodates up to 6" deep pans
- 12" (30.5 cm) deep, full-length, removable NSF-approved white polyethylene cutting board supplied standard
- A set of (4) 4" (10.2 cm) high casters; all with brakes; factory-installed
- 9' cord & plug provided

### DRAWERS

- Foamed-in-place, recessed handles
- Magnetic, snap-in door gaskets
- Gasket-protecting retainer
- Removable without tools
- Accommodates 6" deep (1) full size pan per drawer; provided by others

### FIELD-INSTALLED OPTIONS

- Single overshelf, 60"W x 18"H x 16"D (CLUCACC-60OSHELF)
- Set of (4) 6" (15.2 cm) legs
- Set of (4) 6" (15.2 cm) casters
- Set of (4) 2-3/4" (7 cm) casters

### WARRANTY

Both a six-year parts and labor warranty, and an additional one-year compressor parts warranty (for a total of seven years) are provided standard

CAD and/or Revit Files Available

<https://traulsen.klccad.com>

Approved by:	Approved by:	Date:
--------------	--------------	-------